



US00D372514S

United States Patent [19]

Kaneko et al.

[11] Patent Number: **Des. 372,514**

[45] Date of Patent: ****Aug. 6, 1996**

[54] **LINE ROLLER FOR A SPINNING FISHING REEL**

[75] Inventors: **Kyoichi Kaneko; Eiji Shinohara**, both of Higashikurume, Japan

[73] Assignee: **Daiwa Seiko, Inc.**, Higashikurume, Japan

[**] Term: **14 Years**

[21] Appl. No.: **29,010**

[22] Filed: **Sep. 27, 1994**

[30] **Foreign Application Priority Data**

Jun. 15, 1994 [JP] Japan 6-17598
Jul. 22, 1994 [JP] Japan 6-22187

[52] **U.S. Cl.** **D22/137**

[58] **Field of Search** D22/141, 137, D22/138; 242/230, DIG. 2, 231, 232, 233, 157 R

[56] **References Cited**

U.S. PATENT DOCUMENTS

D. 296,812 7/1988 Fabry D22/137

FOREIGN PATENT DOCUMENTS

479103 2/1978 Japan .
693545 8/1986 Japan .

OTHER PUBLICATIONS

Catalog—"Super Metal Age"—issued Mar. 1, 1989 by Daiwa Seiko, Inc. Super BB Line Roller.

Primary Examiner—Doris V. Coles
Attorney, Agent, or Firm—Cushman Darby & Cushman, L.L.P.

[57] **CLAIM**

The ornamental design for a line roller for a spinning fishing reel, as shown and described.

DESCRIPTION

FIG. 1 is a front and left side of the perspective view of a line roller for spinning fishing reel showing our new design; FIG. 2 is a front elevational view thereof; FIG. 3 is a left side elevational view thereof; FIG. 4 is a right side elevational view thereof; and, FIG. 5 is a cross sectional view thereof on line 5—5 of FIG. 2.

1 Claim, 1 Drawing Sheet

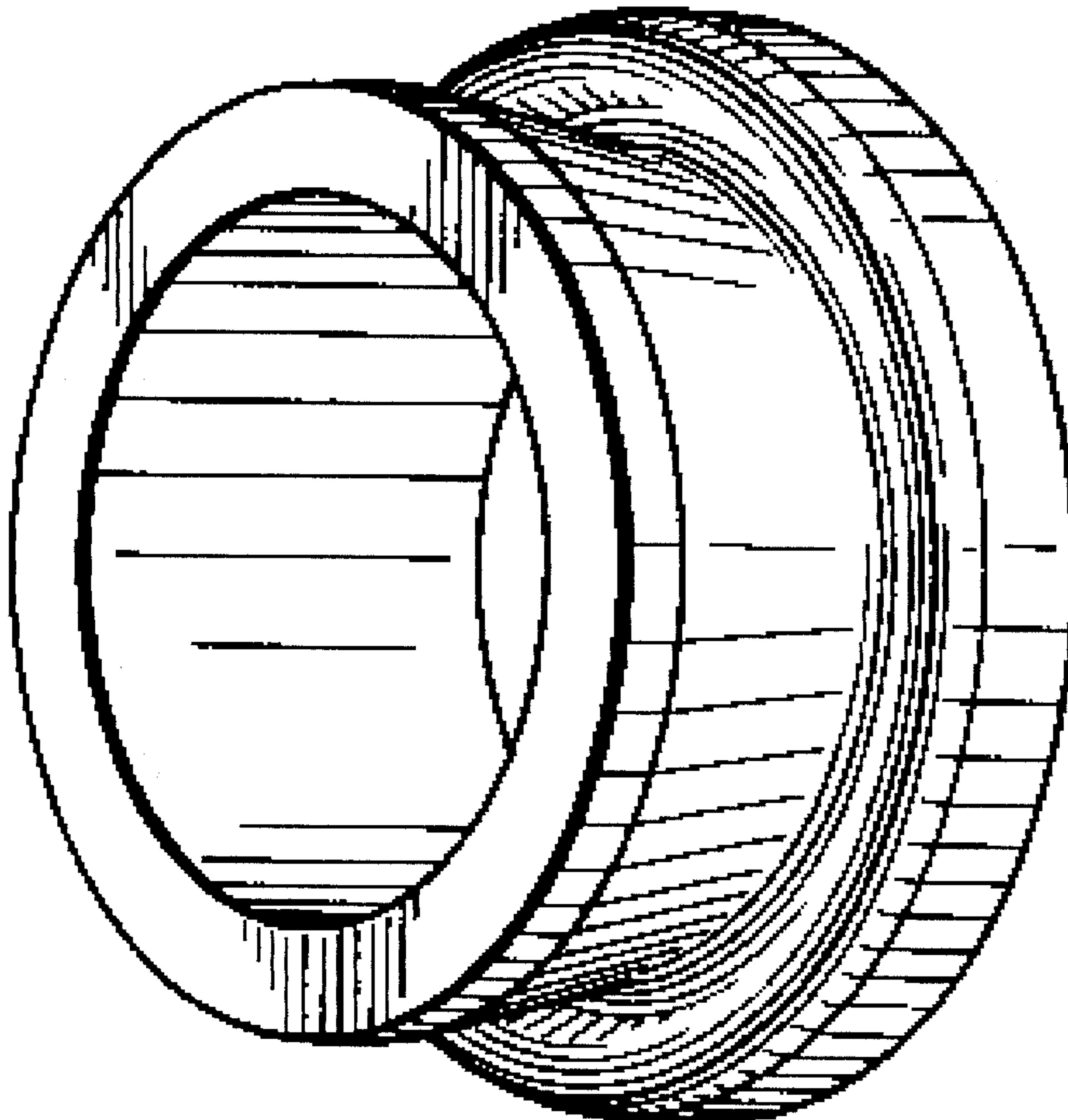


FIG. 1

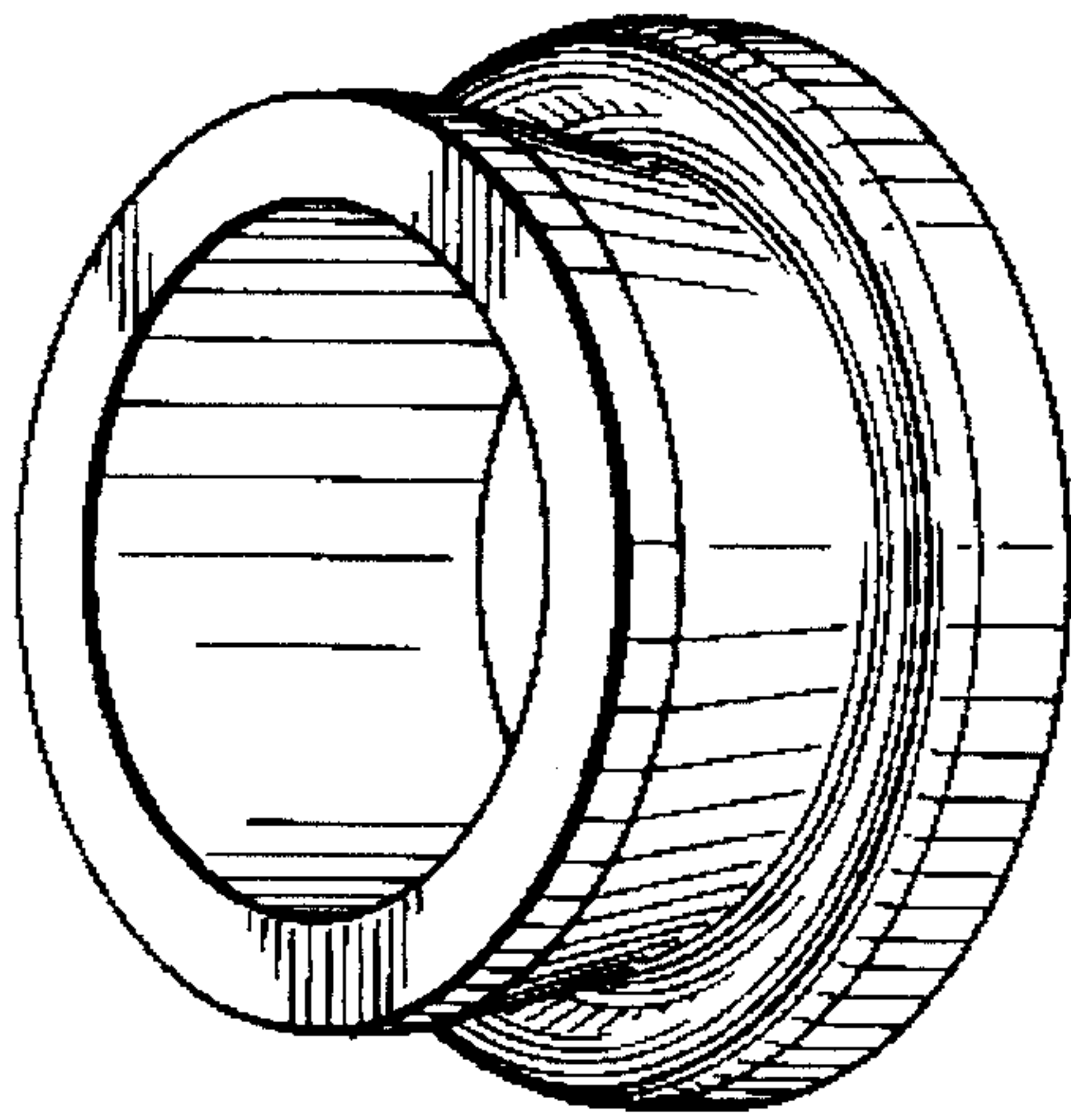


FIG. 2

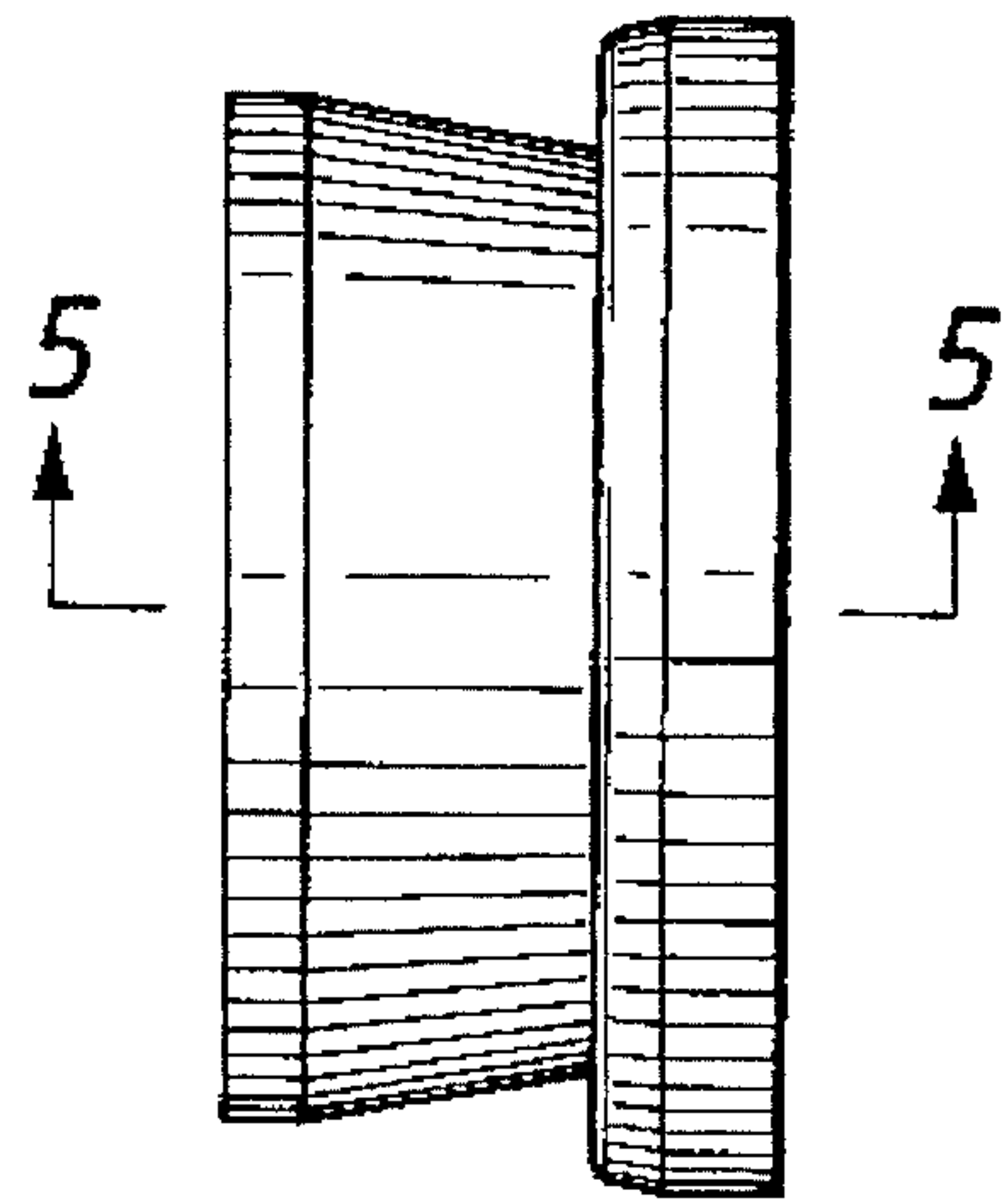


FIG. 3

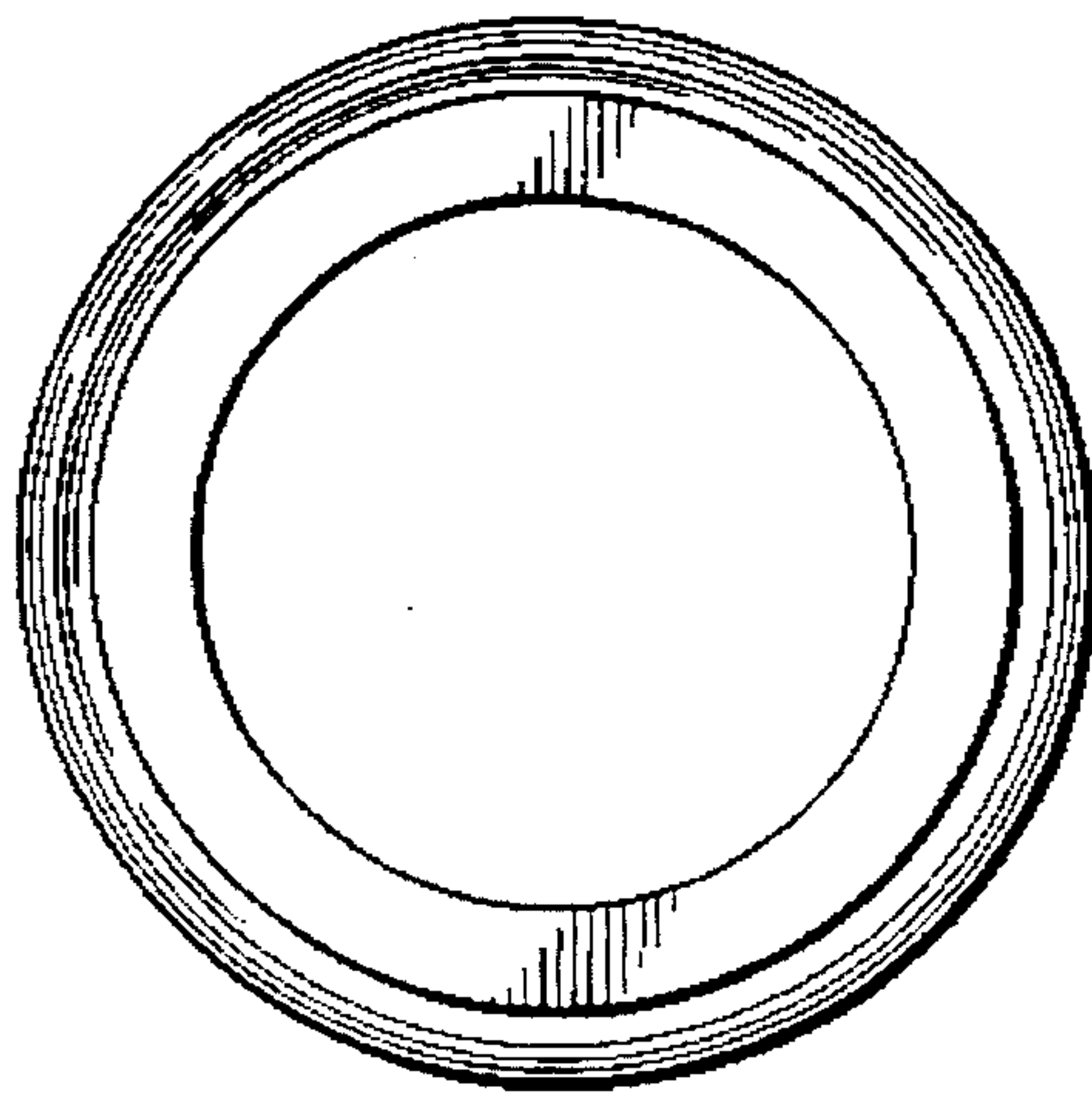


FIG. 4

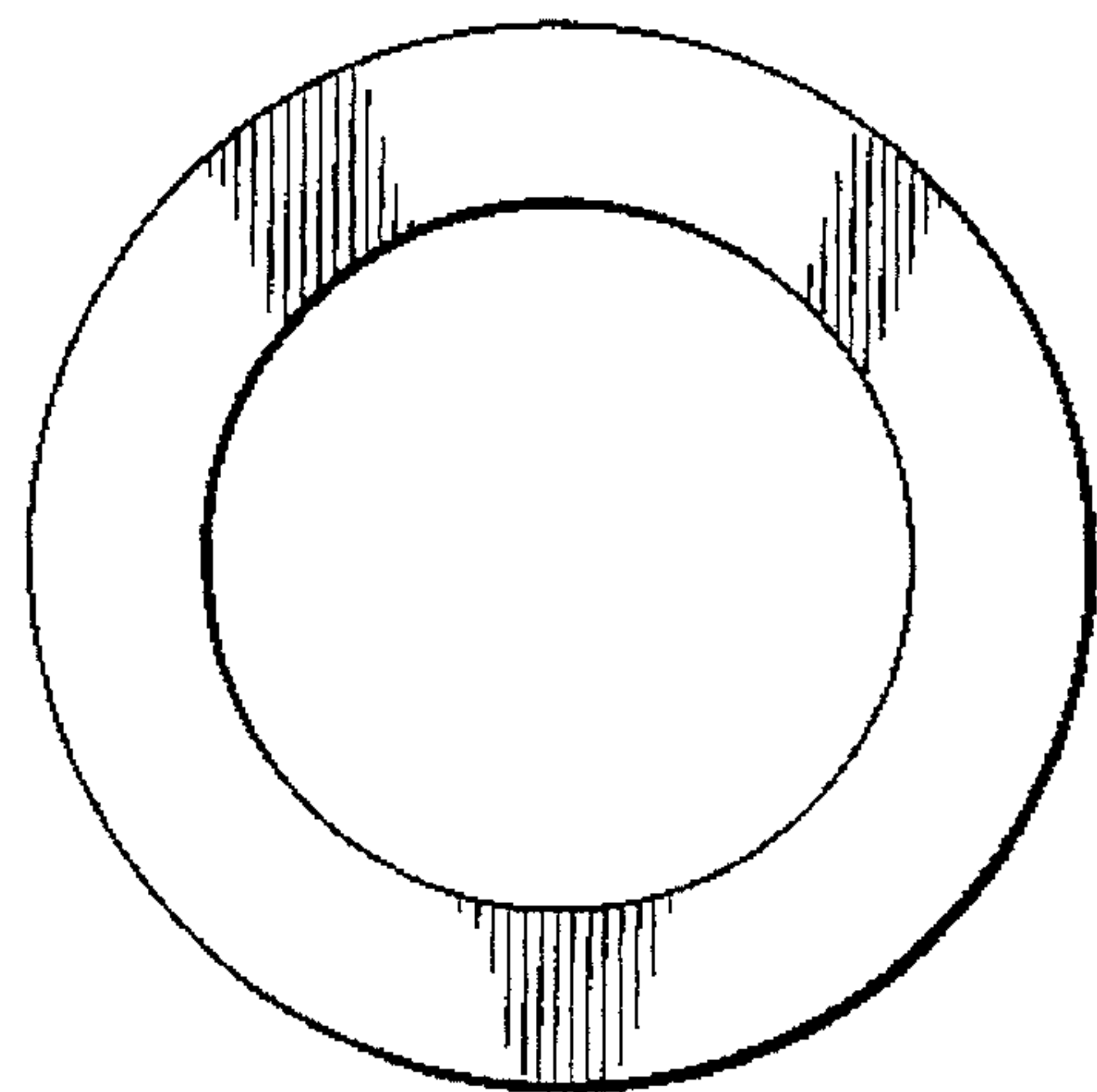


FIG. 5

