



US00D372509S

United States Patent [19] Yang

[11] Patent Number: **Des. 372,509**

[45] Date of Patent: ****Aug. 6, 1996**

[54] **PHYSICAL EXERCISER**

[76] Inventor: **Lien-Chuan Yang**, 11F-1, No. 149,
Sec. 3, Roosevelt Rd., Taipei, Taiwan

[**] Term: **14 Years**

[21] Appl. No.: **34,974**

[22] Filed: **Feb. 16, 1995**

[52] U.S. Cl. **D21/195**

[58] Field of Search D21/191, 192,
D21/194, 195; 482/51, 57, 62, 72, 95, 96,
137

[56] **References Cited**

U.S. PATENT DOCUMENTS

D. 344,112	2/1994	Smith	D21/195
D. 356,128	3/1995	Smith et al.	D21/195
D. 358,437	5/1995	Wang et al.	D21/191
3,446,503	5/1969	Lawton	D21/195
4,641,833	2/1987	Trethewey	482/95
5,178,599	1/1993	Scott	482/96

5,356,358	10/1994	Chen	482/57
5,366,428	11/1994	Liao	482/57
5,429,568	7/1995	Chen	482/57

Primary Examiner—Philip S. Hyder
Attorney, Agent, or Firm—Varndell Legal Group

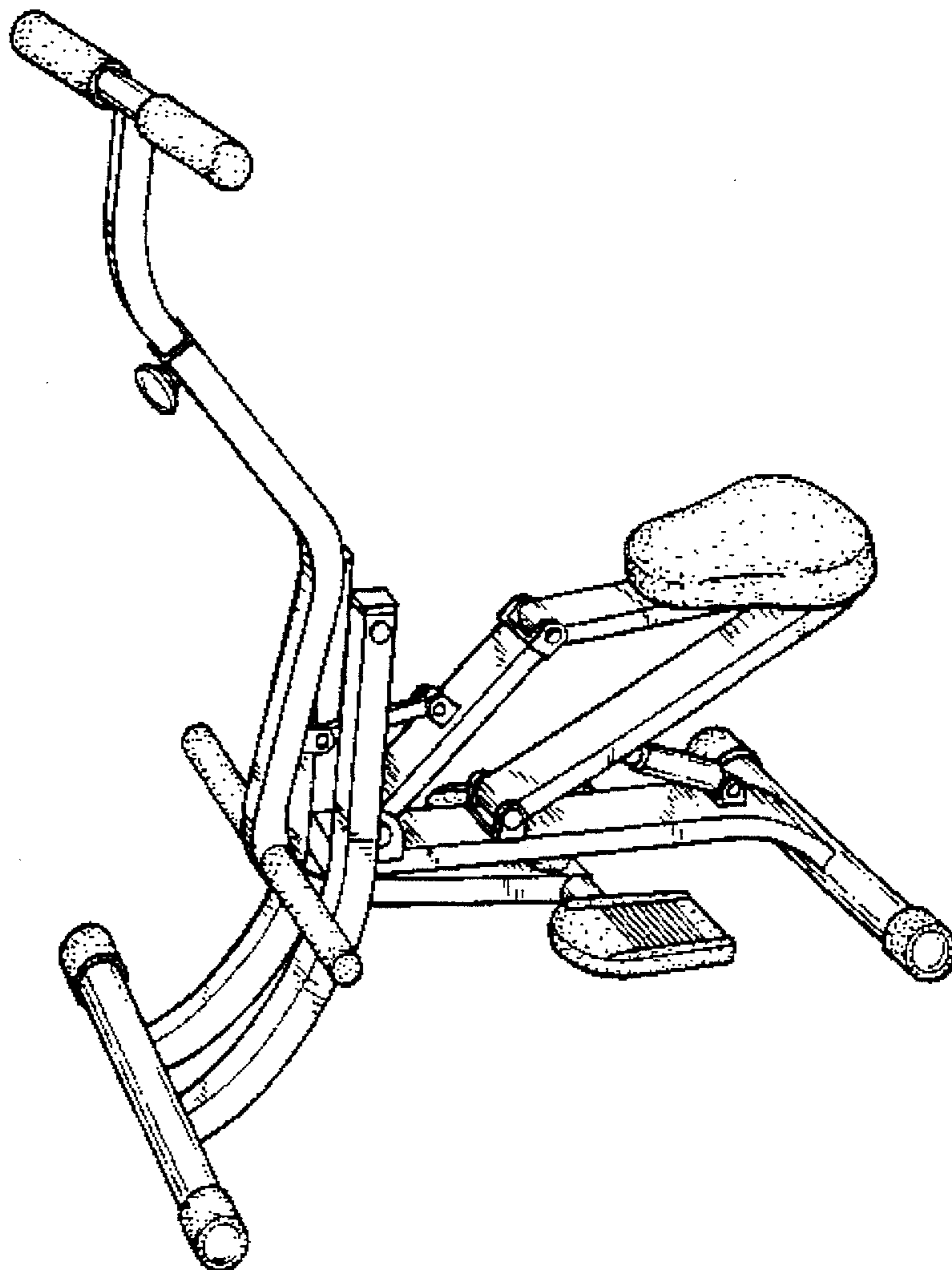
[57] **CLAIM**

The ornamental design for a physical exerciser, as shown and described.

DESCRIPTION

FIG. 1 is a top, front left side perspective view of a physical exerciser showing my new design;
FIG. 2 is a left side elevational view;
FIG. 3 is a right side elevational view;
FIG. 4 is a front elevational view;
FIG. 5 is a rear elevational view;
FIG. 6 is a top plan view; and,
FIG. 7 is a bottom plan view thereof.

1 Claim, 6 Drawing Sheets



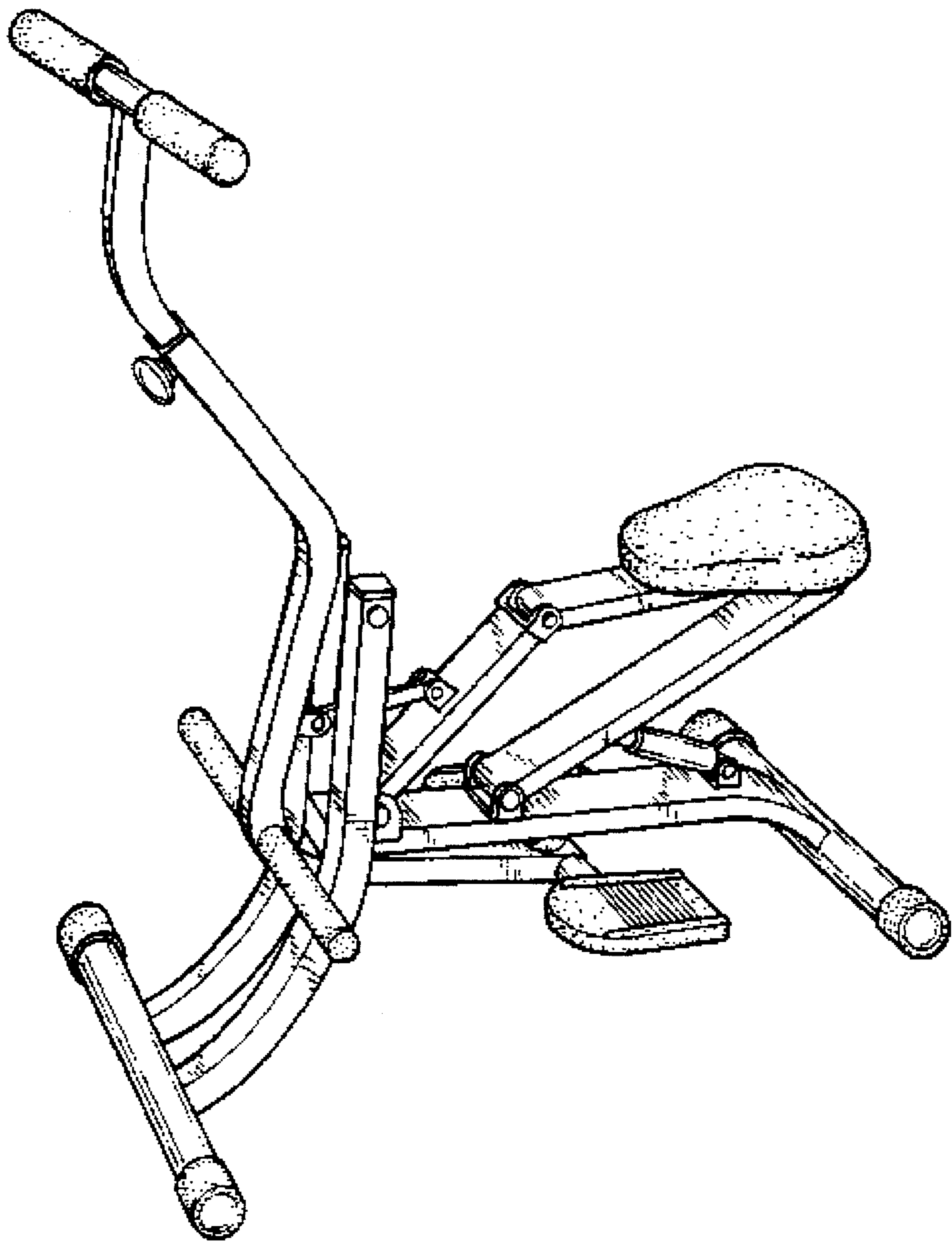


FIG. 1

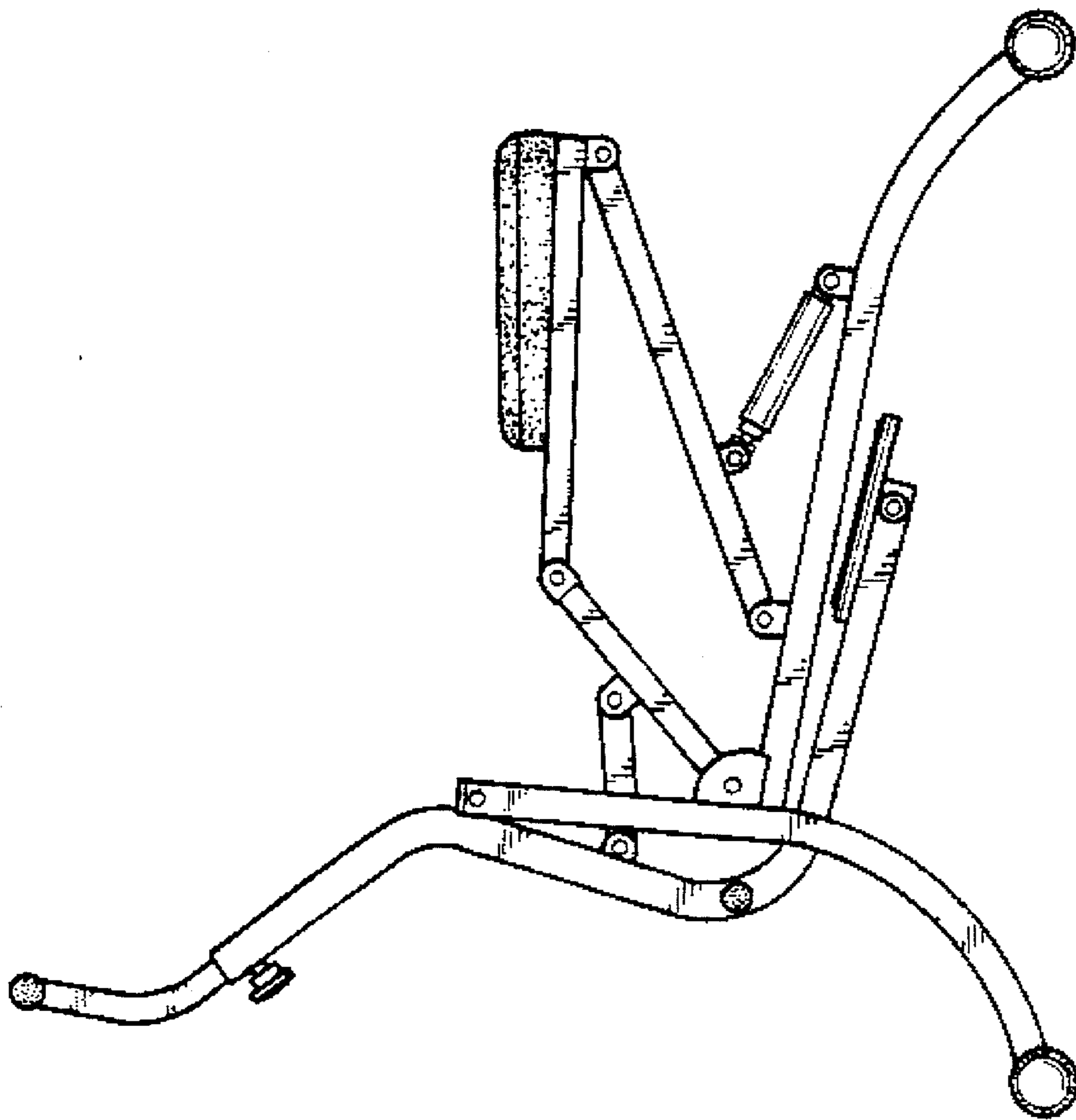


FIG. 2

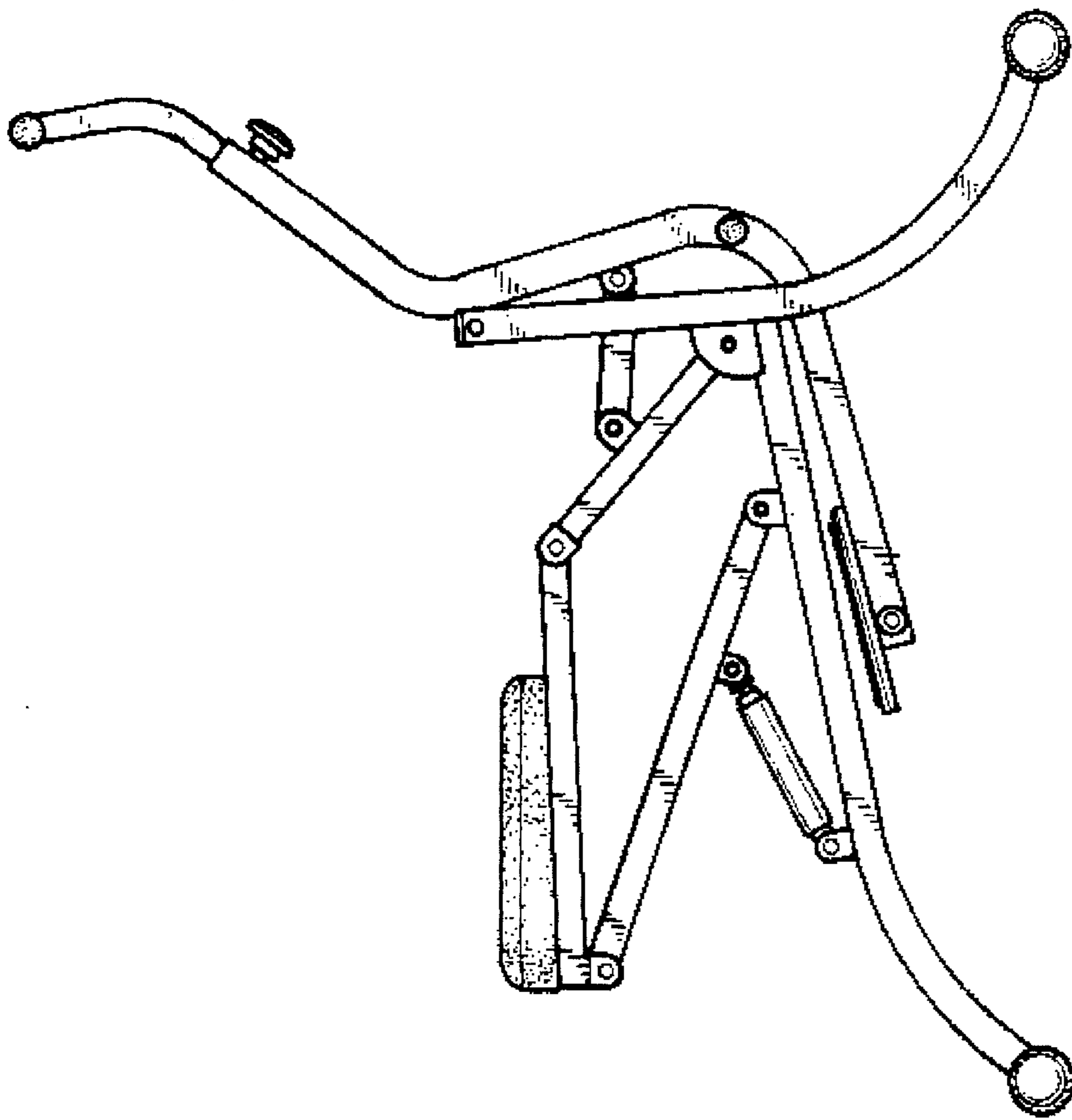


FIG. 3

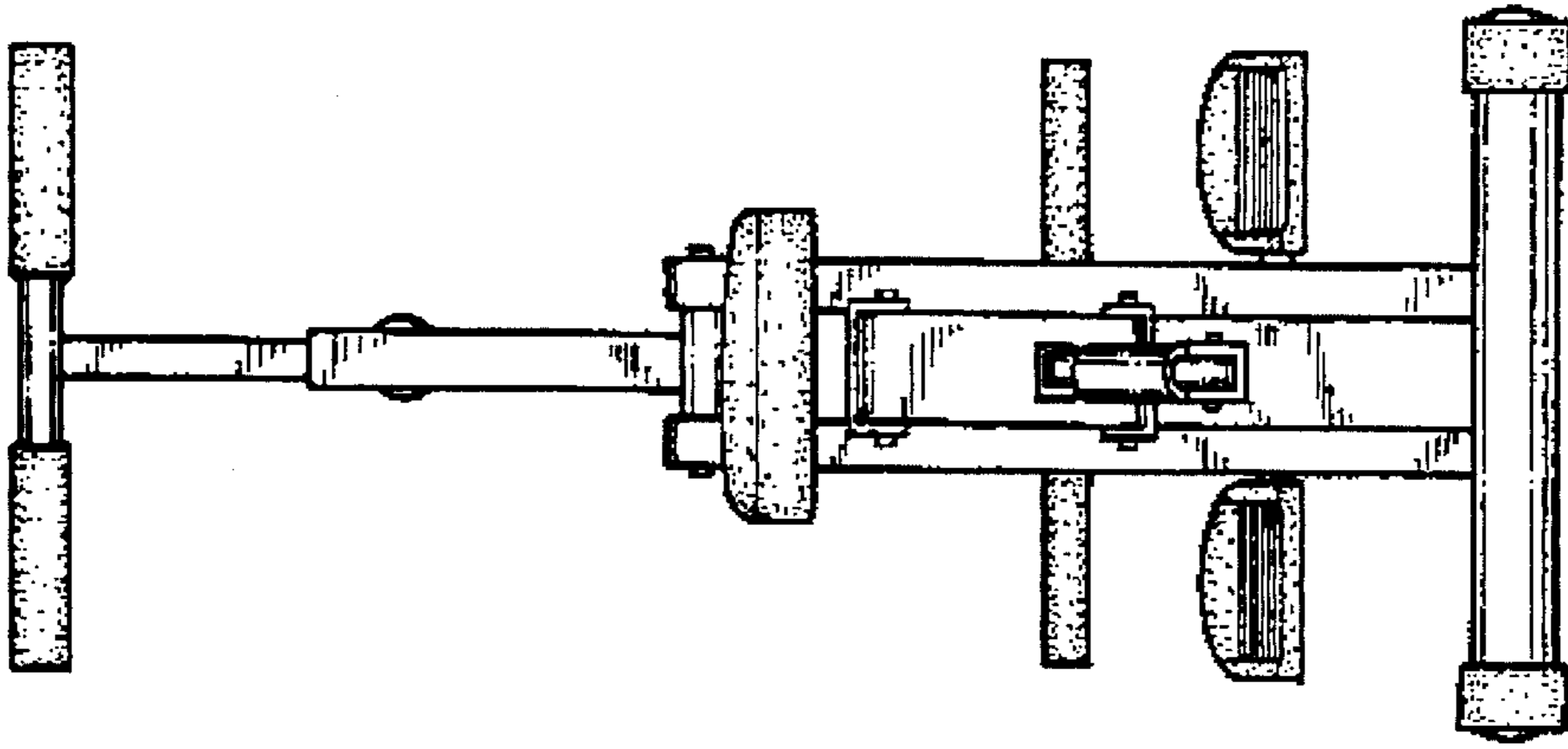


FIG. 5

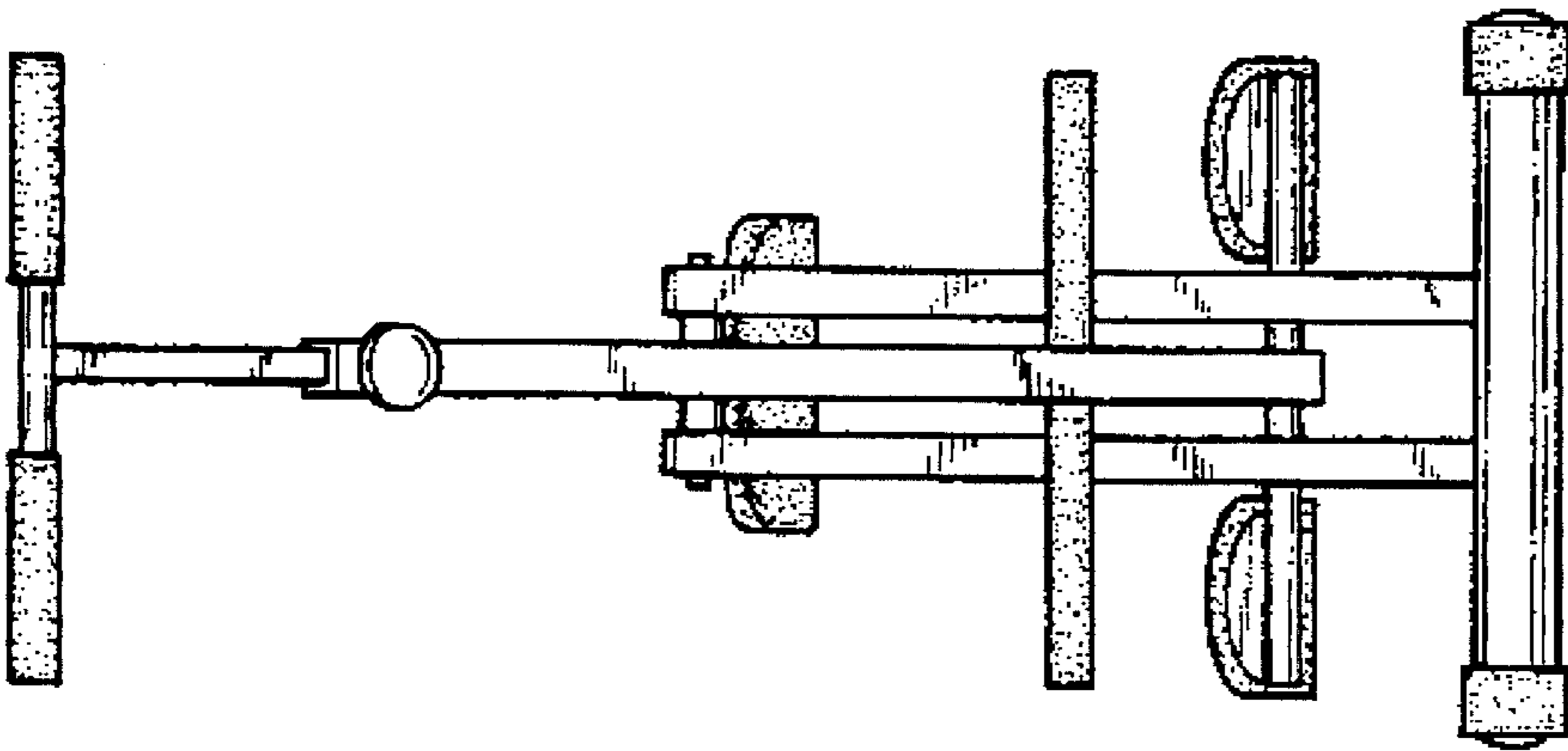


FIG. 4

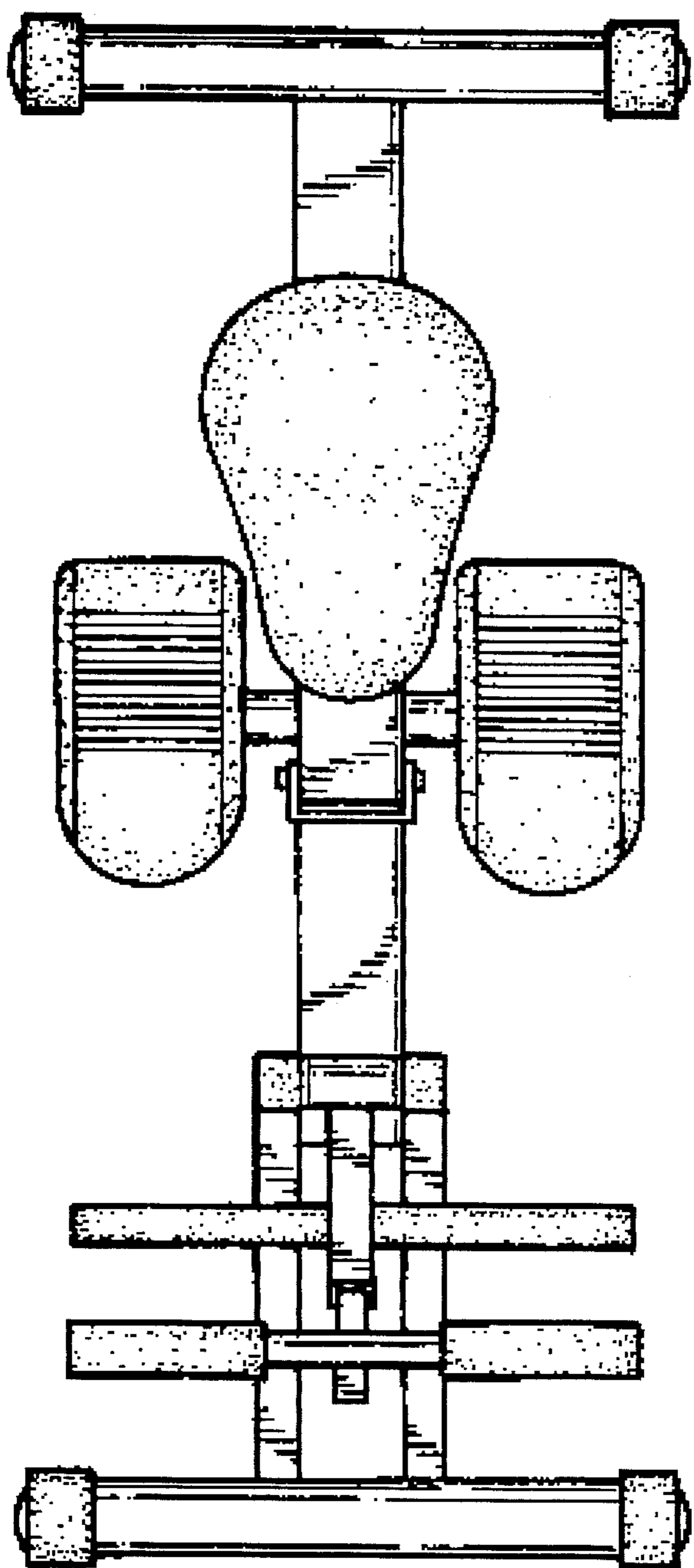


FIG. 6

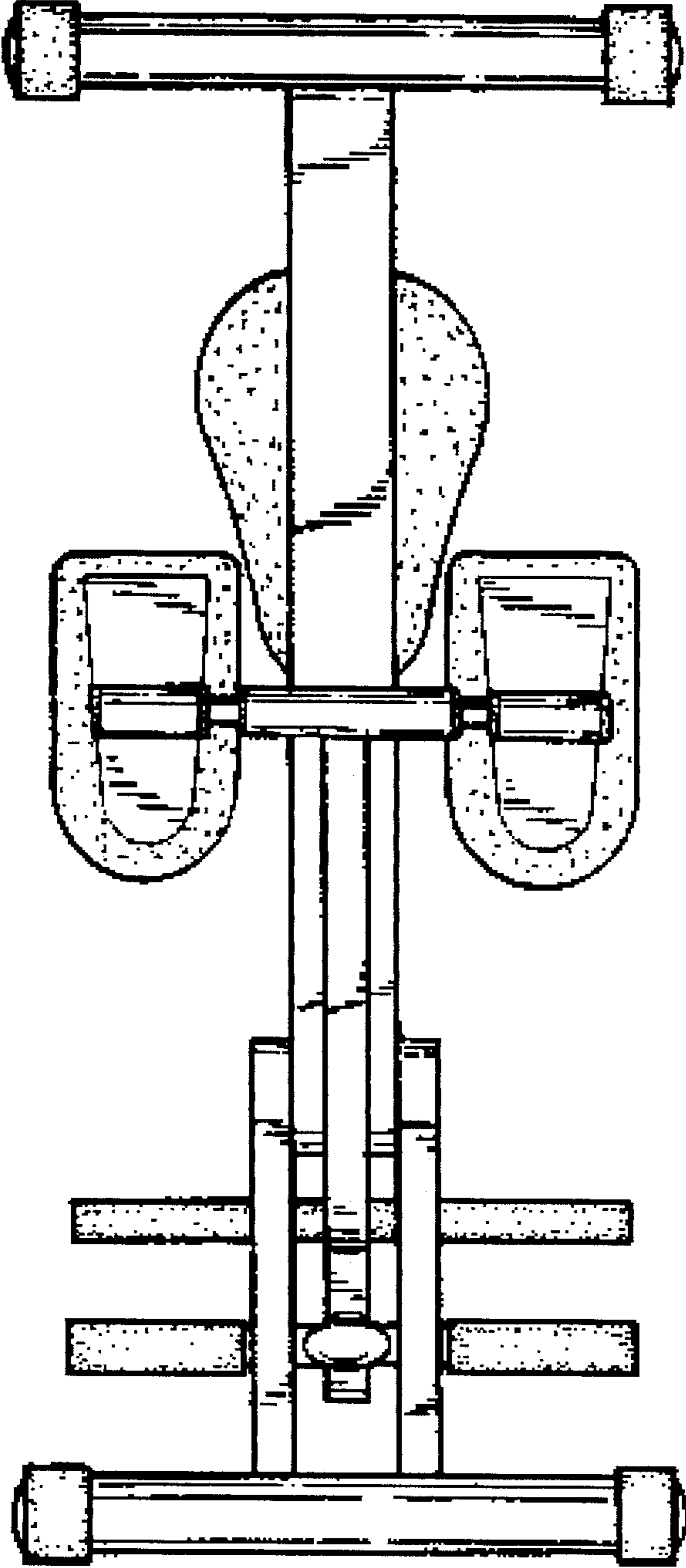


FIG. 7