



US00D372508S

United States Patent [19] Clem

[11] **Patent Number:** **Des. 372,508**
[45] **Date of Patent:** ****Aug. 6, 1996**

[54] **EXERCISE TREADMILL**

[75] Inventor: **William E. Clem**, Bozeman, Mont.

[73] Assignee: **Tunturi, Inc.**, Redmond, Wash.

[**] Term: **14 Years**

[21] Appl. No.: **30,746**

[22] Filed: **Nov. 7, 1994**

[52] U.S. Cl. **D21/192**

[58] **Field of Search** D21/191, 192,
D21/193, 194, 195; 482/51, 52, 54

[56] **References Cited**

U.S. PATENT DOCUMENTS

D. 273,029	3/1984	Kullenberg	D21/192
D. 289,668	5/1987	Gremoprez	D21/192
D. 291,821	9/1987	Kiiski	D21/192
D. 303,557	9/1989	Kiiski	D21/192
D. 321,734	11/1991	Dunham et al.	D21/192
D. 333,330	2/1993	Clem	D21/192
D. 355,227	2/1995	Summers et al.	D21/192

OTHER PUBLICATIONS

Information sheets (2) regarding the Tunturi J 400 treadmill of Tunturi, Inc., Redmond, WA.

Information sheets (2) regarding the Tunturi jogging machine J 502 by Tunturipyora Oy of Piispanristi, Finland.

Information sheets (2) regarding Tunturi J 620P treadmill by Tunturi, Inc. of Redmond, WA.

Information sheets (2) regarding Tunturi treadmill J 880 by Tunturipyora Oy of Piispanristi, Finland.

Primary Examiner—Philip S. Hyder
Attorney, Agent, or Firm—Graybeal Jackson Haley & Jonson

[57] **CLAIM**

The ornamental design for an exercise treadmill, as shown.

DESCRIPTION

FIG. 1 is an isometric view, from an upward somewhat rearward aspect, showing my new design;

FIG. 2 is a top plan view thereof;

FIG. 3 is a right side elevational view thereof;

FIG. 4 is a left side elevational view thereof;

FIG. 5 is a front elevational view thereof;

FIG. 6 is a rear elevational view thereof; and,

FIG. 7 is a bottom plan view thereof.

1 Claim, 4 Drawing Sheets

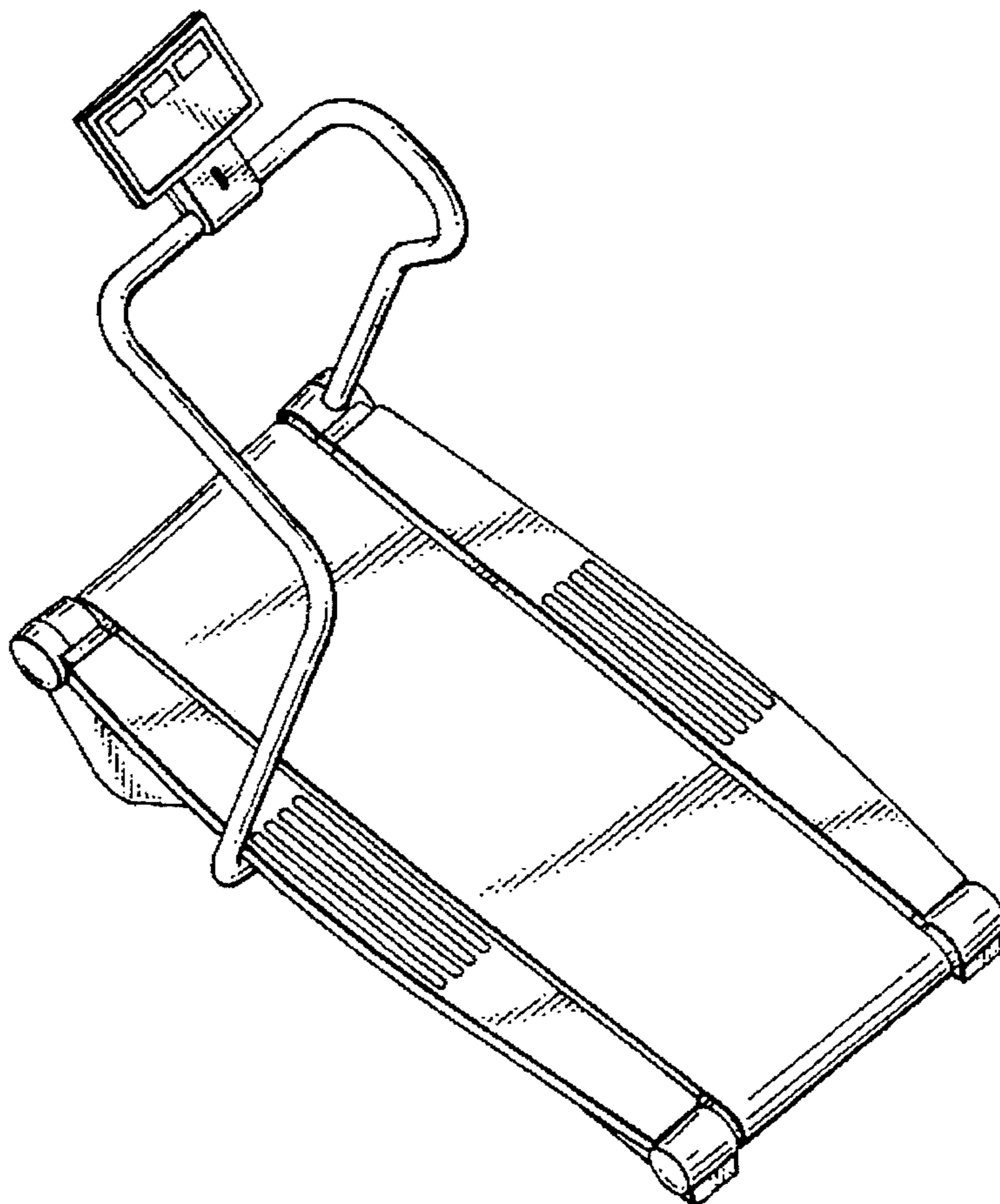


FIG. 1

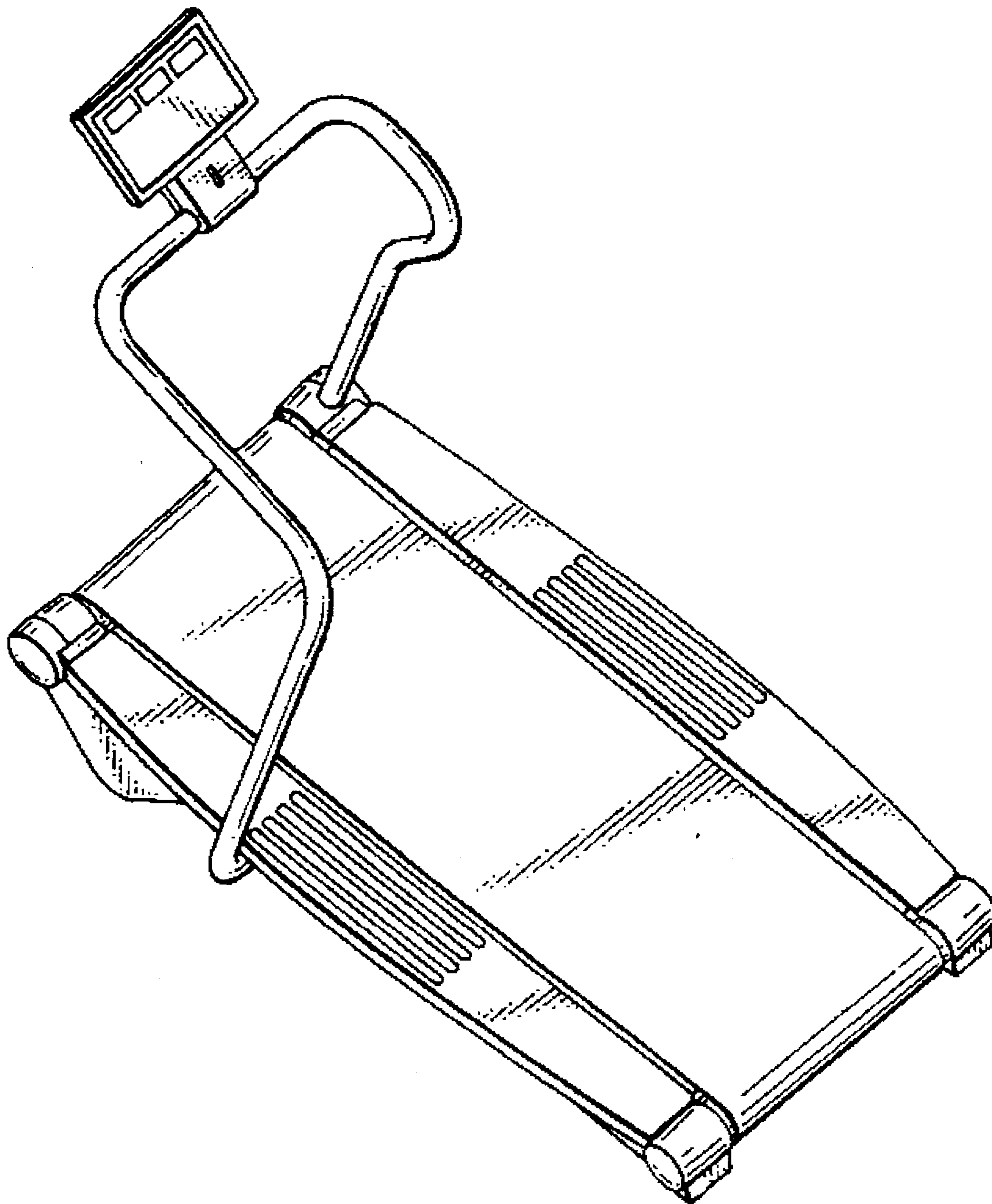


FIG. 2

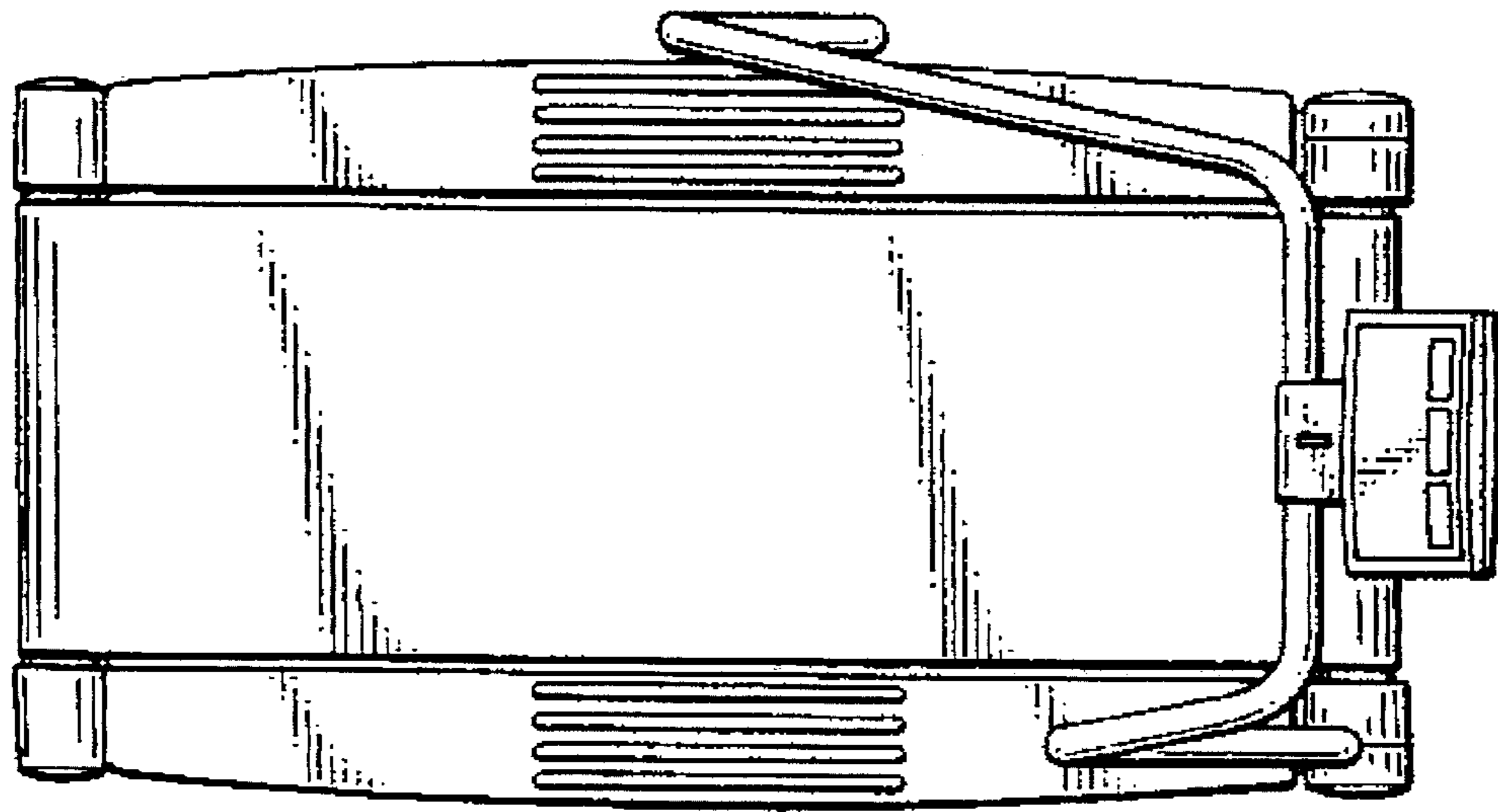


FIG. 3

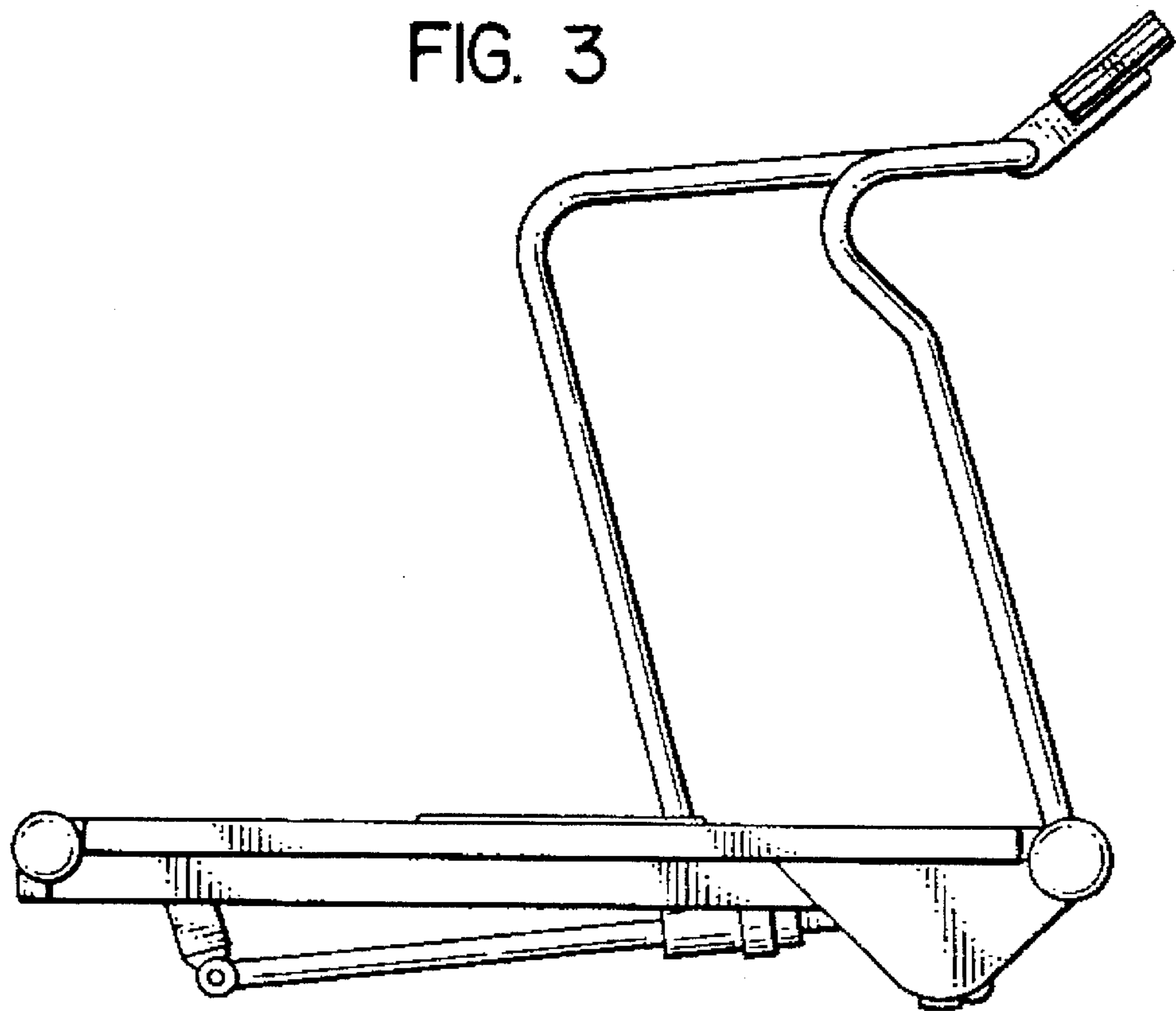


FIG. 4

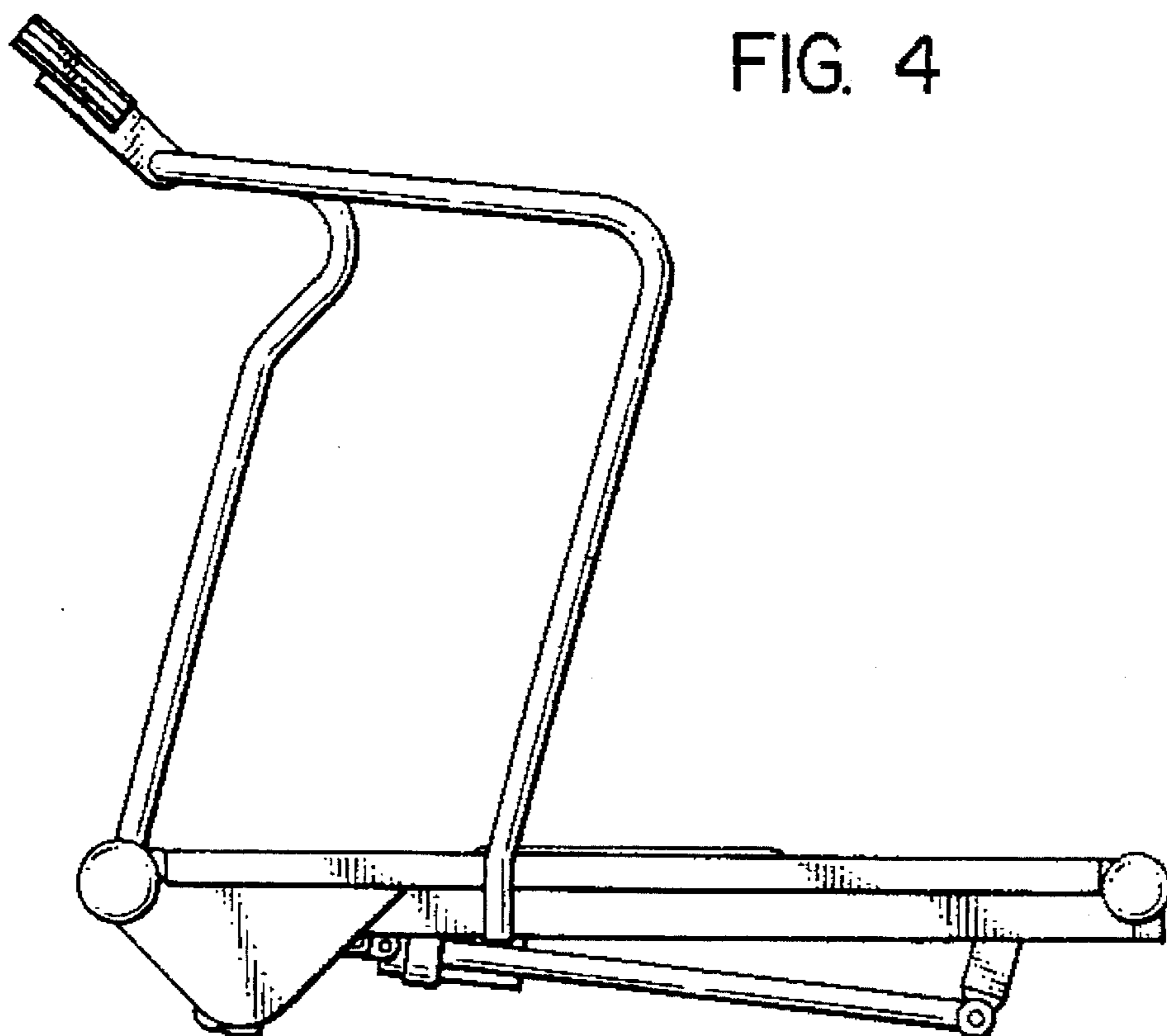


FIG. 5

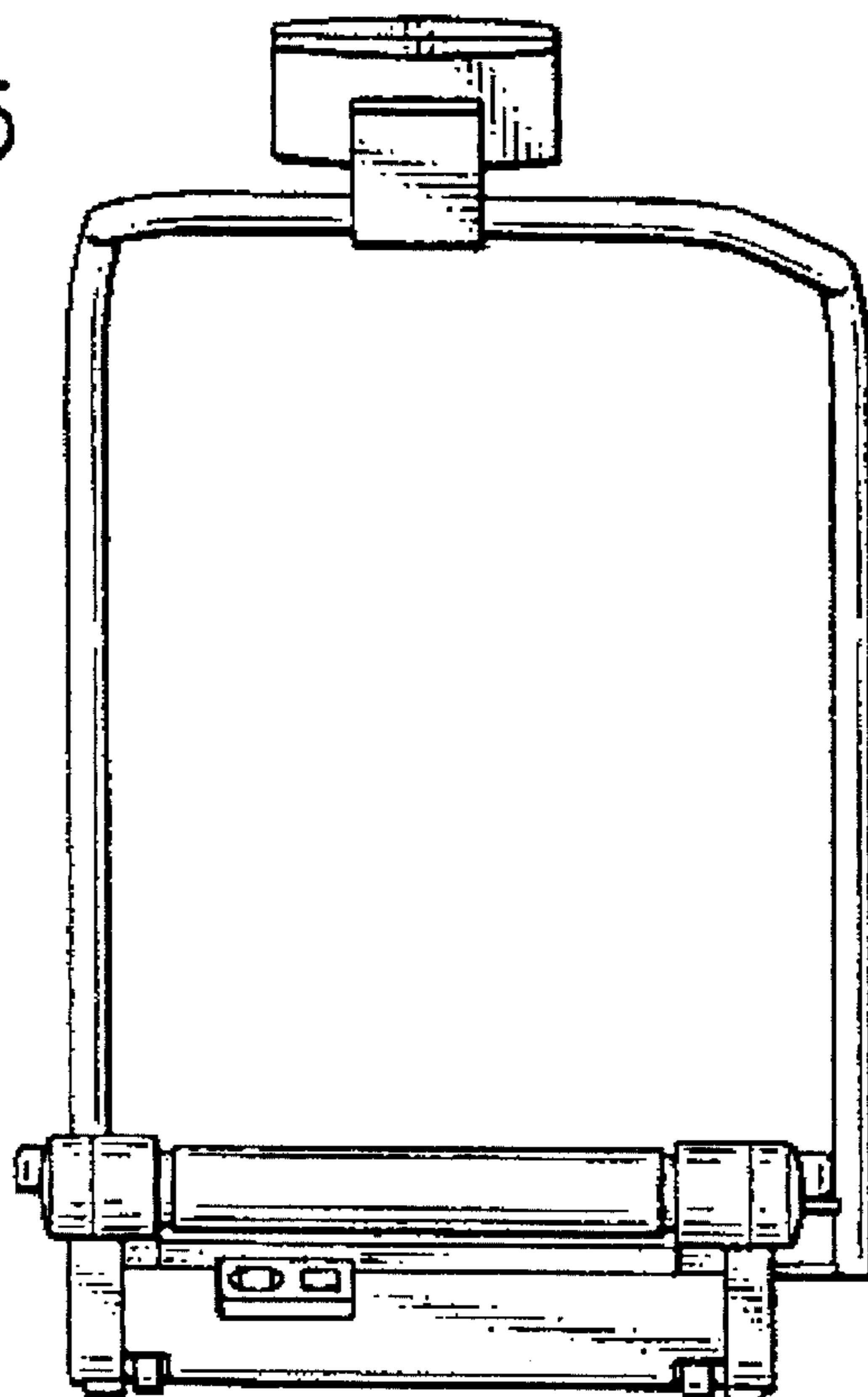


FIG. 6

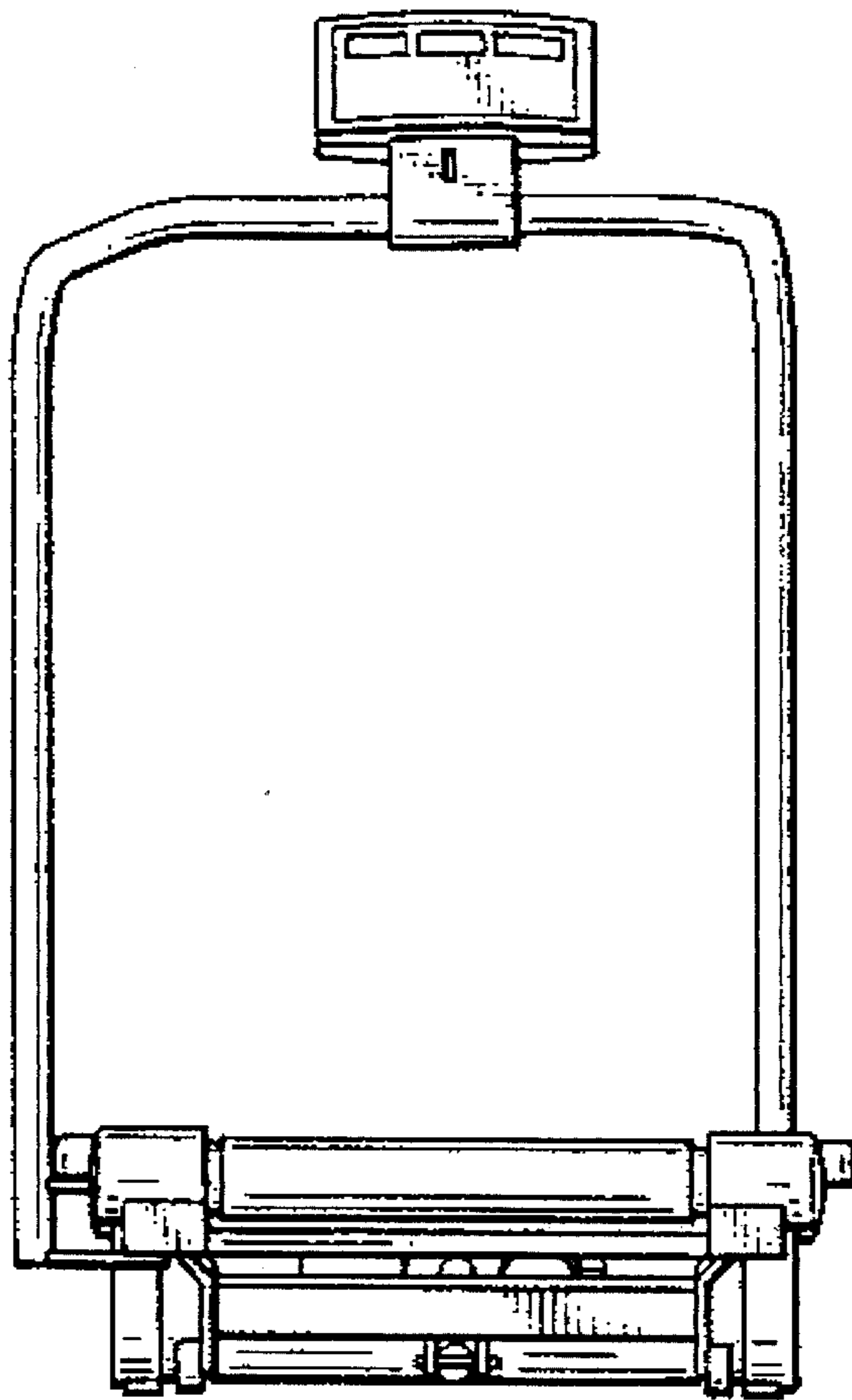


FIG. 7

