



US00D372507S

United States Patent [19] Chin

[11] Patent Number: **Des. 372,507**

[45] Date of Patent: ****Aug. 6, 1996**

[54] **SIT-UP EXERCISER**

[76] Inventor: **Taan K. Chin**, 7th Fl., No. 227, Sec. 3, Roosevelt Rd., Taipei, Taiwan

[**] Term: **14 Years**

[21] Appl. No.: **39,807**

[22] Filed: **May 26, 1995**

[52] U.S. Cl. **D21/191**

[58] Field of Search D21/191, 195, D21/198; 482/140, 123, 126, 121, 129, 130

[56] **References Cited**

U.S. PATENT DOCUMENTS

4,611,805	9/1986	Franklin et al.	482/129
5,224,914	7/1993	Friedman	482/140
5,342,274	8/1994	Hunker	482/140
5,385,525	1/1995	Davis	482/129
5,407,414	4/1995	Bass	482/129
5,431,617	7/1995	Rattray, Jr.	482/129

Primary Examiner—Philip S. Hyder
Attorney, Agent, or Firm—Morton J. Rosenberg; David I. Klein

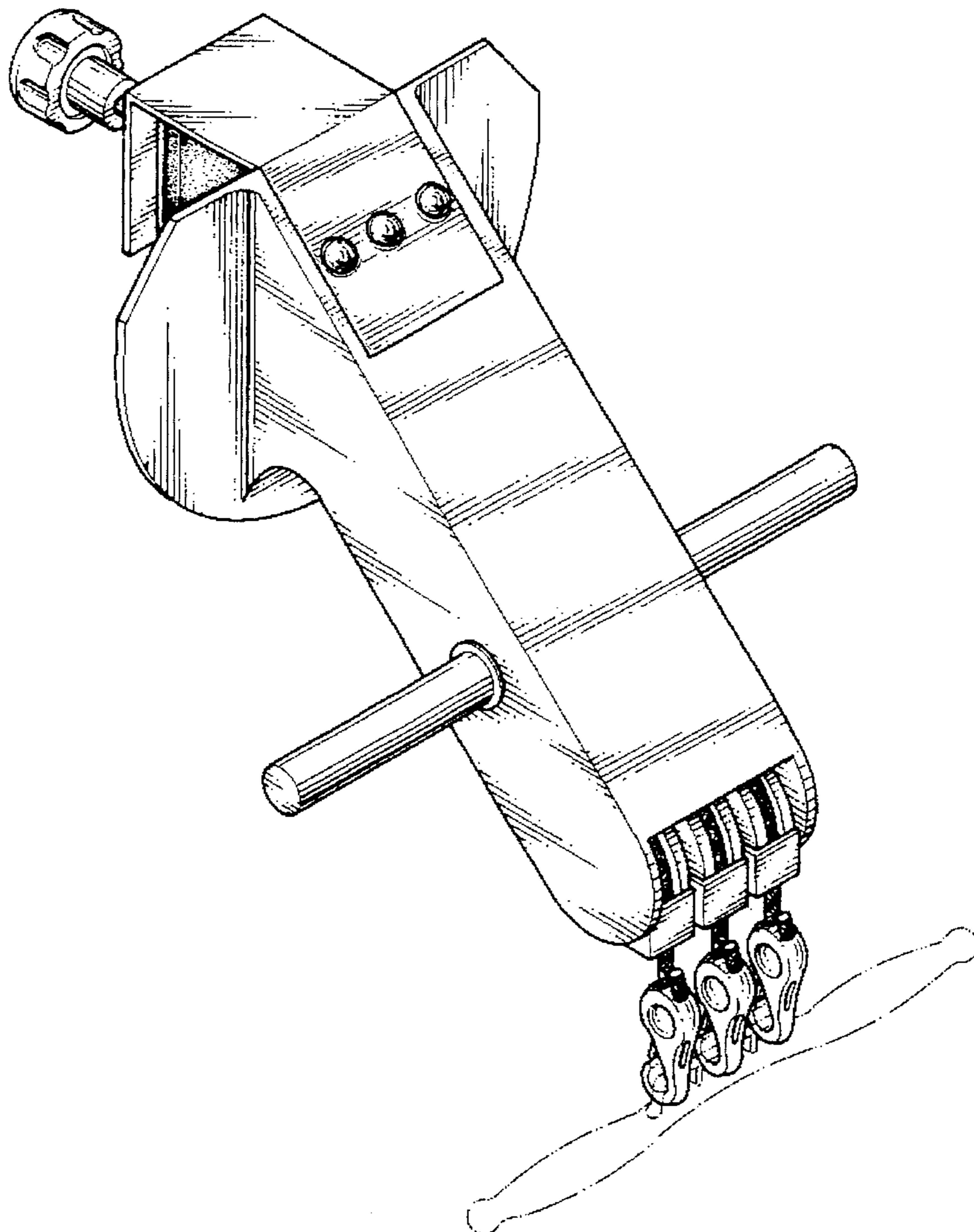
[57] **CLAIM**

The ornamental design for a sit-up exerciser, as shown and described.

DESCRIPTION

FIG. 1 is a front, left side and top perspective view of a sit-up exerciser, showing my new design;
FIG. 2 is a left side view thereof, the opposite side view being a mirror image;
FIG. 3 is a front view thereof;
FIG. 4 is a rear view thereof;
FIG. 5 is a top view thereof; and,
FIG. 6 is a bottom view thereof.
The broken line showing of the handle bar is for illustrative purposes only and forms no part of the claimed design.

1 Claim, 4 Drawing Sheets



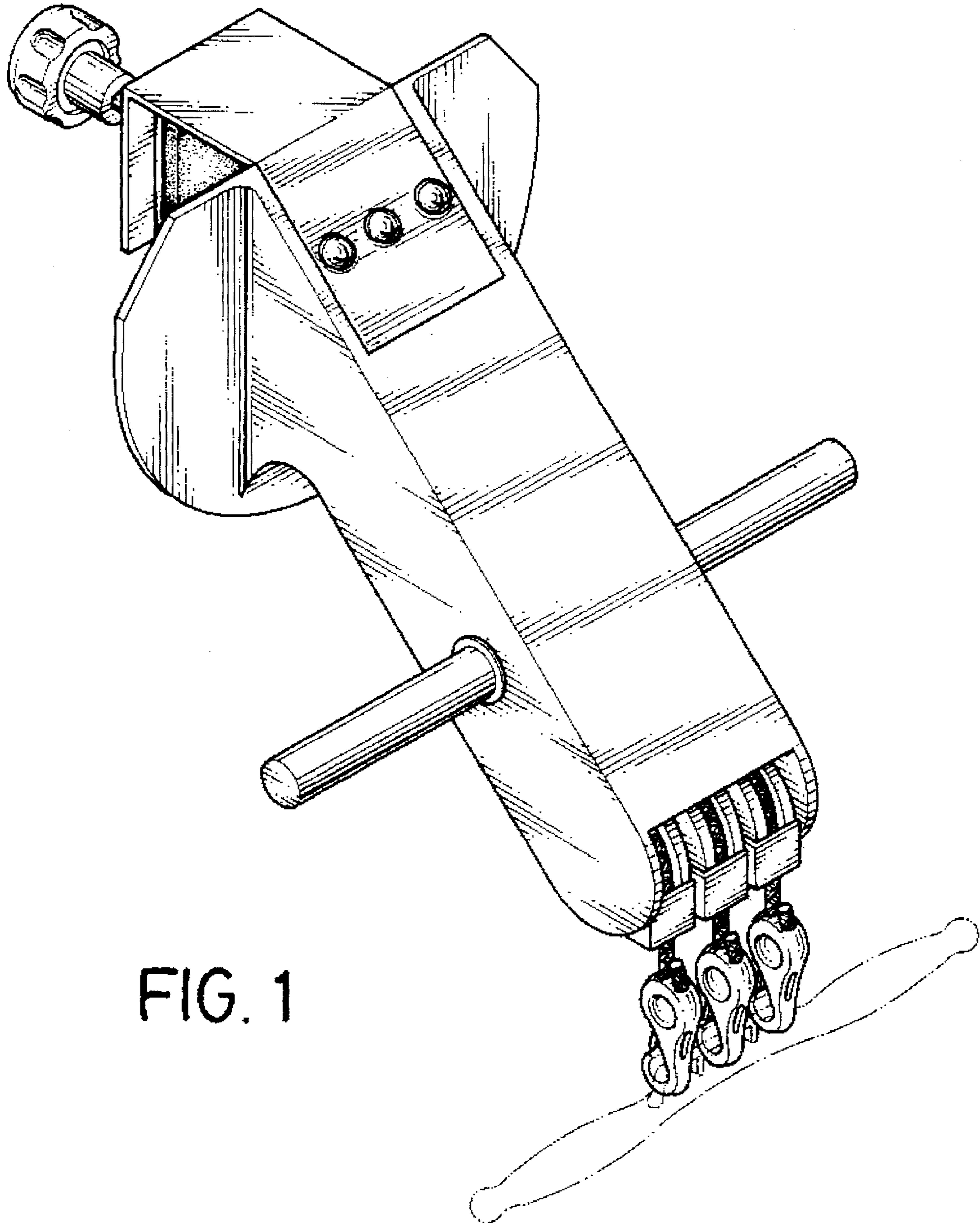


FIG. 1

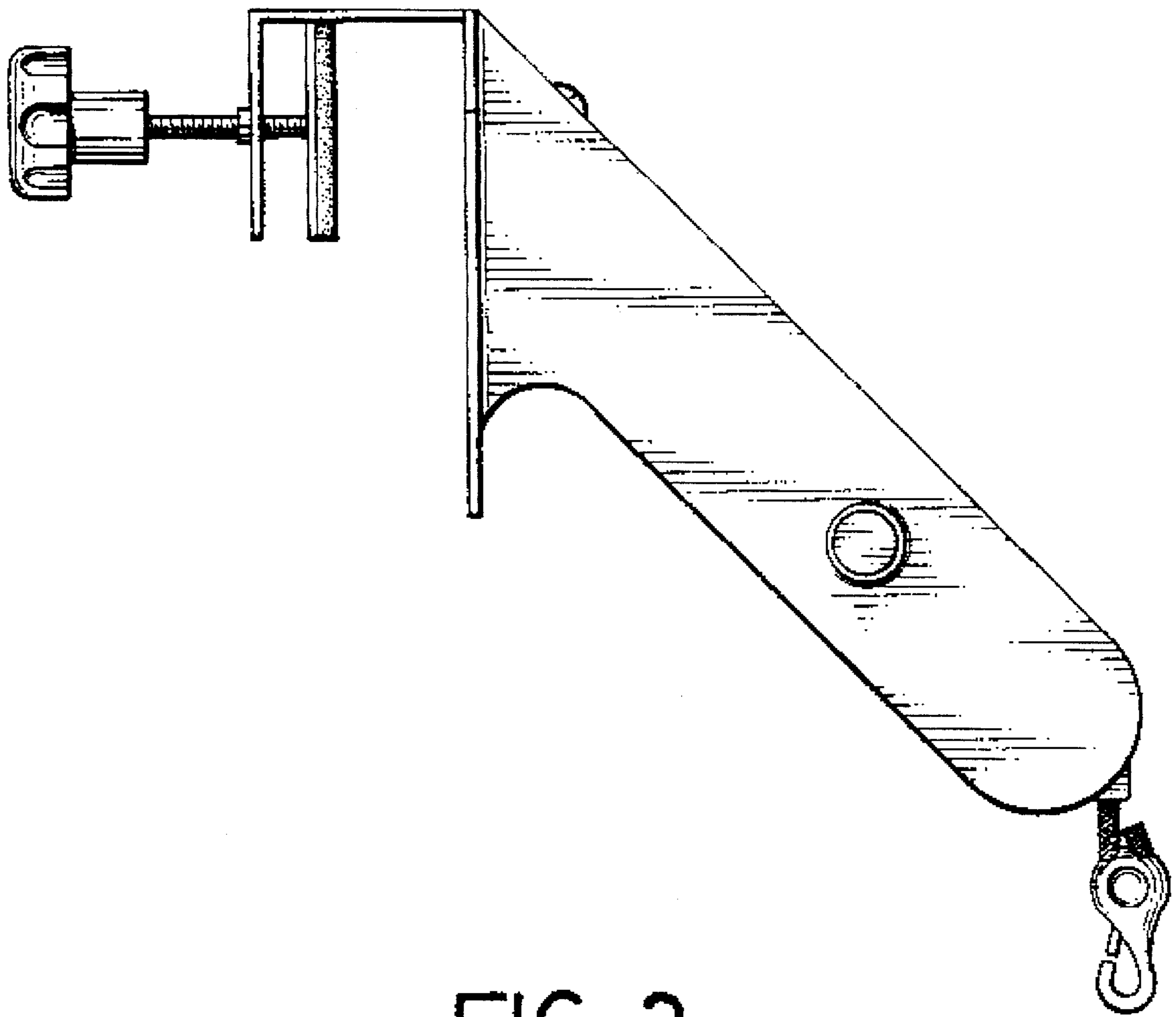


FIG. 2

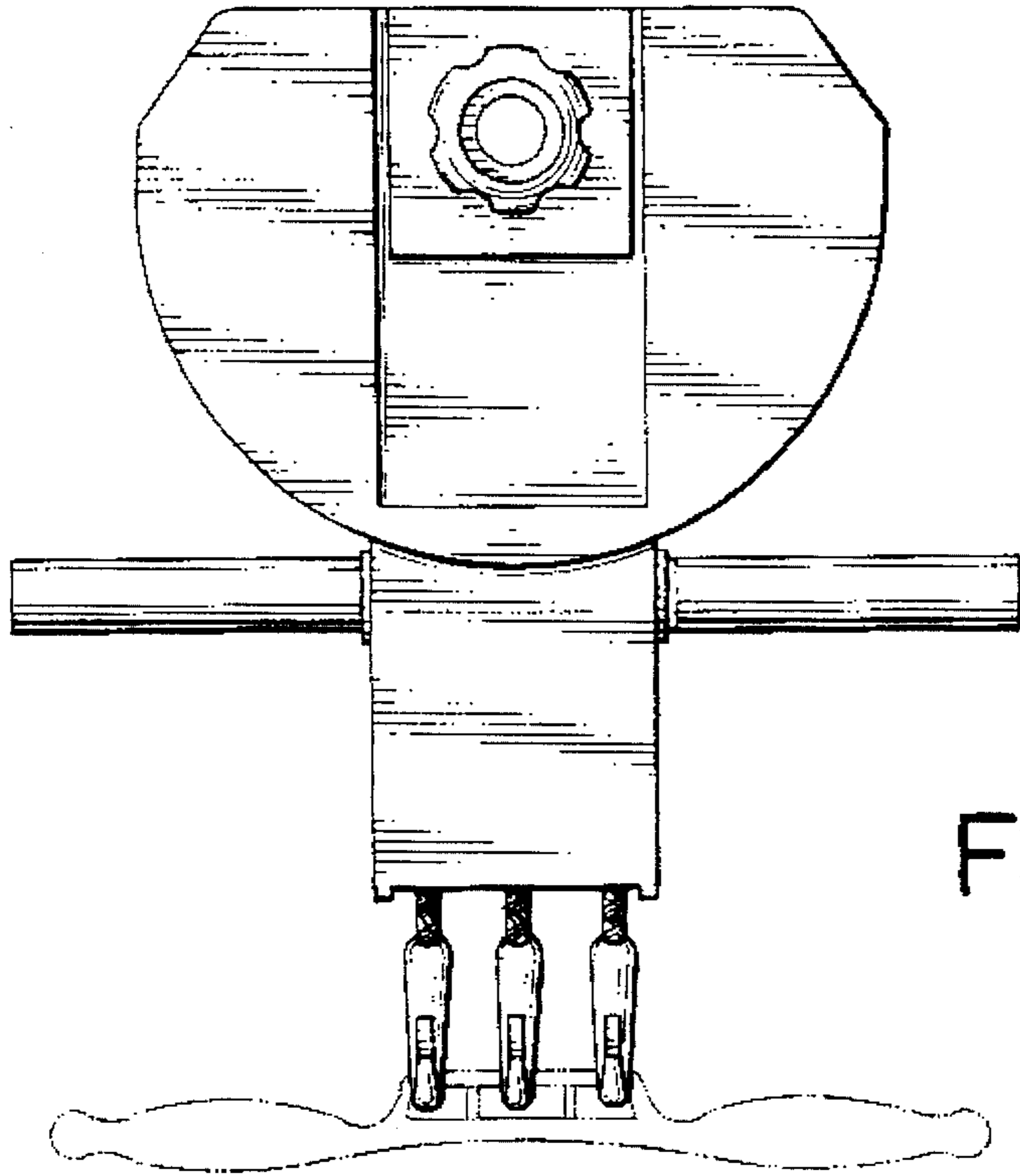


FIG. 4

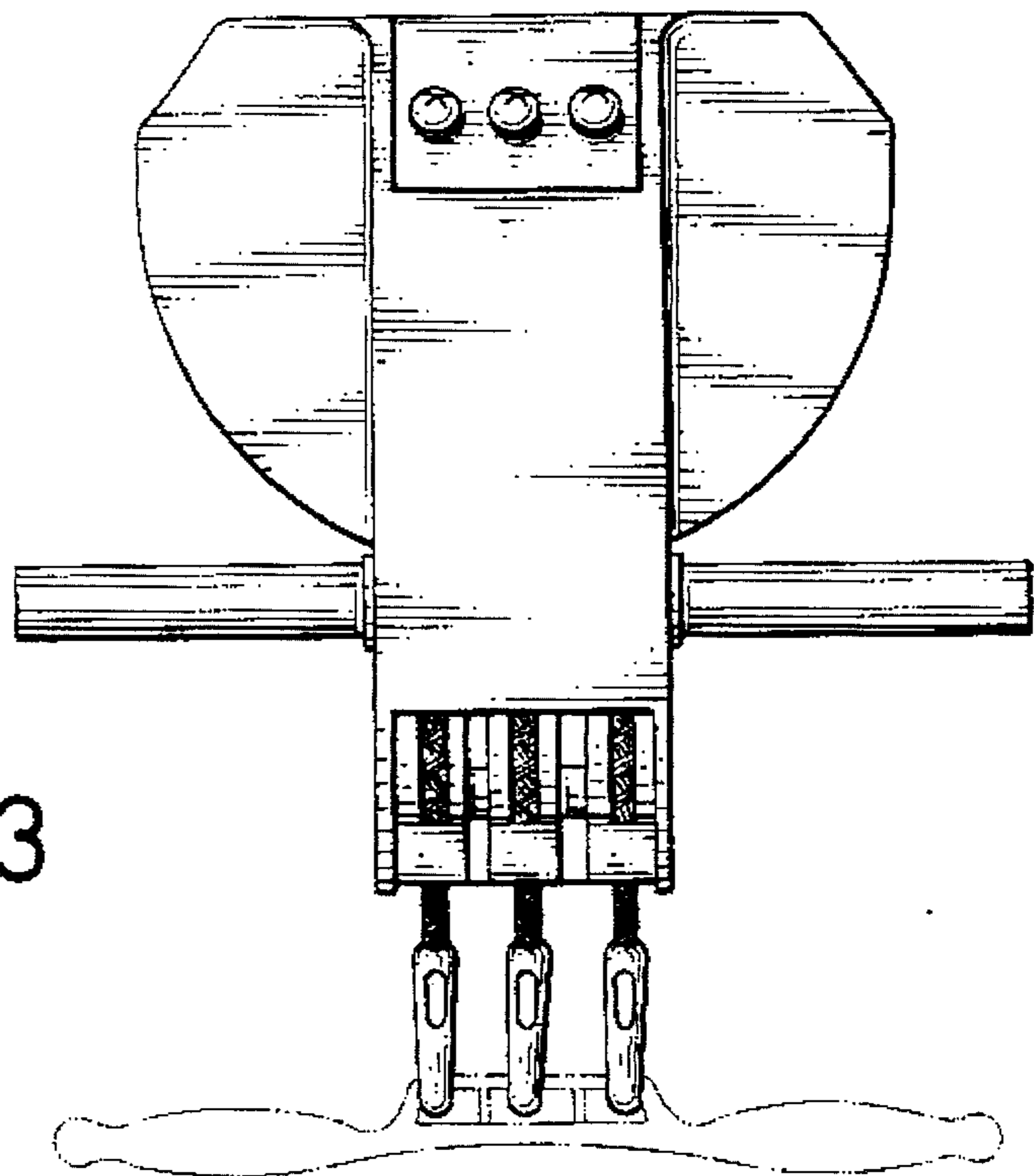


FIG. 3

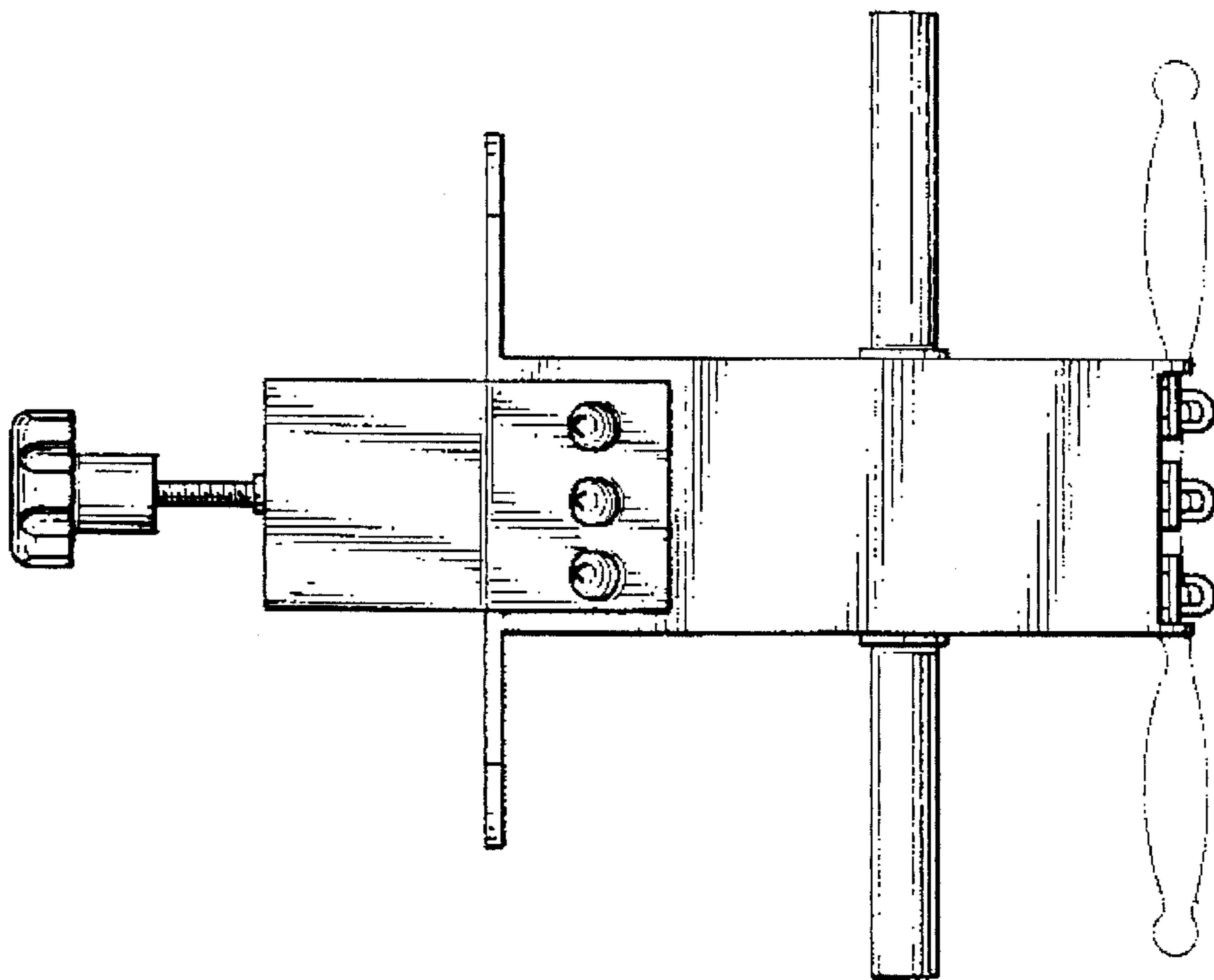


FIG. 5

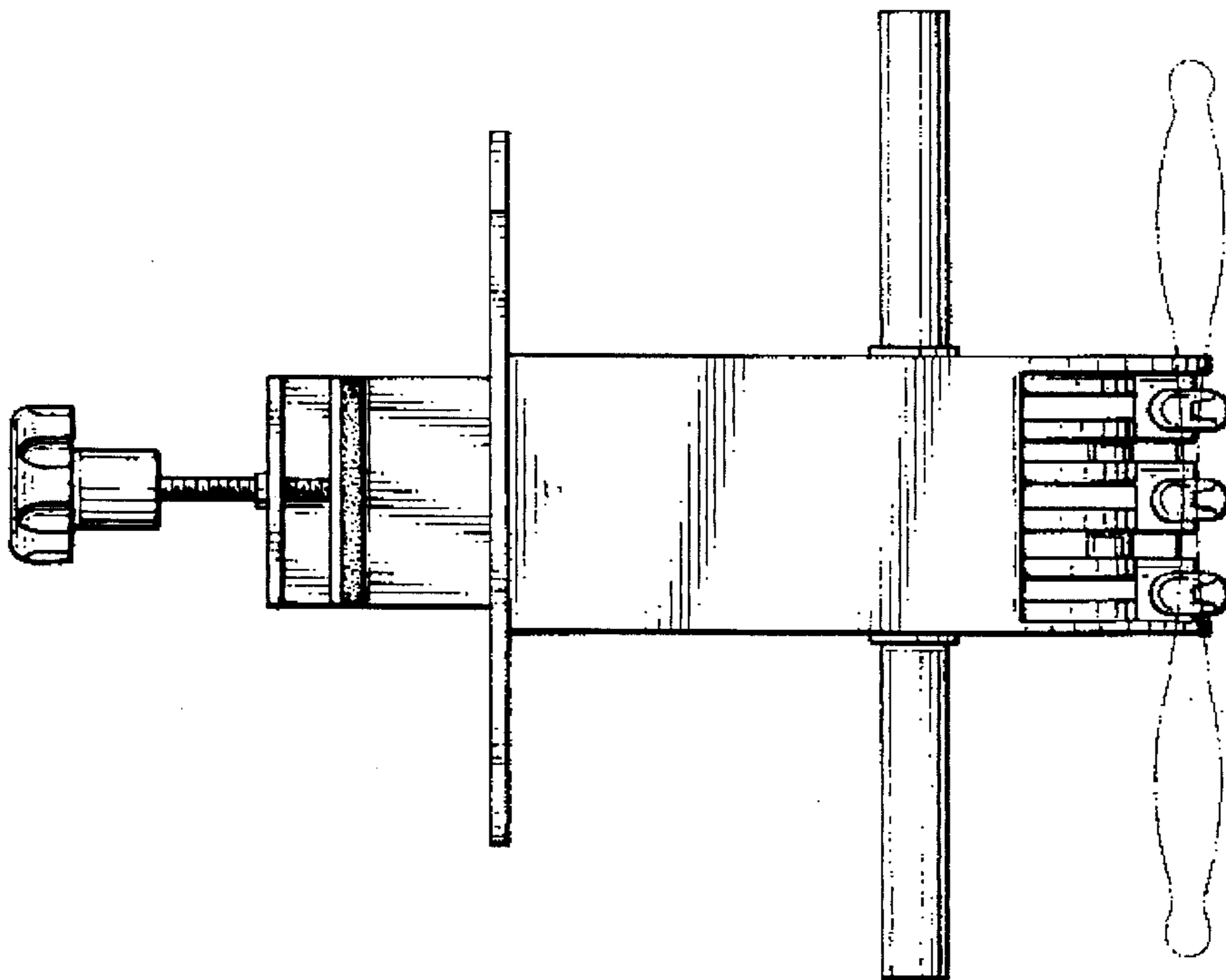


FIG. 6