



US00D372504S

United States Patent [19]
Jacobsen

[11] **Patent Number: Des. 372,504**
[45] **Date of Patent: **Aug. 6, 1996**

[54] **TOY PLASTER BANDAGE FOR A DOLL**

2,106,148 1/1938 Kellner D21/108
4,178,924 12/1979 Baxter D24/192

[75] Inventor: **Bente Jacobsen**, Silkeborg, Denmark

Primary Examiner—Terry A. Wallace

[73] Assignee: **Interlego AG**, Baar, Switzerland

Assistant Examiner—R. Barkai

[**] Term: **14 Years**

Attorney, Agent, or Firm—Kane, Dalsimer, Sullivan,
Kurucz, Levy, Eisele and Richard, LLP

[21] Appl. No.: **43,982**

[57] **CLAIM**

[22] Filed: **Sep. 14, 1995**

The ornamental design for a toy plaster bandage for a doll,
shown and described.

[52] U.S. Cl. **D21/108; D24/192; D21/109**

[58] **Field of Search** D21/166, 108,
D21/109, 114, 124, 125, 141; D24/190,
192; 446/103, 110, 115, 120, 124, 125,
126, 128, 479, 487

DESCRIPTION

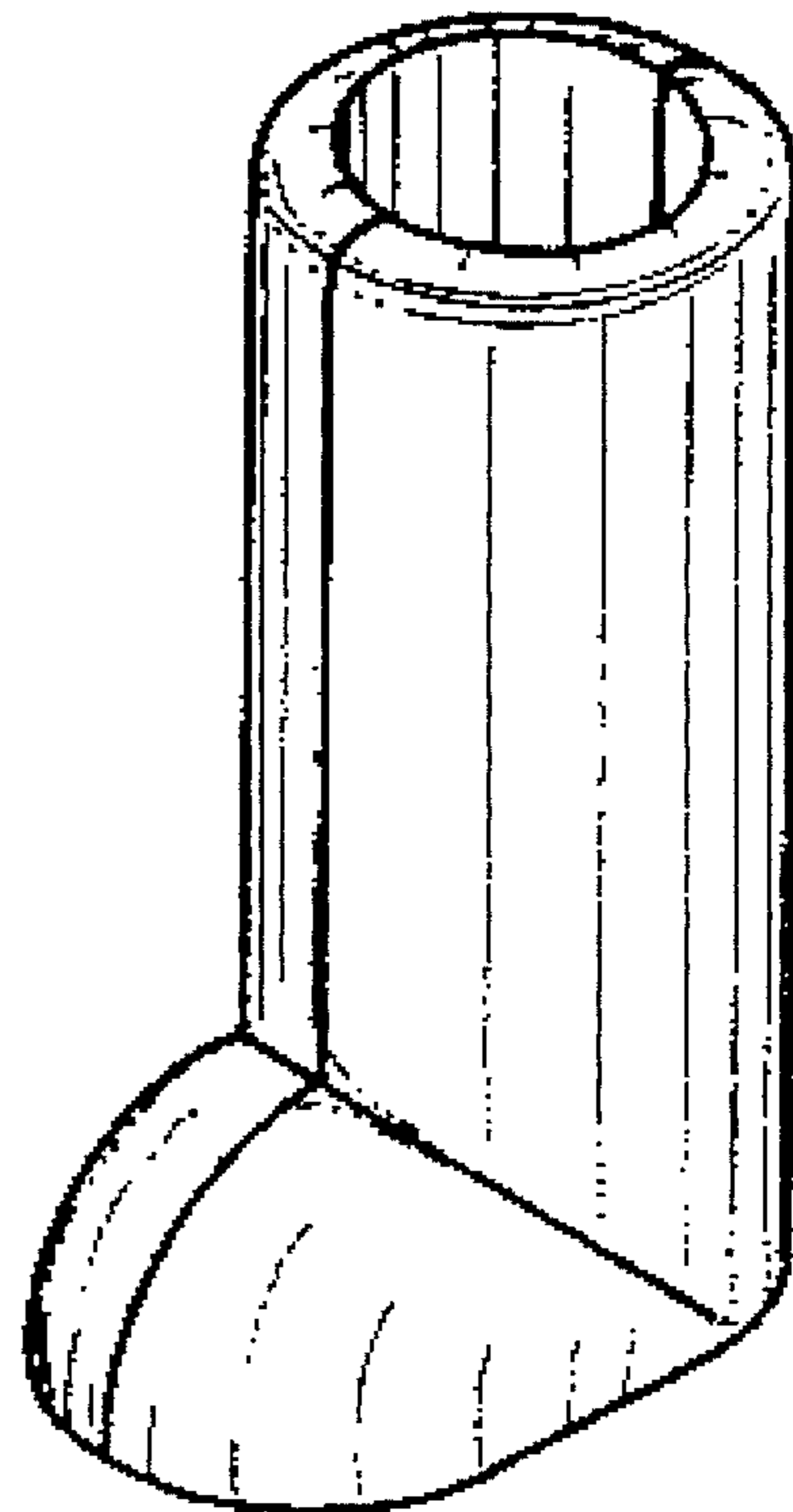
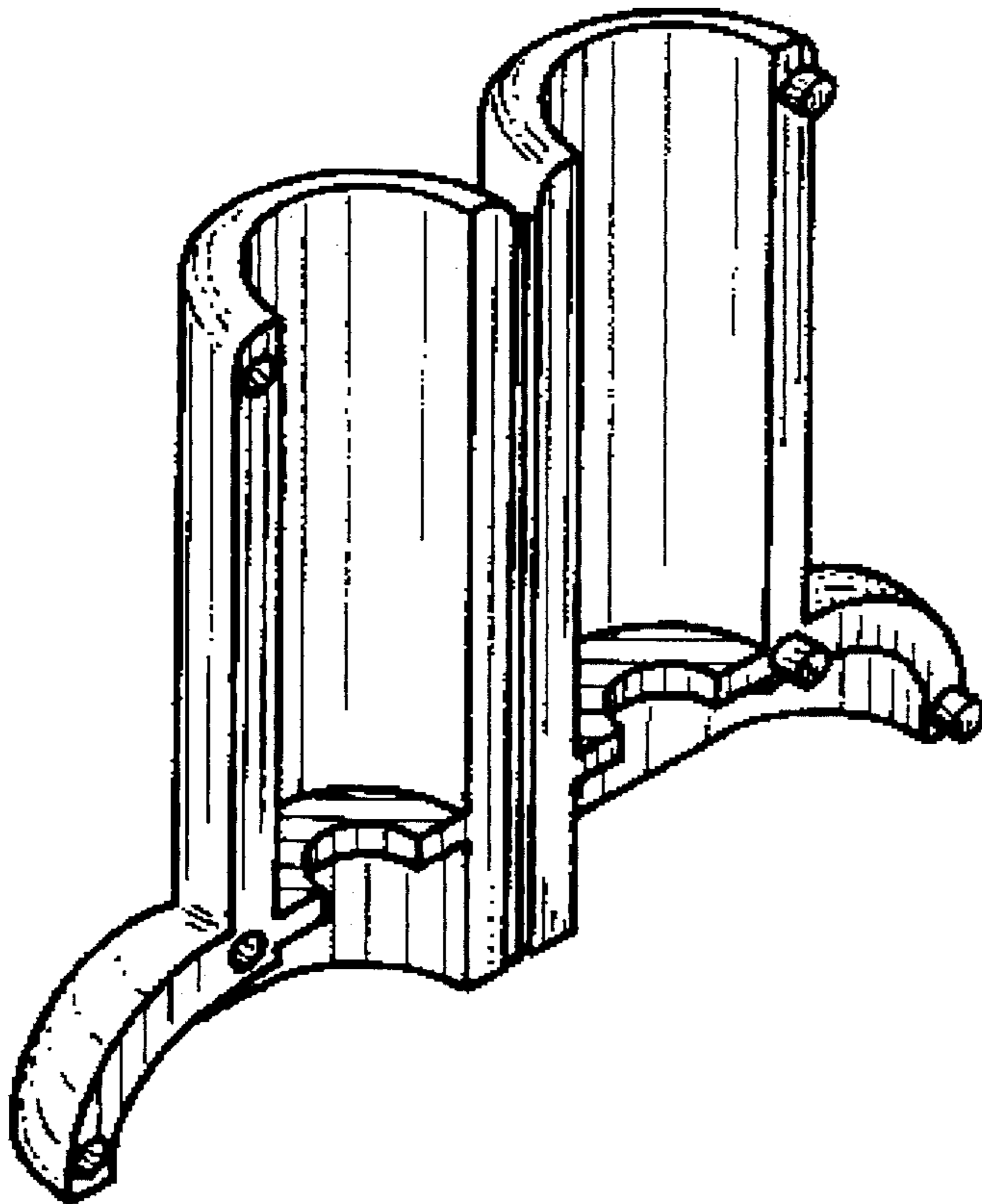
[56] **References Cited**

U.S. PATENT DOCUMENTS

D. 257,594	12/1980	Finnieston	D24/192
D. 278,735	5/1985	Nielsen	D21/166
D. 305,041	12/1989	Erickson	D21/108
D. 317,796	6/1991	Laursen	D21/108
D. 347,665	6/1994	Hatting	D21/108
D. 358,891	5/1995	Miller	D24/192

FIG. 1 is a top perspective view of the toy plaster bandage for a doll showing my new design;
FIG. 2 is a bottom perspective view thereof;
FIG. 3 is a top perspective view in an alternative position;
FIG. 4 is a right side elevational view thereof;
FIG. 5 is a rear elevational view thereof, the front view being a mirror image thereof;
FIG. 6 is a left side elevational view thereof;
FIG. 7 is a bottom plan view thereof; and,
FIG. 8 is a top plan view thereof.

1 Claim, 2 Drawing Sheets



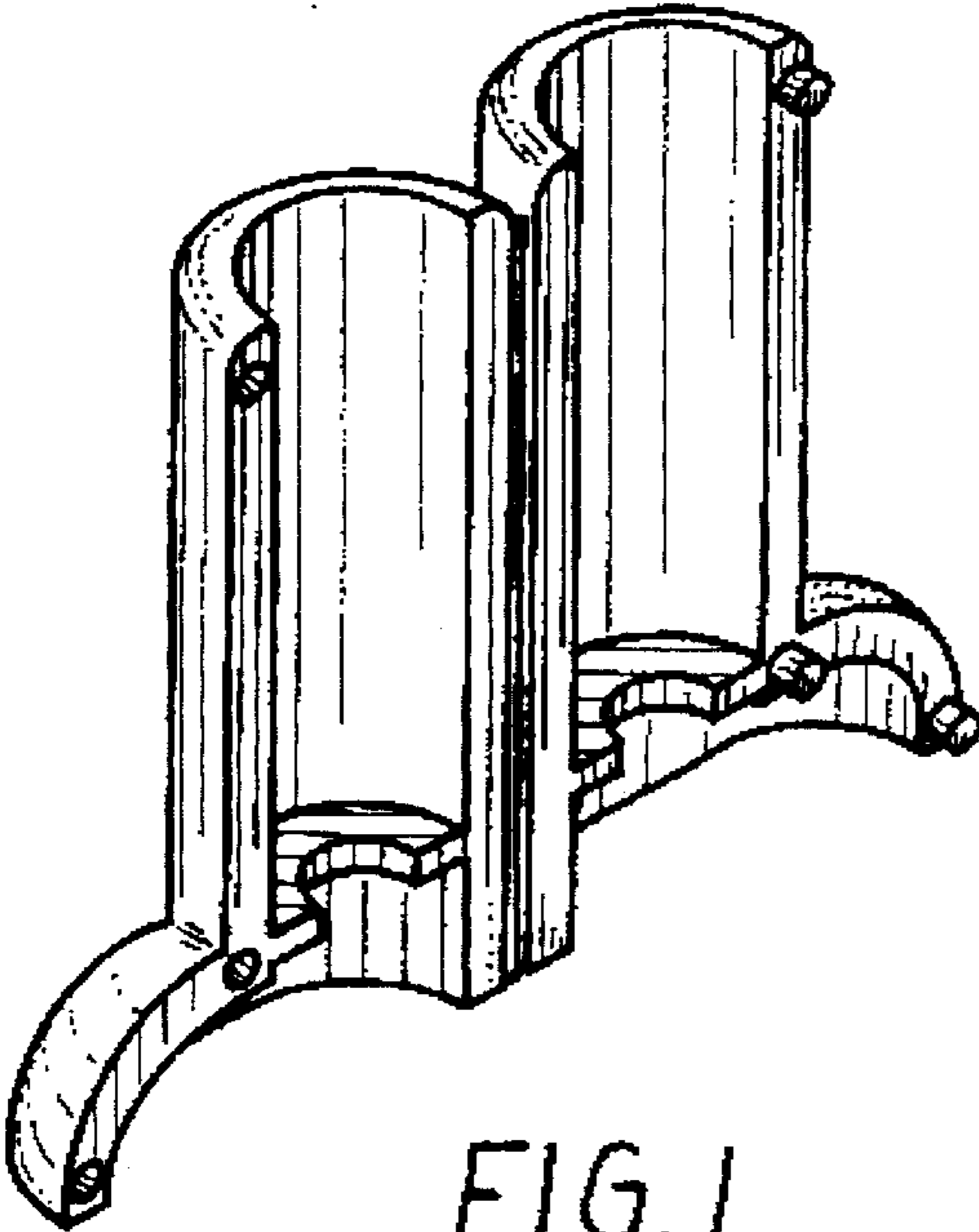


FIG. 1

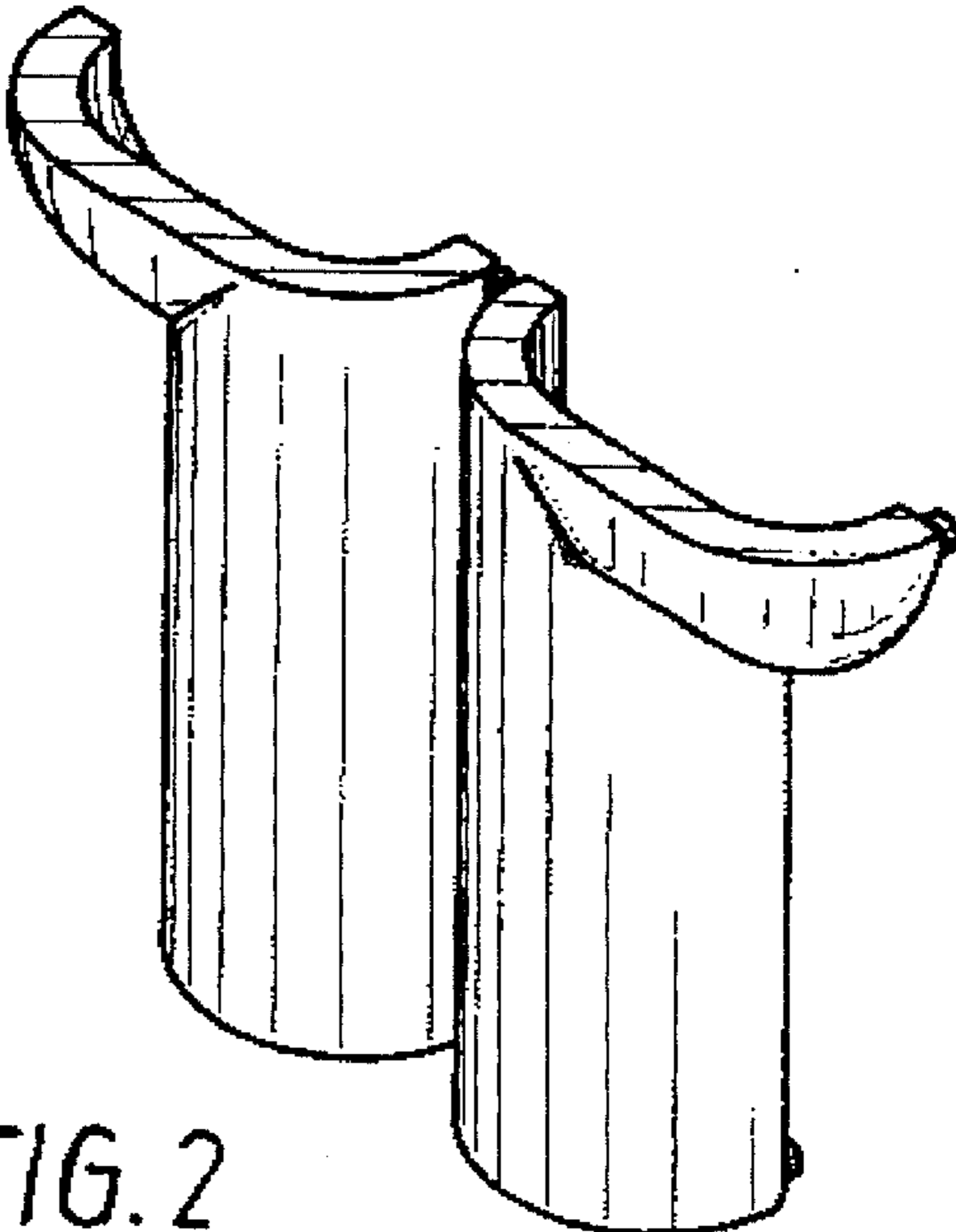


FIG. 2

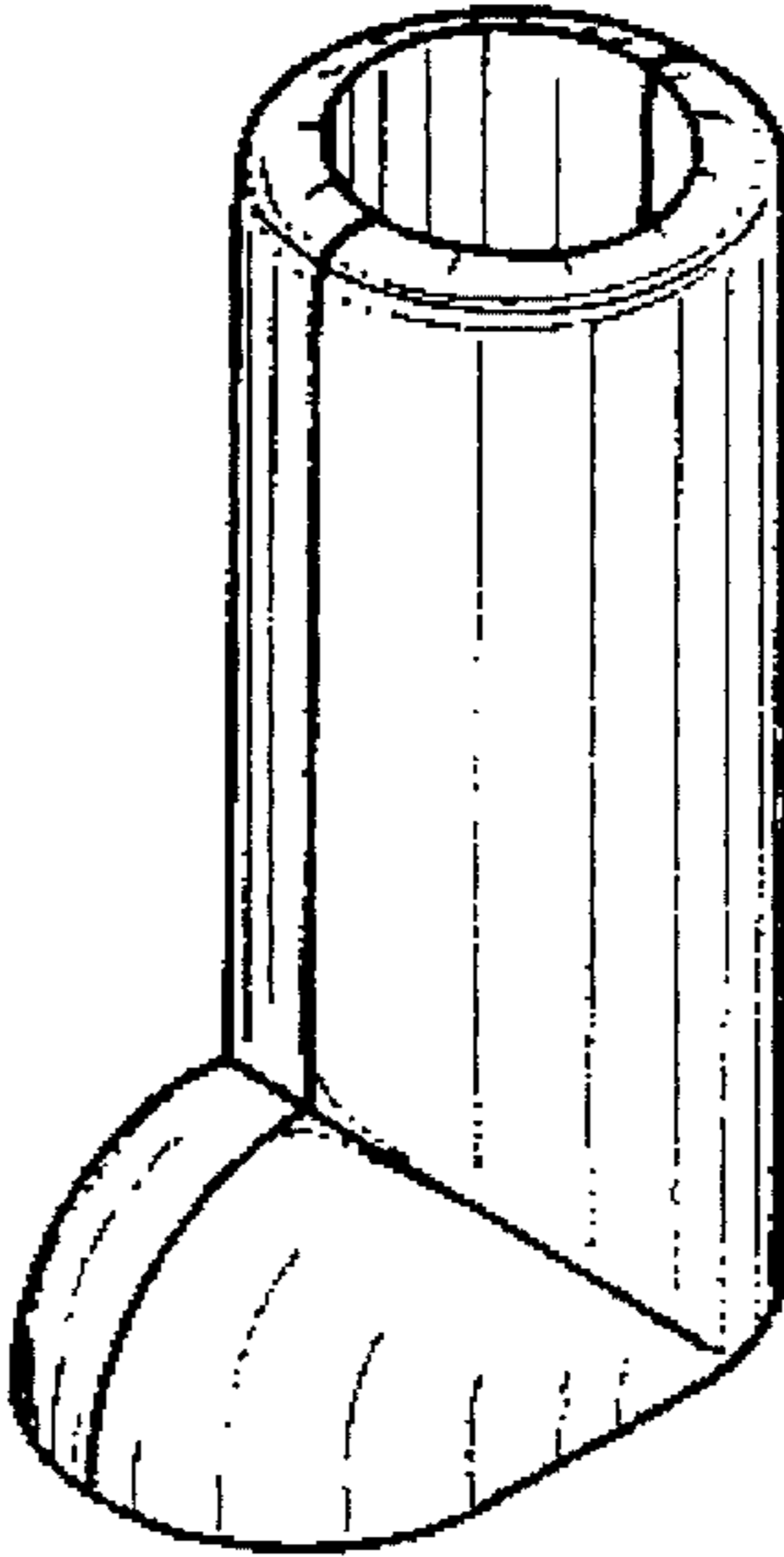


FIG. 3

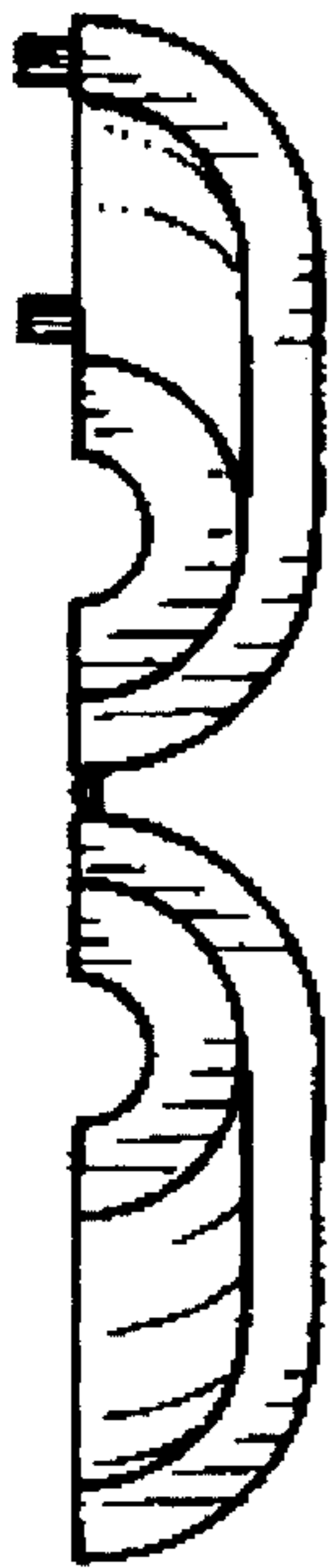


FIG. 7

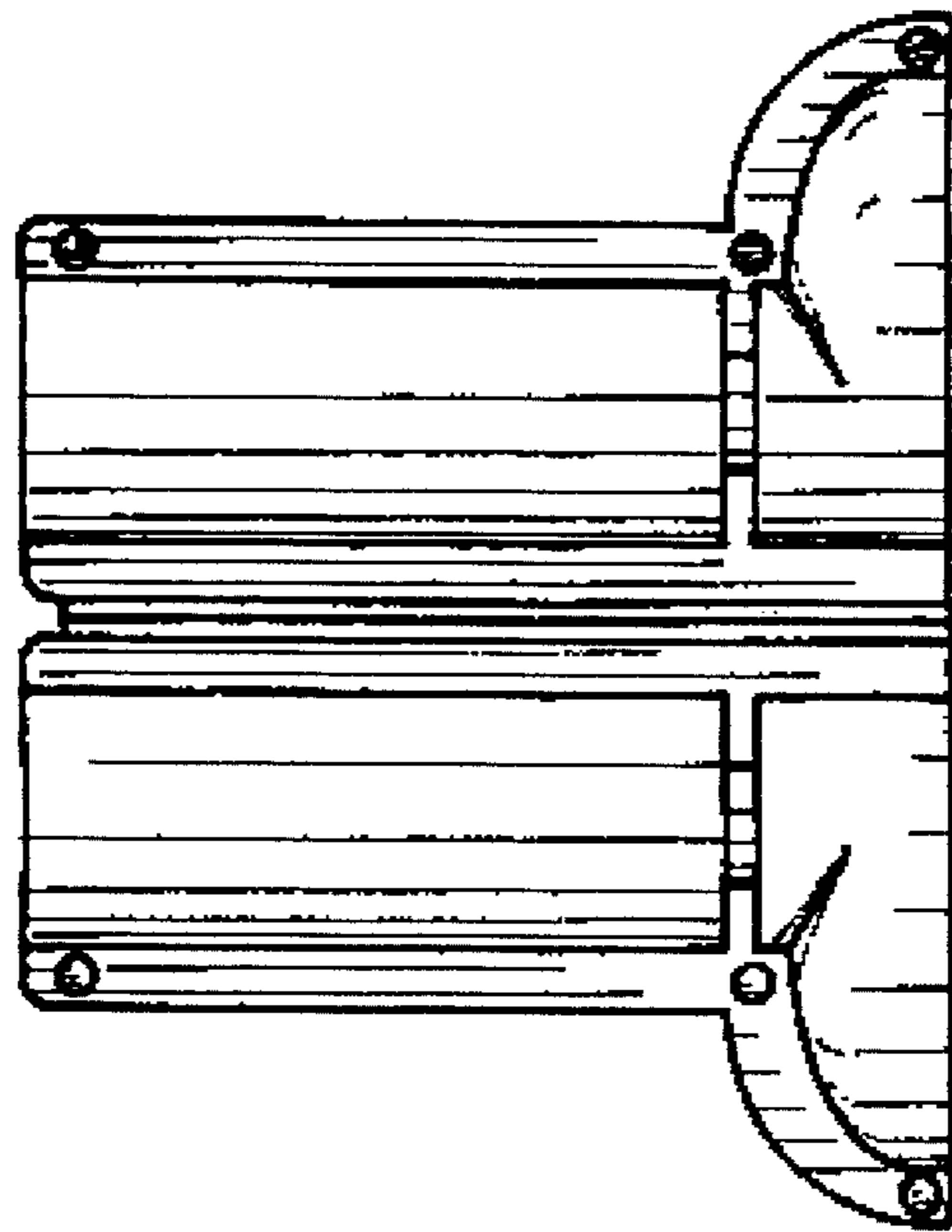


FIG. 6



FIG. 8

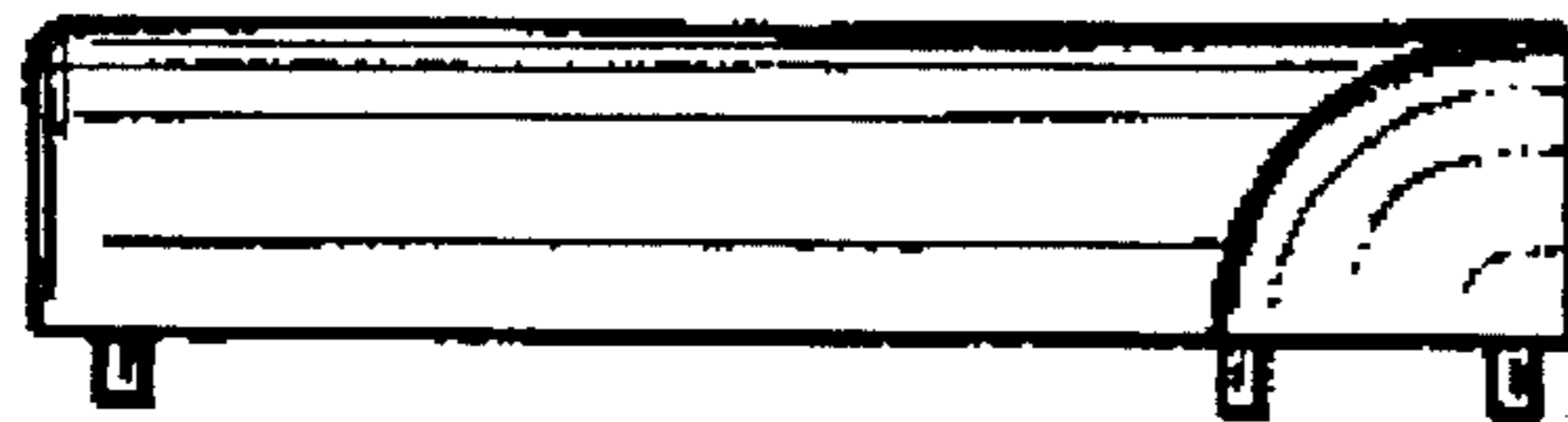


FIG. 5

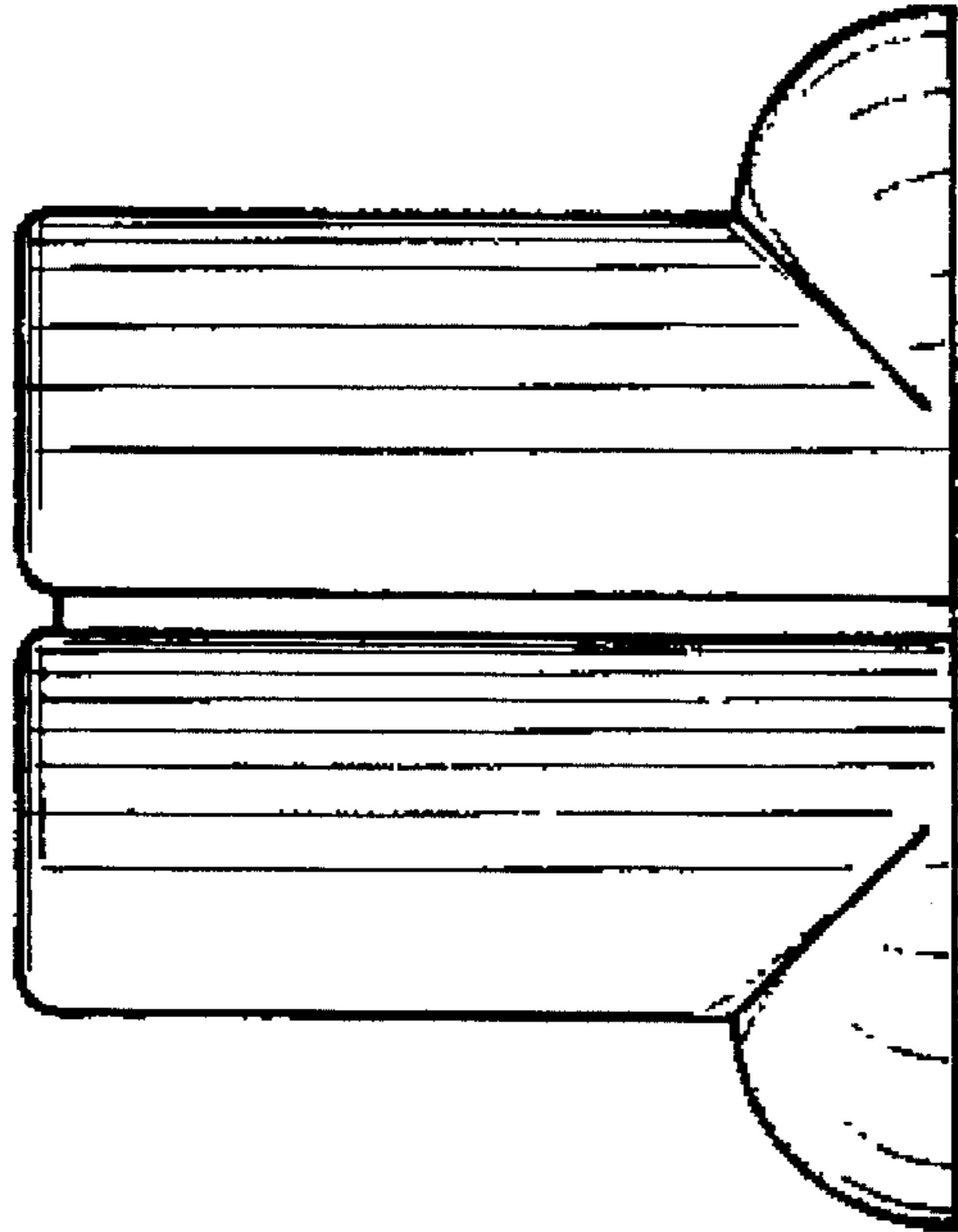


FIG. 4