



US00D372499S

United States Patent [19]

Carlson et al.

[11] Patent Number: **Des. 372,499**

[45] Date of Patent: ****Aug. 6, 1996**

[54] **NOTICE ASSEMBLY WITH ROTATABLE MESSAGE DISPLAY**

[75] Inventors: **Bruce W. Carlson**, Minneapolis;
Kenneth J. Kirchoff, Gem Lake, both of Minn.

[73] Assignee: **Minnesota Mining and Manufacturing Company**, St. Paul, Minn.

[**] Term: **14 Years**

[21] Appl. No.: **40,249**

[22] Filed: **Apr. 28, 1995**

Related U.S. Application Data

[63] Continuation-in-part of Ser. No. 31,919, Dec. 8, 1994, abandoned, which is a continuation of Ser. No. 14,809, Oct. 29, 1993, abandoned.

[52] U.S. Cl. **D19/65**; D19/52; D19/89; D19/90; D20/40

[58] **Field of Search** D20/10, 18, 21, D20/40; D19/52, 65, 75, 78, 81-85, 86, 88, 89, 90, 91, 99, 100; 211/10, 11, 13, 45, 50, 55; 40/124.1-124.4, 341-347, 152.1, 152, 308, 504, 506; 248/441.1, 442.2, 444.1, 458; 281/15 B, 45

[56] References Cited

U.S. PATENT DOCUMENTS

D. 251,792	5/1979	Moody et al.	D19/91
D. 319,076	8/1991	Smith	D19/91 X
D. 339,117	9/1993	Yang	D19/90 X
675,287	5/1901	McLean	40/341
1,715,259	5/1929	Vose	40/506
2,530,702	11/1950	Johnson	40/343 X
3,015,178	1/1962	Rutkowski	40/124.1 X
3,245,164	4/1966	Arenson	40/65
3,304,916	2/1967	Abernathy	120/3
4,021,953	5/1977	Couch	40/308

4,086,715	5/1978	Blanigen	40/504
4,136,472	1/1979	Delvo	40/347 X
4,395,056	7/1983	Sferragatta	281/31
4,496,127	1/1985	Nelson	248/441.1
4,722,145	2/1988	Prest	40/84
5,099,594	3/1992	Reas et al.	40/93
5,230,535	7/1993	Figlenski	248/441.1

Primary Examiner—Martie Thompson
Attorney, Agent, or Firm—Gary L. Griswold; Walter N. Kim; William L. Huebsch

[57] CLAIM

The ornamental design for a notice assembly with rotatable message display, as shown and described.

DESCRIPTION

FIG. 1 is a top, left, front isometric view of a first embodiment of a notice assembly with rotatable message display showing our new design;

FIG. 2 is a front elevational view thereof;

FIG. 3 is a rear elevational view thereof;

FIG. 4 is a left side elevational view thereof, the right side elevational view being the mirror image thereof;

FIG. 5 is a top plan view thereof;

FIG. 6 is a bottom plan view thereof;

FIG. 7 is a top, left, front isometric view of a second embodiment of a notice assembly with rotatable message display showing our new design;

FIG. 8 is a front elevational view of the embodiment of the notice assembly with rotatable message display shown in FIG. 7;

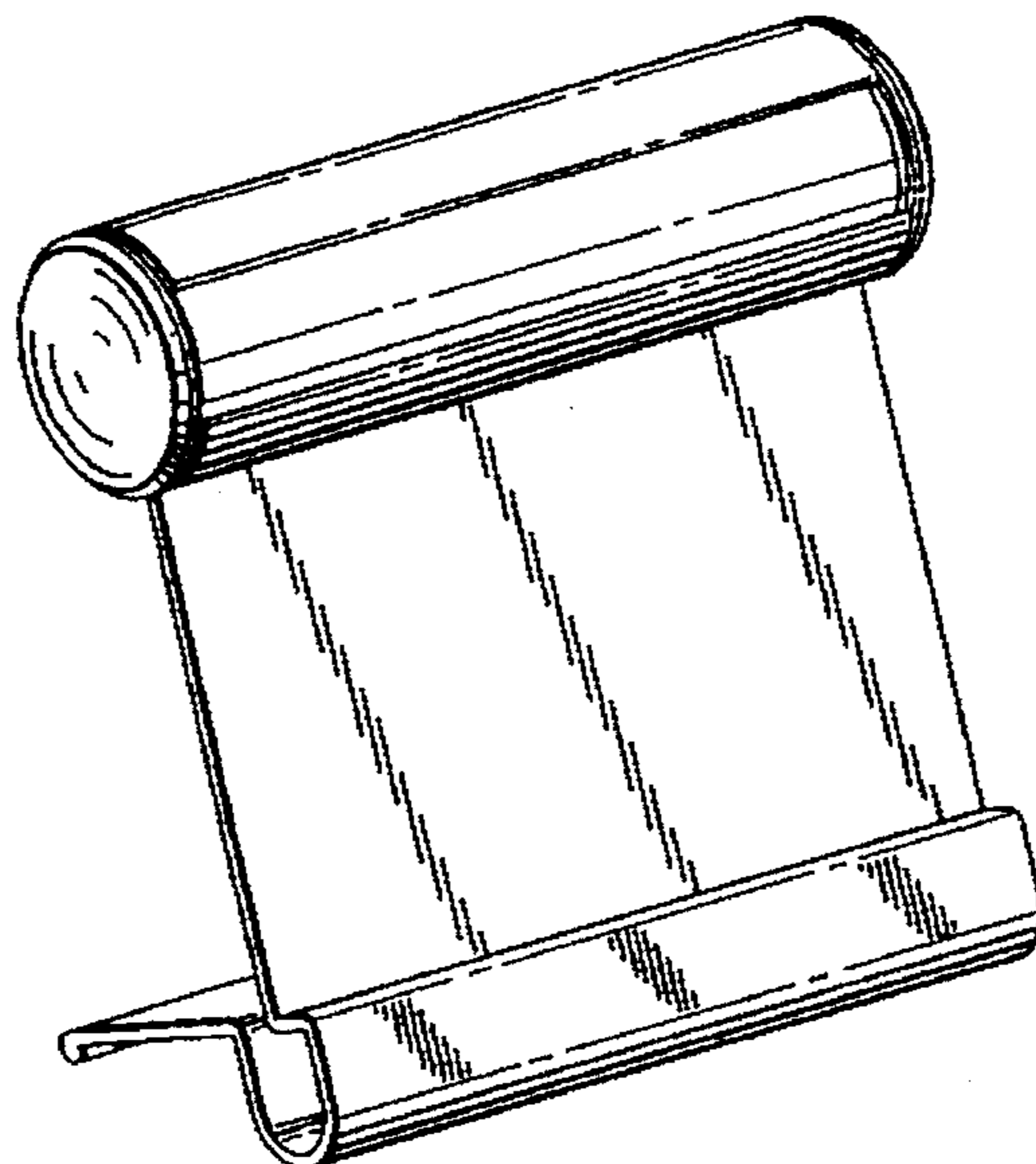
FIG. 9 is a rear elevational view of the notice assembly with rotatable message display shown in FIG. 7;

FIG. 10 is a left side elevational view of the notice assembly with rotatable message display shown in FIG. 7, the right side elevational view being the mirror image thereof;

FIG. 11 is a top plan view of the notice assembly with rotatable message display shown in FIG. 7; and,

FIG. 12 is a bottom plan view of the notice assembly with rotatable message display shown in FIG. 7.

1 Claim, 4 Drawing Sheets



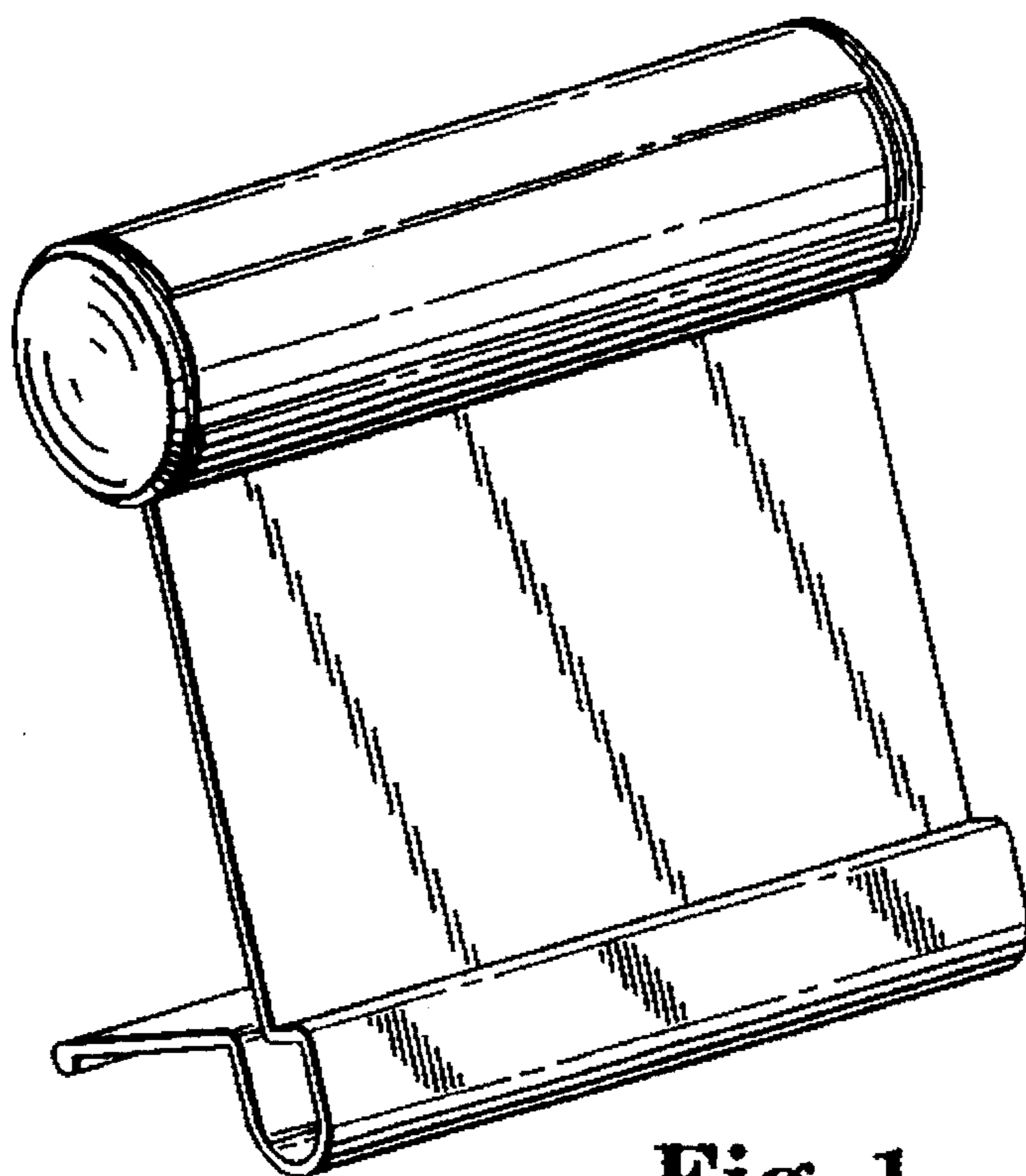


Fig. 1

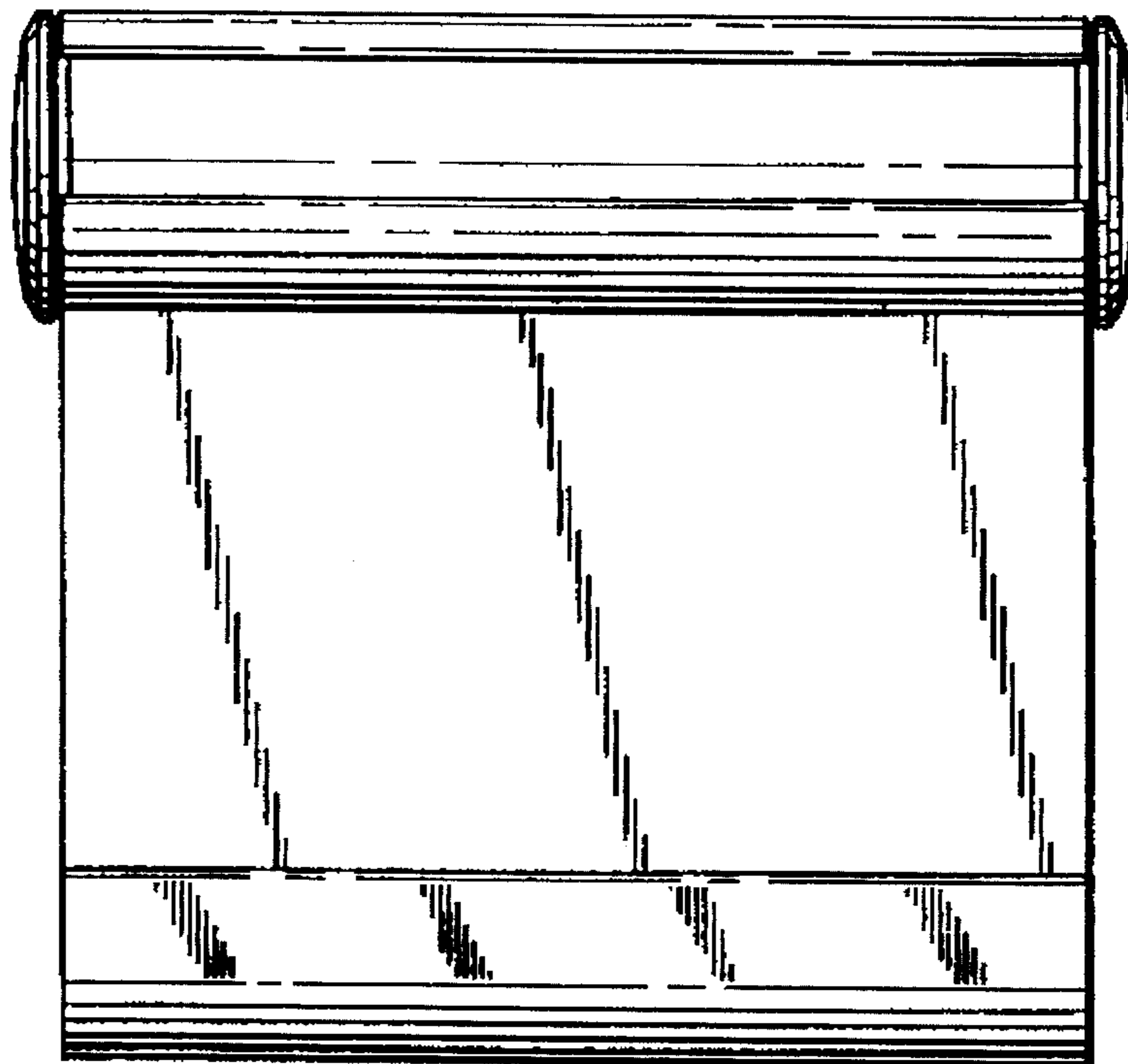


Fig. 2

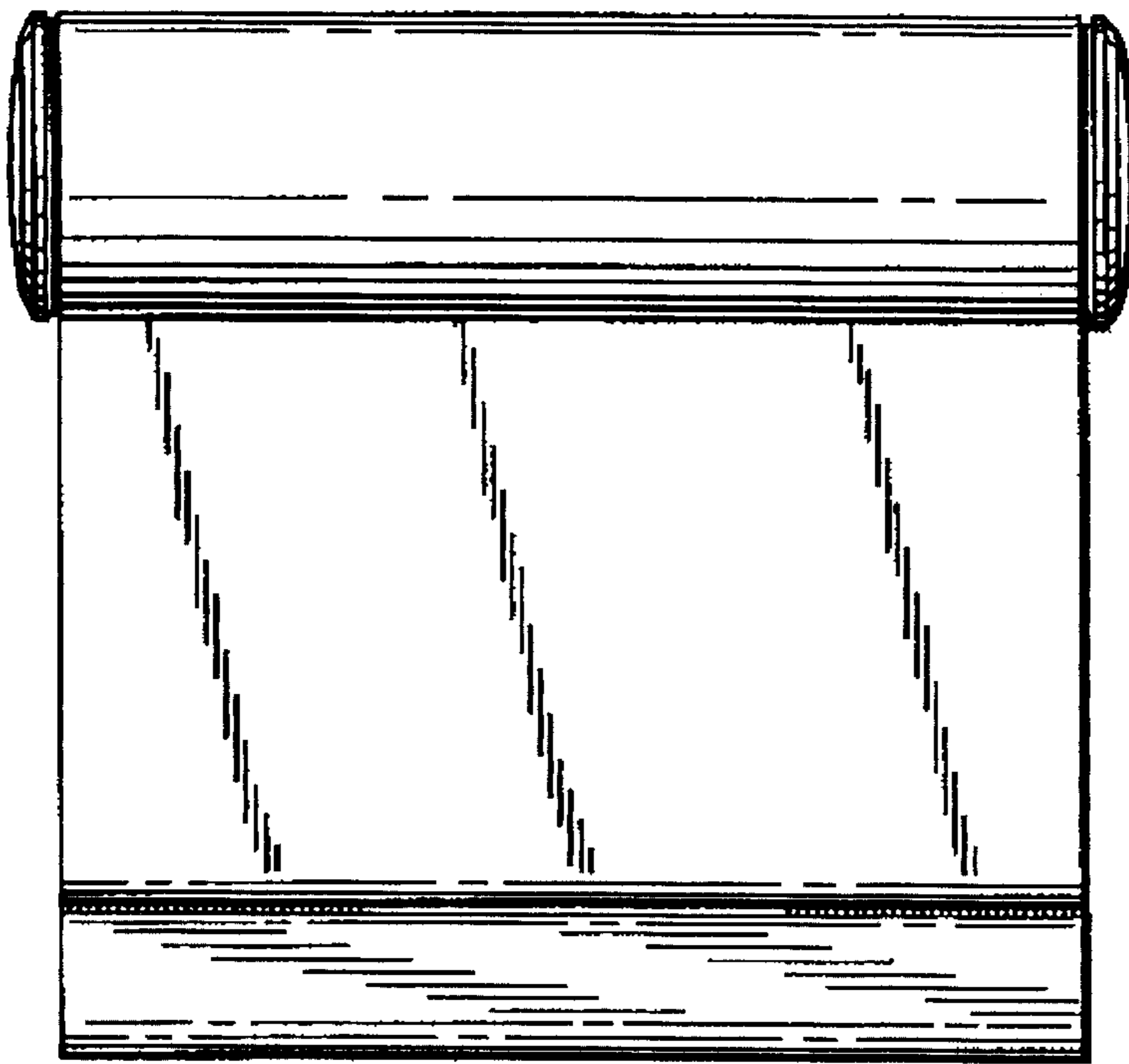


Fig. 3

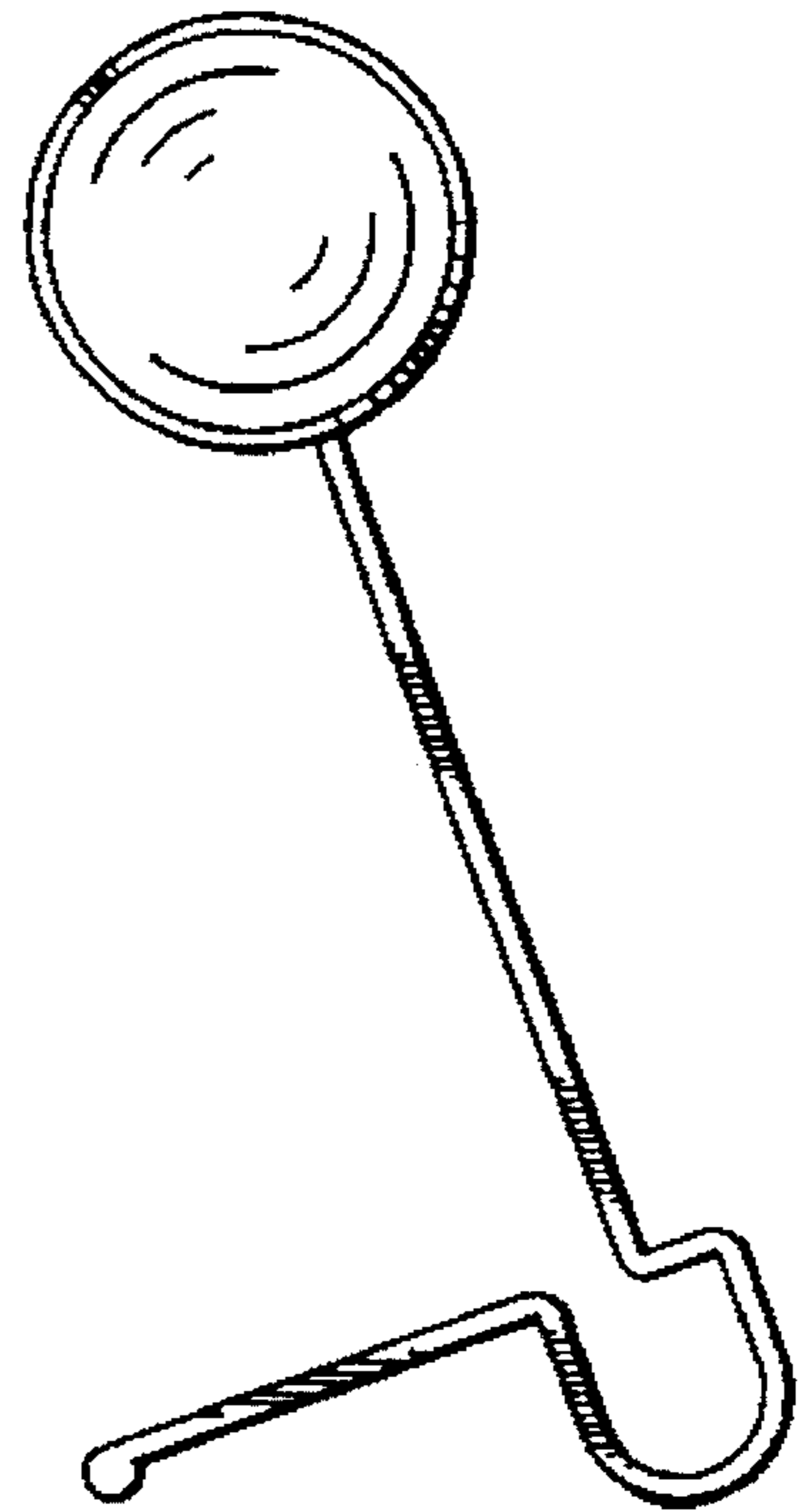


Fig. 4

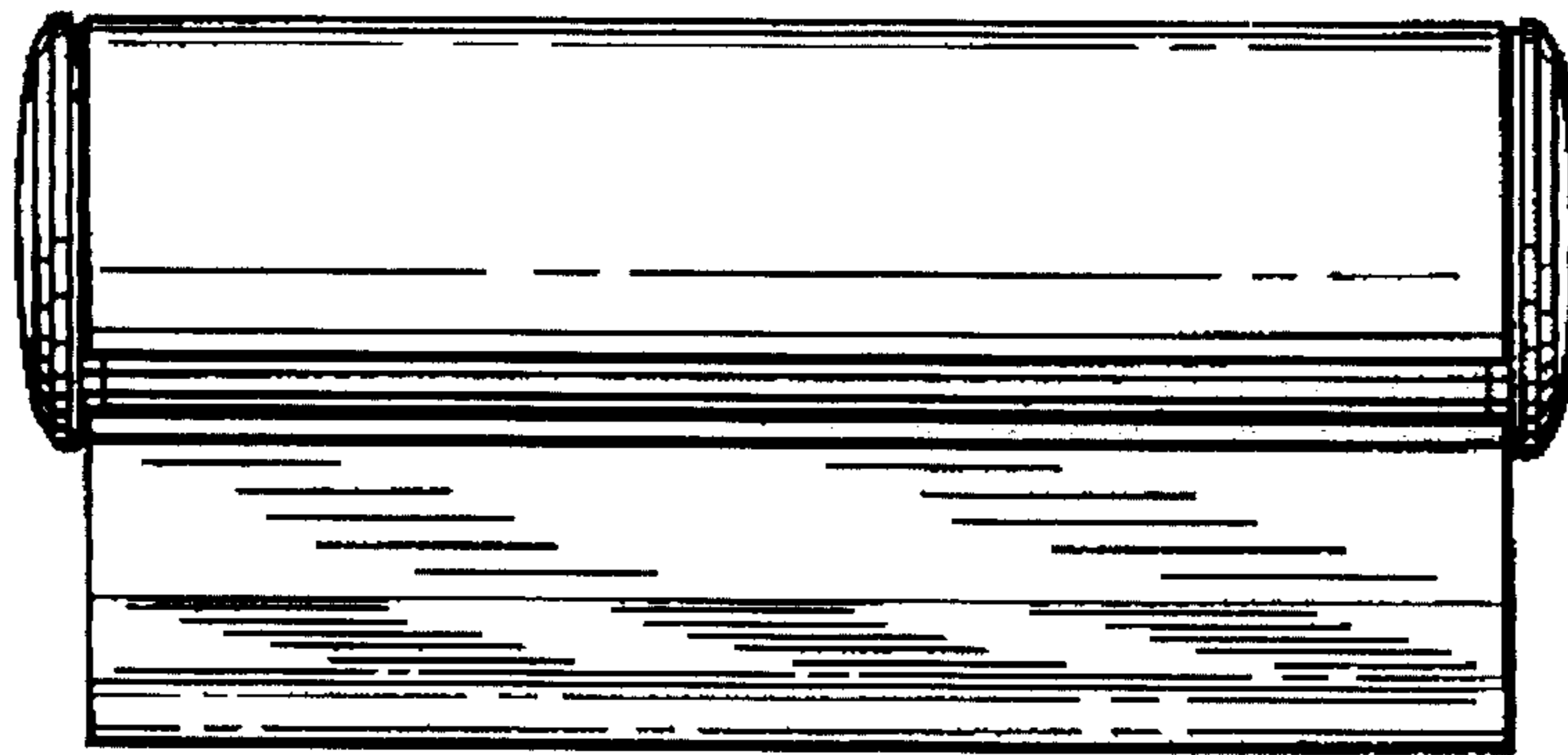


Fig. 5

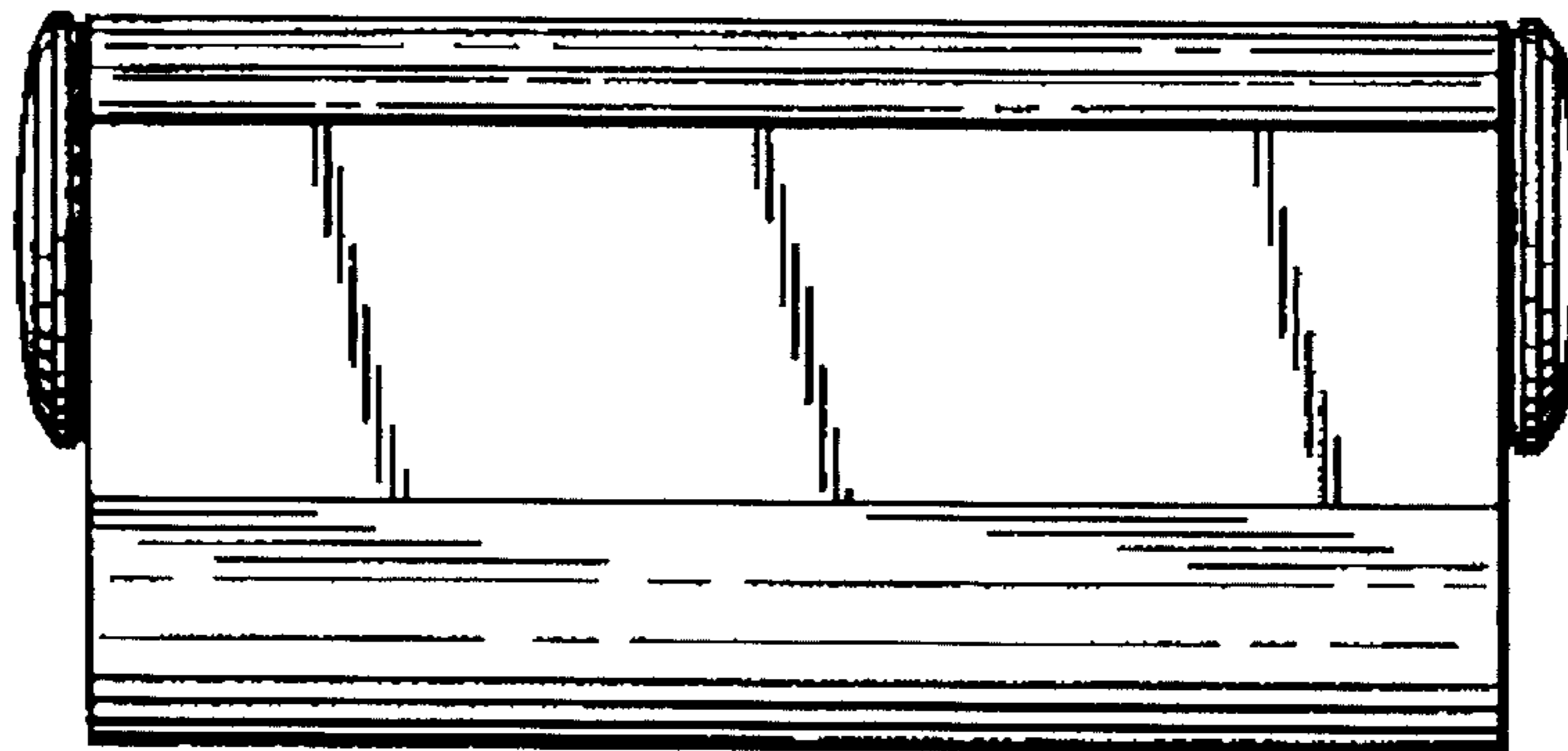


Fig. 6

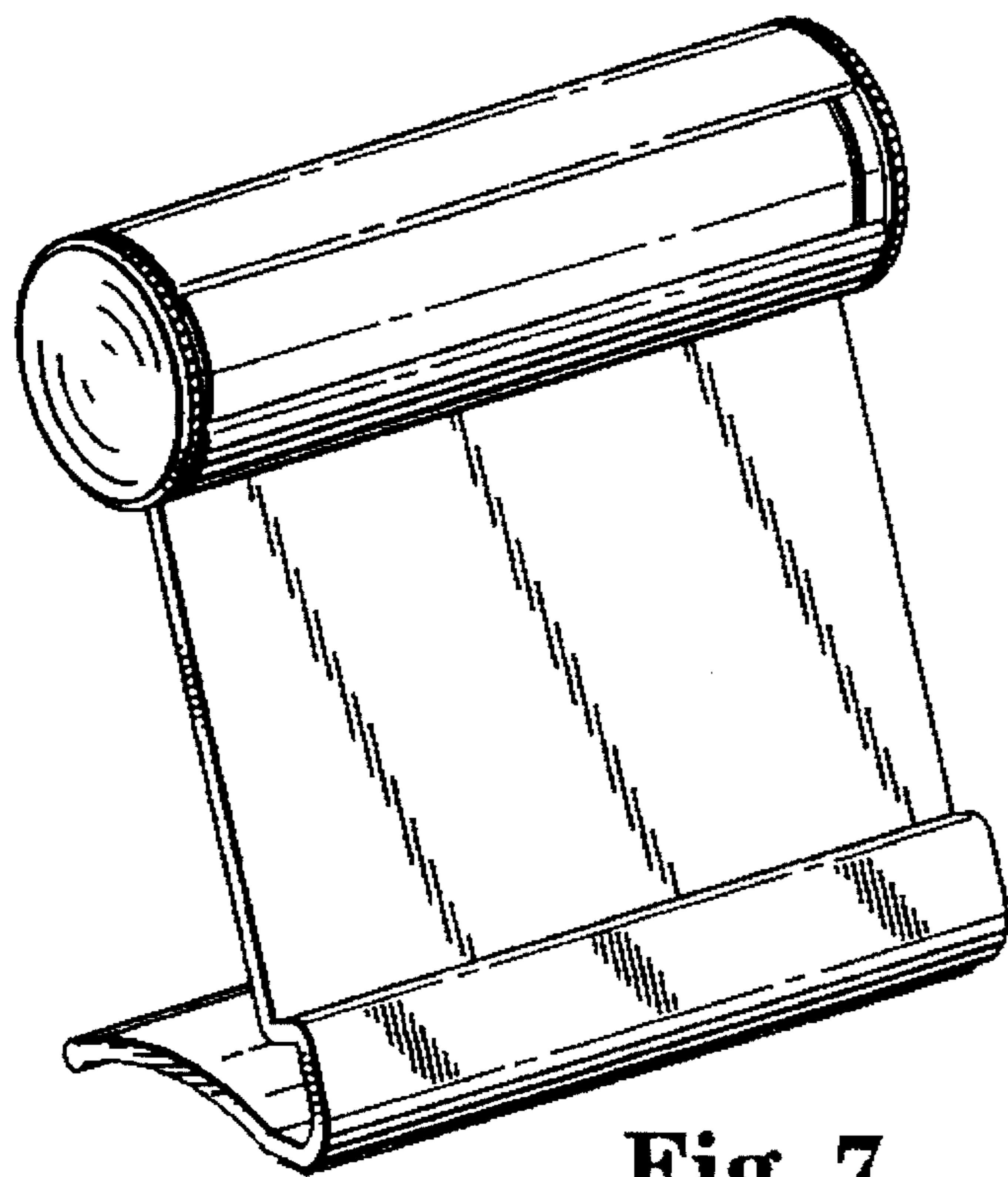


Fig. 7

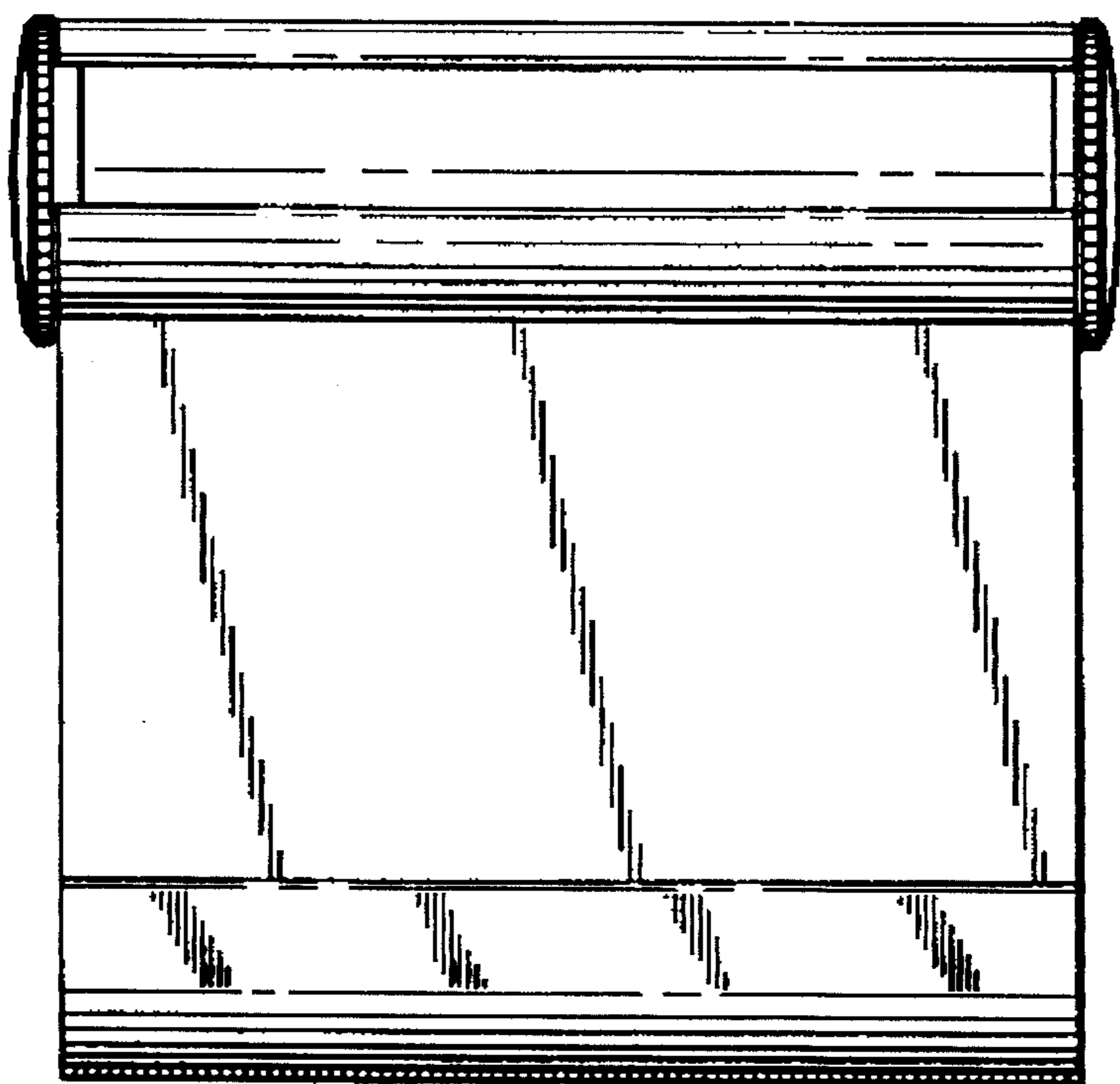


Fig. 8

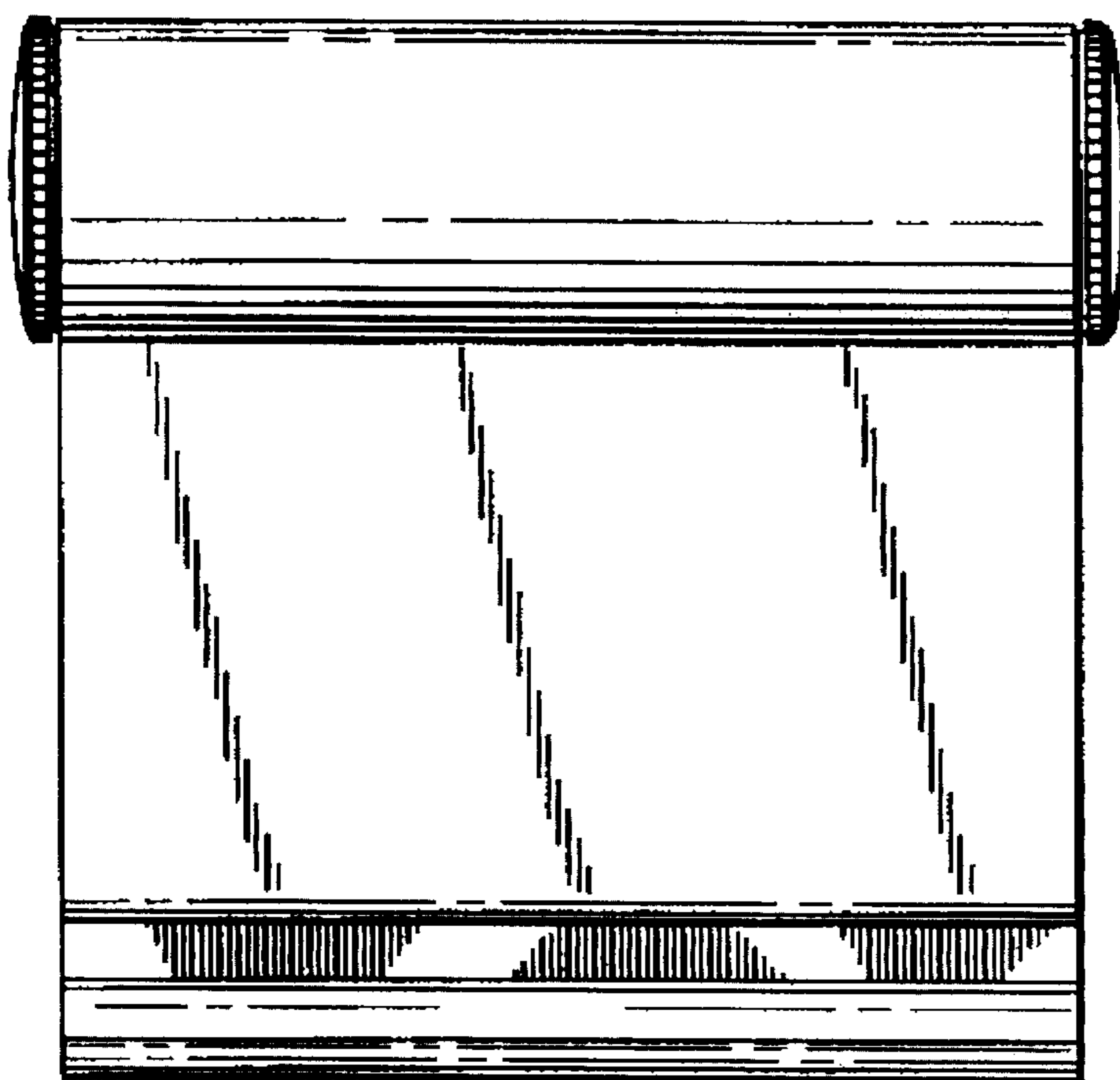


Fig. 9

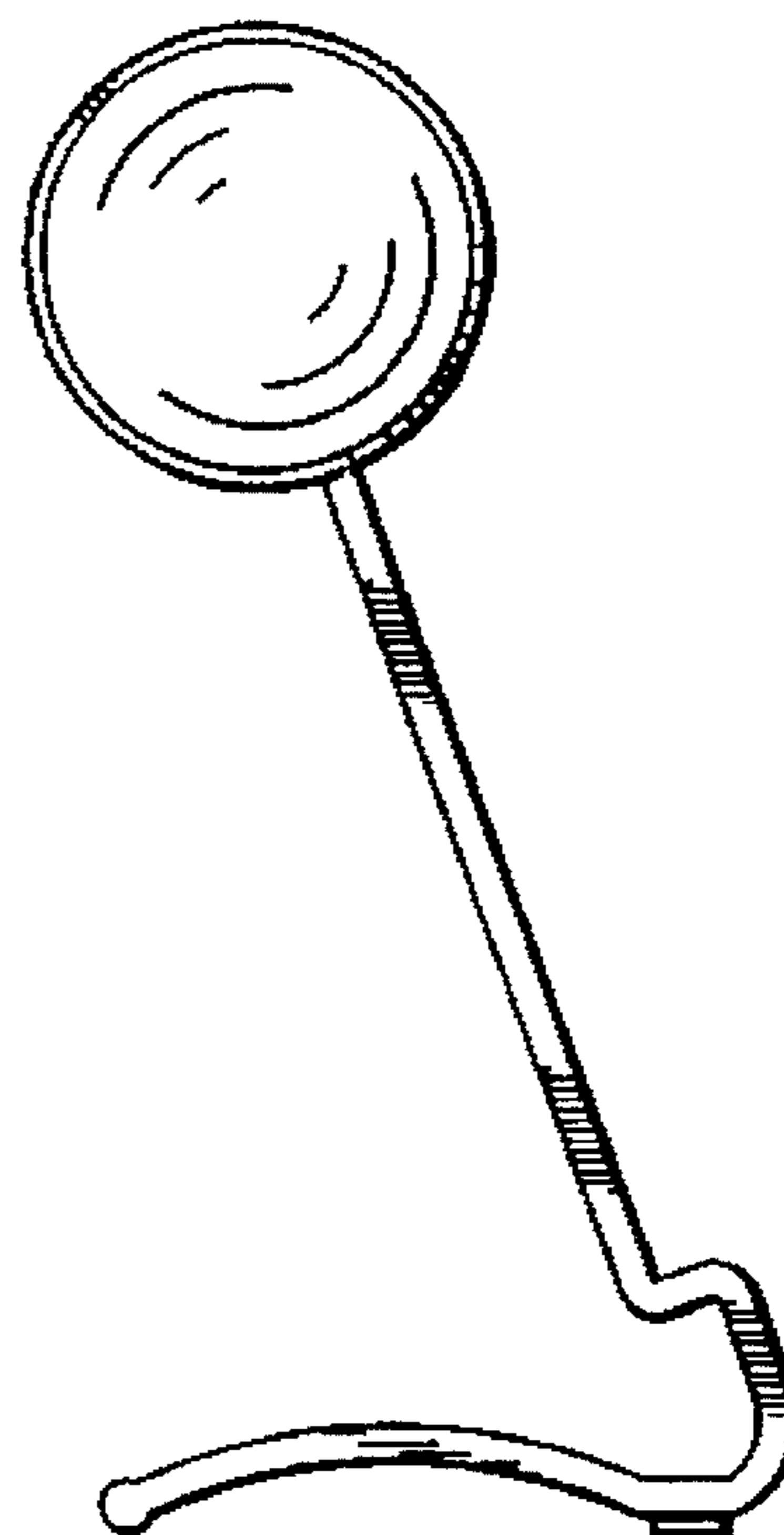


Fig. 10

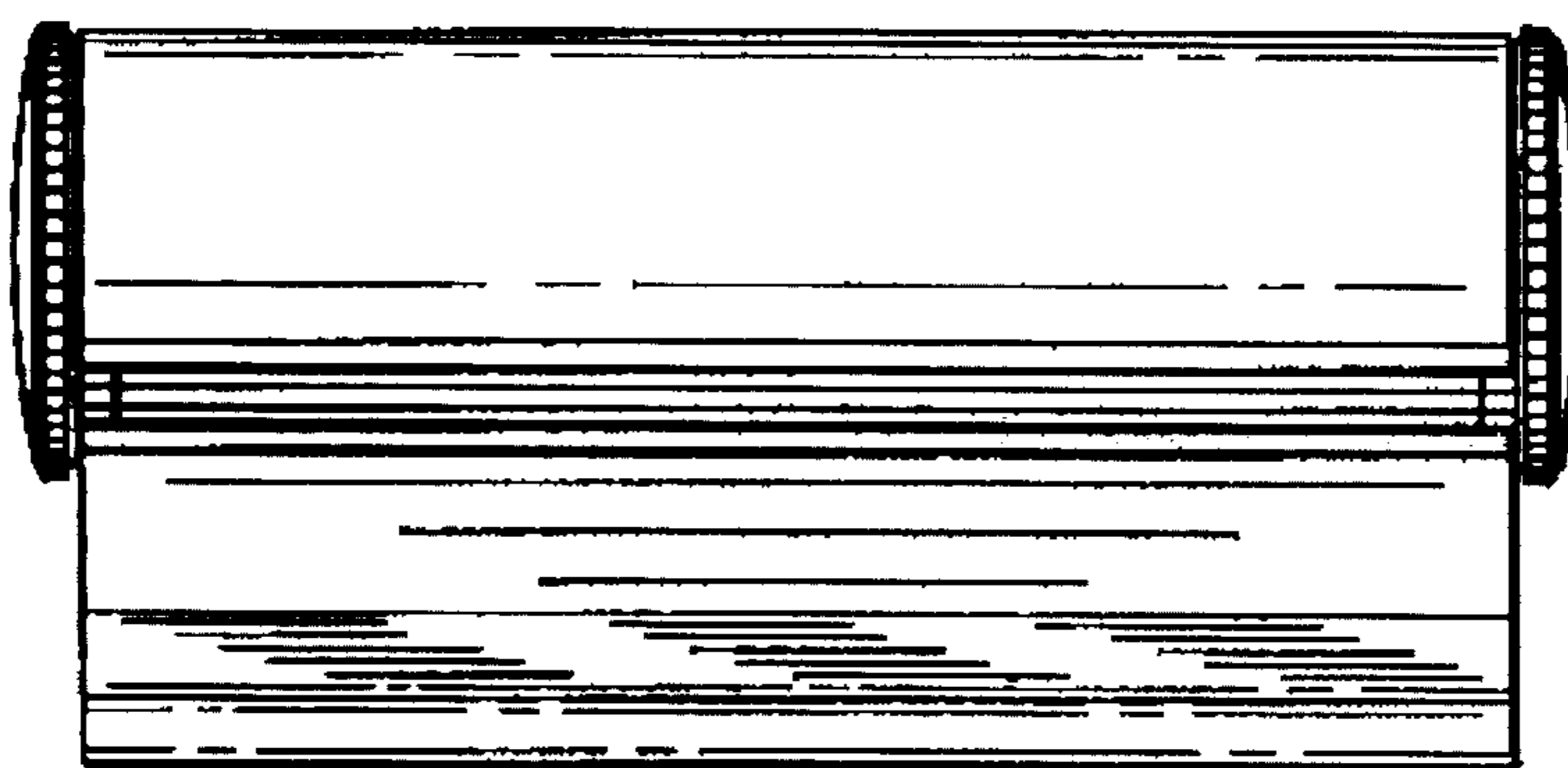


Fig. 11

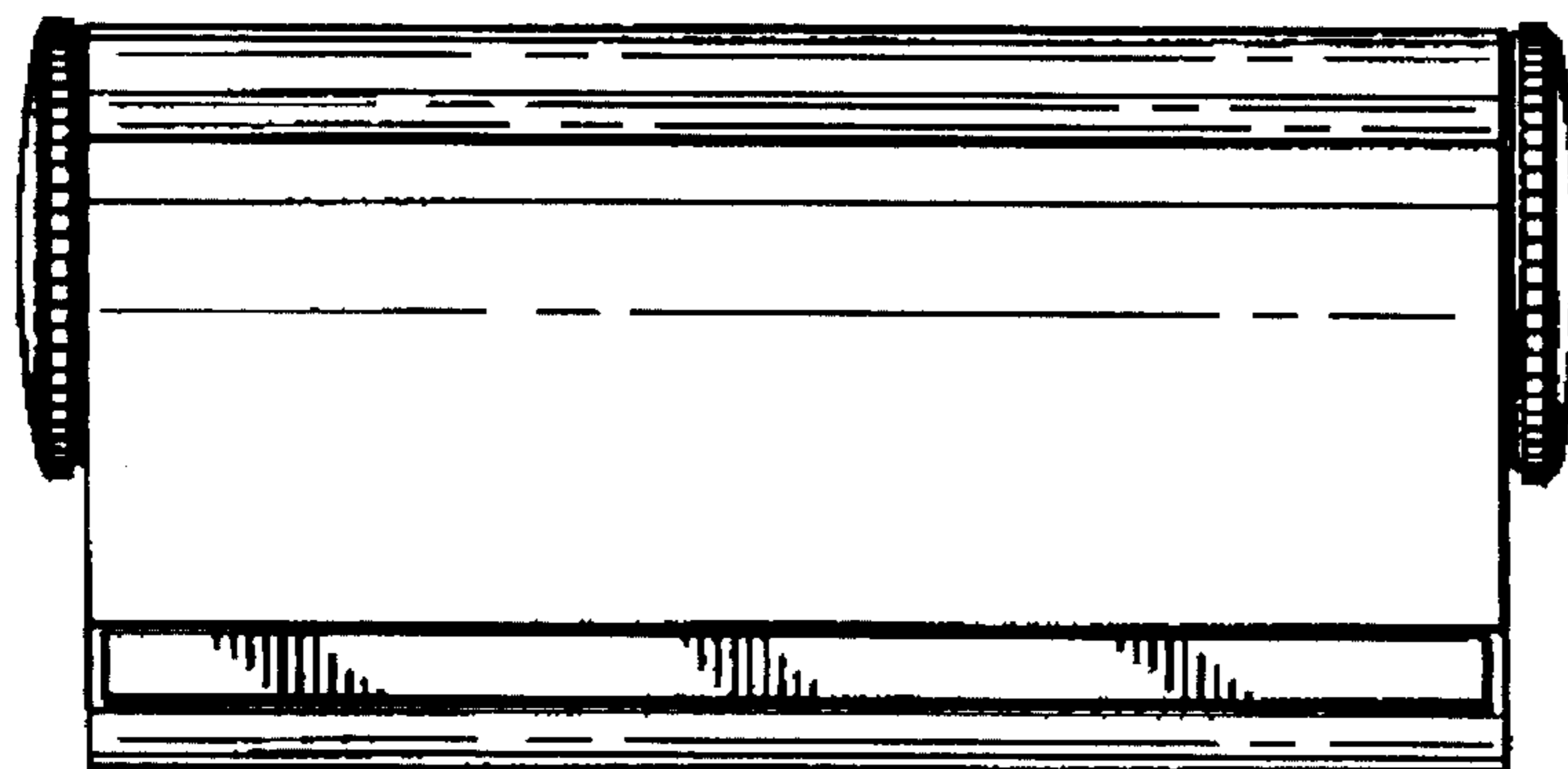


Fig. 12