



US00D372493S

United States Patent [19]

[11] Patent Number: **Des. 372,493**

Sculler

[45] Date of Patent: ***** Aug. 6, 1996**

[54] **HAND STAMP HANDLE TOP**

[75] Inventor: **Steven J. Sculler**, Manalapan, N.J.

[73] Assignee: **M&R Marking Systems, Inc.**,
Piscataway, N.J.

[*] Notice: The portion of the term of this patent subsequent to Apr. 26, 2008, has been disclaimed.

[**] Term: **14 Years**

3,302,566	2/1967	Blanchet	101/405
3,303,780	2/1967	Munson	101/406
3,357,351	12/1967	Munson	101/406
3,359,897	12/1967	Harte	101/334
3,380,378	4/1968	Edwards et al.	D18/15
3,431,840	3/1969	Munson	101/111
4,998,473	3/1991	Laureyns	101/327
5,115,729	5/1992	Beckman et al.	101/327
5,261,325	11/1993	Bengtsson	101/327

FOREIGN PATENT DOCUMENTS

1217717	4/1902	France	101/405
2720367	11/1978	Germany .	

OTHER PUBLICATIONS

Advertisement featuring "2000 Plus" dater stamps in Marking Industry Magazine—Aug. 1993.

Primary Examiner—Cathy Anne MacCormac
Attorney, Agent, or Firm—Lerner, David, Littenberg, Krumholz & Mentlik

[21] Appl. No.: **23,734**

[22] Filed: **May 31, 1994**

[52] U.S. Cl. **D18/18**

[58] Field of Search 101/405-406,
101/333, 327, 334, 371-372; D18/15, 17,
18

[56] References Cited

U.S. PATENT DOCUMENTS

D. 227,003	5/1973	Graham	D18/15
D. 231,027	3/1974	Funahashi	D18/15
D. 232,001	7/1974	Funahashi	D18/15
D. 266,257	9/1982	Ahrens	D18/15
D. 267,496	1/1983	Goldstein	D18/15
D. 273,120	3/1984	Ito	D18/15
D. 280,644	9/1985	Ichikawa	D18/15
D. 284,014	5/1986	Iwasaki et al.	D18/15
D. 321,365	11/1991	Bostick	D18/15
D. 346,396	4/1994	Sculler	D18/18
827,347	7/1906	Campbell	101/334
2,038,338	4/1936	Baumgarten	101/103
2,079,080	5/1937	Melind	101/334
2,088,009	7/1937	Melind	101/111
2,096,340	10/1937	Richeson	101/111
2,176,160	10/1939	Uhl, Jr.	101/381
2,252,649	8/1941	Smallman	101/333
2,314,828	3/1943	Humphries	101/334
2,598,806	6/1952	Lauer	101/103
2,994,266	8/1961	Sparrow	101/380

[57] CLAIM

The ornamental design for a hand stamp handle top, as shown and described in the drawings.

DESCRIPTION

FIG. 1 is a front perspective view of a hand stamp handle top showing my new design;

FIG. 2 is a top plan view thereof;

FIG. 3 is a left side elevational view thereof, the right side being identical;

FIG. 4 is a rear elevational view thereof;

FIG. 5 is a front perspective view of a second embodiment of FIG. 1; and,

FIG. 6 is a left side elevational view thereof, the rear and right side are identical.

The broken lines are for illustrative purposes only and for no part of the claimed design.

1 Claim, 1 Drawing Sheet

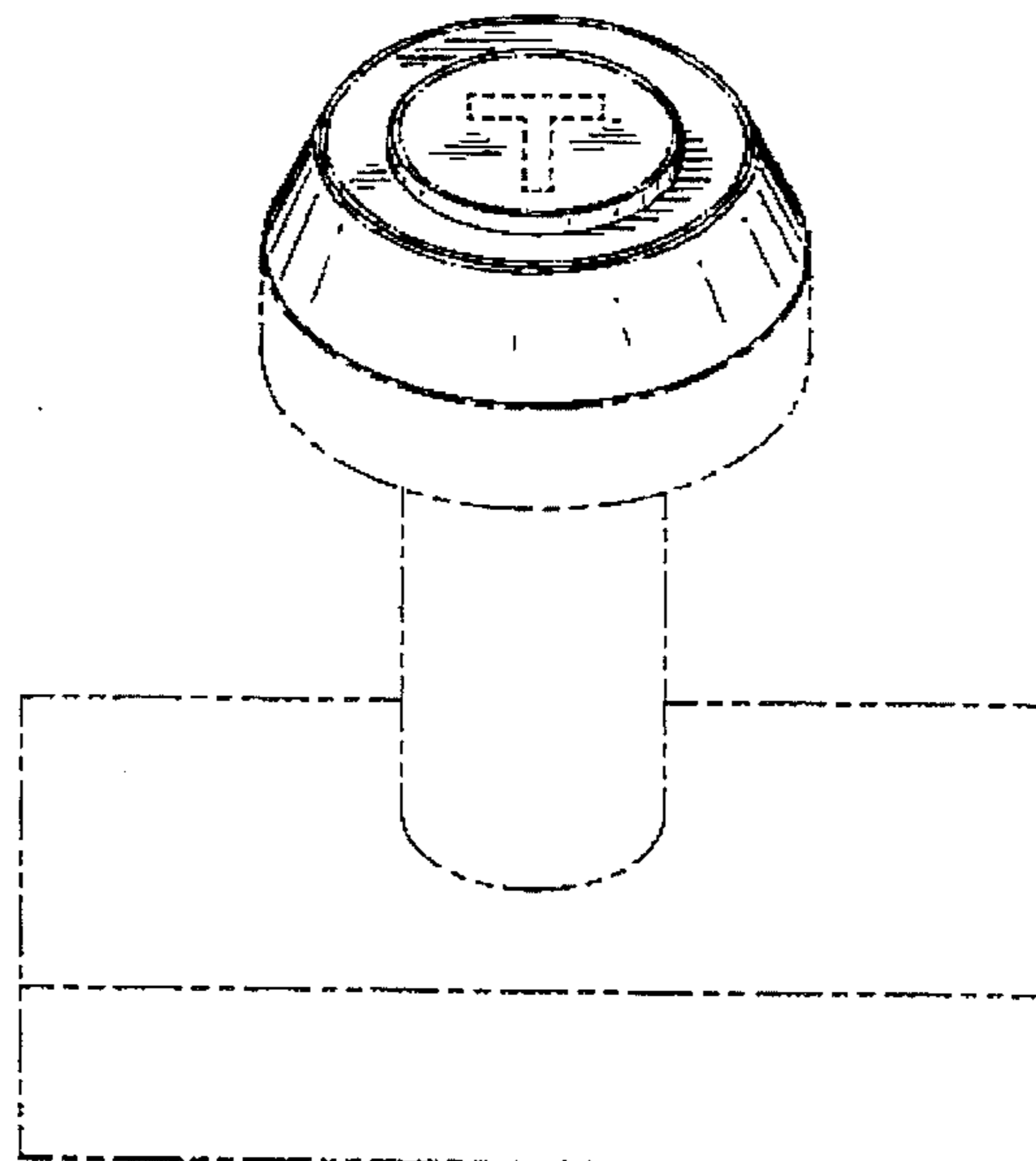


FIG. 1

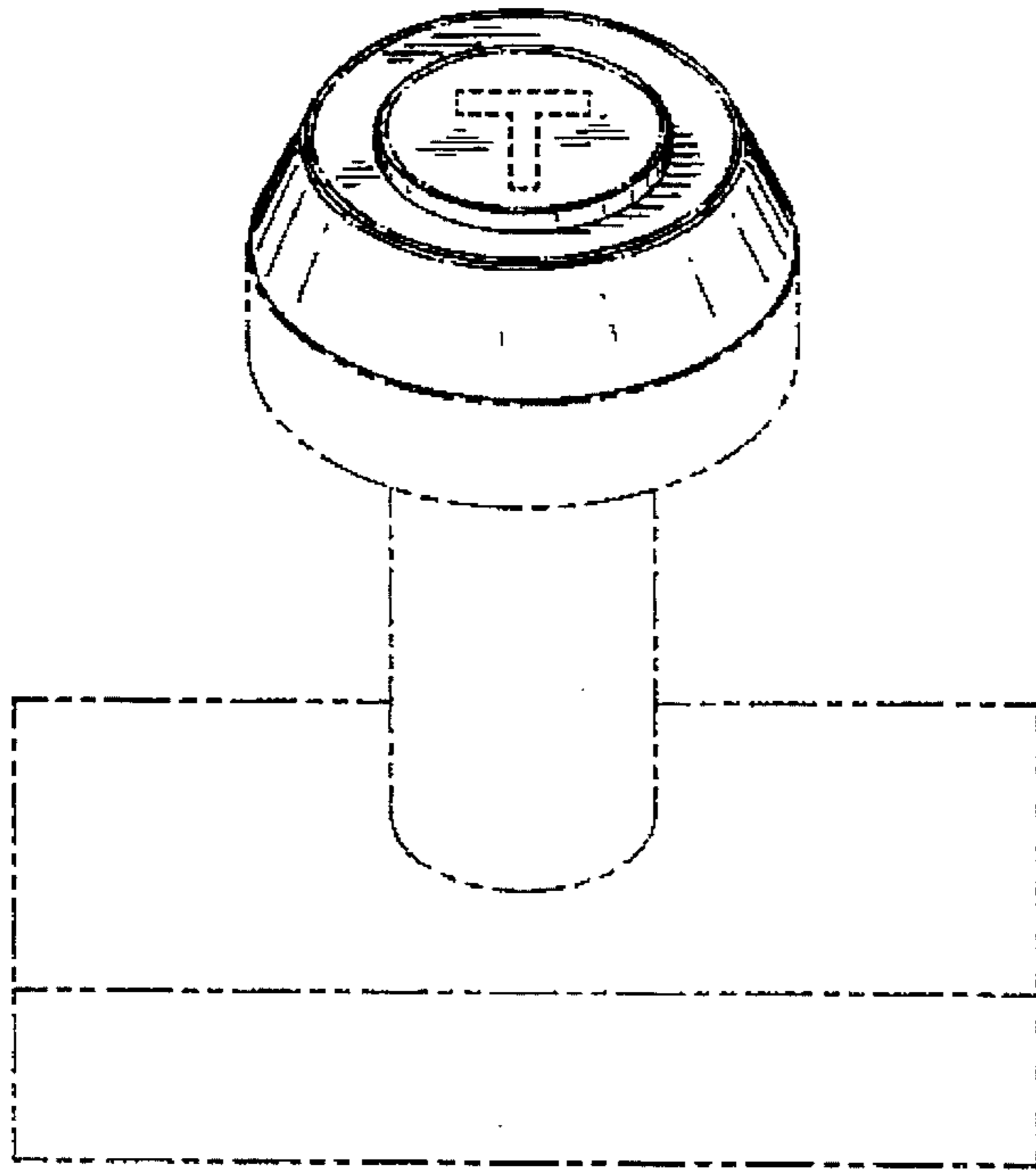


FIG. 2

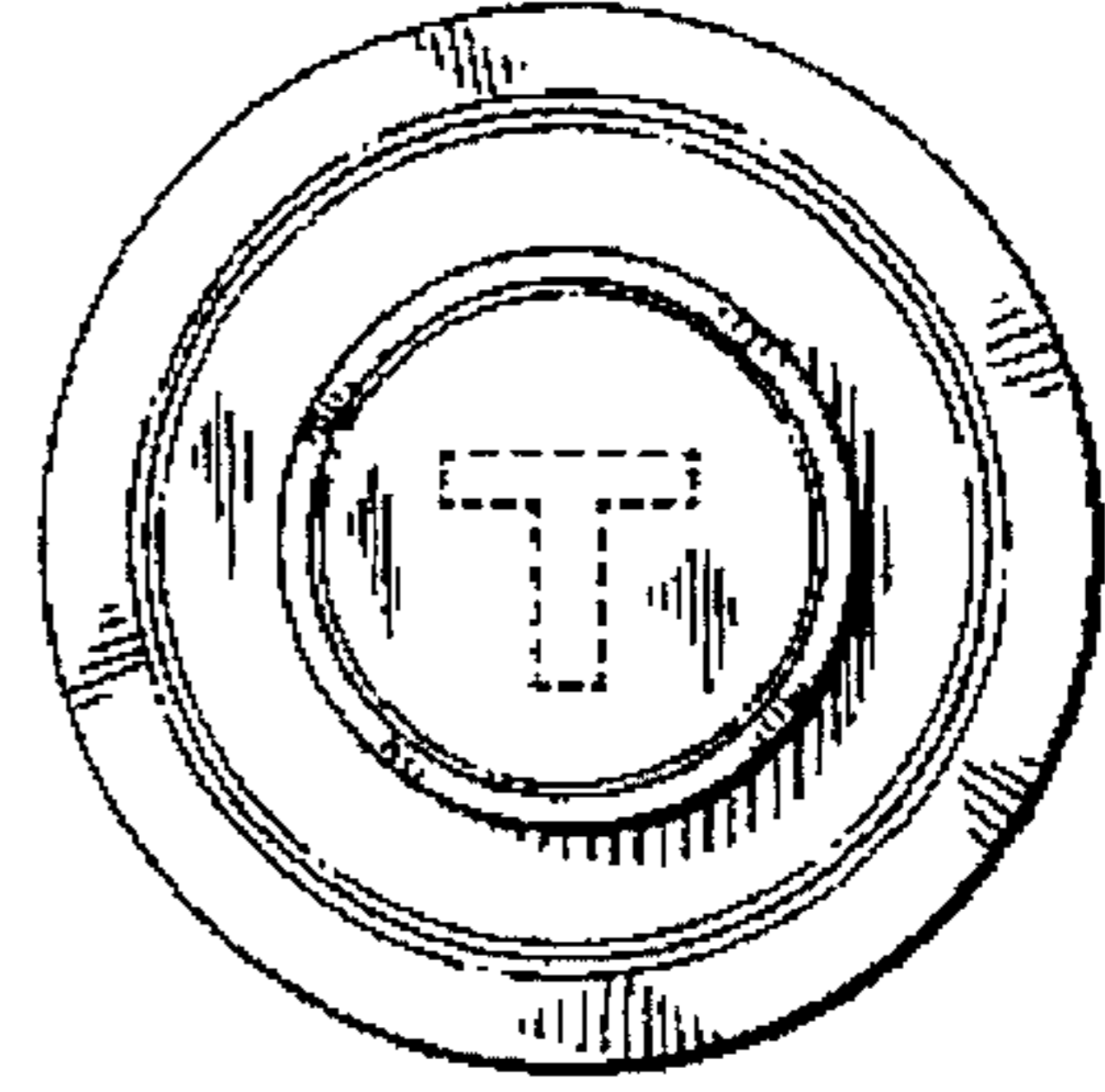


FIG. 3

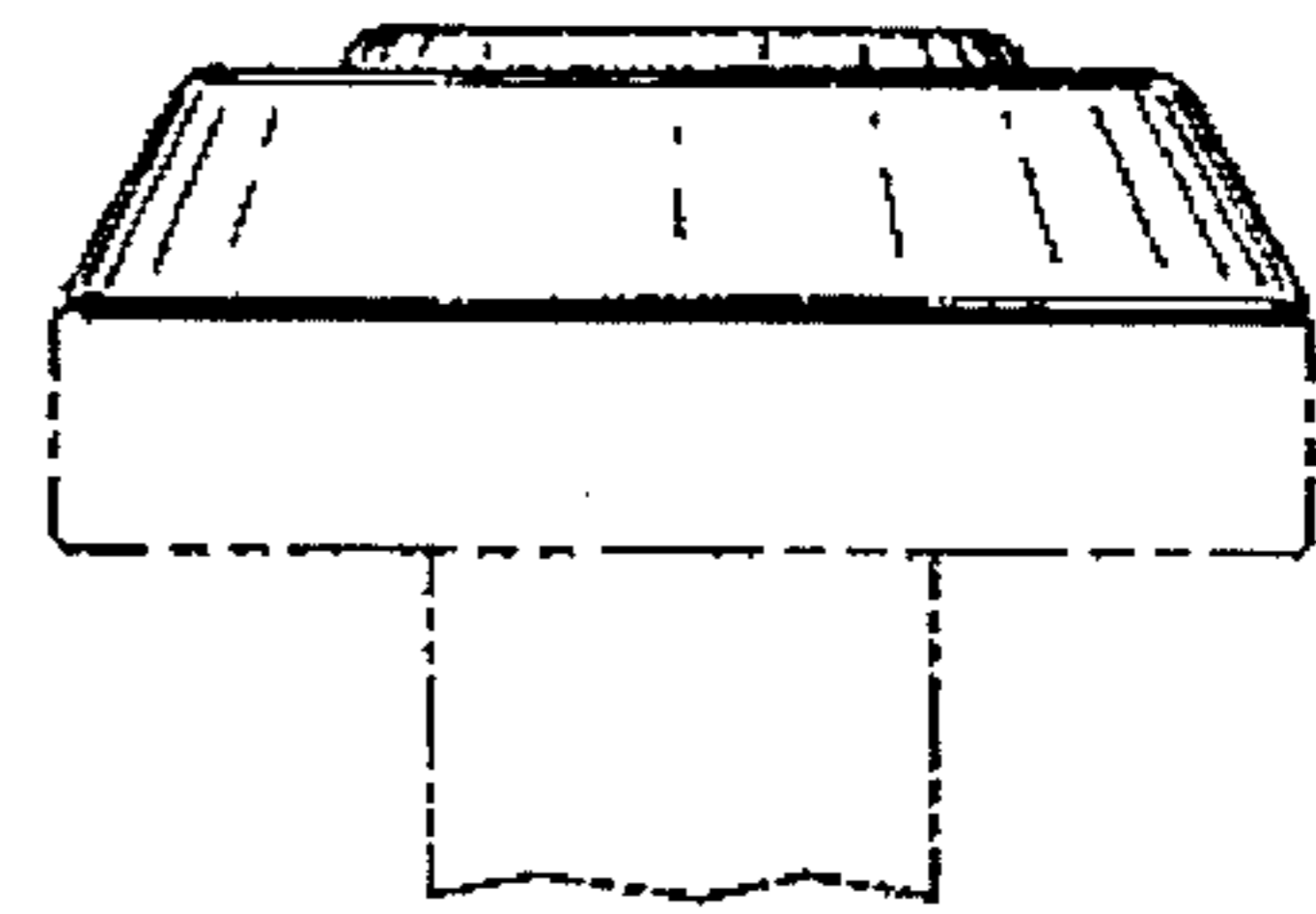


FIG. 4

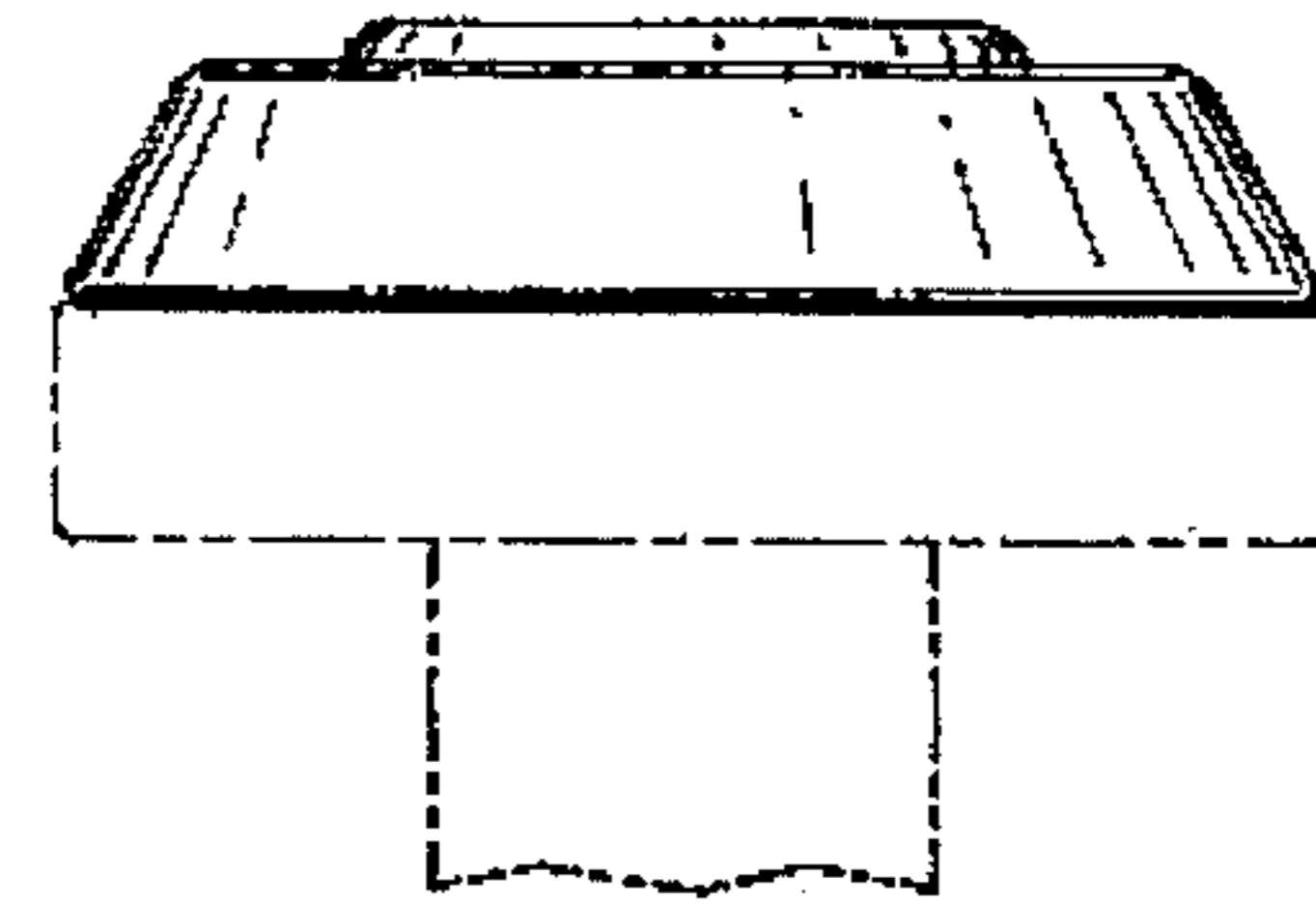


FIG. 5

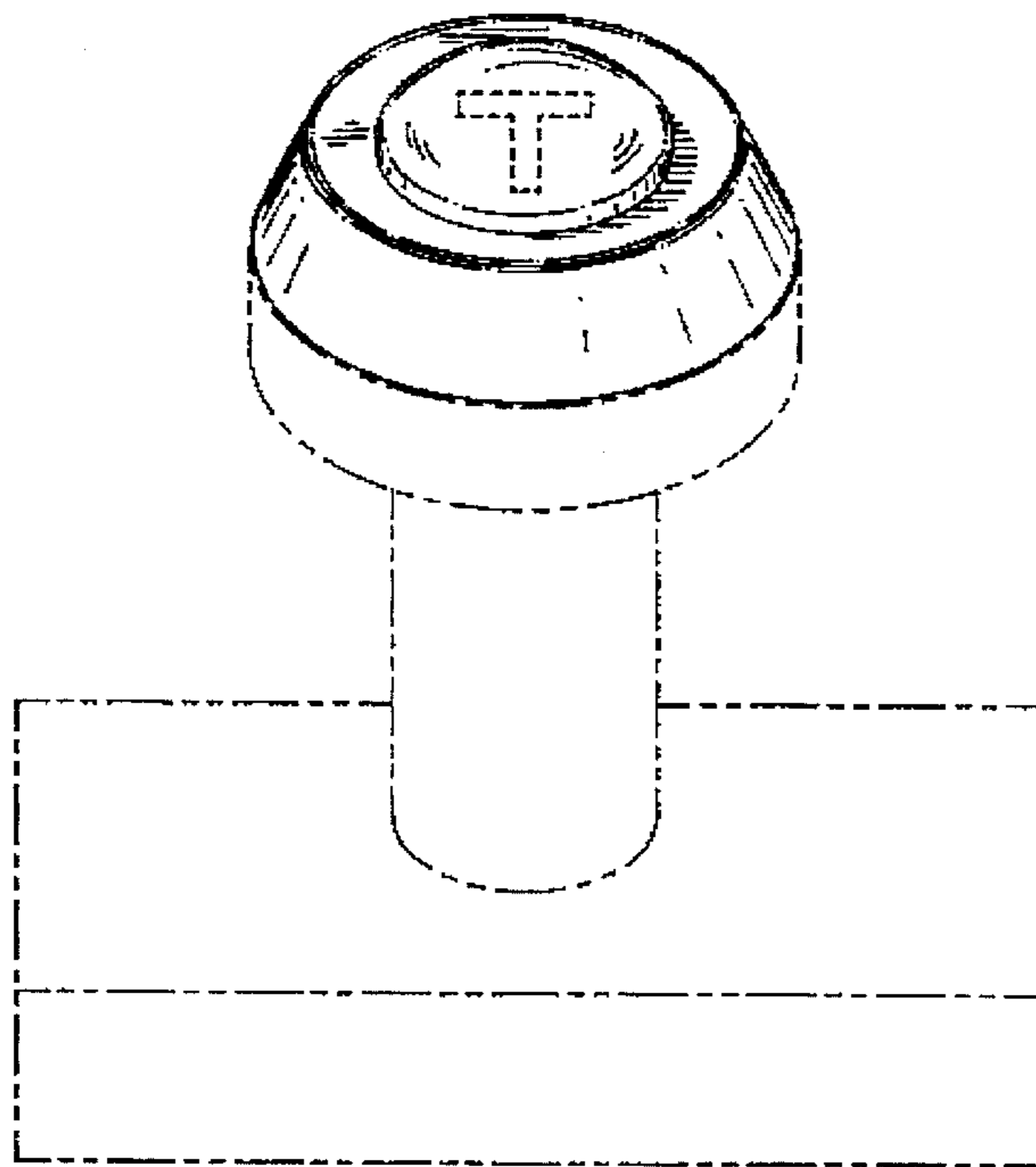


FIG. 6

