



US00D372492S

**United States Patent** [19]  
**Stanton**

[11] **Patent Number:** **Des. 372,492**  
[45] **Date of Patent:** **\*\*Aug. 6, 1996**

[54] **RECEIPT PRINTER AND TRANSACTION  
TERMINAL MOUNTING STAND**

[75] Inventor: **James M. Stanton**, San Jose, Calif.

[73] Assignee: **Verifone Inc.**, Redwood City, Calif.

[\*\*] Term: **14 Years**

[21] Appl. No.: **42,056**

[22] Filed: **Jul. 31, 1995**

[52] U.S. Cl. .... **D18/4; D14/114**

[58] **Field of Search** ..... **D18/4, 50, 56,  
D18/12; D14/100, 105, 106, 107, 114;  
235/1 D, 1 E, 2, 4, 7 R, 10, 375, 379, 380,  
419; 364/404-407; 400/583.3, 581, 708**

[56] **References Cited**

**U.S. PATENT DOCUMENTS**

D. 292,709 11/1987 Kosako ..... D18/7  
4,073,460 2/1978 Dale ..... D18/12  
4,844,629 7/1989 Hoyt ..... D18/4

*Primary Examiner*—Nelson C. Holtje  
*Assistant Examiner*—Caron D. Veynar  
*Attorney, Agent, or Firm*—Lowell C. Bergstedt

[57] **CLAIM**

The ornamental design for a receipt printer and transaction terminal mounting stand, as shown and described.

**DESCRIPTION**

FIG. 1 is a perspective view of a receipt printer and transaction terminal mounting stand showing my new design;

FIG. 2 is a top plan view of the receipt printer and transaction terminal mounting stand shown in FIG. 1;

FIG. 3 is a right side elevational view of the receipt printer and transaction terminal mounting stand shown in FIG. 1;

FIG. 4 is a left side elevational view of the receipt printer and transaction terminal mounting stand shown in FIG. 1;

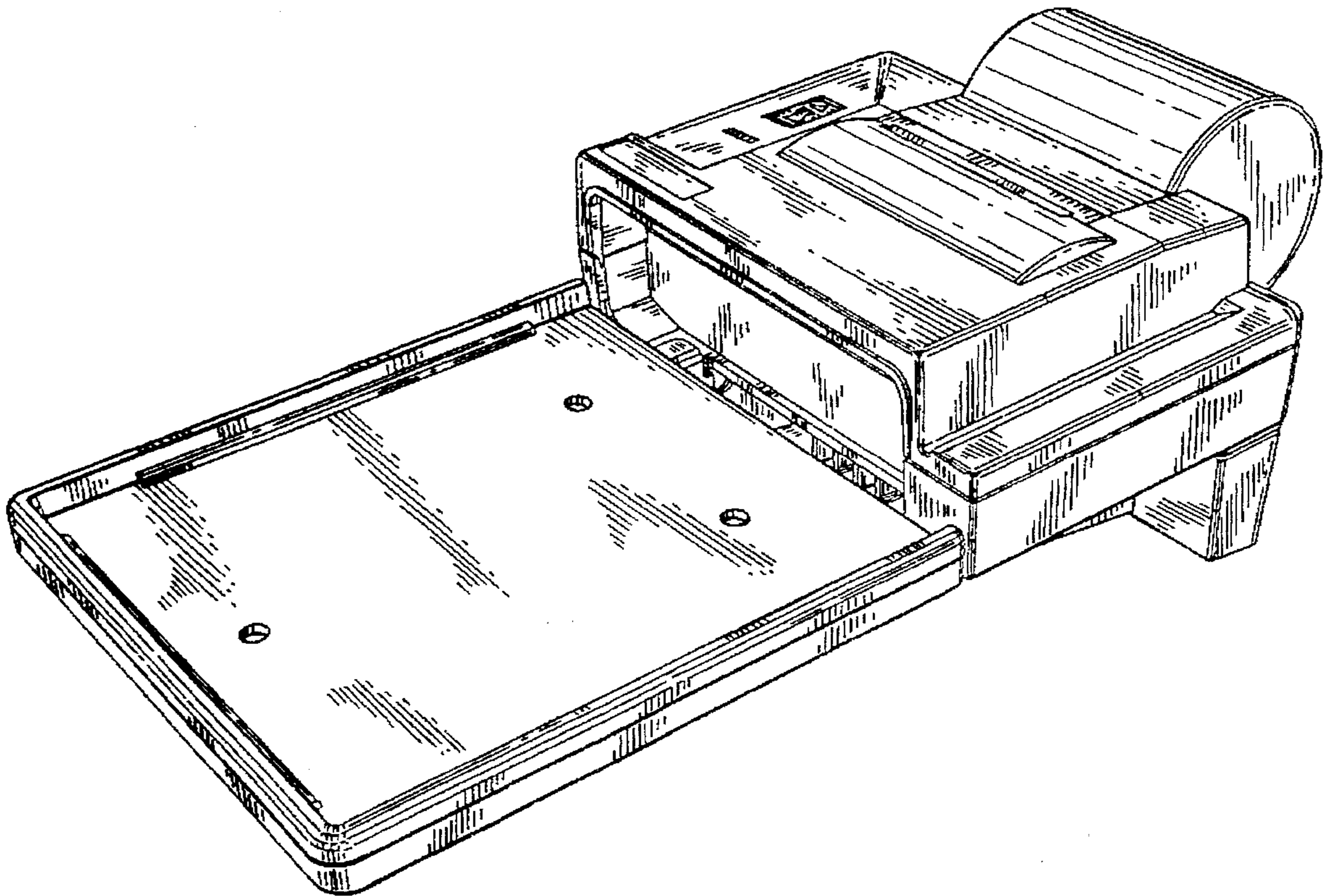
FIG. 5 is a front elevational view of the receipt printer and transaction terminal mounting stand shown in FIG. 1;

FIG. 6 is a back elevational view of the receipt printer and transaction terminal mounting stand shown in FIG. 1; and,

FIG. 7 is a perspective view of a receipt printer and transaction terminal mounting stand showing a transaction terminal in broken lines for illustration purposes only and forming no part of my claimed design.

The bottom of the receipt printer and transaction terminal mounting stand is unornamented and forms no part of my invention.

**1 Claim, 7 Drawing Sheets**



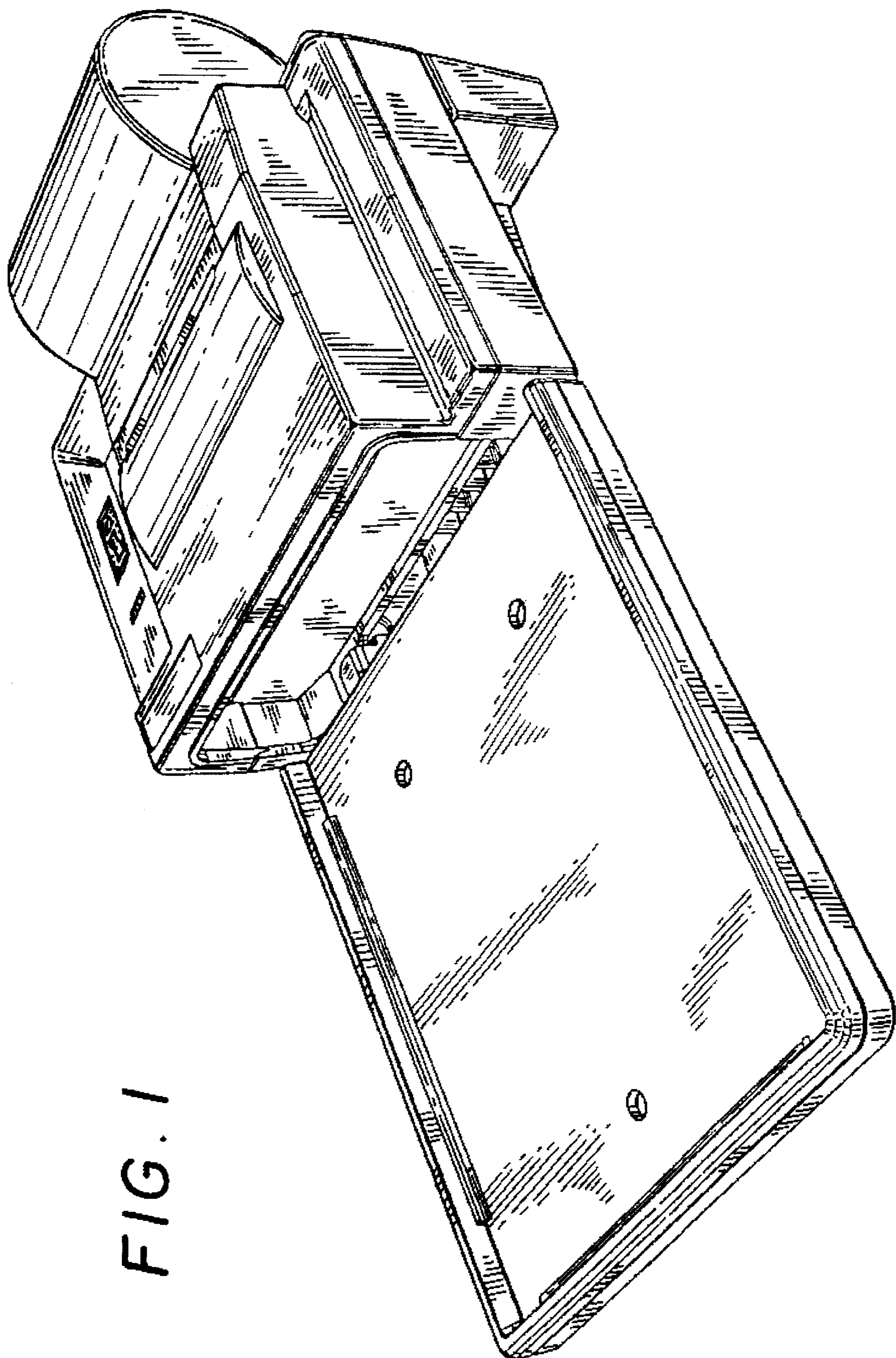


FIG. 1

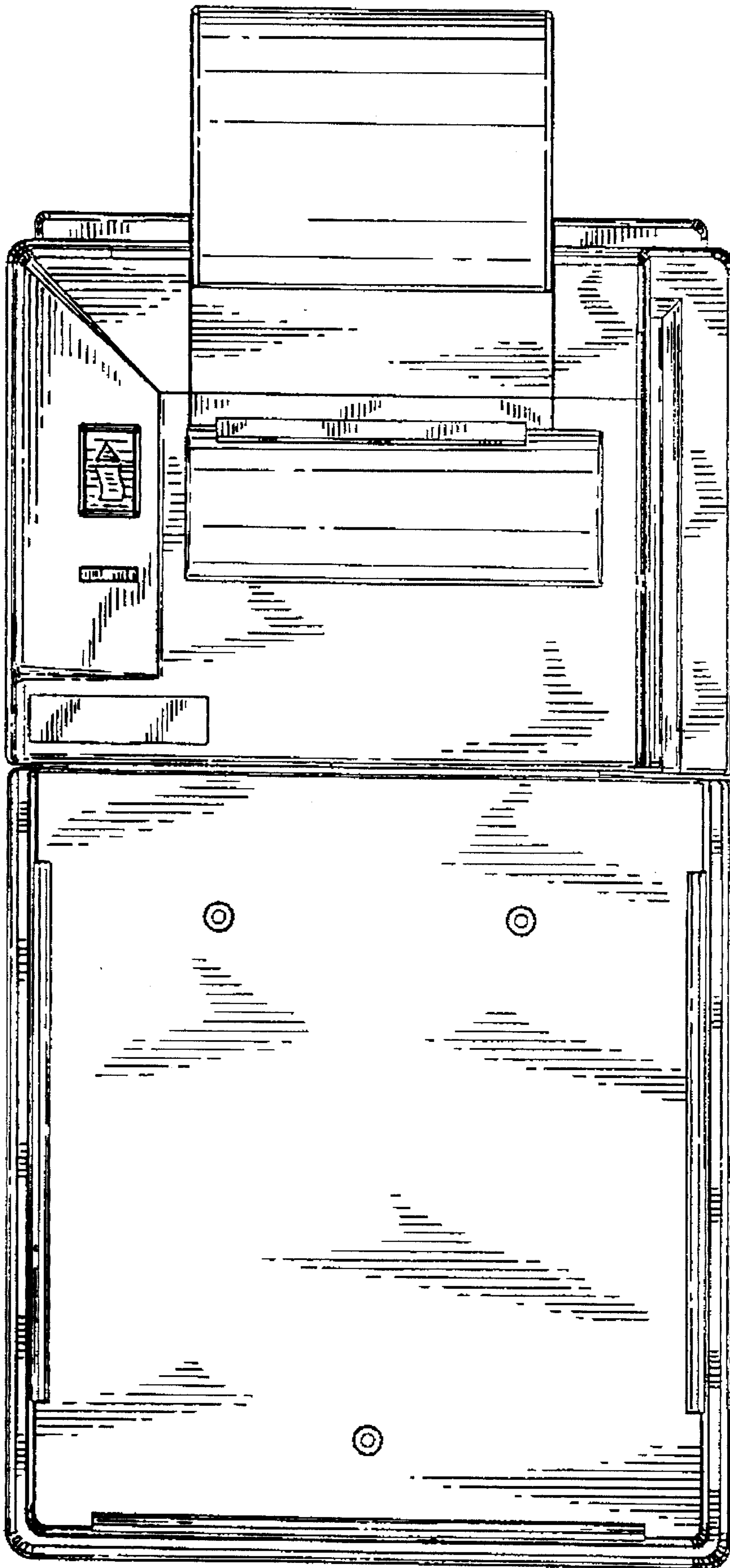


FIG. 2

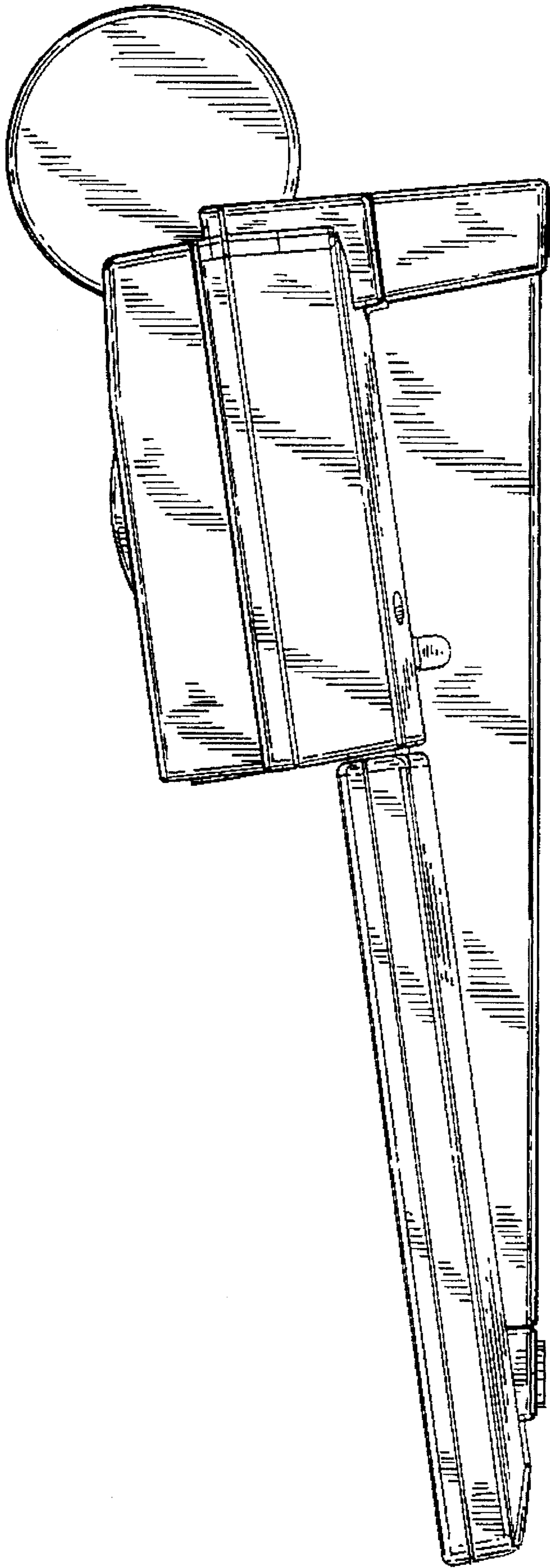


FIG. 3

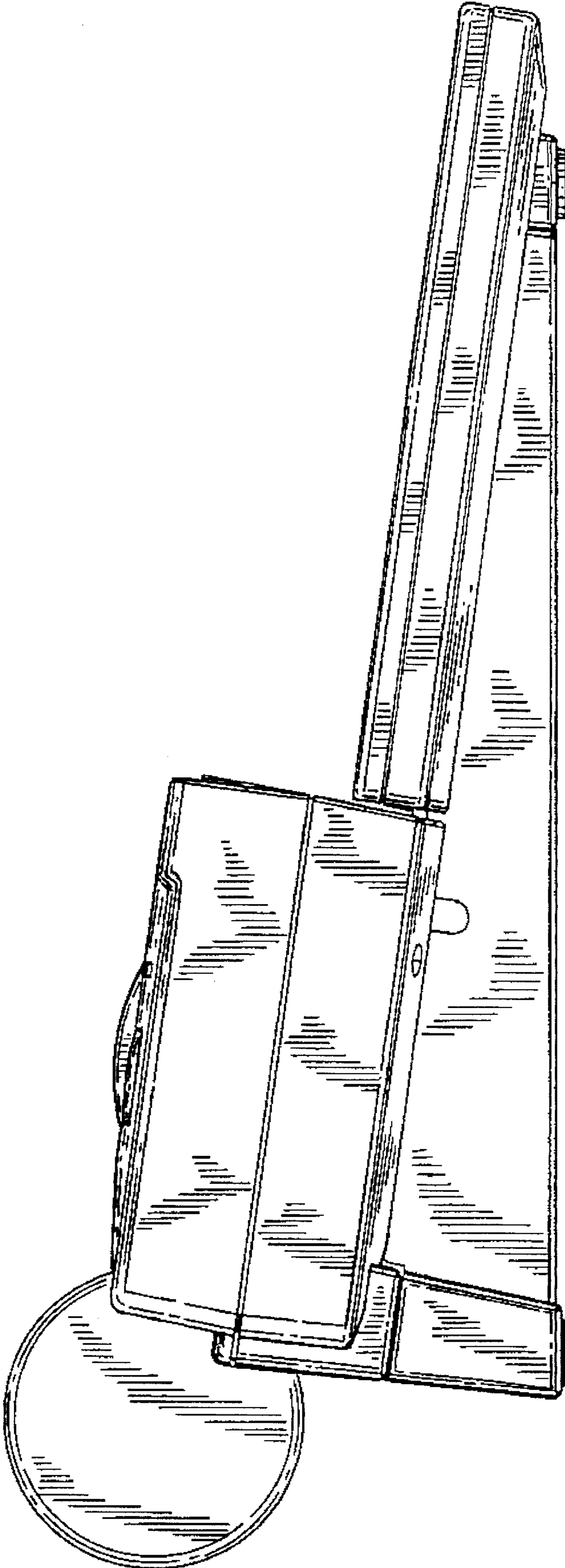


FIG. 4

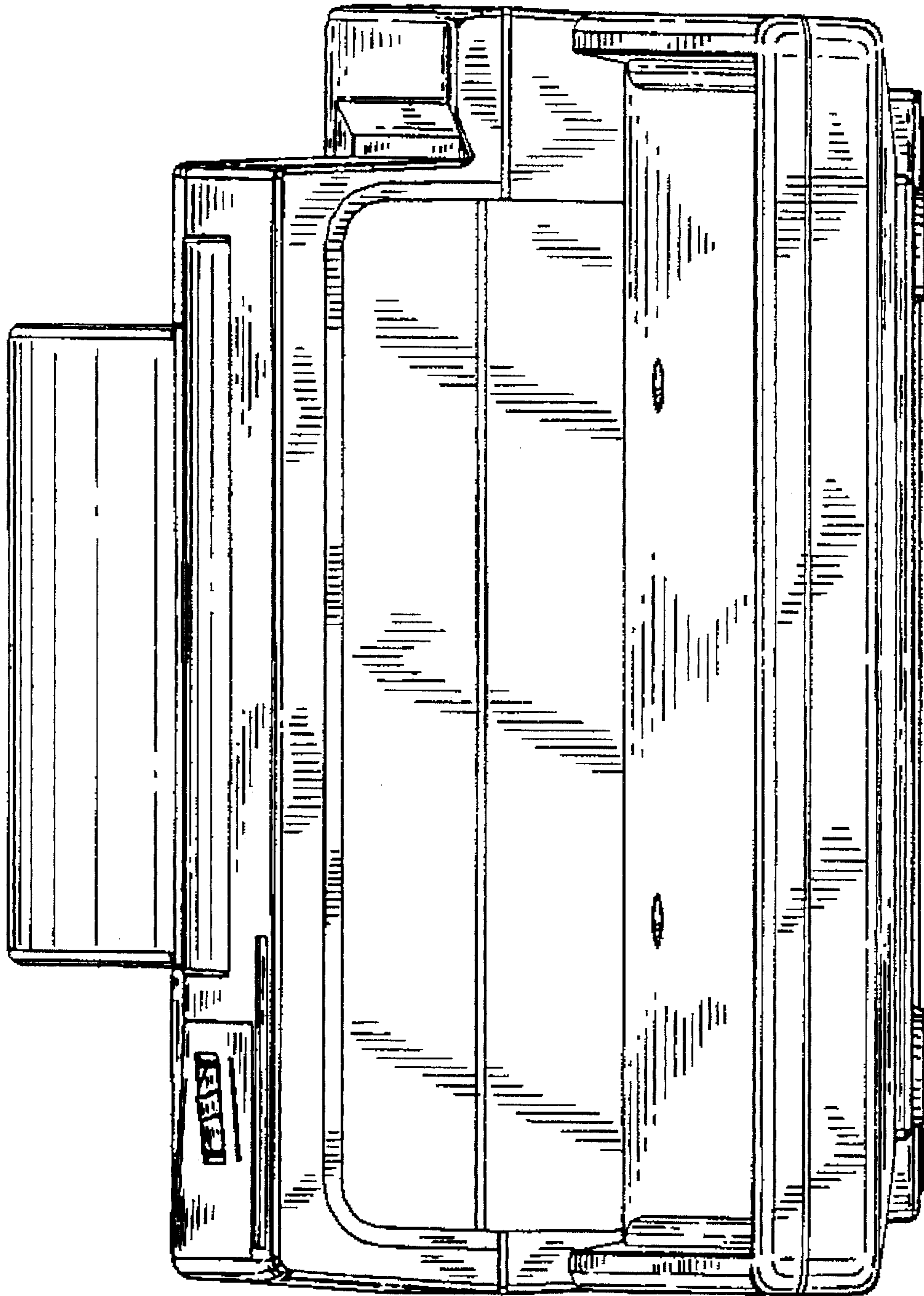


FIG. 5

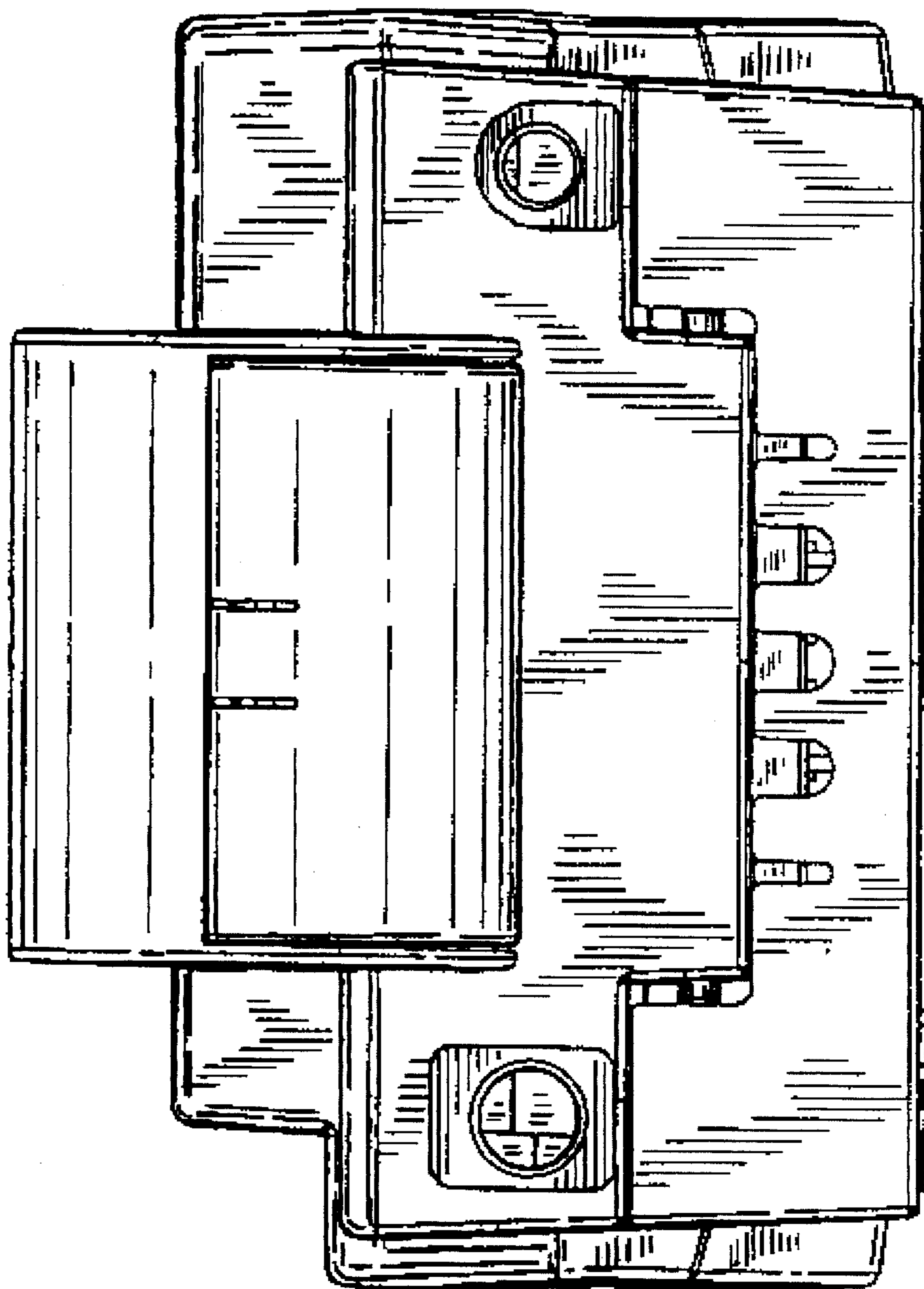


FIG. 6

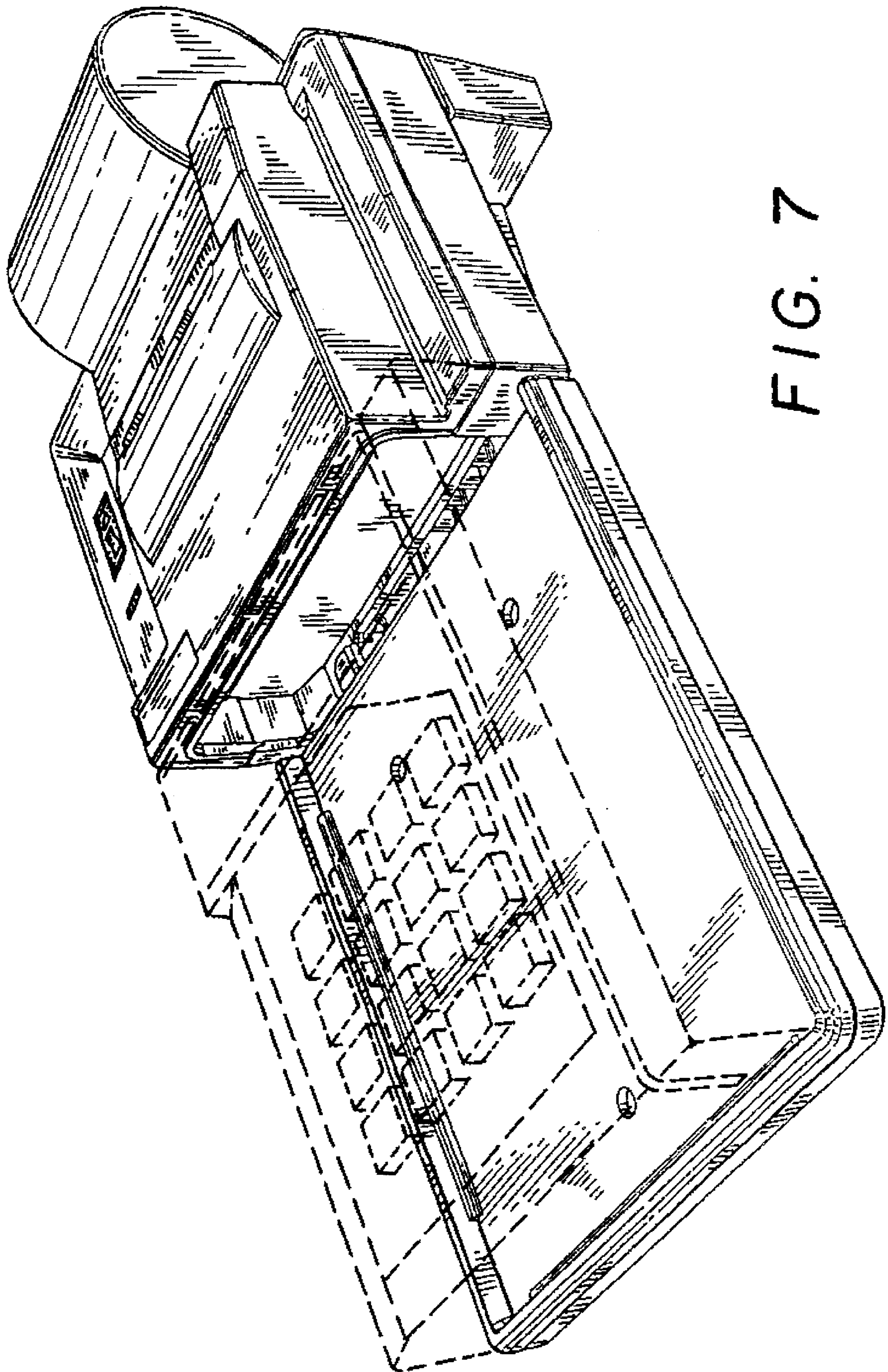


FIG. 7