



US00D372485S

United States Patent [19]

[11] Patent Number: **Des. 372,485**

Stone et al.

[45] Date of Patent: ****Aug. 6, 1996**

- [54] **SPADE-TYPE BORING BIT**
- [75] Inventors: **Paul A. Stone**, Glen Rock, Pa.; **Rickey J. Thomas**, Lineboro, Md.
- [73] Assignee: **Black & Decker, Inc.**, Newark, Del.
- [**] Term: **14 Years**
- [21] Appl. No.: **32,861**
- [22] Filed: **Dec. 30, 1994**
- [52] U.S. Cl. **D15/139**
- [58] Field of Search **D15/139; 408/211, 408/213, 225, 230**

- 5,184,689 2/1993 Sheirer et al. .
- 5,193,951 3/1993 Schimke .
- 5,221,166 6/1993 Bothum .
- 5,286,143 2/1994 Schimke .
- 5,291,806 3/1994 Bothum .

FOREIGN PATENT DOCUMENTS

- 0118806 9/1984 European Pat. Off. .
- 2130935 6/1984 United Kingdom .
- 2271948 4/1994 United Kingdom .

Primary Examiner—Antoine Duval Davis
Attorney, Agent, or Firm—Bell, Seltzer, Park & Gibson, P.A.

[57] CLAIM

The ornamental design for a spade-type boring bit, as shown and described.

[56] References Cited

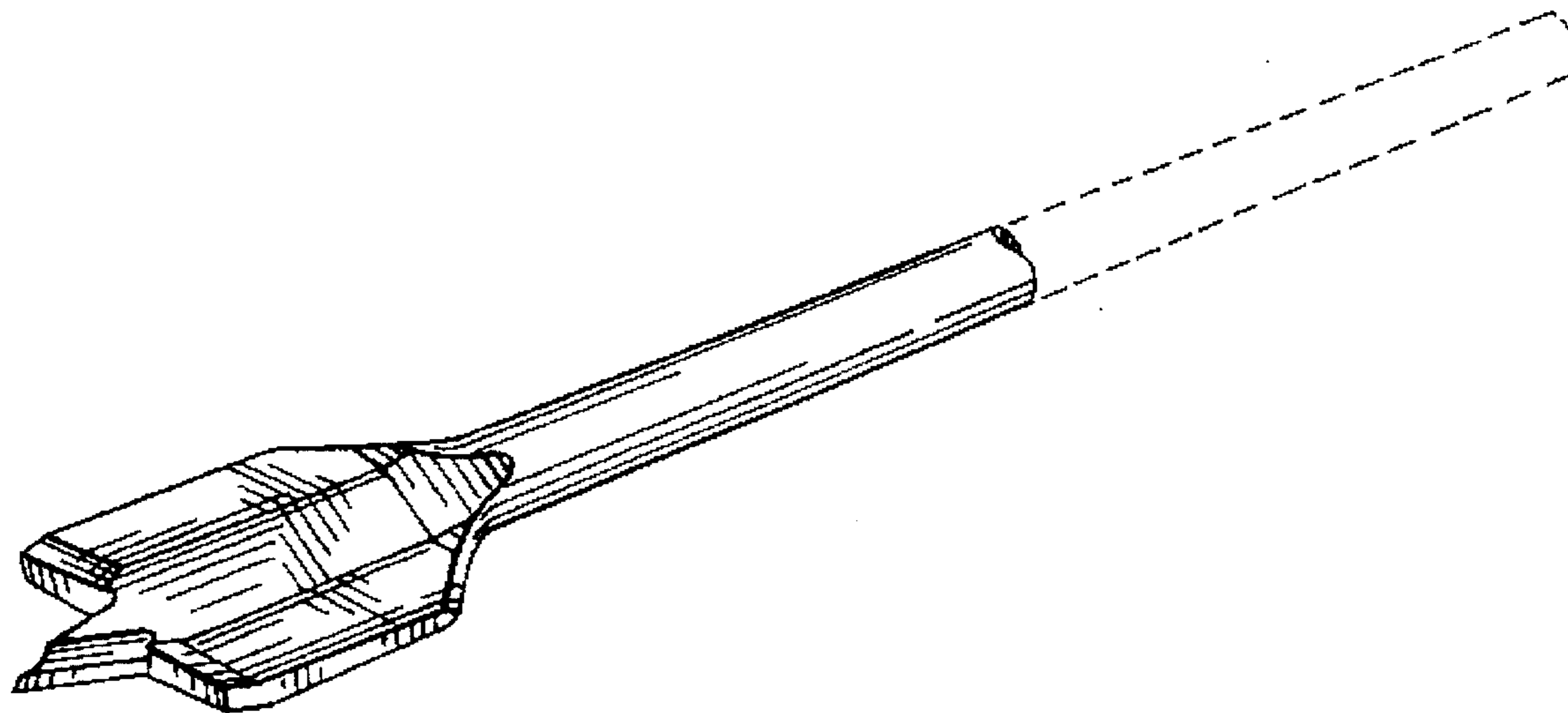
U.S. PATENT DOCUMENTS

- D. 240,263 6/1976 Southall D15/139
- D. 278,065 3/1985 Sydlowski et al. D15/139
- 2,332,295 10/1943 Bouchal .
- 2,627,292 2/1953 Kronwall .
- 2,681,673 6/1954 Mackey .
- 2,692,627 10/1954 Stearns .
- 2,782,824 2/1957 Robinson .
- 2,794,468 6/1957 Huxtable 408/211
- 2,883,888 4/1959 Stewart .
- 2,962,066 11/1960 Deliso .
- 3,920,350 11/1975 Southall 408/211
- 3,997,279 12/1976 Porter .
- 4,050,841 9/1977 Hildebrandt .
- 4,286,904 9/1981 Porter et al. .
- 4,625,593 12/1986 Schmotzer .
- 4,682,917 7/1987 Williams, III et al. .
- 4,753,558 6/1988 Jansson .
- 4,950,111 8/1990 Thomas .
- 5,056,967 10/1991 Hageman .
- 5,061,127 10/1991 Thomas .
- 5,099,933 3/1992 Schimke et al. .
- 5,145,018 9/1992 Schimke et al. .
- 5,149,234 9/1992 Durfee, Jr. .

DESCRIPTION

FIG. 1 is a front perspective view of a first embodiment of a spade-type boring bit embodying our new design; FIG. 2 is a rear elevational view thereof, taken from the side opposite that illustrated in FIG. 1; FIG. 3 is a side elevational view thereof, taken from the side opposite that illustrated in FIG. 1; FIG. 4 is a slightly enlarged top plan view thereof; FIG. 5 is a slightly enlarged bottom plan view thereof; FIG. 6 is a front perspective view of a second embodiment of our new design; FIG. 7 is a rear elevational view thereof, taken from the side opposite that illustrated in FIG. 6; FIG. 8 is a side elevational view thereof, taken from the side opposite that illustrated in FIG. 6; FIG. 9 is a slightly enlarged top plan view thereof; and, FIG. 10 is a slightly enlarged bottom plan view thereof. The broken lines in the Figures are shown for illustrative purposes only and form no part of the claimed design.

1 Claim, 2 Drawing Sheets



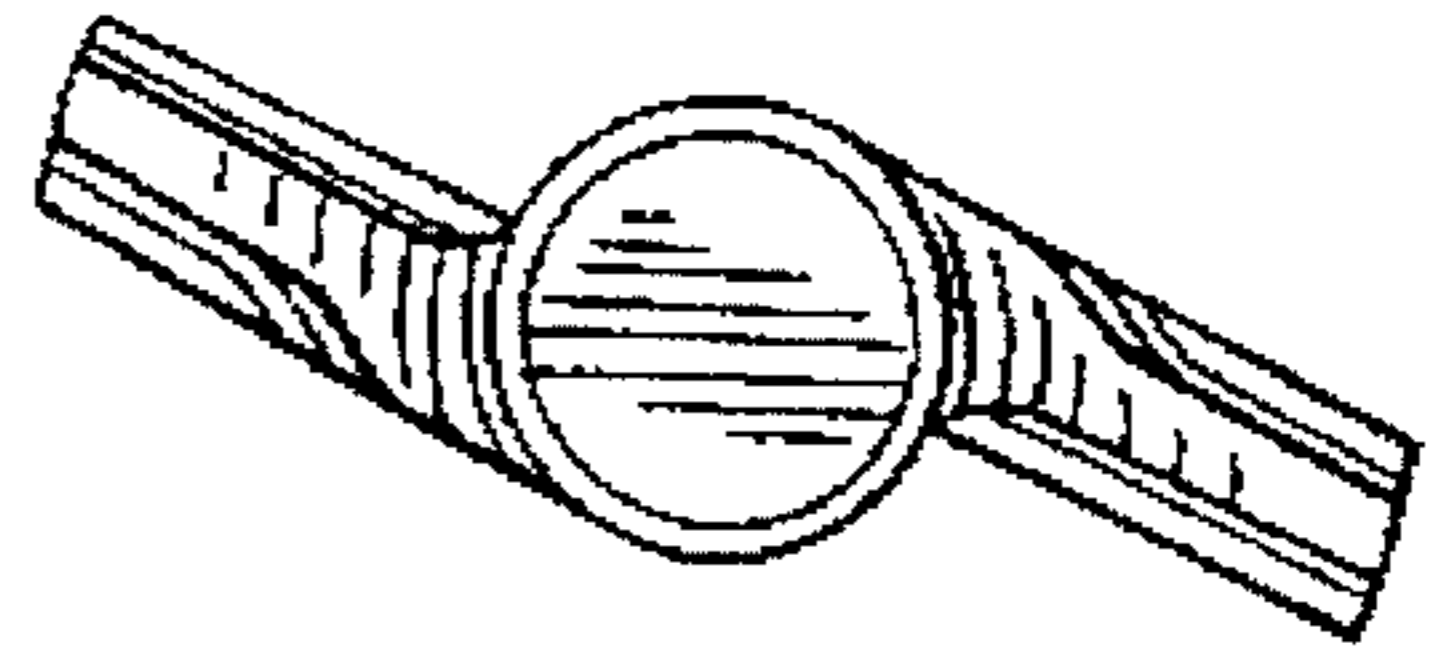
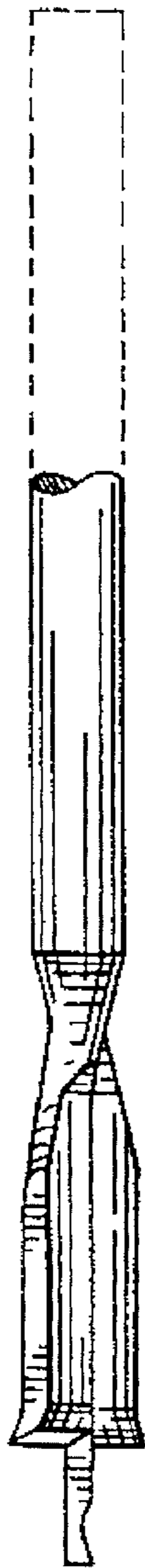
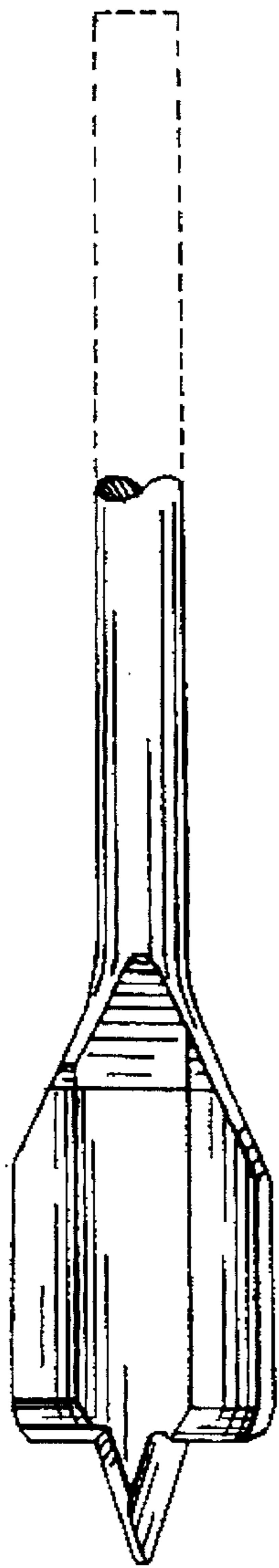
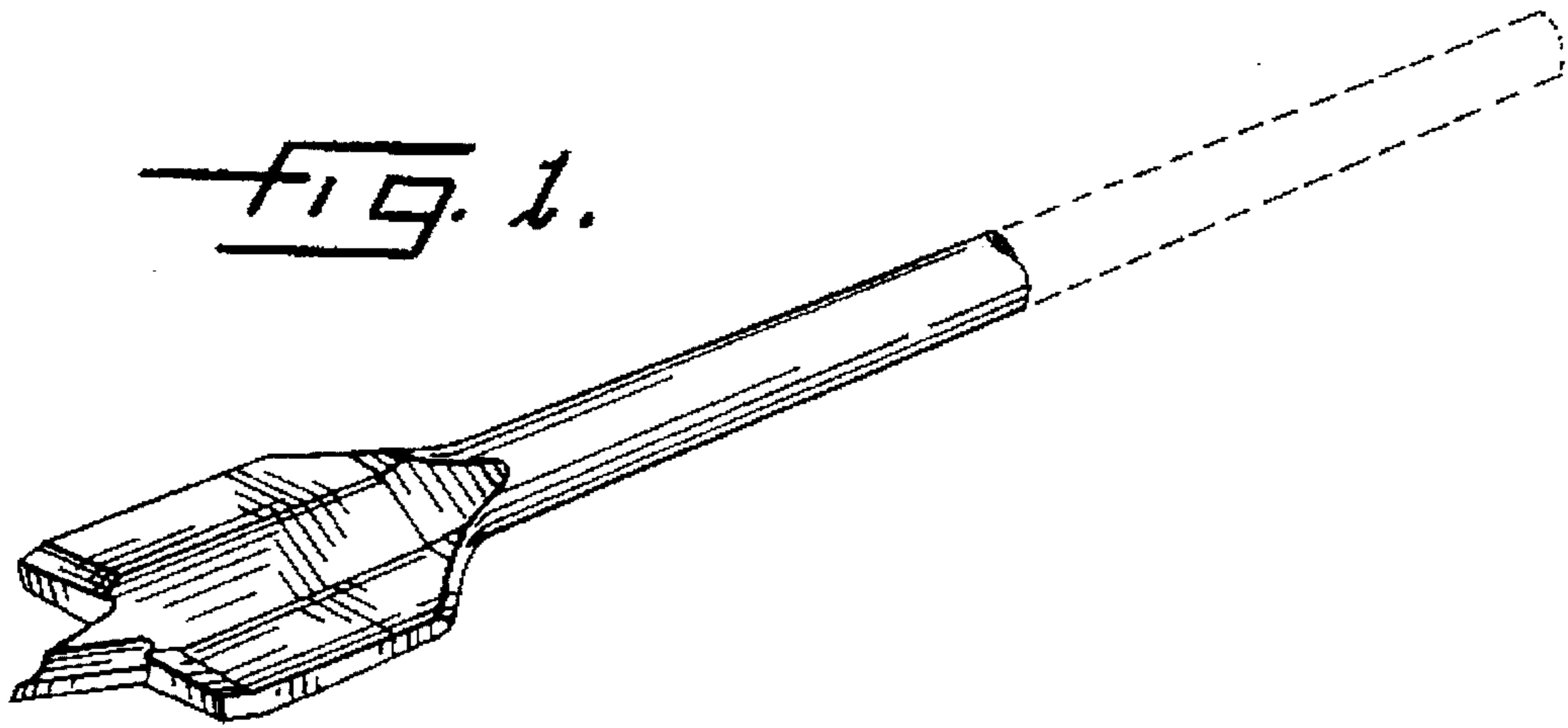


FIG. 4.

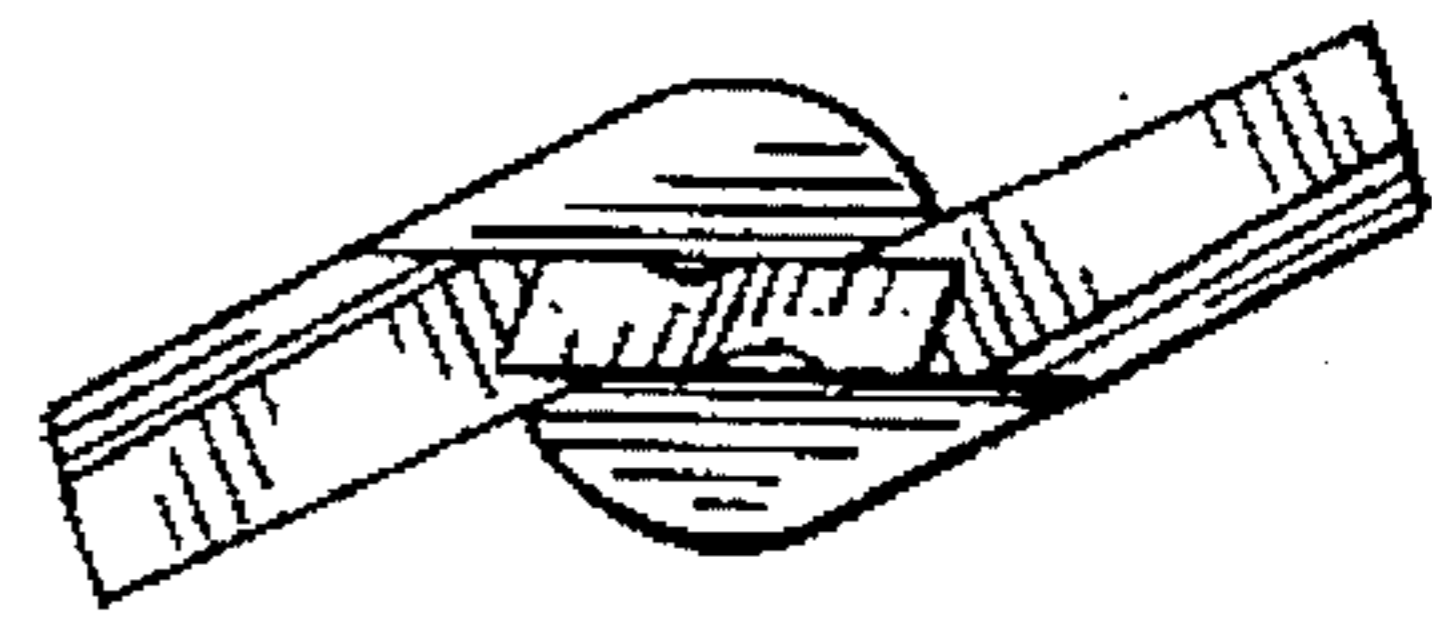


FIG. 5.

FIG. 2. — FIG. 3.

FIG. 6.

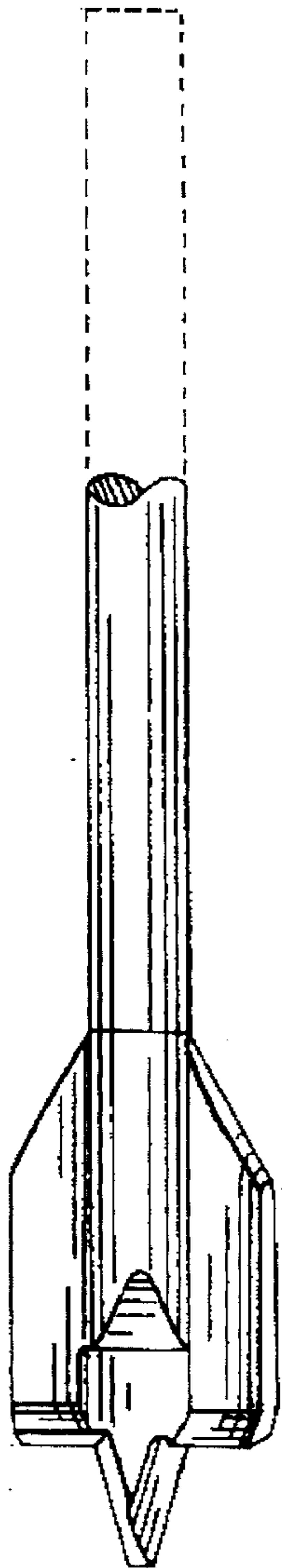
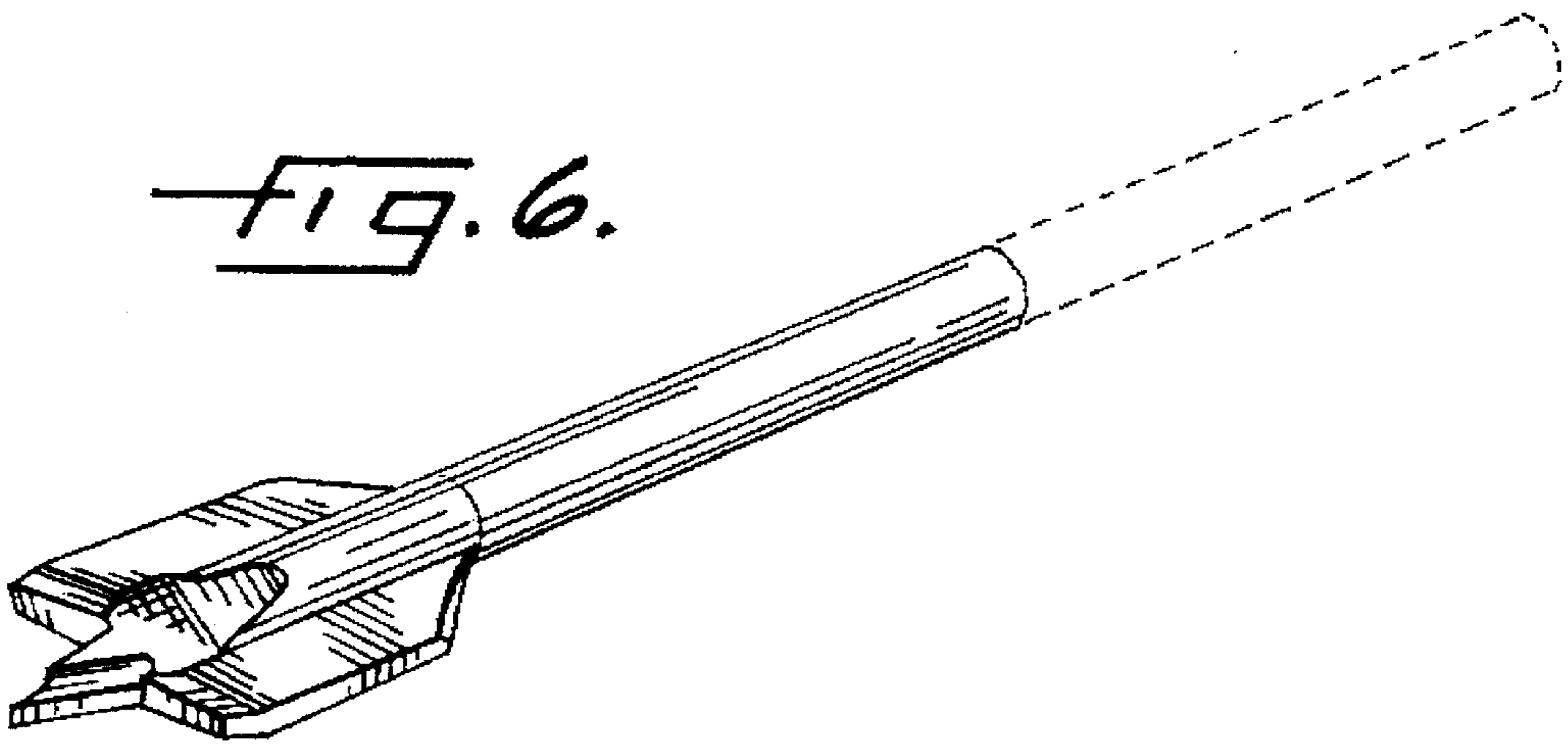


FIG. 7.

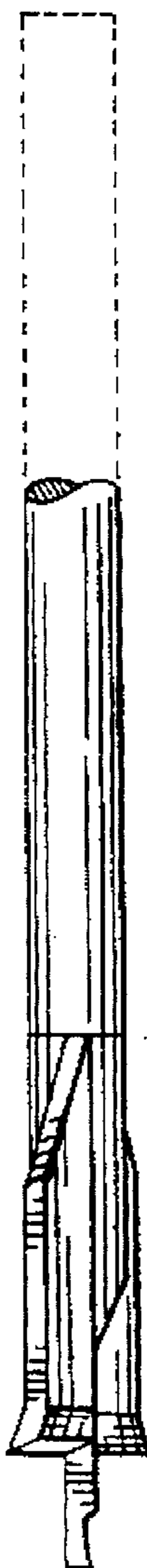


FIG. 8.

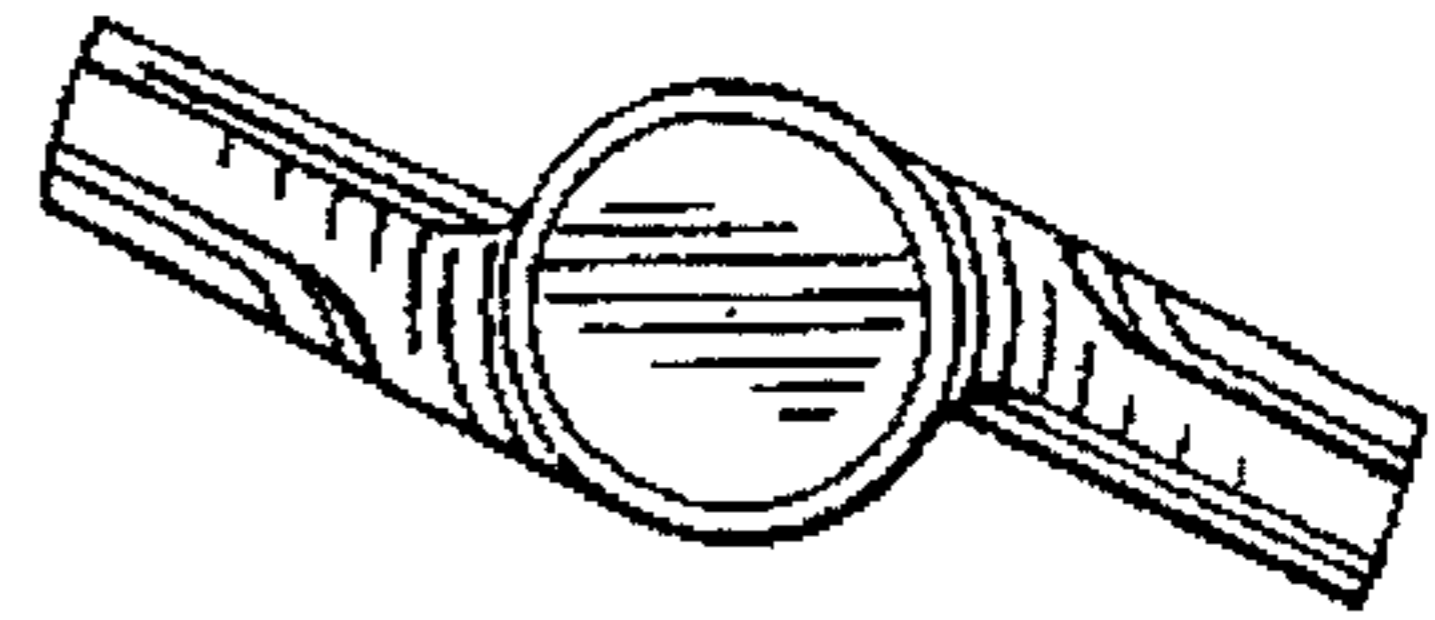


FIG. 9.

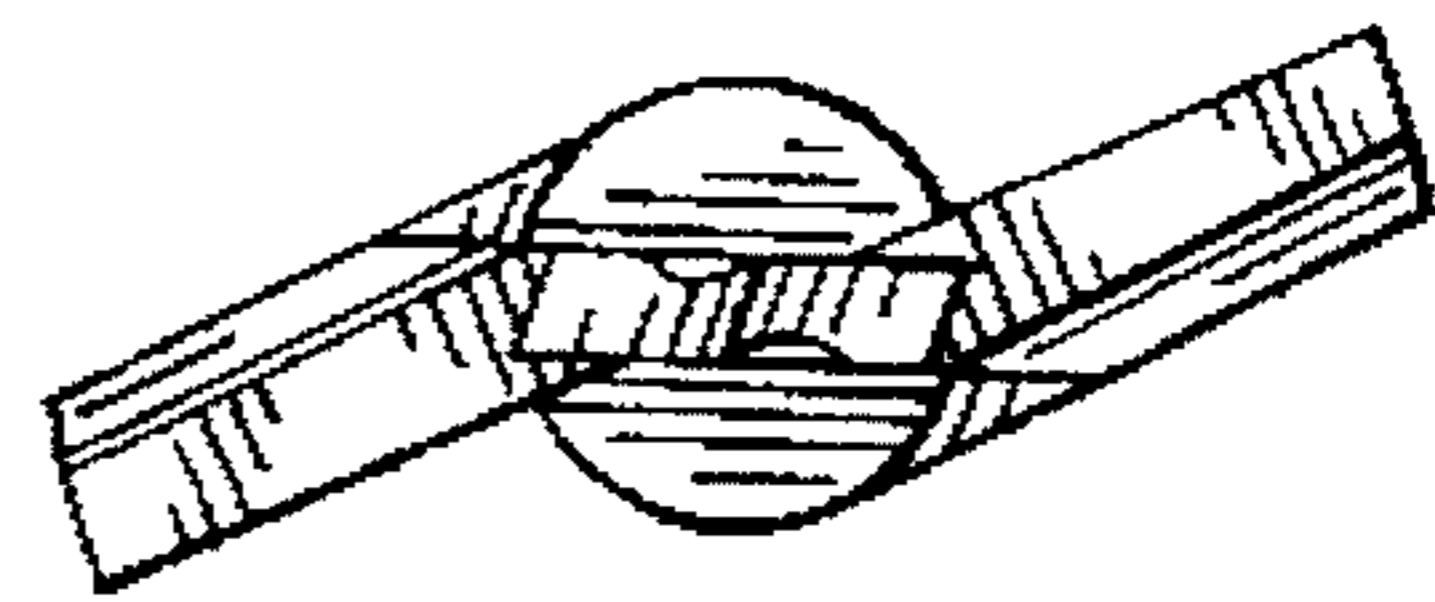


FIG. 10.