



US00D372475S

United States Patent [19]
Shudo

[11] **Patent Number: Des. 372,475**

[45] **Date of Patent: **Aug. 6, 1996**

[54] **TAPE PLAYER COMBINED WITH RADIO TUNER**

& Young

[75] Inventor: **Tomoyuki Shudo**, Tokyo, Japan

[73] Assignee: **Sony Corporation**, Japan

[**] Term: **14 Years**

[21] Appl. No.: **34,238**

[22] Filed: **Jan. 31, 1995**

[52] U.S. Cl. **D14/163**; D14/188

[58] **Field of Search** D14/124, 160-168,
D14/188-190, 192-198, 217, 257, 260,
299; 455/344, 347-351

[56] **References Cited**

U.S. PATENT DOCUMENTS

D. 313,020	12/1990	Ichikawa	D14/156	X
D. 320,017	9/1991	Ikeyama et al.	D14/163	X
D. 338,008	8/1993	Nakayama	D14/188	X
D. 350,749	9/1994	Wada et al.	D14/163	
D. 352,714	11/1994	Ichikawa et al.	D14/188	

Primary Examiner—Terry A. Wallace
Assistant Examiner—Nanda Bondade
Attorney, Agent, or Firm—Beveridge, DeGrandi, Weilacher

[57] **CLAIM**

The ornamental design for a tape player combined with radio tuner, as shown and described.

DESCRIPTION

FIG. 1 is a front, top and right side perspective view of a tape player combined with radio tuner showing my new design; FIG. 2 is a perspective view thereof, with the cover shown in an open position;

FIG. 3 is a front, bottom and left side perspective view thereof;

FIG. 4 is a top plan view thereof;

FIG. 5 is a left side elevational view thereof;

FIG. 6 is a front elevational view thereof;

FIG. 7 is a right side elevational view thereof;

FIG. 8 is a bottom plan view thereof;

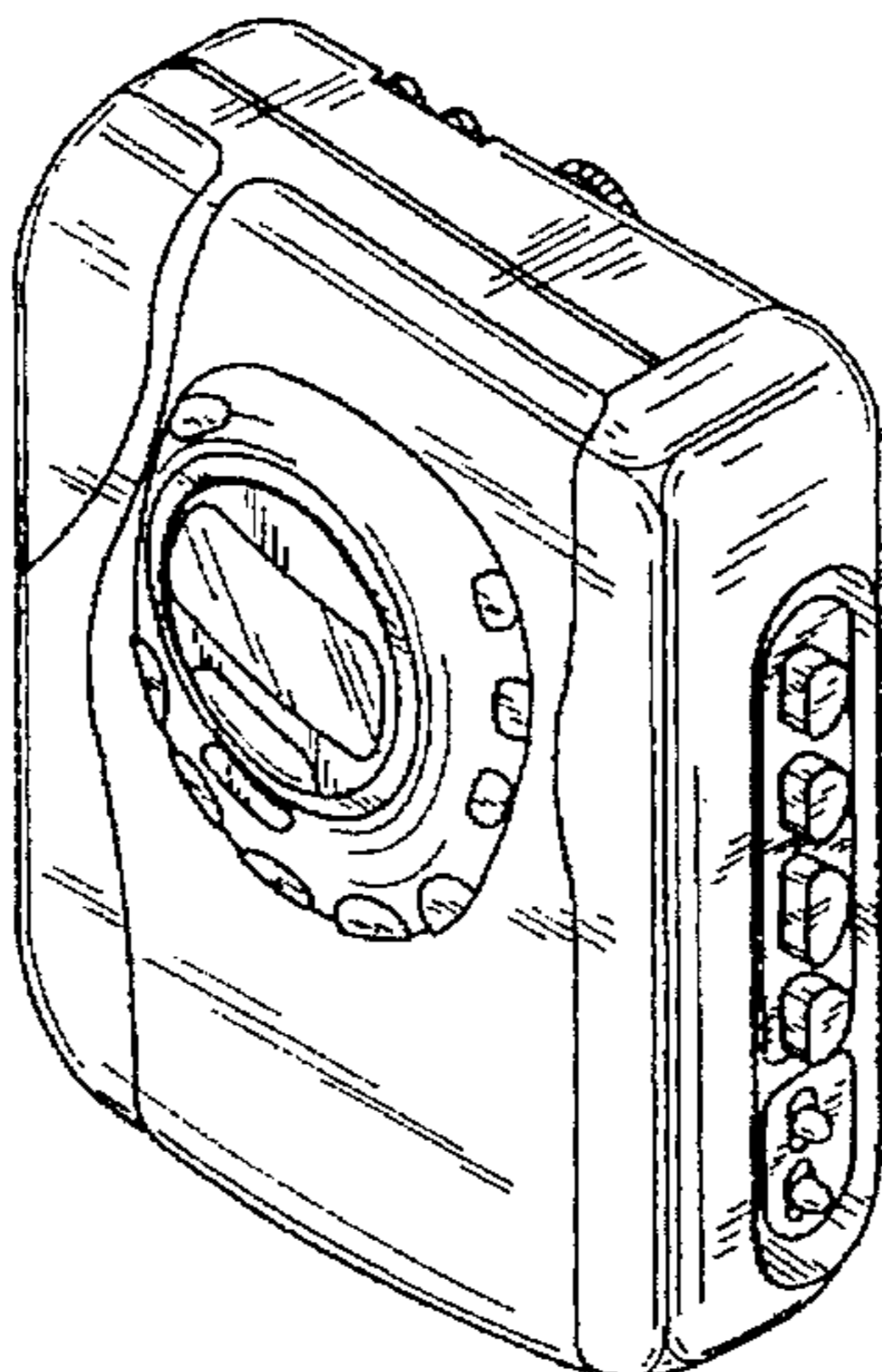
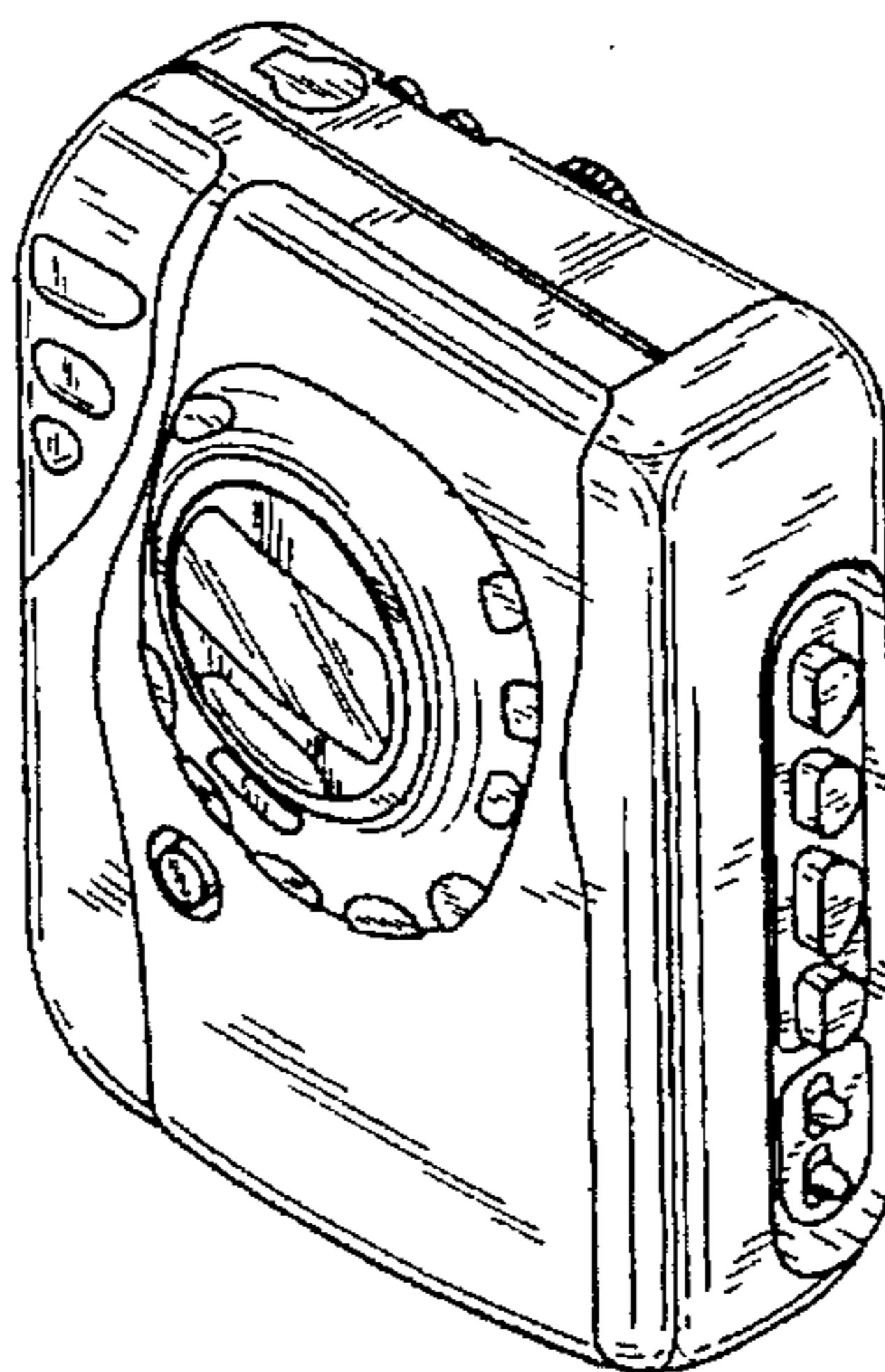
FIG. 9 is a rear elevational view thereof;

FIG. 10 is a front, top and right side perspective view of a second embodiment of FIG. 1; and,

FIG. 11 is a front, bottom and left side perspective view of FIG. 10.

The undisclosed rear view of the second embodiment is identical to FIG. 9.

1 Claim, 5 Drawing Sheets



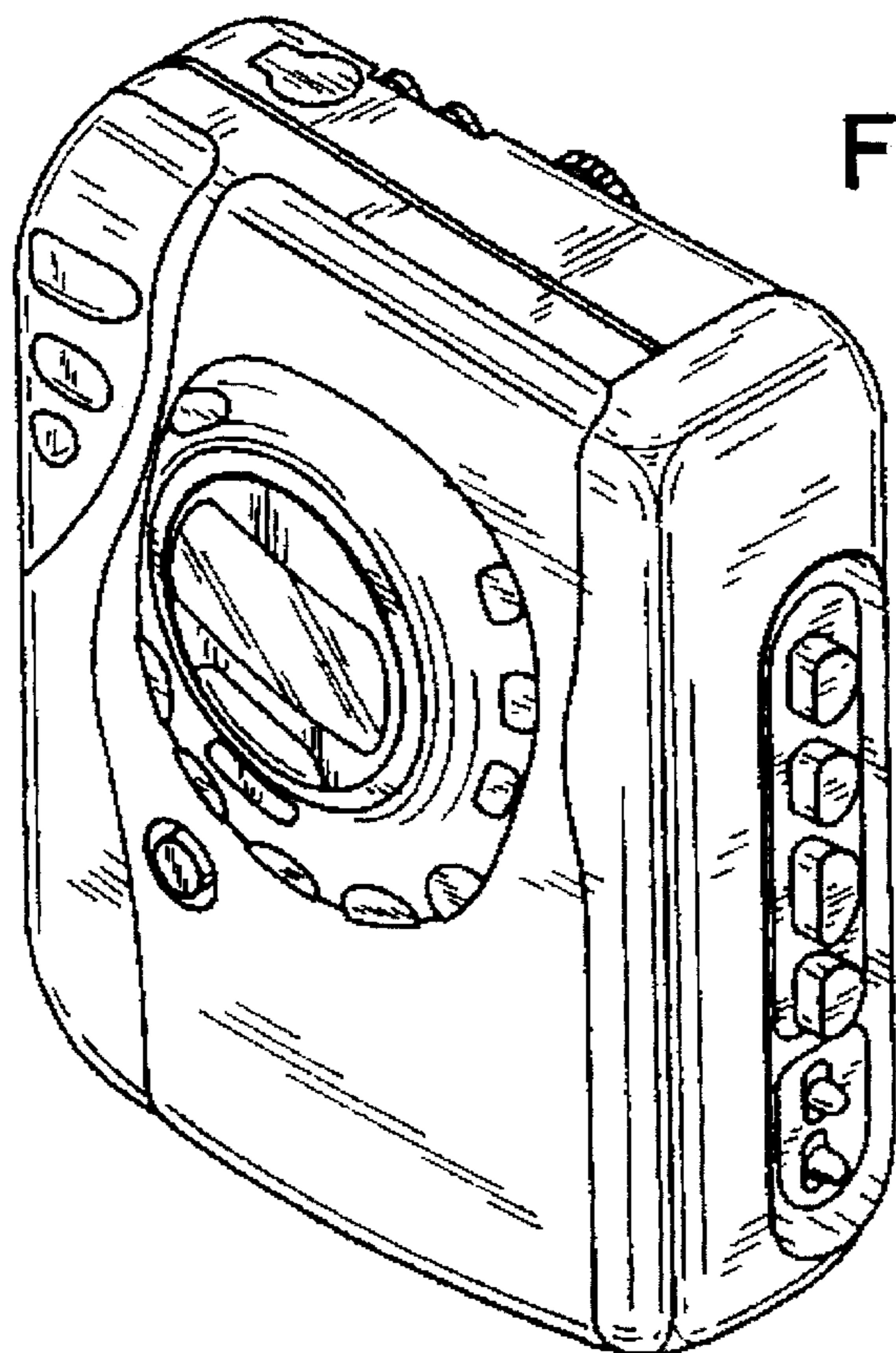


FIG. 1

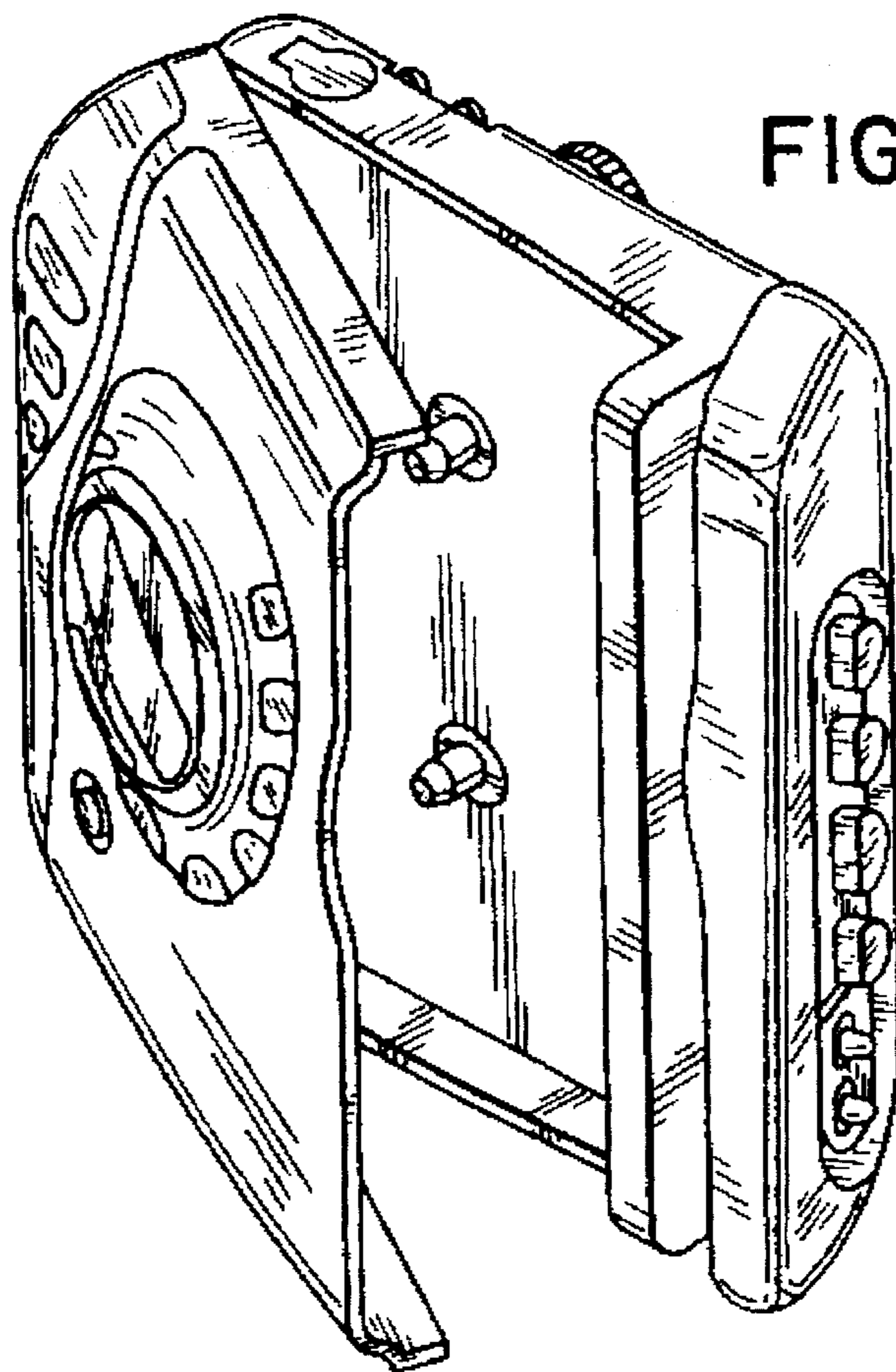


FIG. 2

FIG. 3

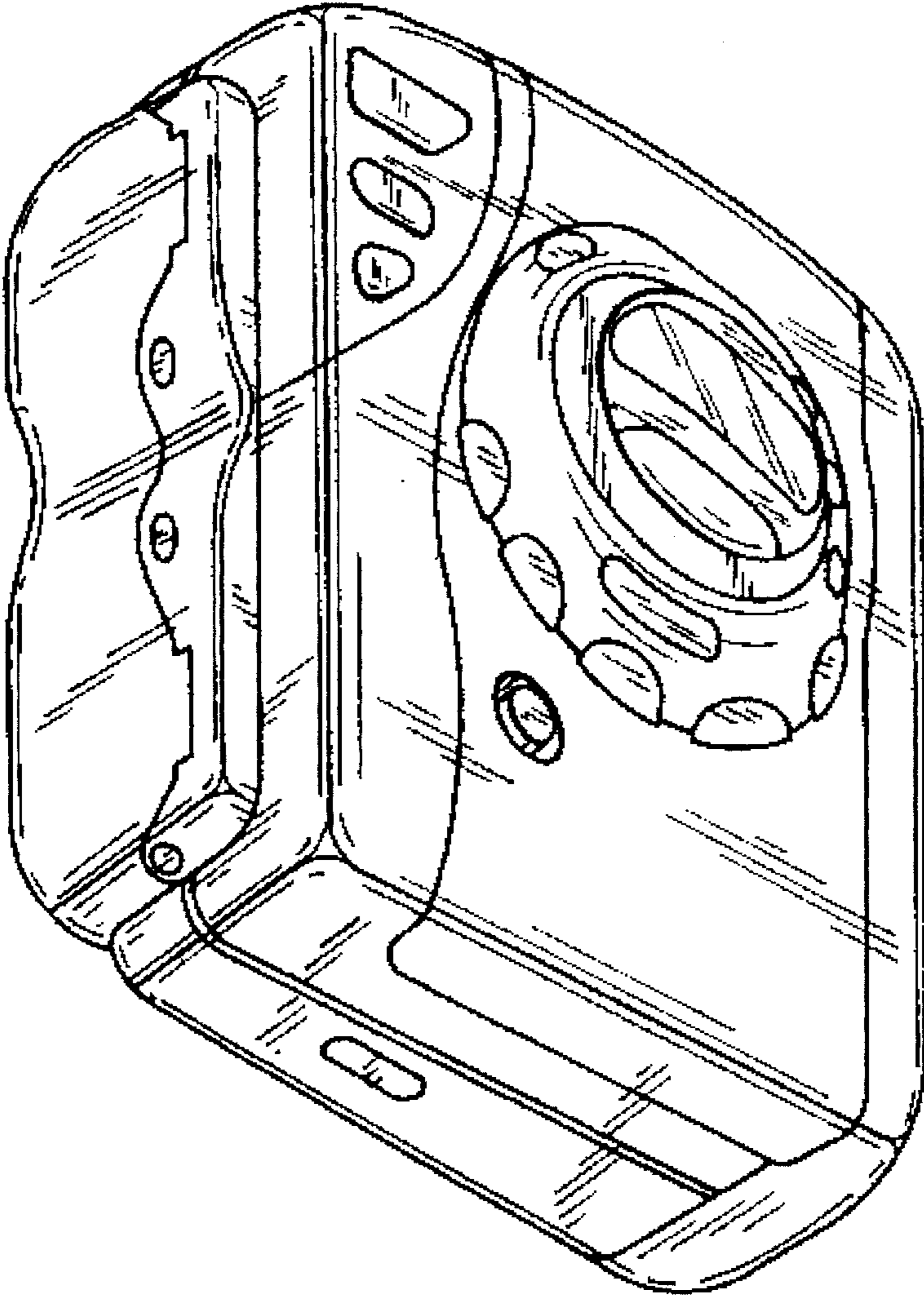


FIG. 4

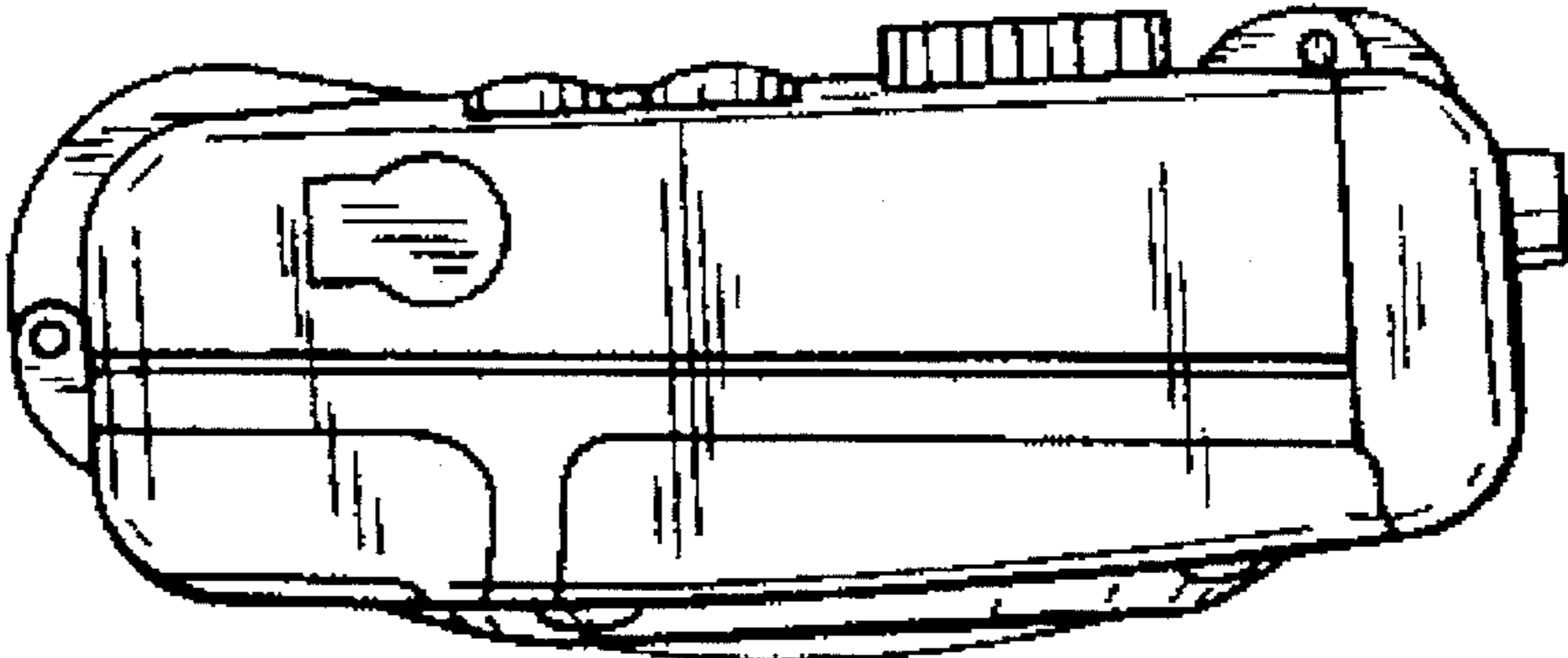


FIG. 5

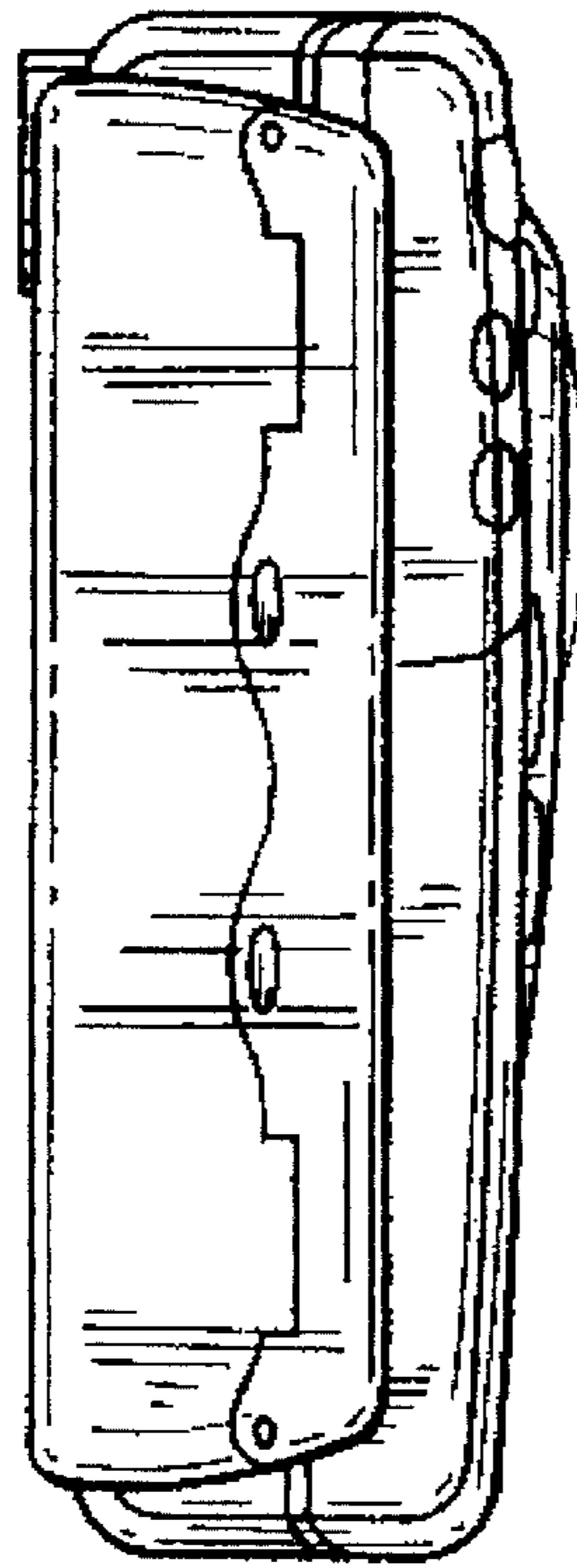


FIG. 6

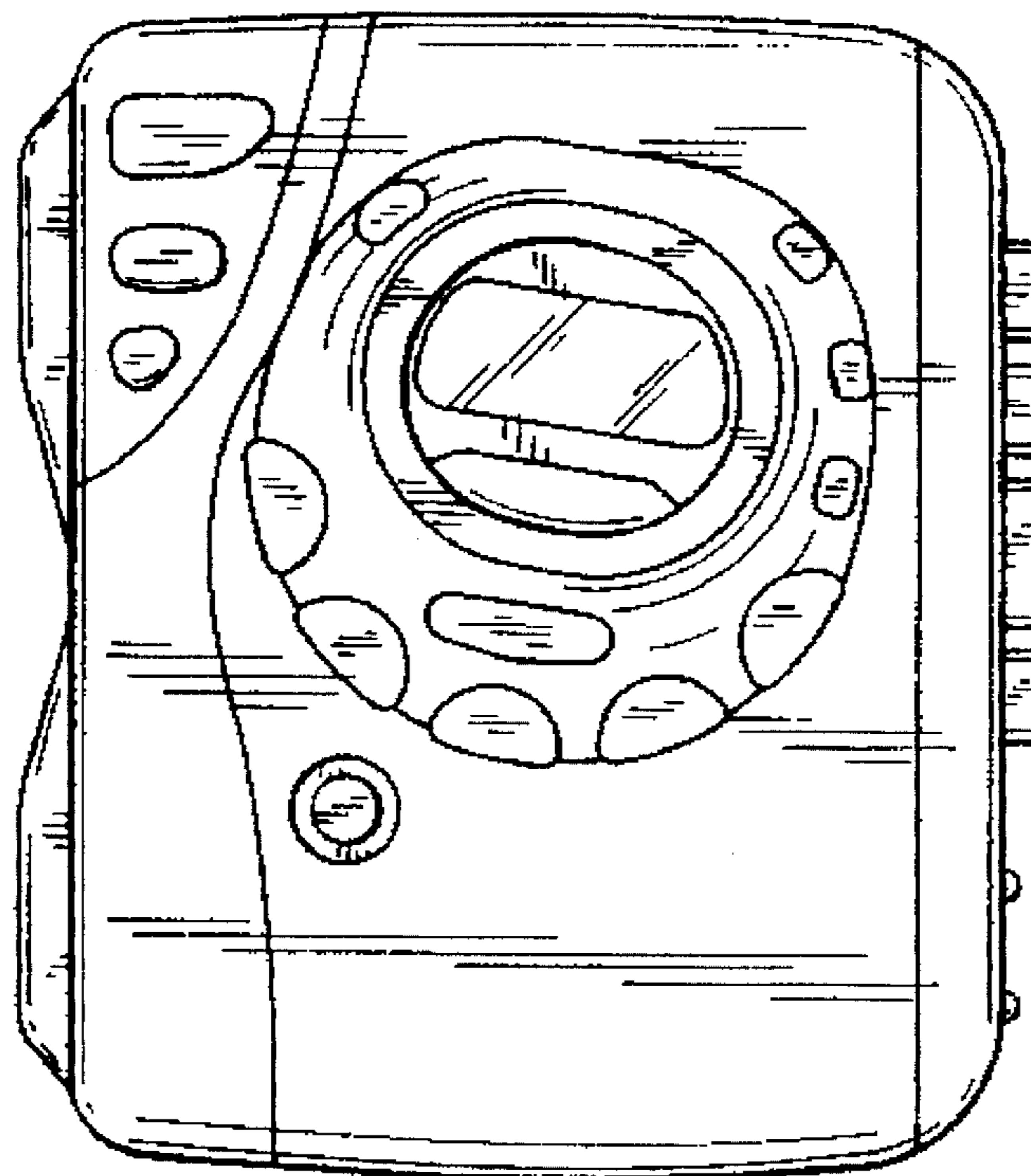


FIG. 7

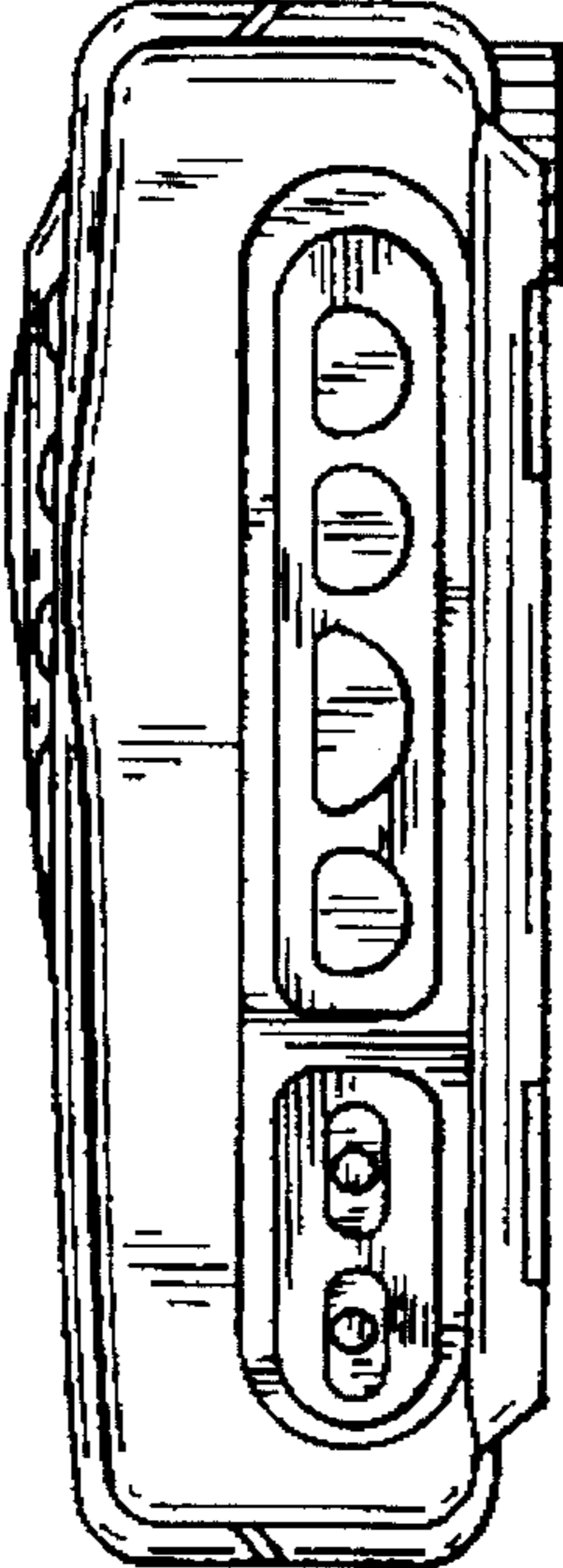


FIG. 8

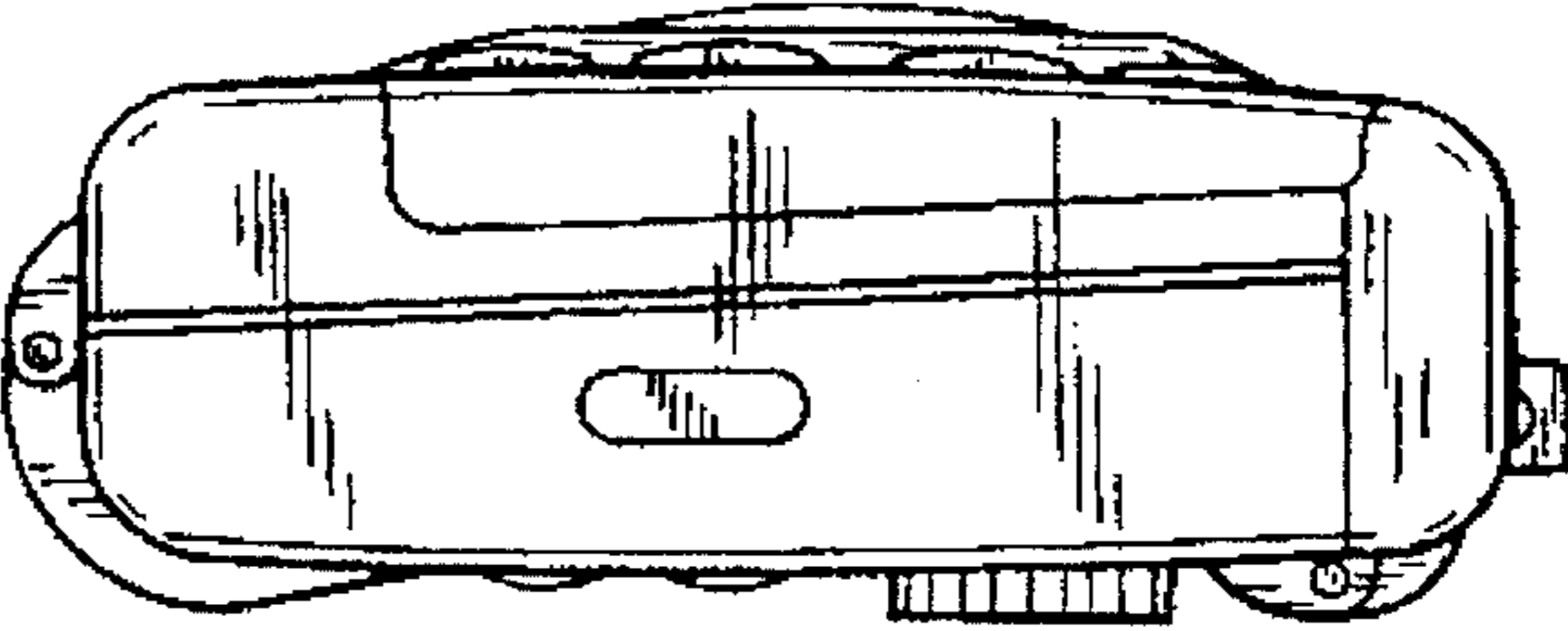


FIG. 9

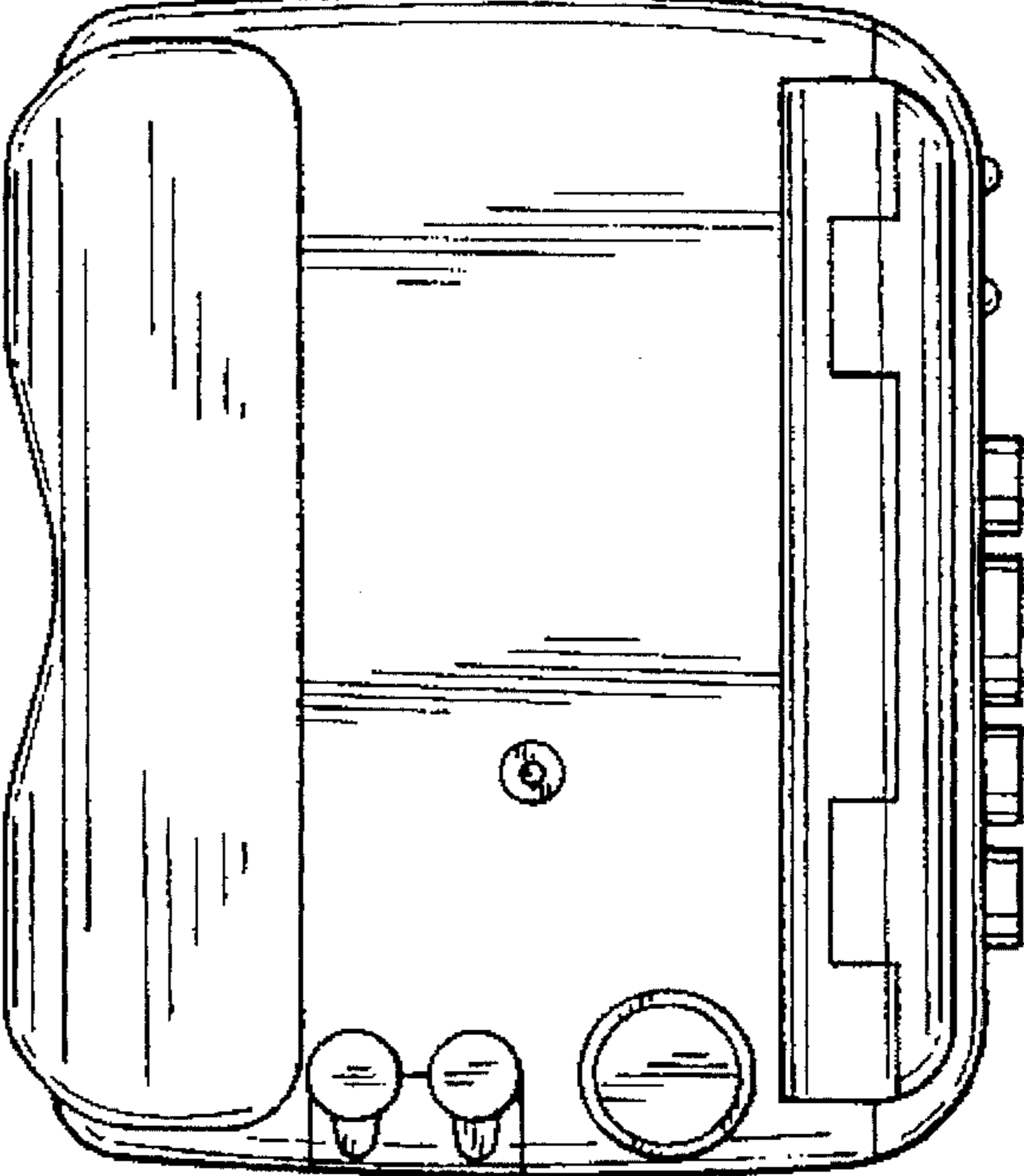


FIG. 10

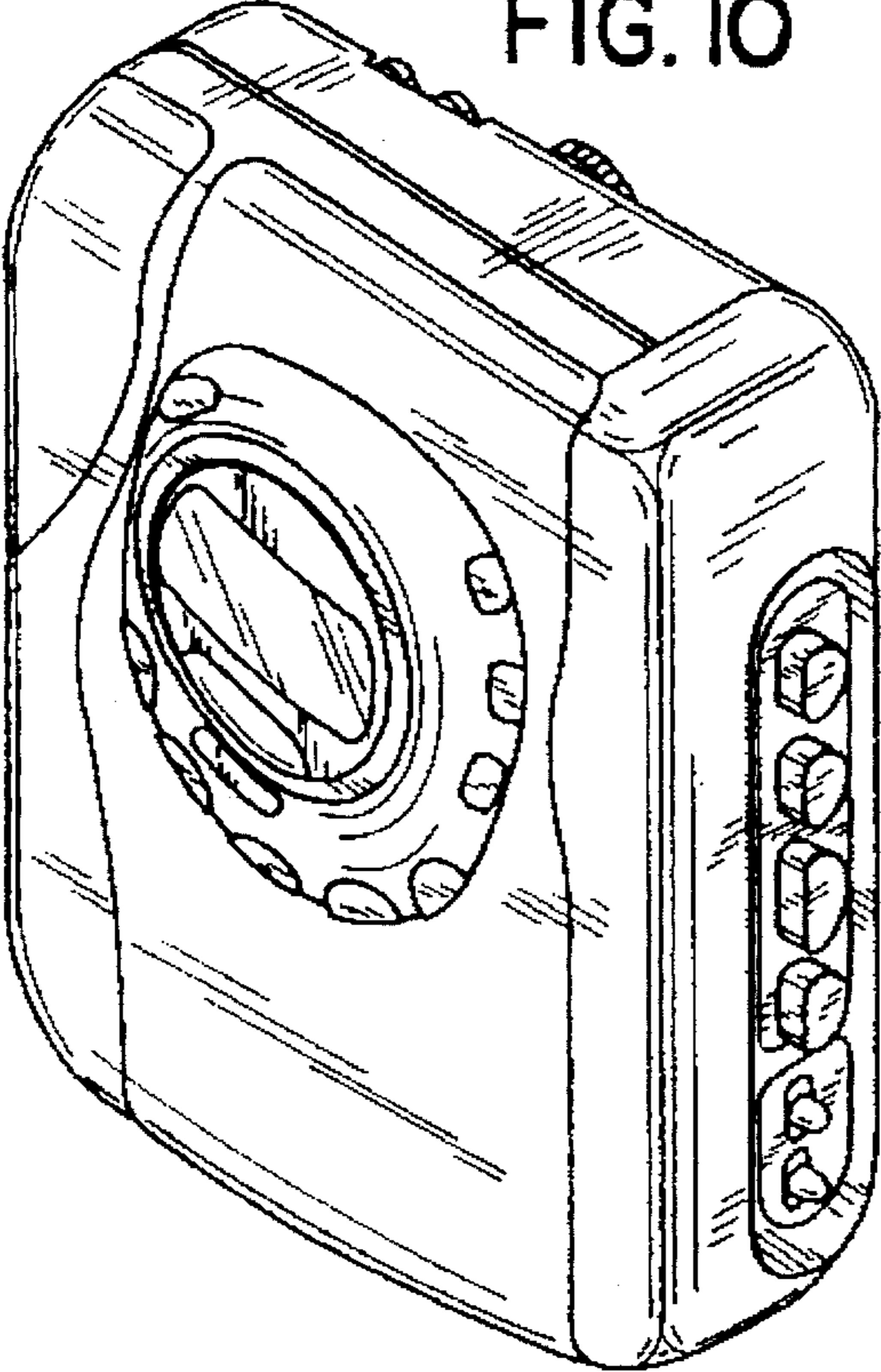


FIG. 11

