



US00D372467S

United States Patent [19]
Lee

[11] **Patent Number: Des. 372,467**
[45] **Date of Patent: **Aug. 6, 1996**

[54] **SCANNER**

[75] Inventor: **Marco Lee**, Taipei Hsien, Taiwan
[73] Assignee: **Silitek Corporation**, Taipei, Taiwan
[**] Term: **14 Years**

[21] Appl. No.: **36,848**
[22] Filed: **Mar. 29, 1995**
[52] U.S. Cl. **D14/107**
[58] Field of Search D14/100, 105,
D14/107, 118; D18/36, 37, 39; 250/556,
563; 235/454, 470; 358/408, 472, 474,
497; 348/373-376

[56] **References Cited**

U.S. PATENT DOCUMENTS

D. 240,162	6/1976	Matwey	D18/36
D. 329,644	9/1992	Cheung	D14/118
D. 334,383	3/1993	Grosse	D14/118
D. 346,163	4/1994	Sowden	D14/118

OTHER PUBLICATIONS

Macworld Mar. 1994 p. 122 *Scanner*.
PC World Jan. 1994 p. 92 Hewlett Packard color printer.
Primary Examiner—Freda Nunn
Attorney, Agent, or Firm—Morton J. Rosenberg; David I. Klein

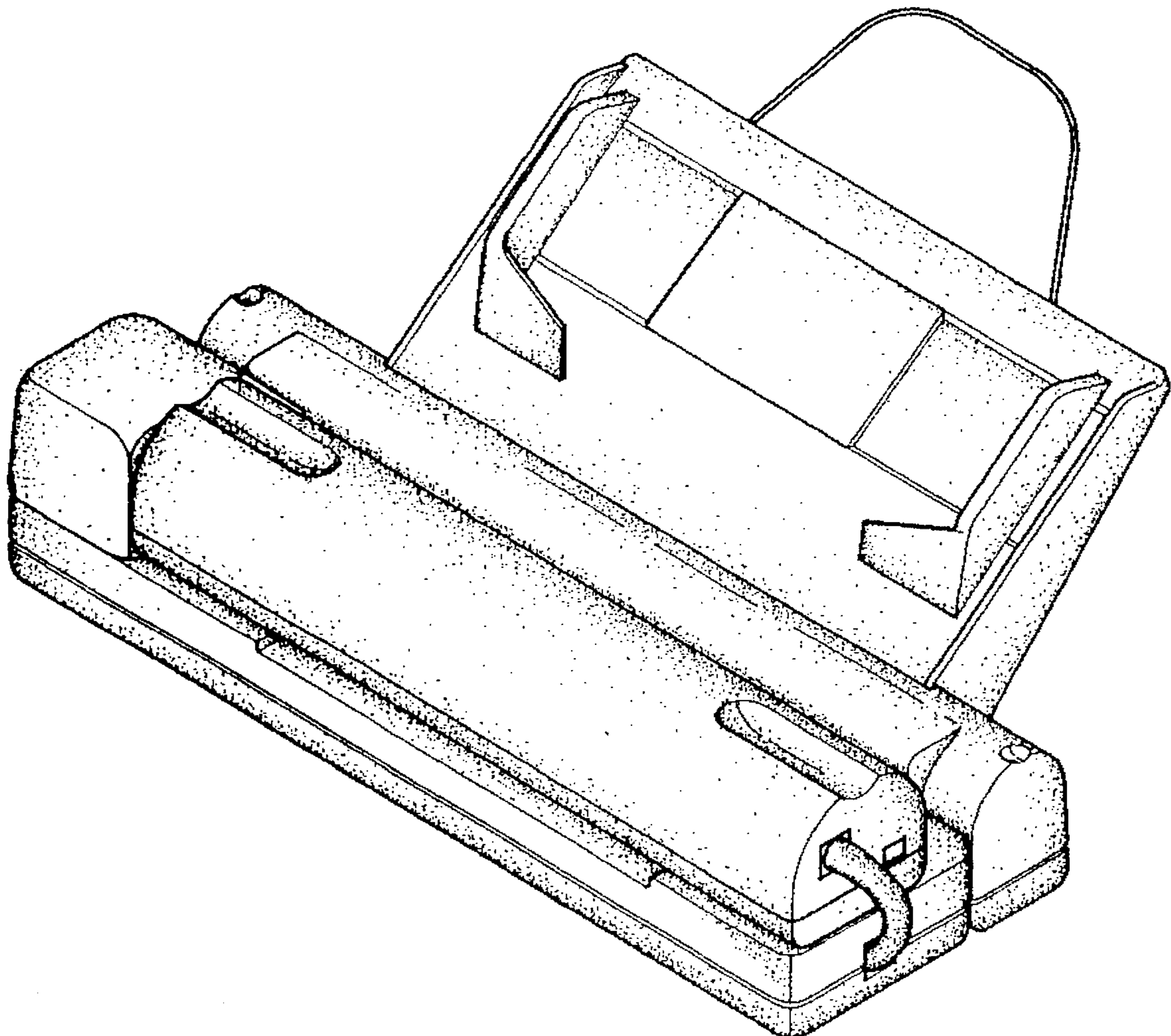
[57] **CLAIM**

The ornamental design for a scanner, as shown and described.

DESCRIPTION

FIG. 1 is the perspective view of a design for a scanner showing my design;
FIG. 2 is the front elevational view thereof;
FIG. 3 is the rear elevational view thereof;
FIG. 4 is the left side elevational view thereof;
FIG. 5 is the right side elevational view thereof;
FIG. 6 is the top plan view thereof; and,
FIG. 7 is the bottom plan view thereof.

1 Claim, 7 Drawing Sheets



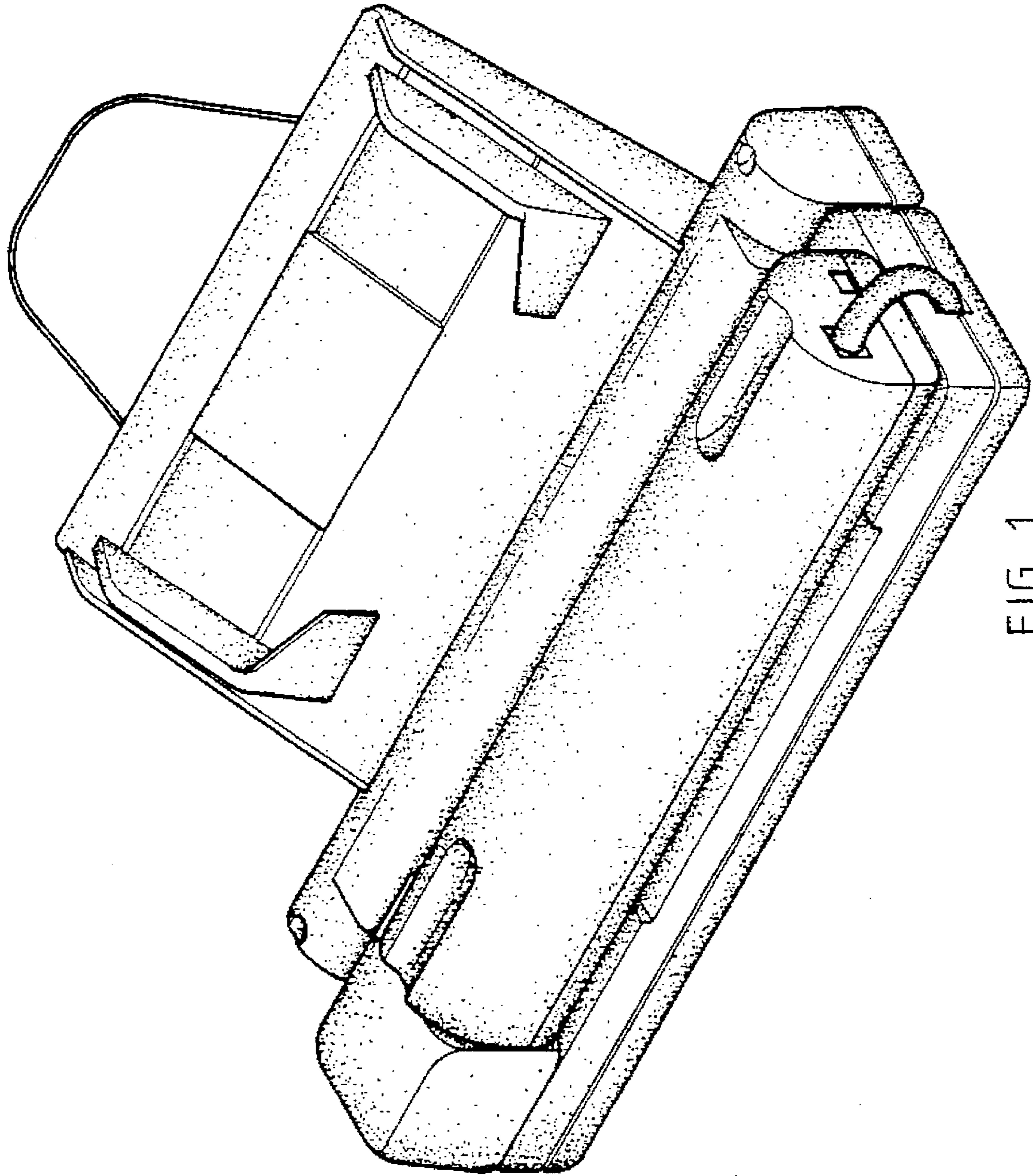


FIG. 1

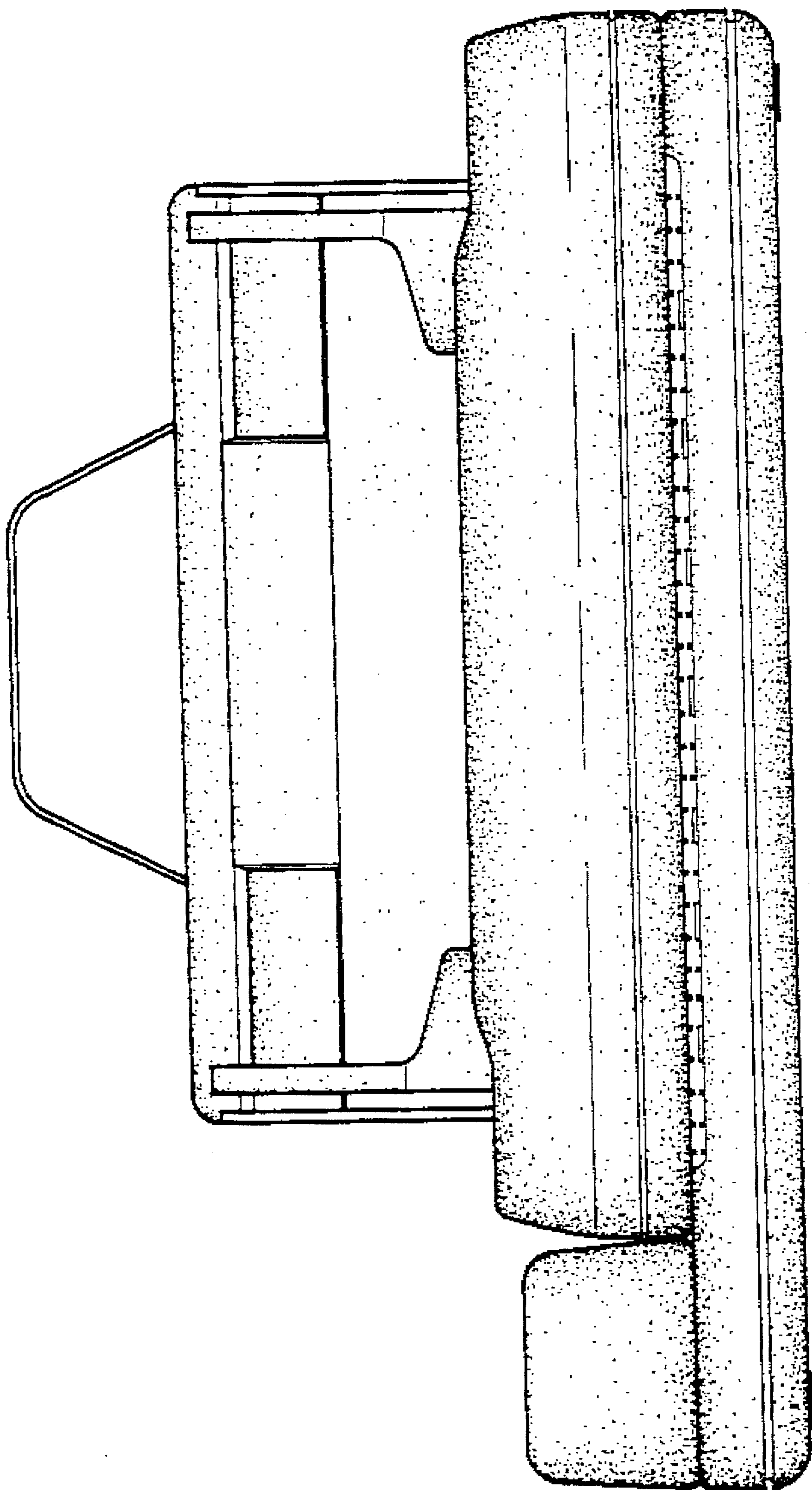


FIG. 2

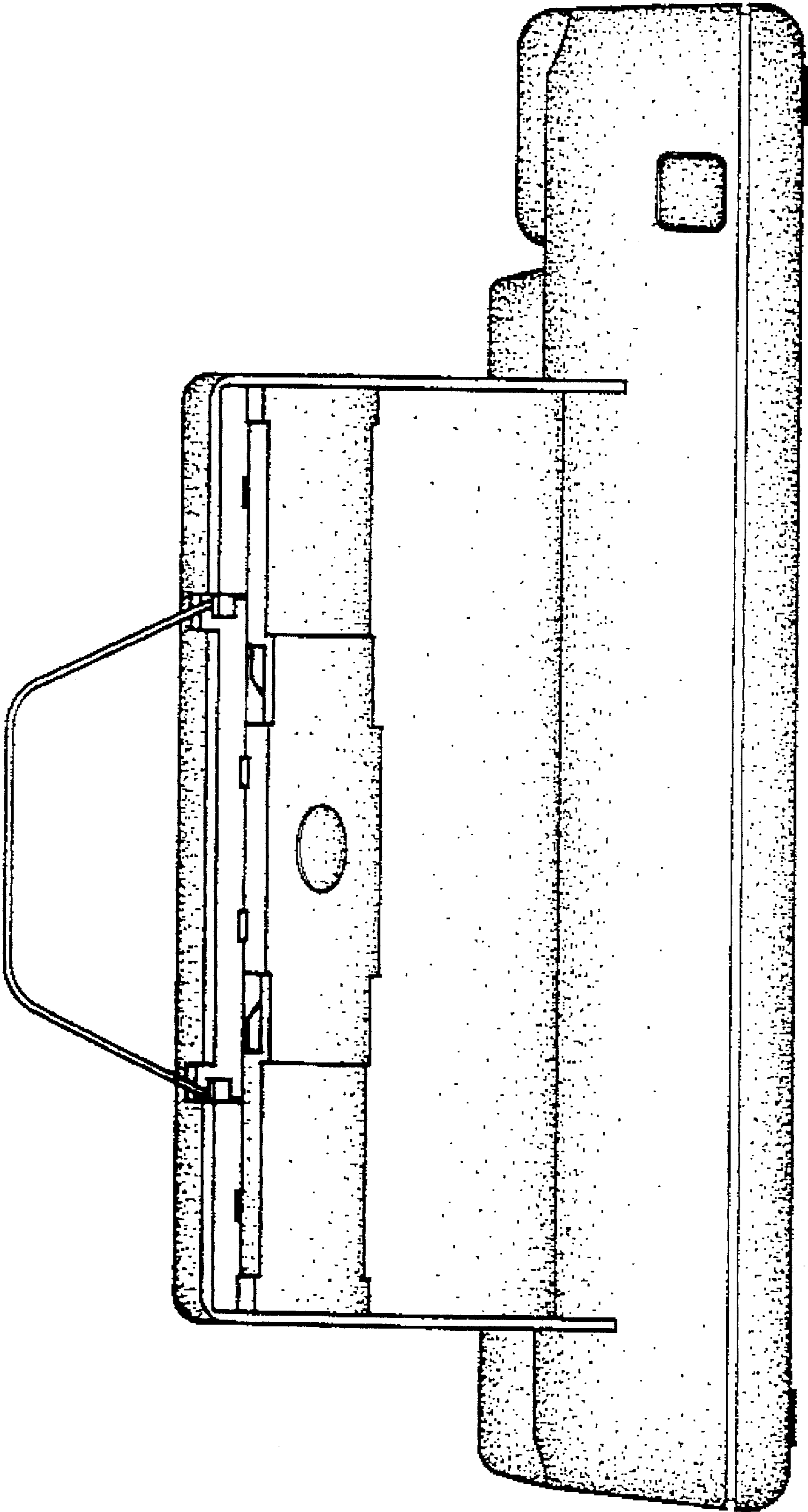


FIG. 3

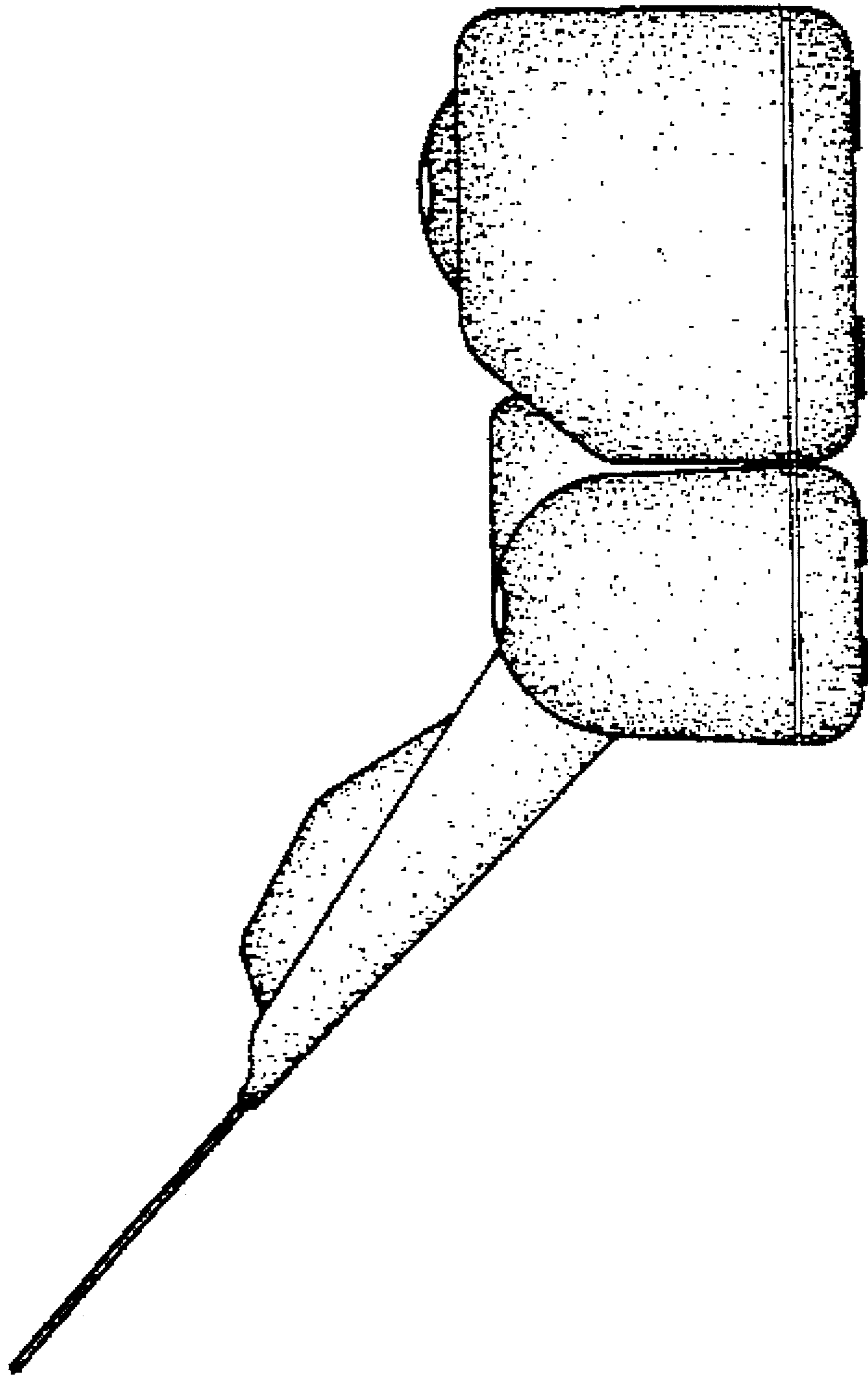


FIG. 4

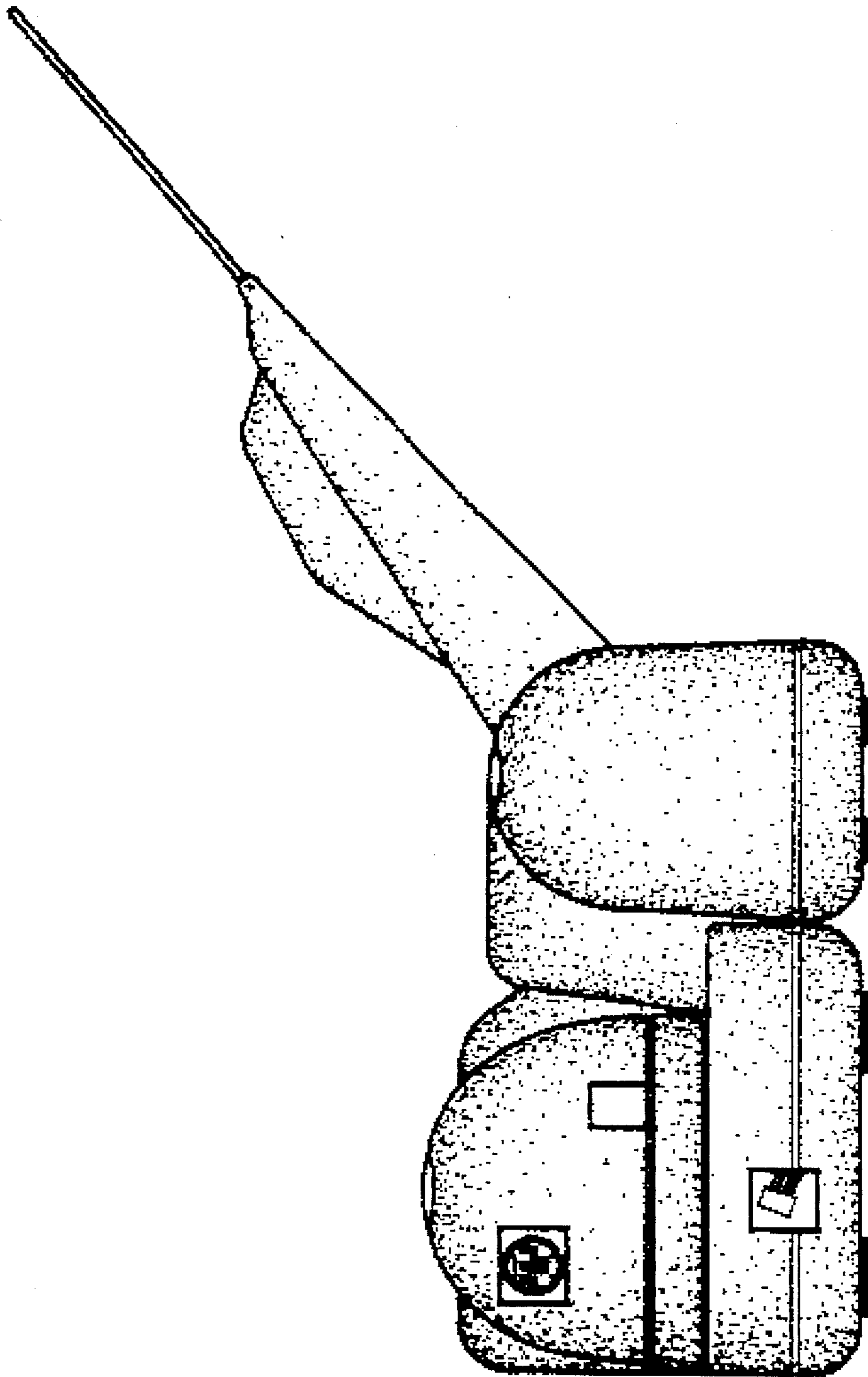


FIG. 5

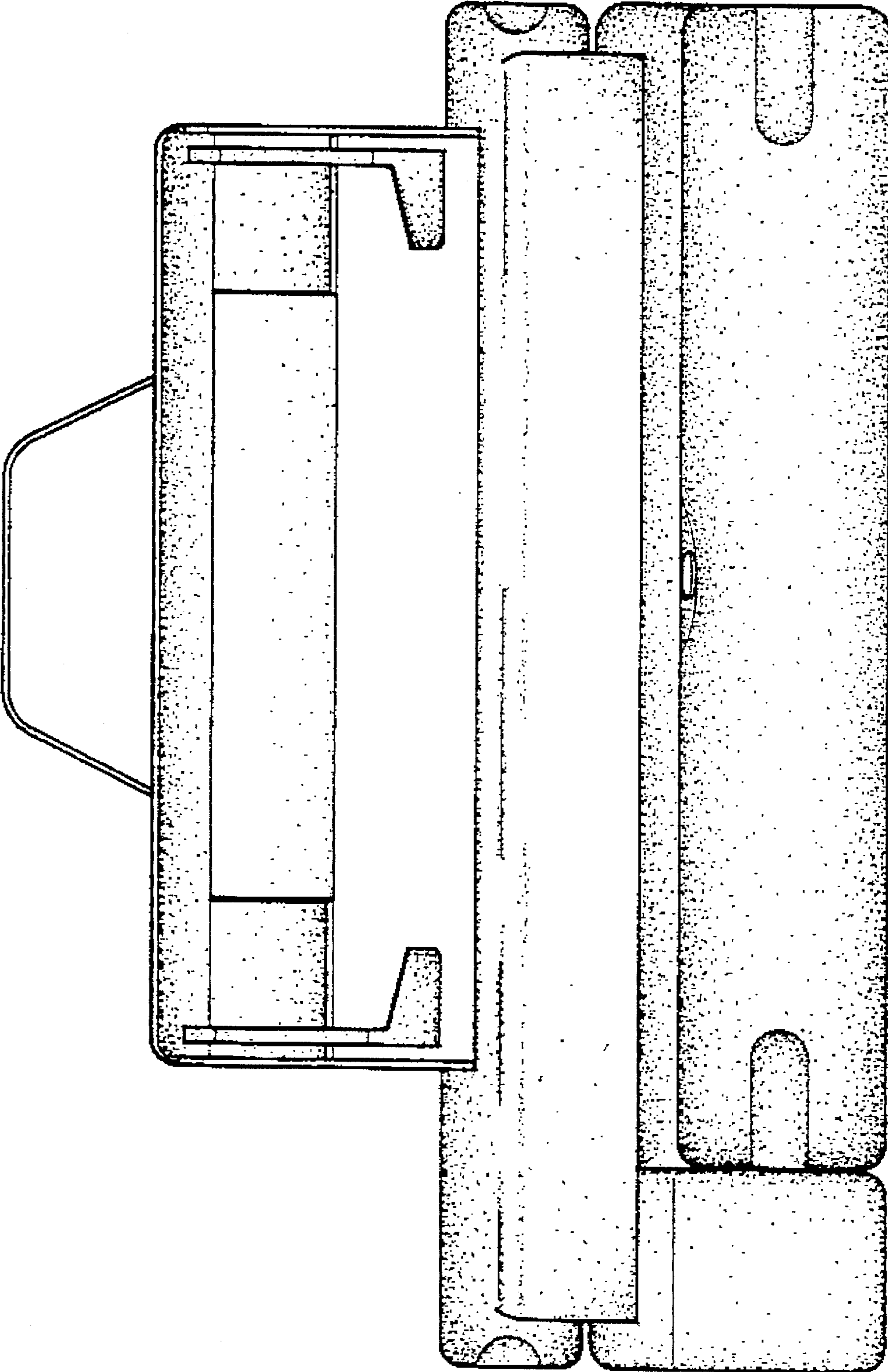


FIG. 6

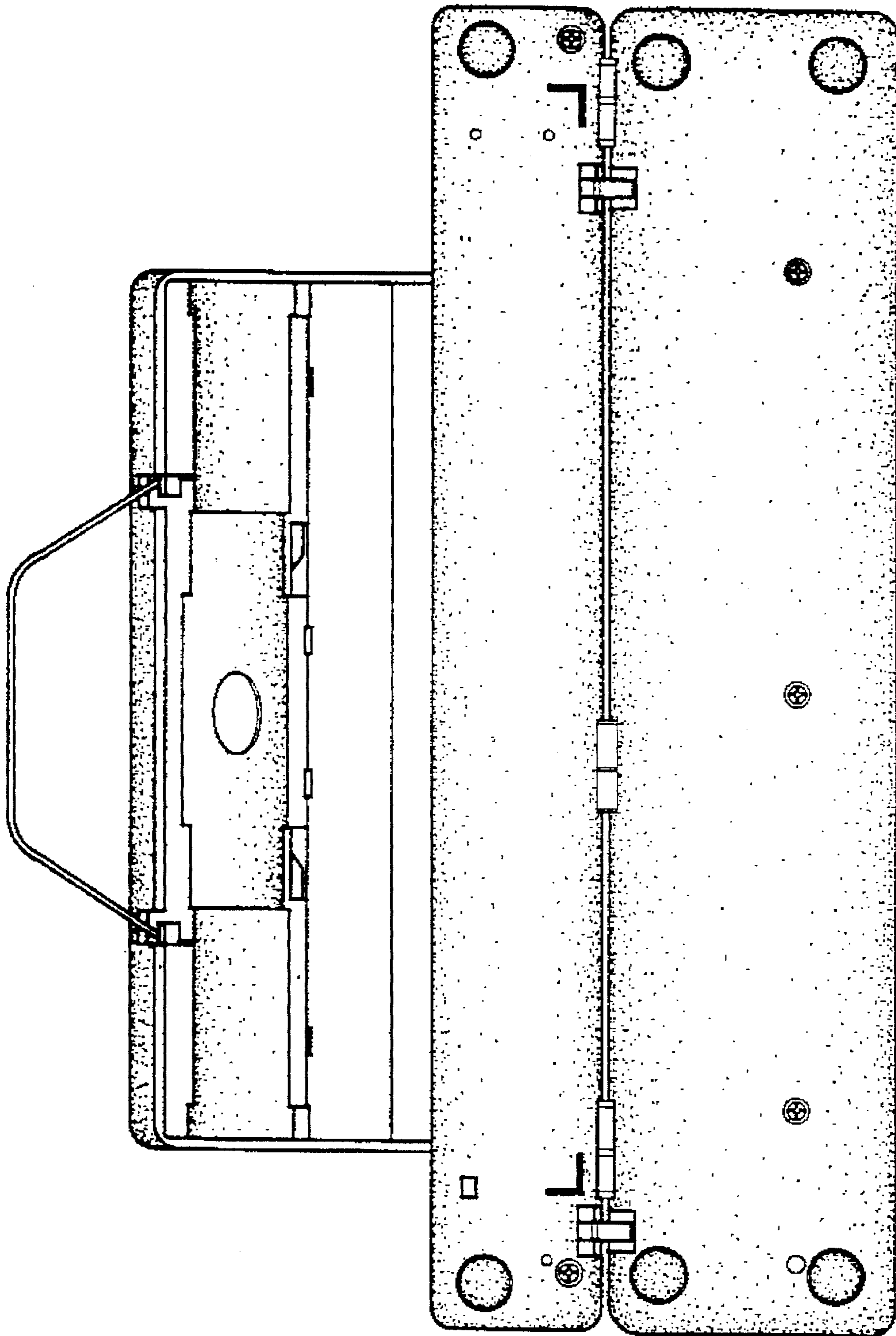


FIG. 7