



US00D372465S

United States Patent [19]

[11] Patent Number: **Des. 372,465**

Karidis et al.

[45] Date of Patent: ****Aug. 6, 1996**

[54] **PERSONAL COMPUTER WITH EXTENDED KEYBOARD**

Primary Examiner—Freda Nunn
Attorney, Agent, or Firm—Bernard D. Bogdon

[75] Inventors: **John P. Karidis**, Ossining, N.Y.;
Samuel A. Lucente, II, Stamford, Conn.;
Robert P. Tennant, Apex, N.C.;
Lawrence A. Stone, Cary, N.C.;
Michael L. King, Durham, N.C.;
Martin T. Tucker, Morrisville, N.C.;
Gerard McVicker, Wappingers Falls, N.Y.;
Richard F. Sapper, Milan, Italy

[57] **CLAIM**

The ornamental design for a personal computer with extended keyboard, as shown and described.

[73] Assignee: **International Business Machines Corporation**, Armonk, N.Y.

DESCRIPTION

[**] Term: **14 Years**

FIG. 1 is a perspective view of a personal computer with extended keyboard showing our new design in the closed position;

[21] Appl. No.: **40,079**

FIG. 2 is a front elevational view thereof;

[22] Filed: **Jun. 9, 1995**

FIG. 3 is a left side elevational view thereof;

[52] U.S. Cl. **D14/106; D14/115**

FIG. 4 is a right side elevational view thereof;

[58] **Field of Search** D14/100, 101,
D14/106, 113, 115; D18/7; 235/145 A,
145 R; 345/104, 156, 168, 173, 160; 341/22,
23; 361/679-686; 364/708.1, 709.04, 709.12;
400/486, 489

FIG. 5 is a rear elevational view thereof;

FIG. 6 is a top plan view thereof;

FIG. 7 is a bottom plan view thereof;

FIG. 8 is a perspective view thereof in the opened position with the keyboard extended to each side;

FIG. 9 is a front elevational view thereof;

FIG. 10 is a left side elevational view thereof;

FIG. 11 is a right side elevational view thereof;

FIG. 12 is a rear elevational view thereof;

FIG. 13 is a top plan view thereof; and,

FIG. 14 is a bottom plan view thereof.

[56] **References Cited**

U.S. PATENT DOCUMENTS

D. 339,330 9/1993 Sapper et al. D14/106

1 Claim, 14 Drawing Sheets

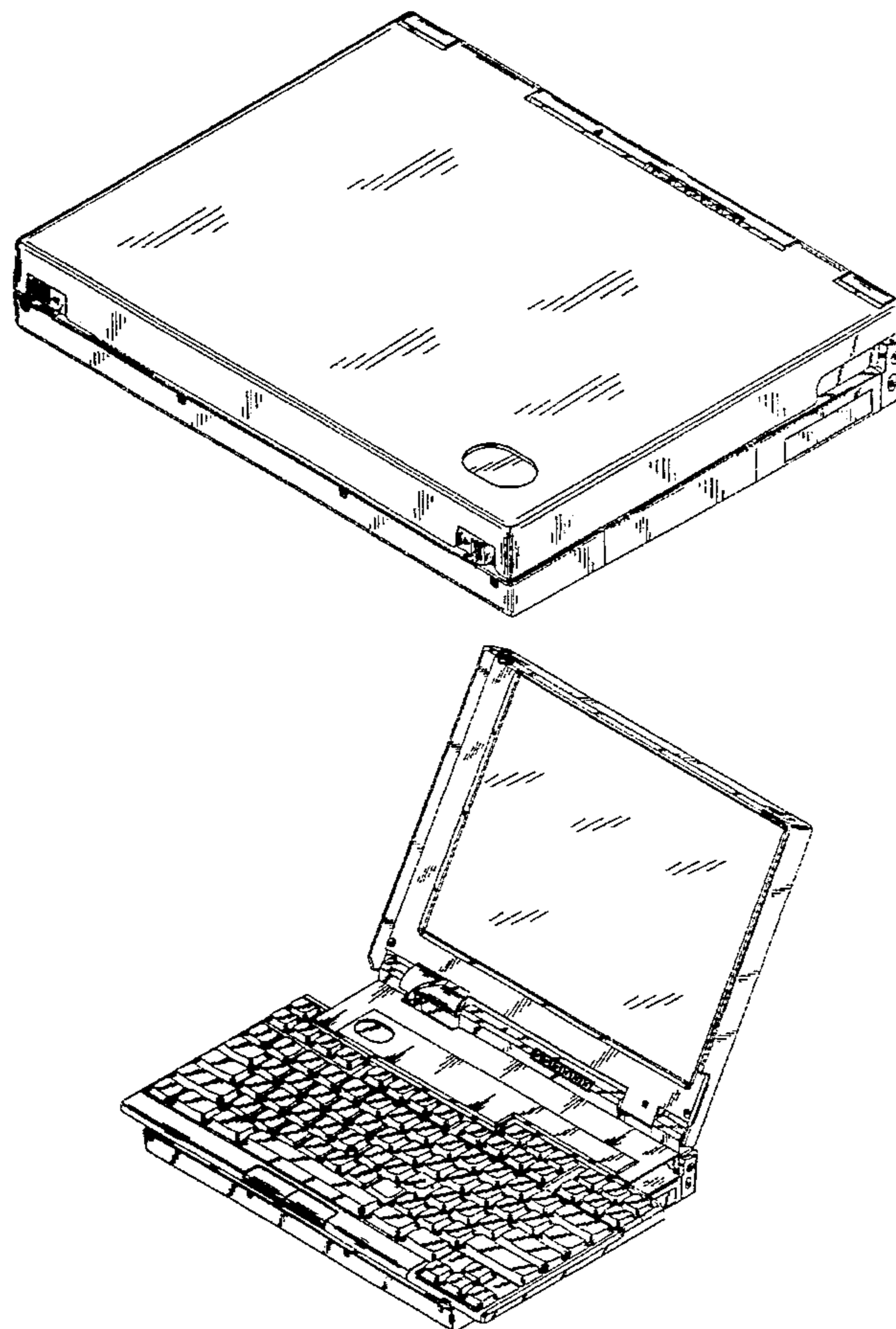


FIG. 1

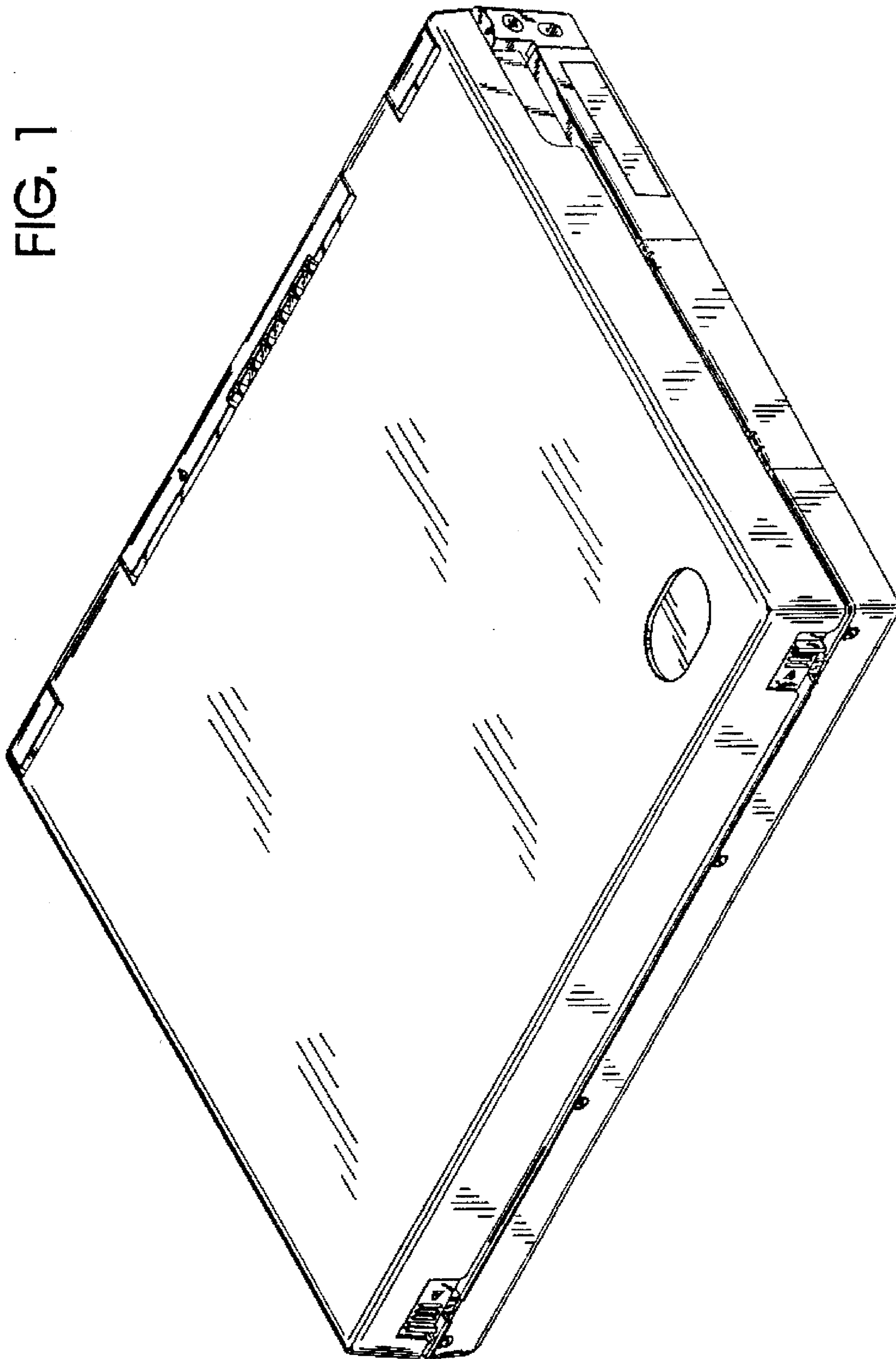


FIG. 2

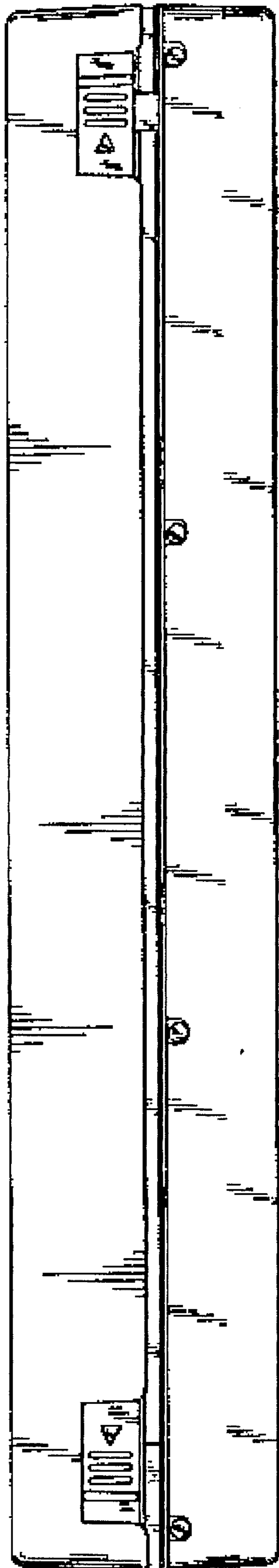


FIG. 3

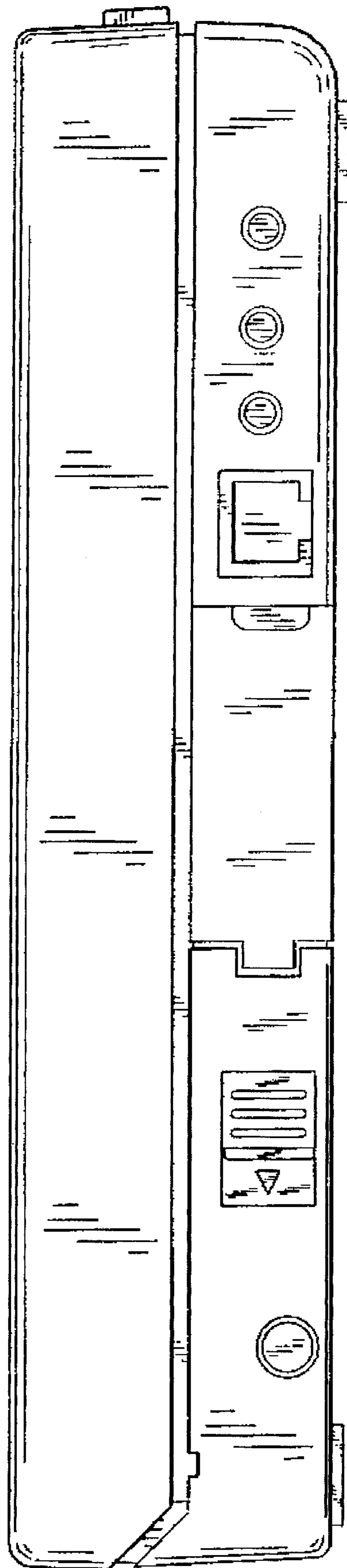


FIG. 4

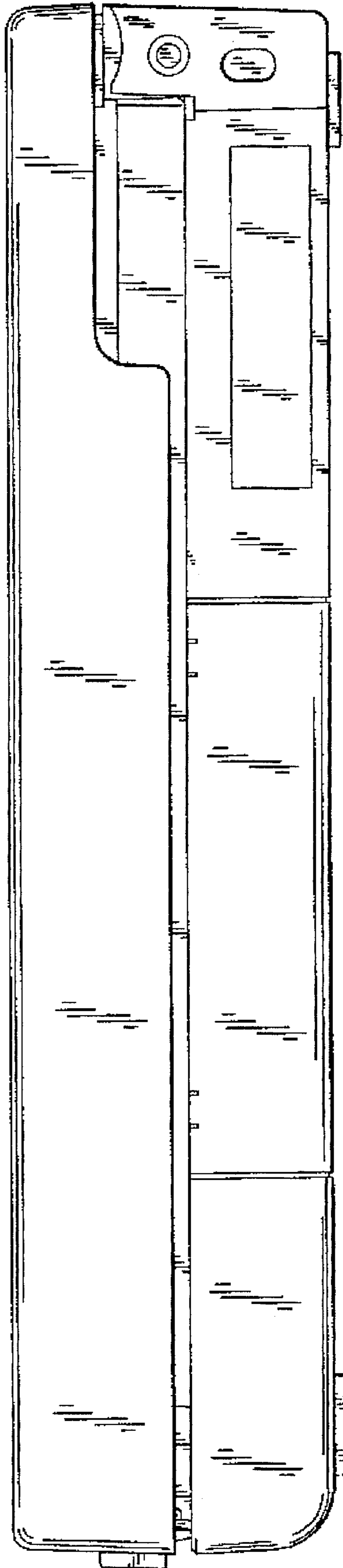


FIG. 5

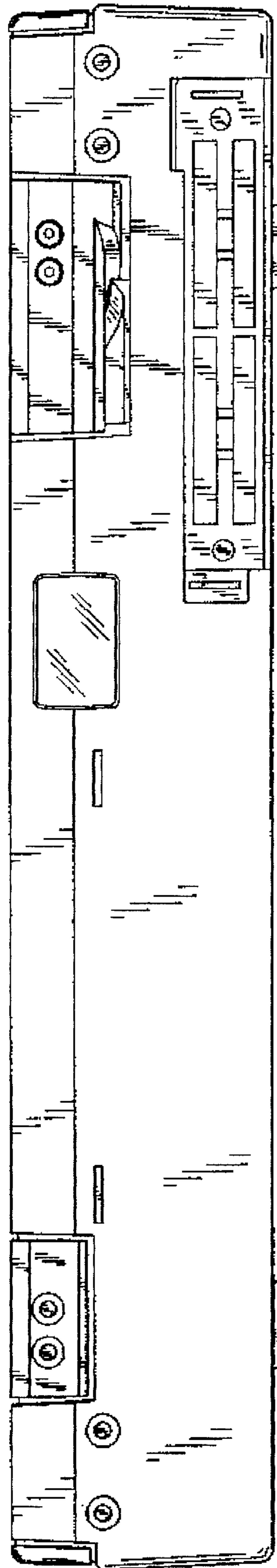


FIG. 6

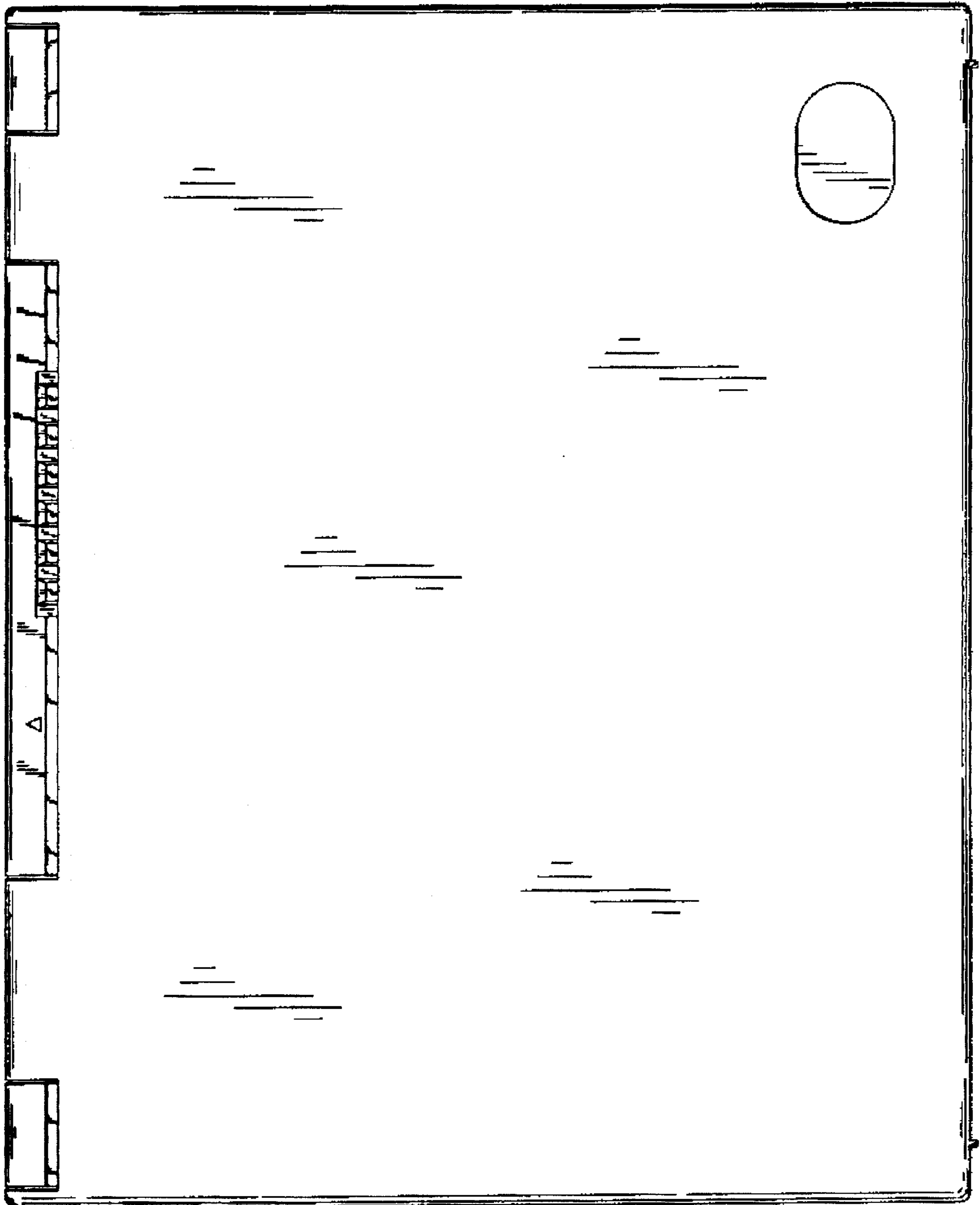
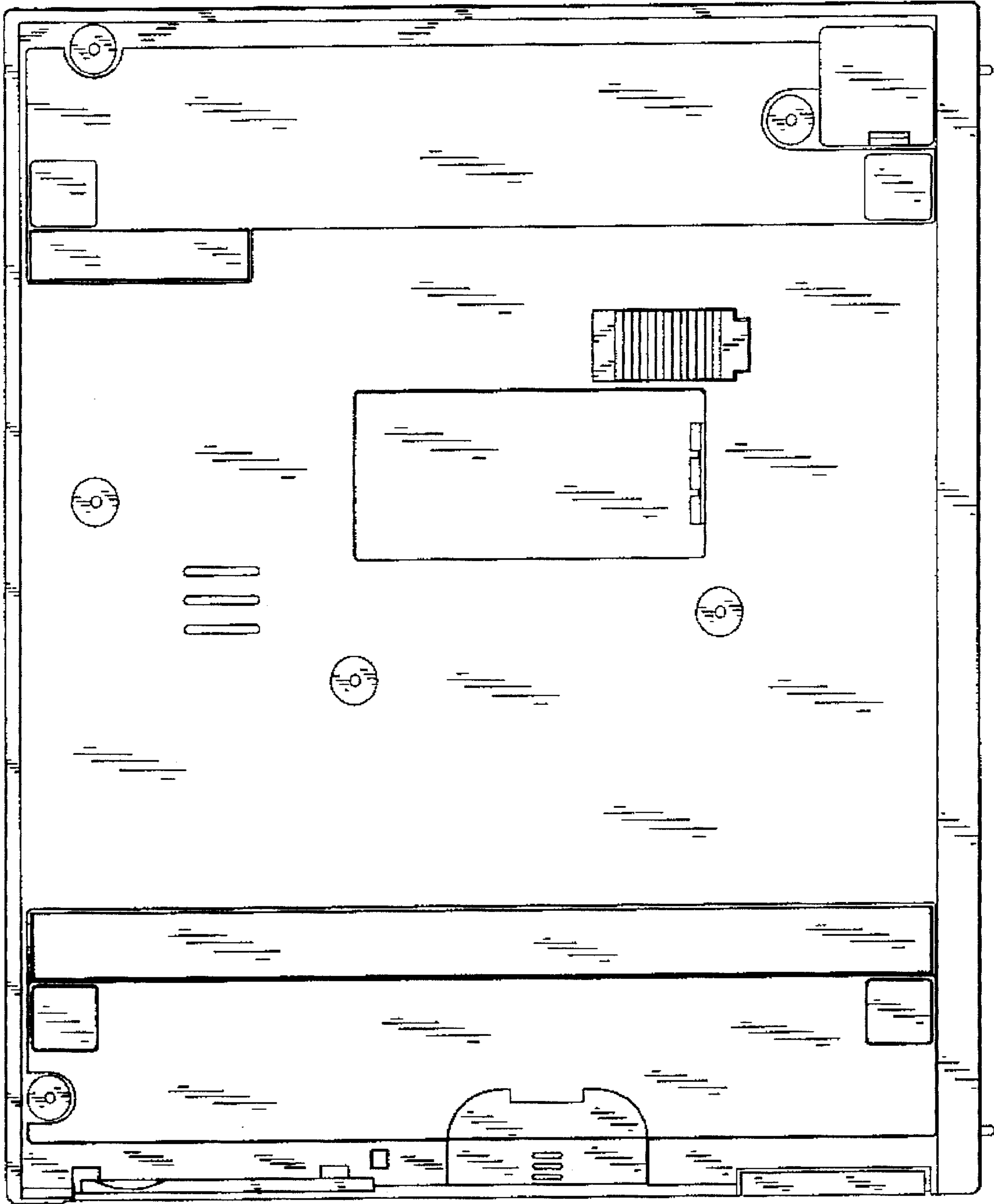


FIG. 7



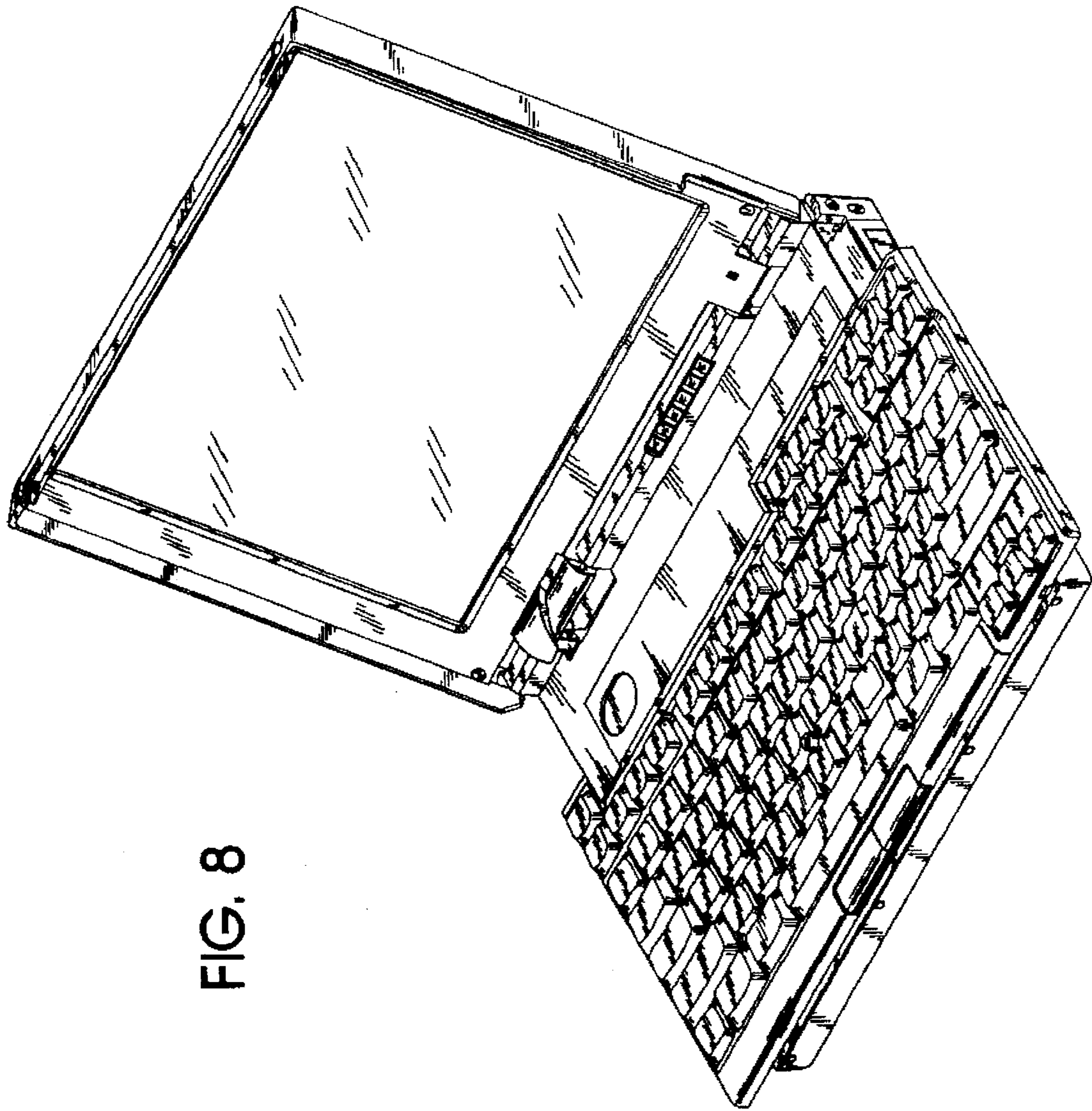


FIG. 8

FIG. 9

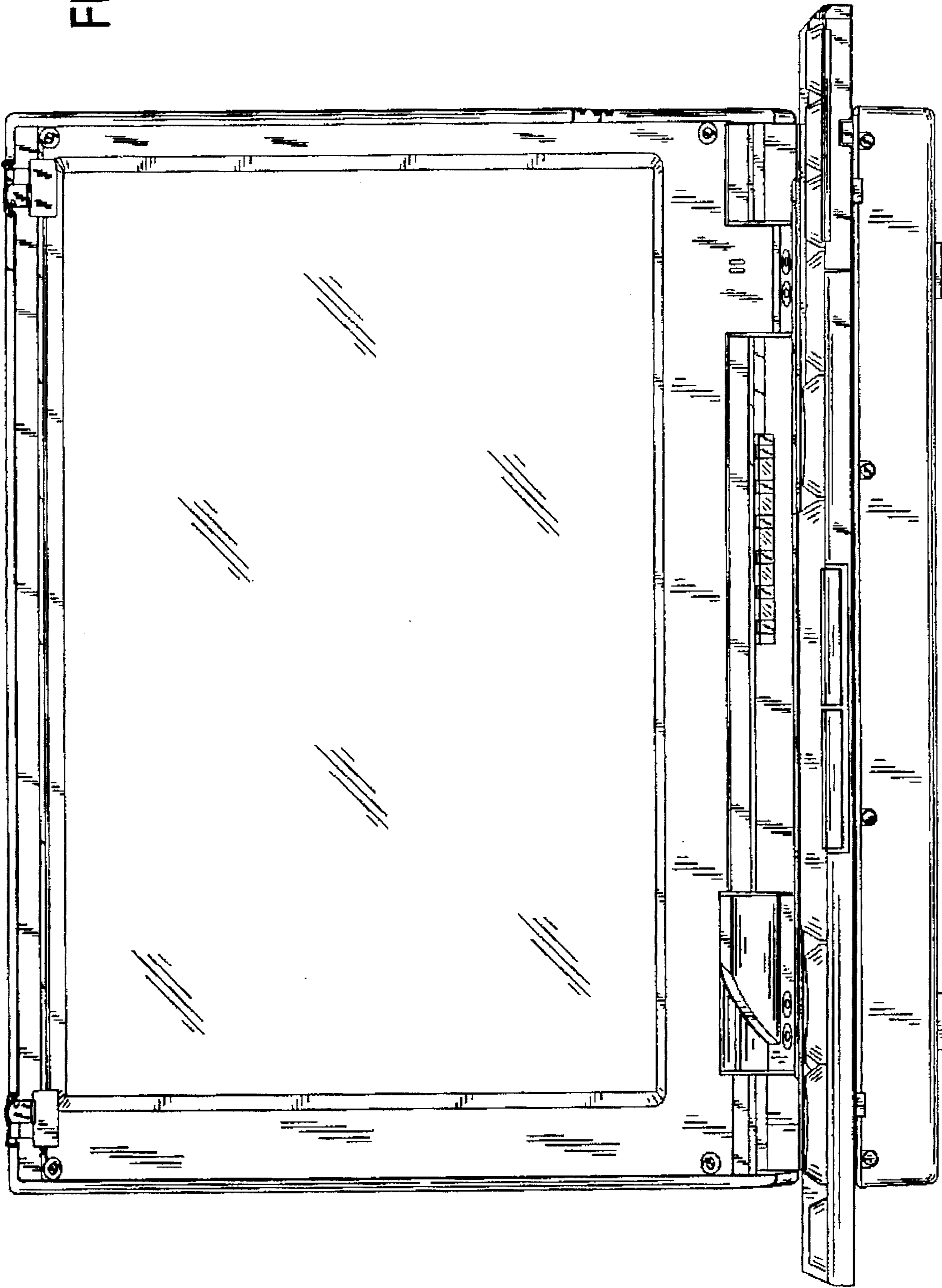
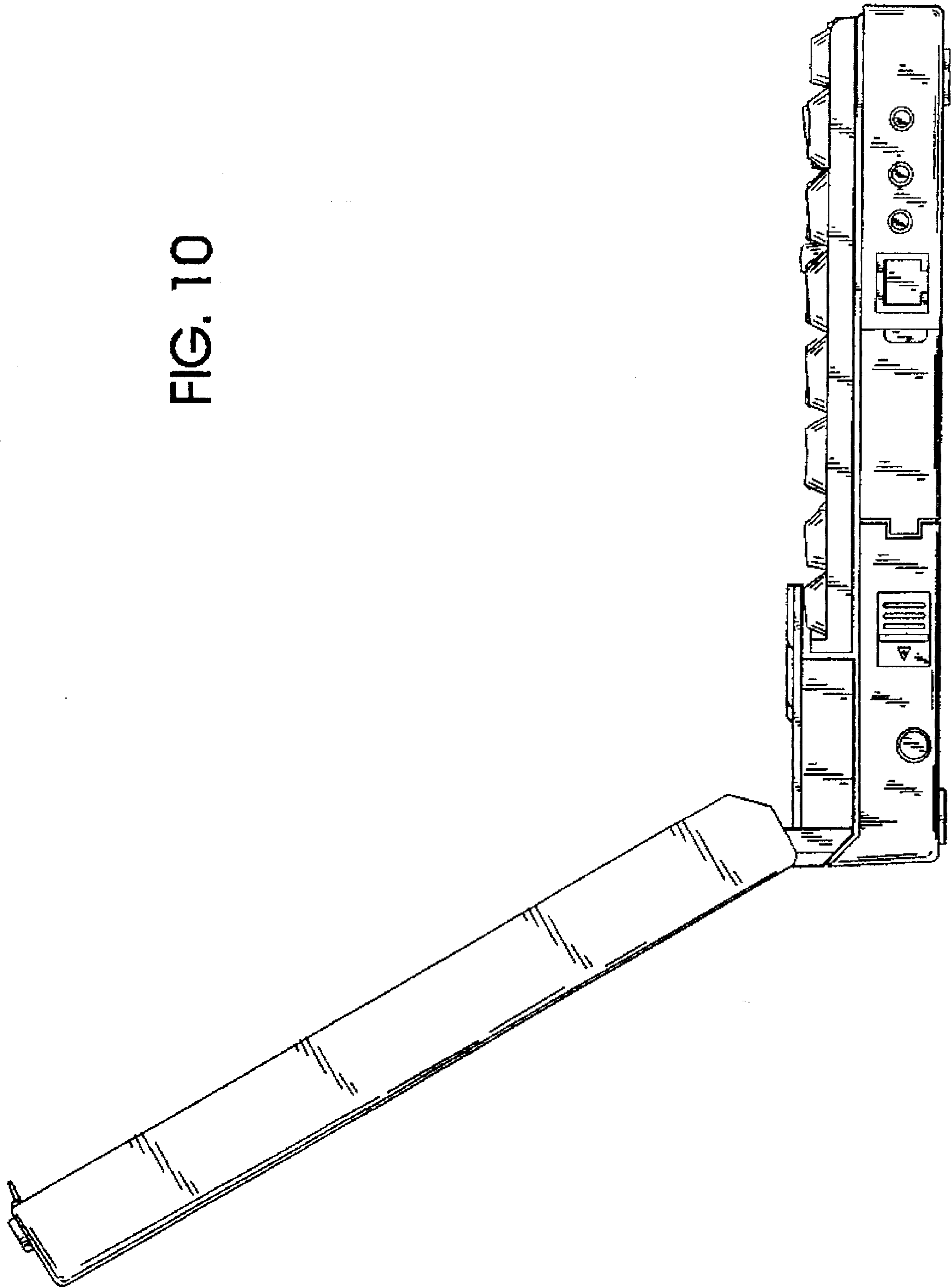


FIG. 10



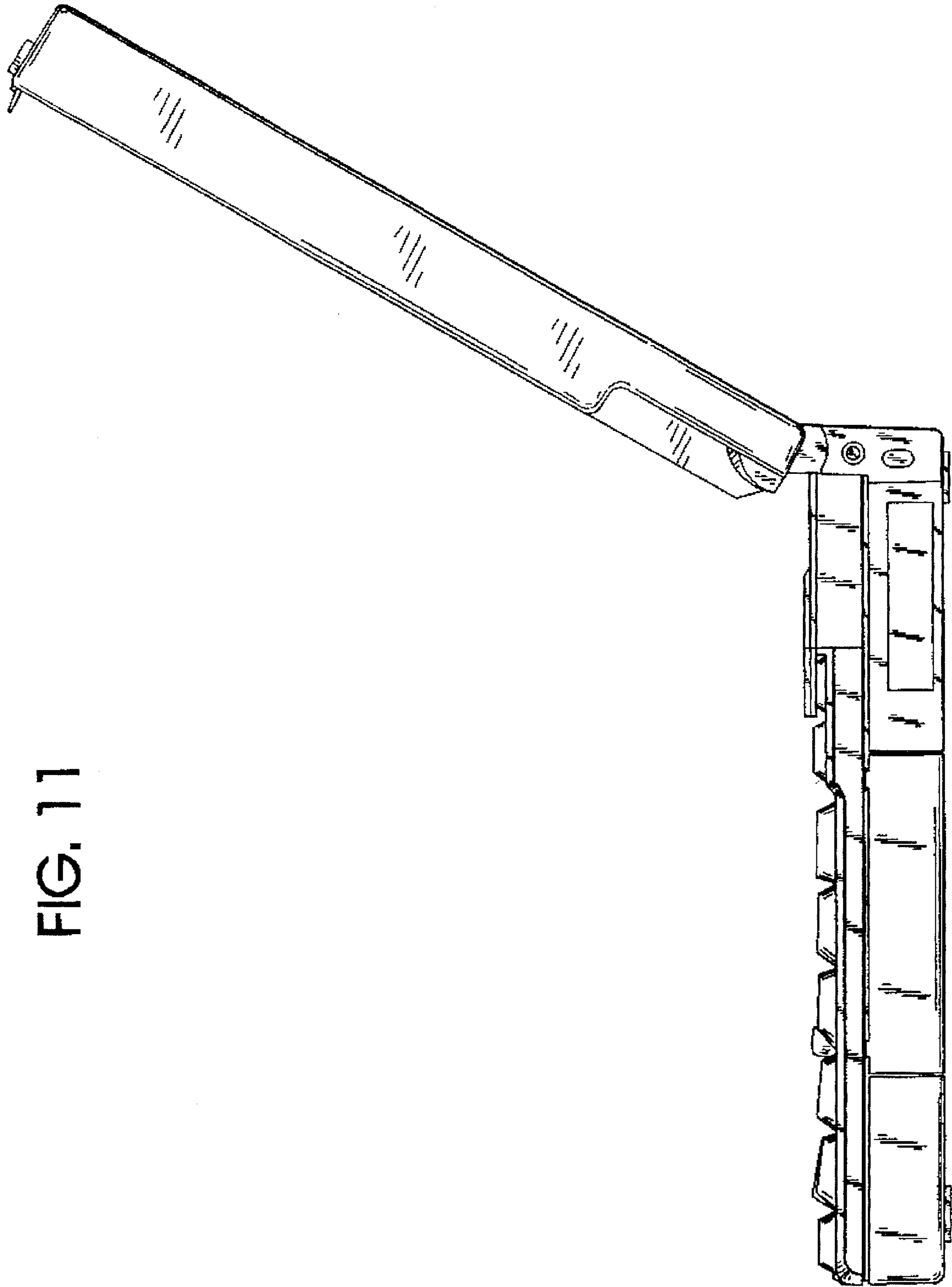


FIG. 11

FIG. 12

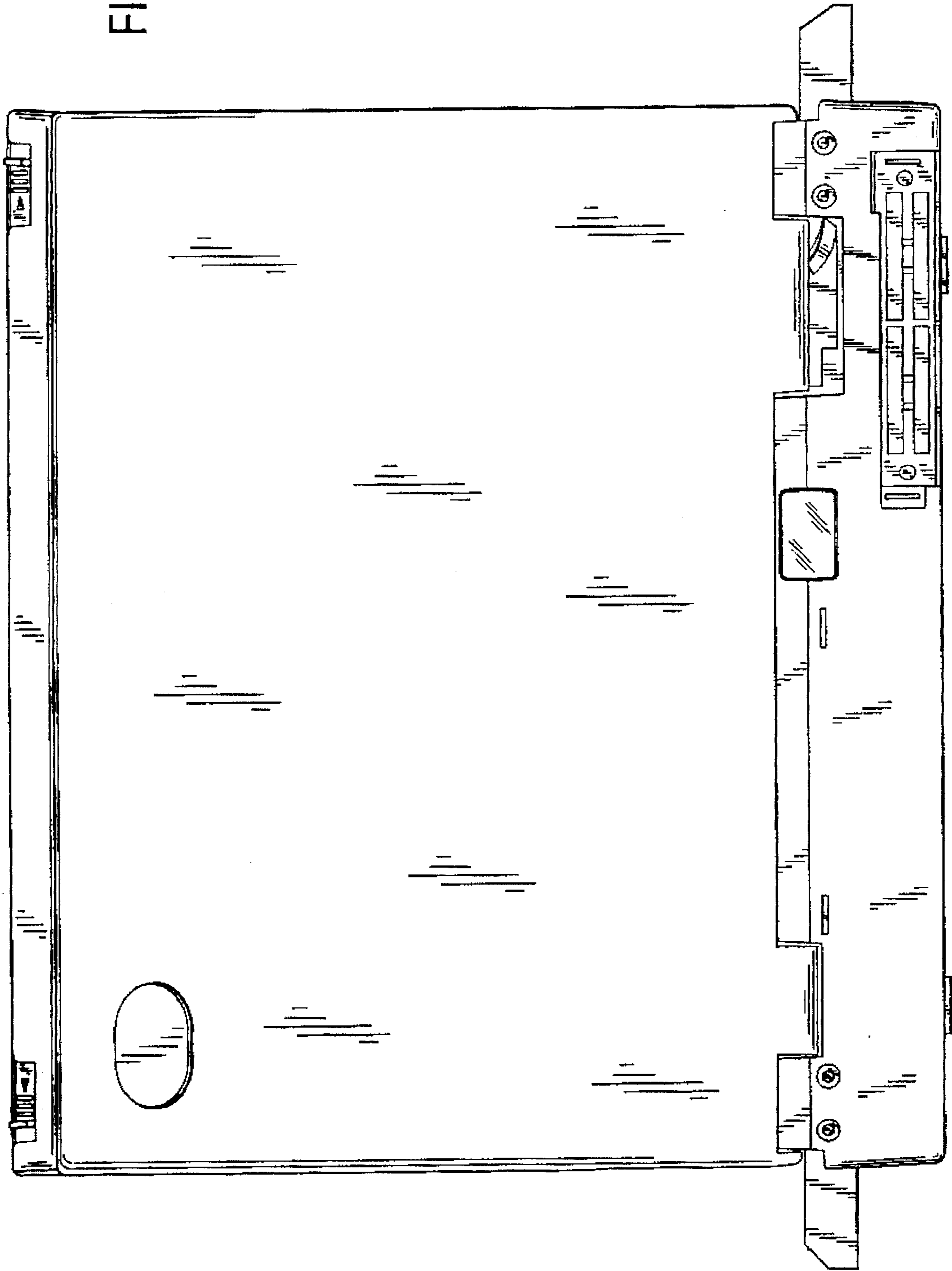


FIG. 13

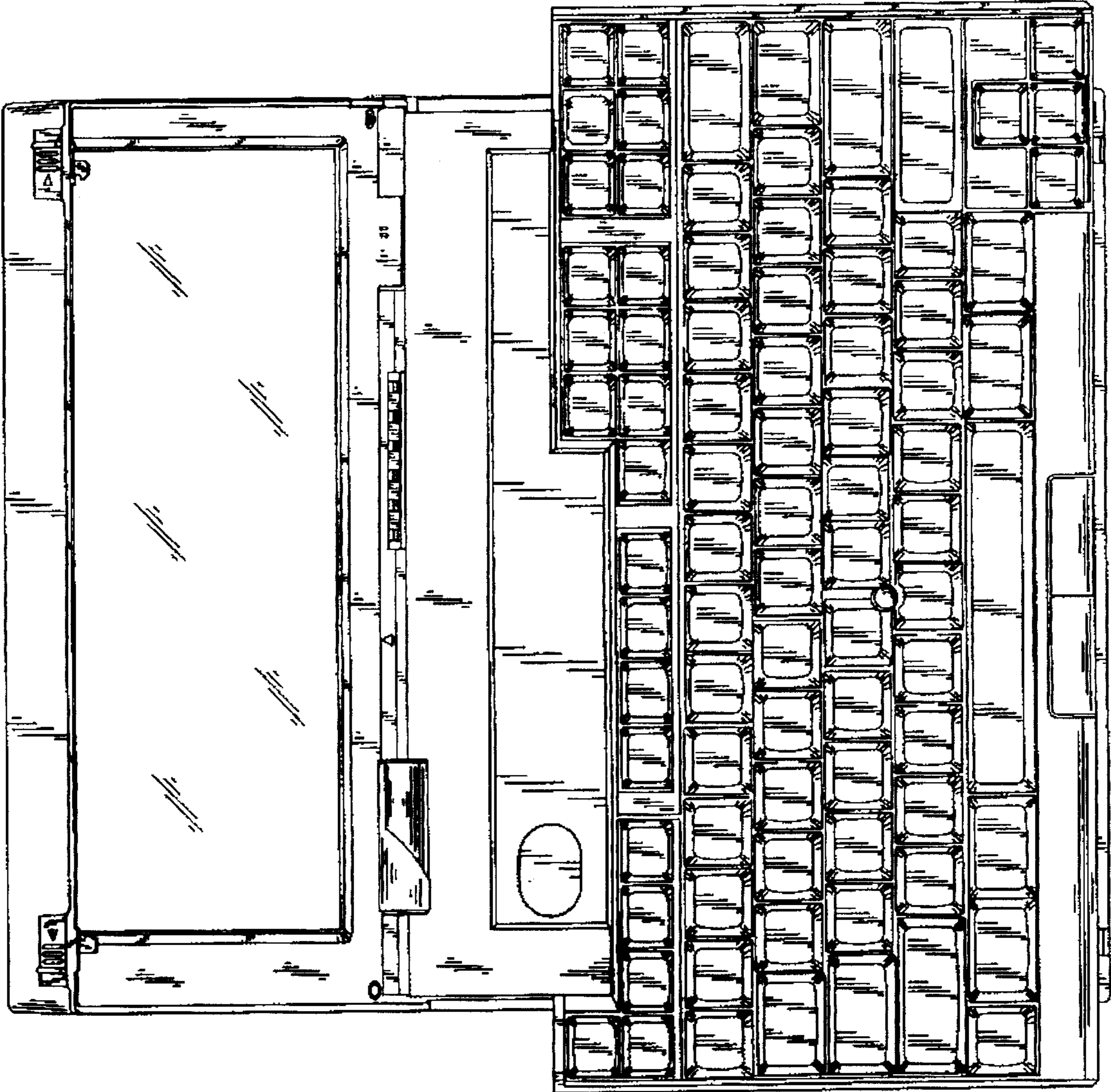


FIG. 14

