



US00D372461S

**United States Patent** [19]  
**Kenney**

[11] **Patent Number: Des. 372,461**

[45] **Date of Patent: \*\*Aug. 6, 1996**

[54] **CORD HOLDING ATTACHMENT FOR ELECTRICAL RECEPTACLE**

[76] Inventor: **Cory Kenney**, P.O. Box 330, Hardin, Mont. 59034

[\*\*] Term: **14 Years**

[21] Appl. No.: **35,257**

[22] Filed: **Feb. 23, 1995**

[52] U.S. Cl. .... **D13/154**

[58] **Field of Search** ..... D13/154; 439/345, 439/371, 373, 527, 528, 529

[56] **References Cited**

**U.S. PATENT DOCUMENTS**

4,566,185 1/1986 Bryan et al. .... 439/371 X

**FOREIGN PATENT DOCUMENTS**

2603981 8/1977 Germany ..... D13/154

*Primary Examiner*—Joel Sincavage  
*Attorney, Agent, or Firm*—H. Jay Spiegel

[57] **CLAIM**

The ornamental design for a cord holding attachment for electrical receptacle, as shown and described.

**DESCRIPTION**

FIG. 1 shows a front view of my claimed design with the rear view being identical.

FIG. 2 shows a further front view of my claimed design with an electrical receptacle cover plate mounted thereover;

FIG. 3 shows a top view of the view of FIG. 2, but with portions of the cord holding attachment folded in overlapping fashion about an electrical conductor; and,

FIG. 4 shows a front view of the design as shown in FIG. 3. The broken line showing is included for the purpose of illustrating environmental structure only and forms no part of the claimed design.

**1 Claim, 2 Drawing Sheets**

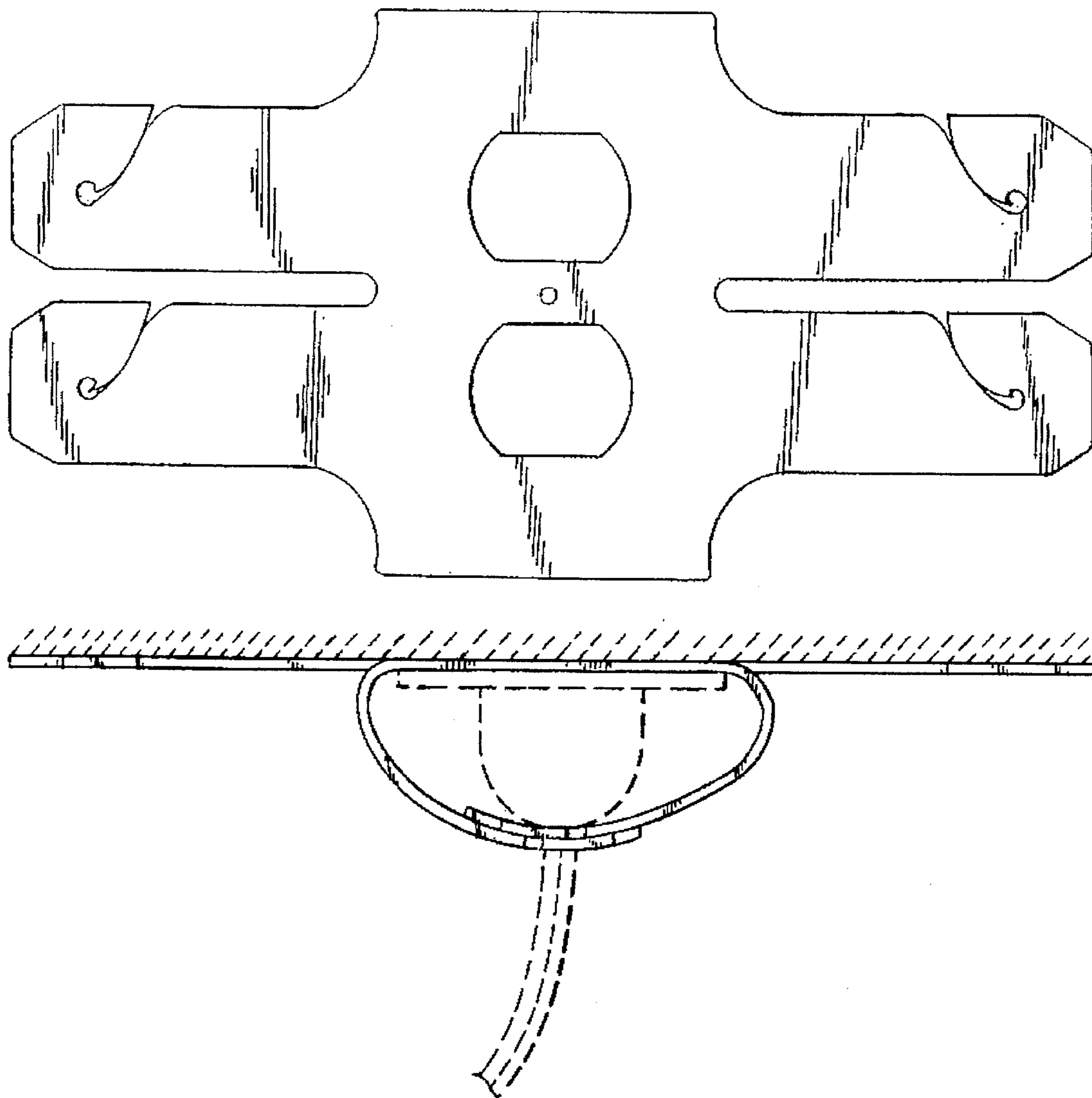


FIG. 1

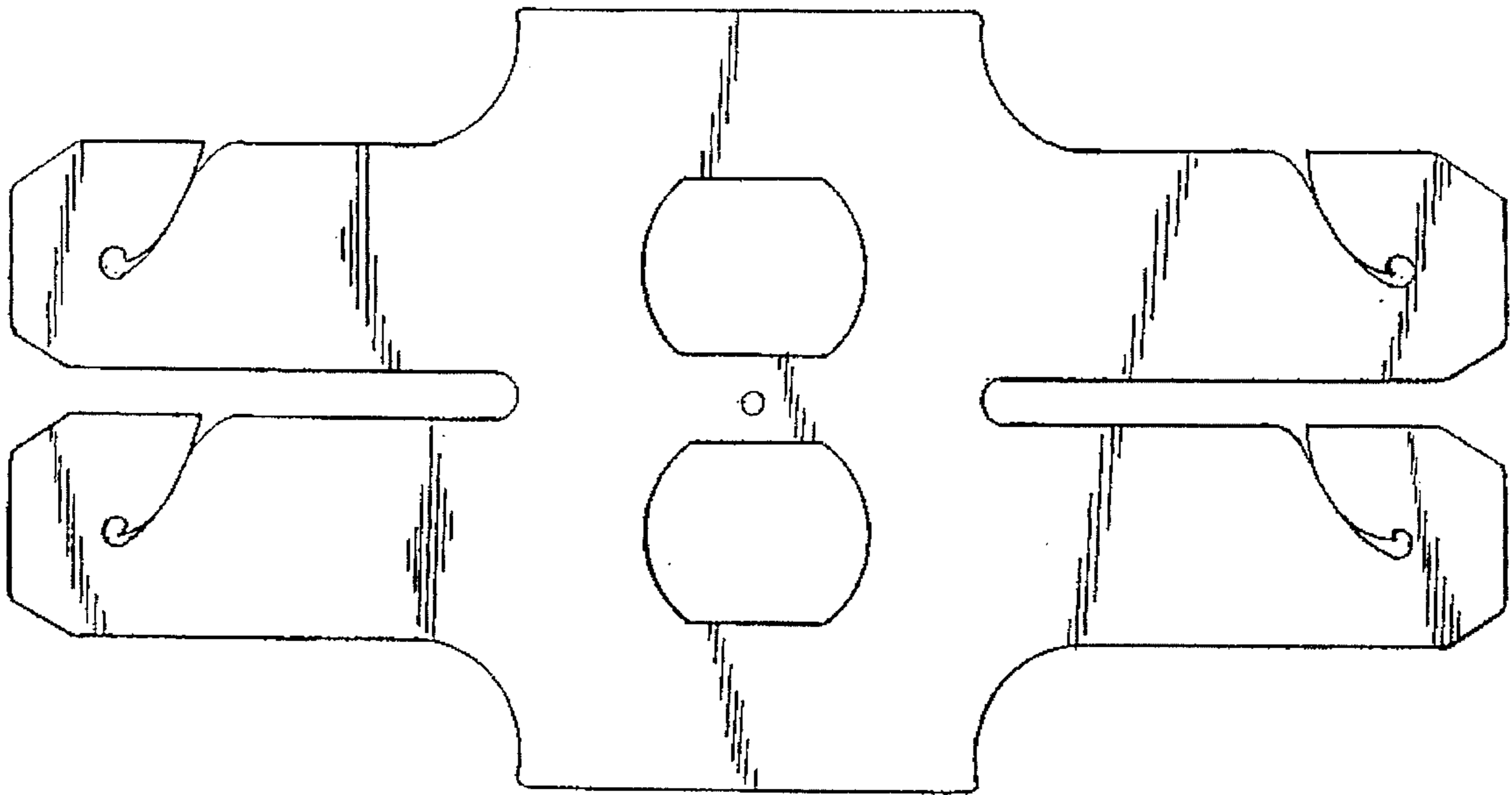


FIG. 2

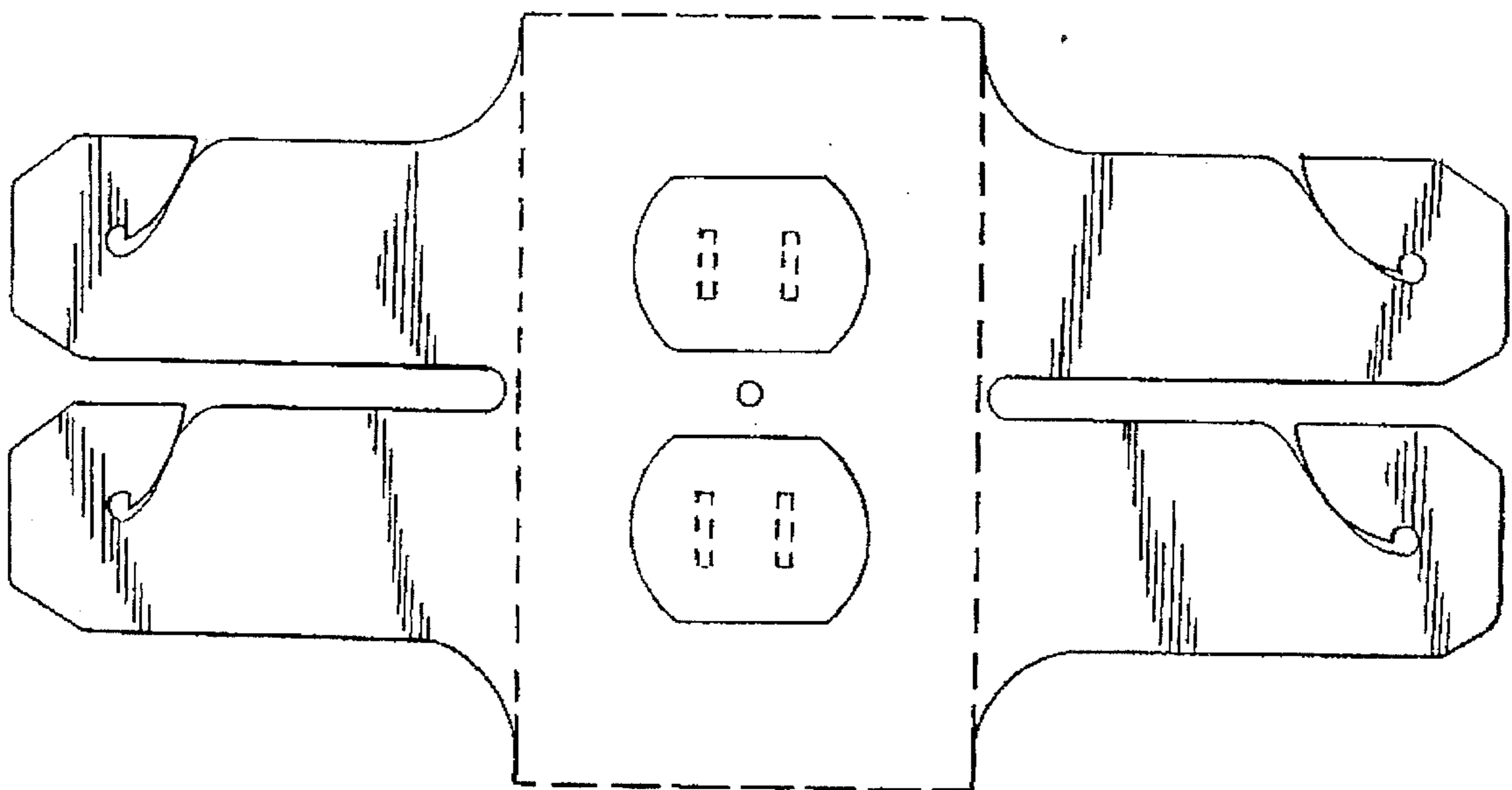


FIG. 3

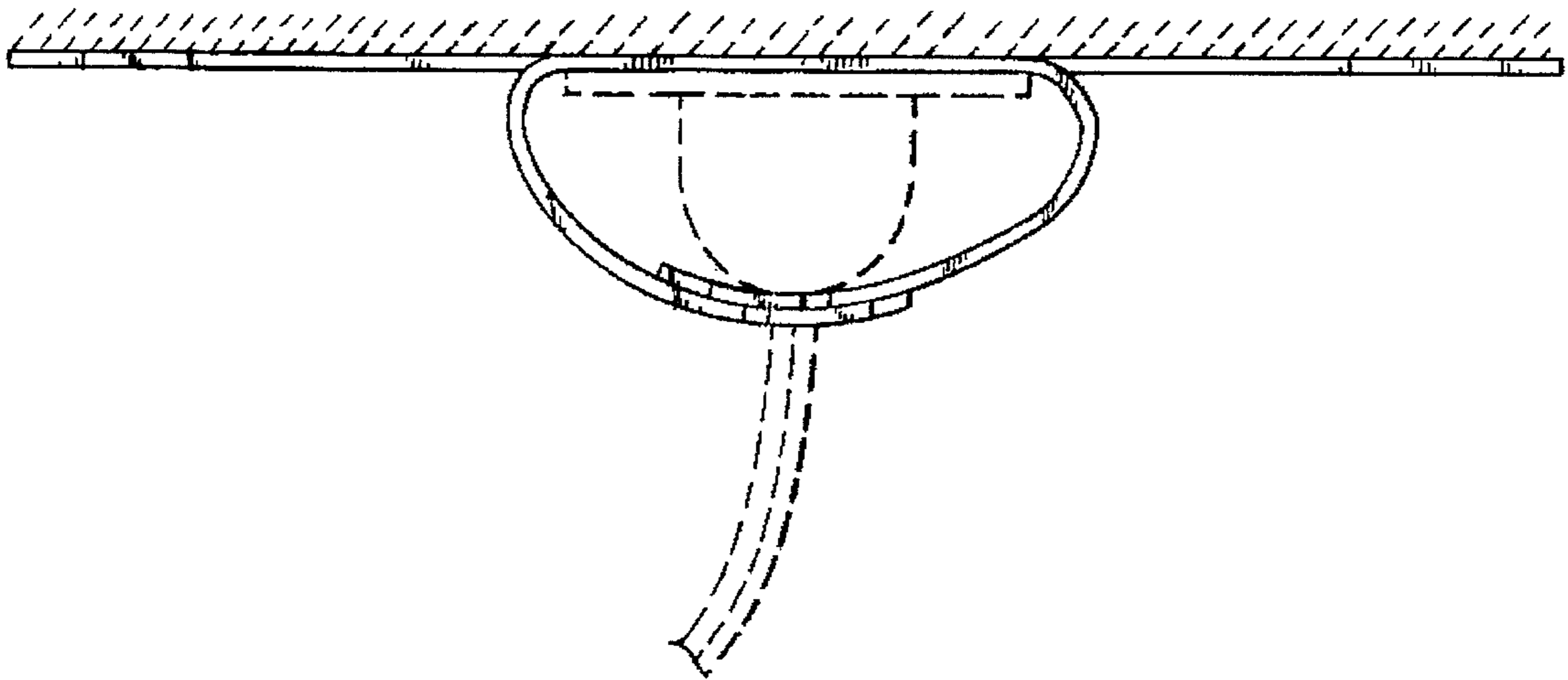


FIG. 4

