



US00D372459S

United States Patent [19]

[11] Patent Number: **Des. 372,459**

Tiberio, Jr. et al.

[45] Date of Patent: ****Aug. 6, 1996**

[54] **SEMI-FLUSH, MOUNTABLE ELECTRICAL CONNECTOR HOUSING**

[75] Inventors: **Patrick J. Tiberio, Jr.**, Huntington;
Thomas R. Swift, Monroe, both of Conn.

[73] Assignee: **Hubbell Incorporated**, Orange, Conn.

[**] Term: **14 Years**

[21] Appl. No.: **38,934**

[22] Filed: **May 17, 1995**

[52] U.S. Cl. **D13/146; D13/154**

[58] **Field of Search** D13/146, 156,
D13/177; D8/353; 439/144, 324, 333, 337,
373, 536, 538, 671, 673, 680; 220/3.3,
3.4, 3.5; 174/53, 55, 66

[56] **References Cited**

U.S. PATENT DOCUMENTS

3,136,592	6/1964	Miller	439/680 X
3,140,344	7/1964	Slater et al.	174/67
3,716,815	2/1973	Riches	339/44 M
3,950,059	4/1976	Anhalt et al.	339/75 M
4,031,312	6/1977	Coleman et al.	174/52 R
4,197,959	4/1980	Kramer	220/242
4,381,063	4/1983	Leong	200/242
4,784,610	11/1988	Stuart	439/144
4,824,402	4/1989	Sorimachi	439/680
5,035,646	7/1991	Ehrenfels et al.	439/536
5,395,246	3/1995	Punako et al.	439/680
5,449,302	9/1995	Yarbrough et al.	439/680

OTHER PUBLICATIONS

Killark Catalog, Electrical Construction Products, 1994, Section 4, pp. 1-16.
Hubbell Catalog, Wiring Device & Systems, Kellems Wire Management Marine Wiring Products, 1995, Section D, pp. D24-D28, Section E, pp. E1-E-and Section M, pp. M1-M25.

Primary Examiner—Joel Sincavage

Attorney, Agent, or Firm—Jerry M. Presson; David L. Tarnoff

[57] **CLAIM**

The ornamental design for a semi-flush, mountable electrical connector housing, as shown and described.

DESCRIPTION

FIG. 1 is a perspective view of a semi-flush, mountable electrical connector housing according to our new design;

FIG. 2 is a front elevational view of the semi-flush, mountable electrical connector housing of our new design shown in FIG. 1;

FIG. 3 is a top plan view of the semi-flush, mountable electrical connector housing of our new design shown in FIGS. 1 and 2;

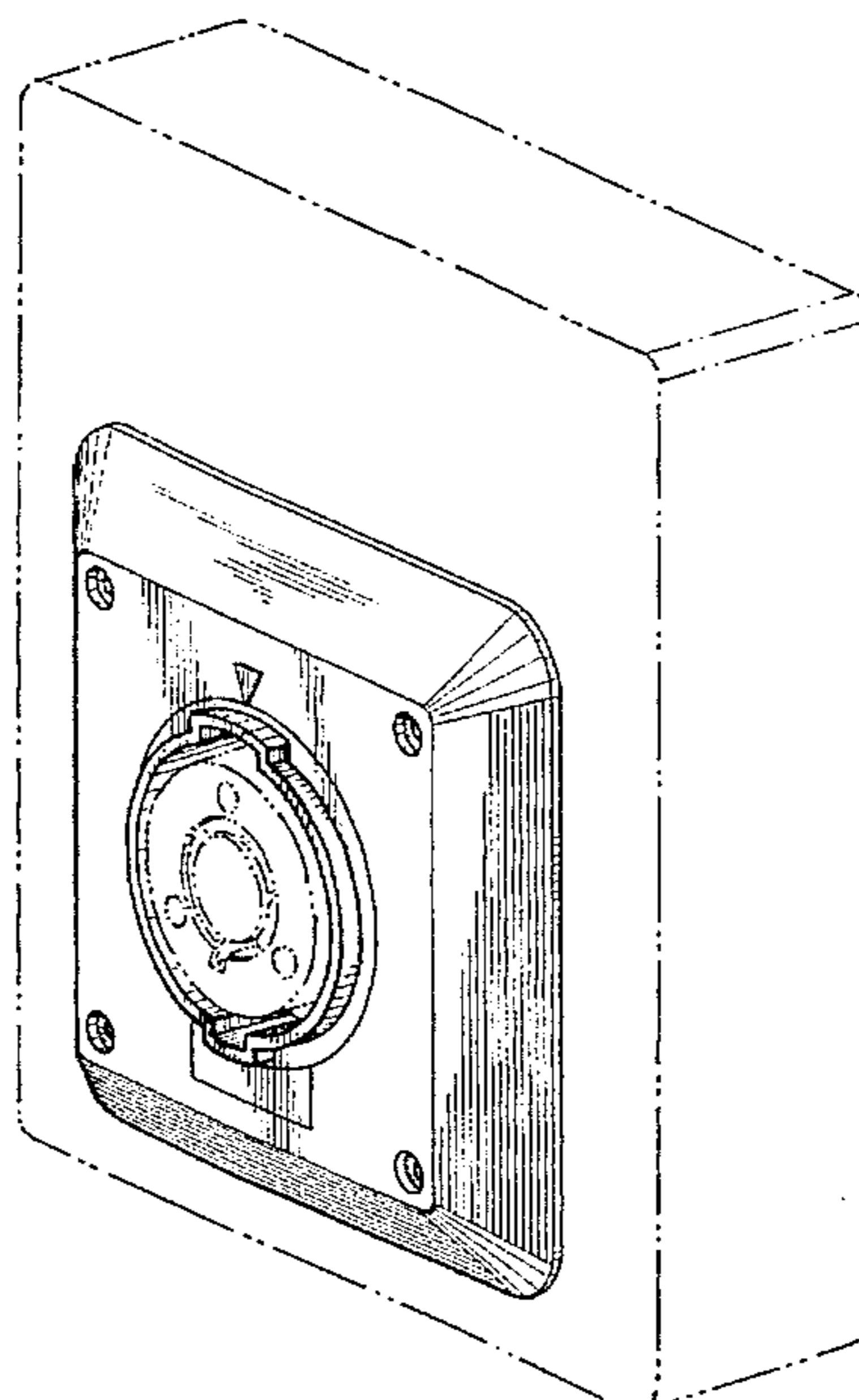
FIG. 4 is a bottom plan view of the semi-flush, mountable electrical connector housing of our new design shown in FIGS. 1-3;

FIG. 5 is a left side elevational view of the semi-flush, mountable electrical connector housing of our new design shown in FIGS. 1-4; and,

FIG. 6 is a right side elevational view of the semi-flush, mountable electrical connector housing of our new design shown in FIGS. 1-5.

The broken line showing of environment in FIGS. 1 and 3-6 is for illustrative purposes only and forms no part of the claimed design. The semi-flush, mountable electrical connector of the claimed design can be either an inlet (male connector) or a receptable (female connector).

1 Claim, 3 Drawing Sheets



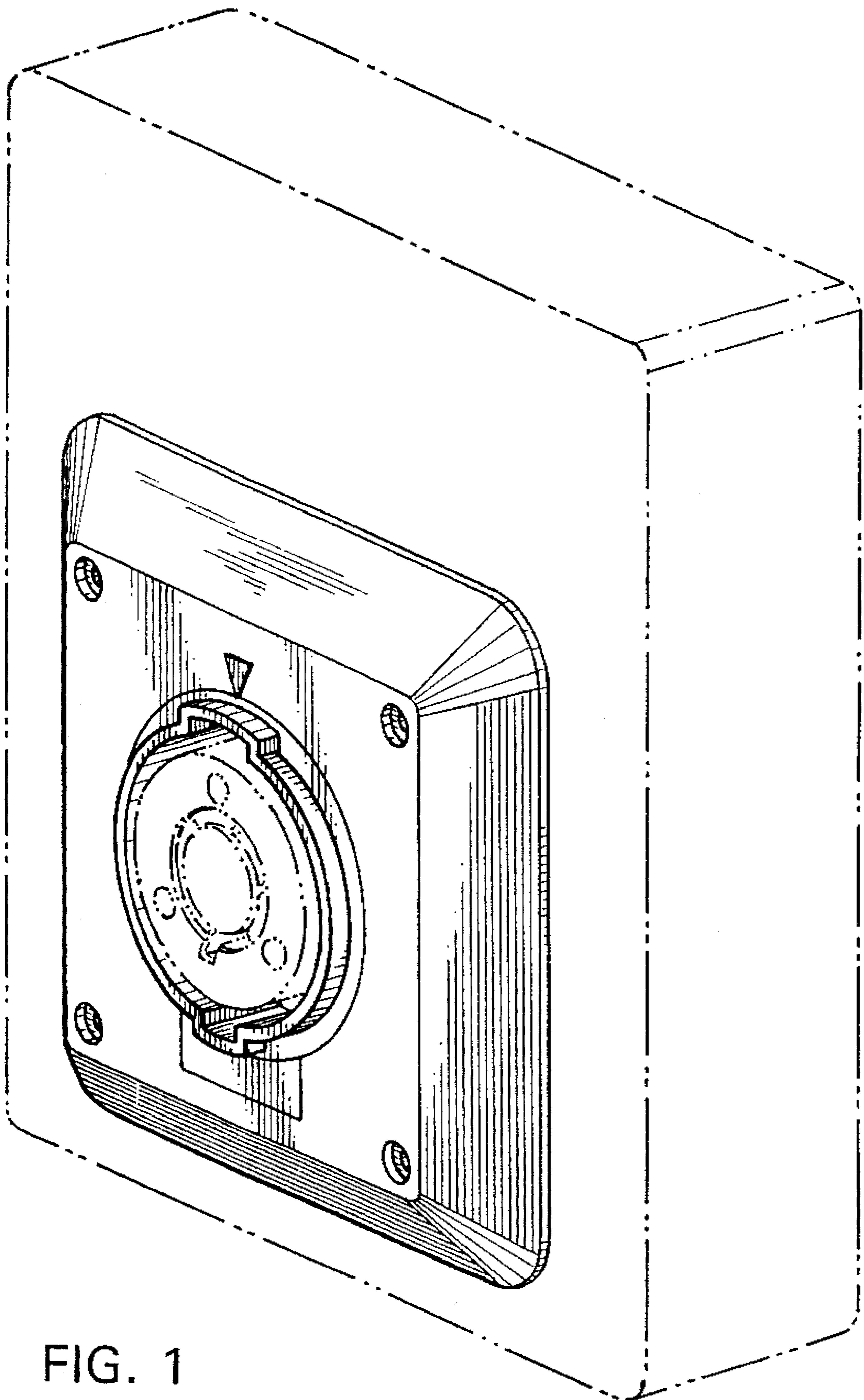


FIG. 1

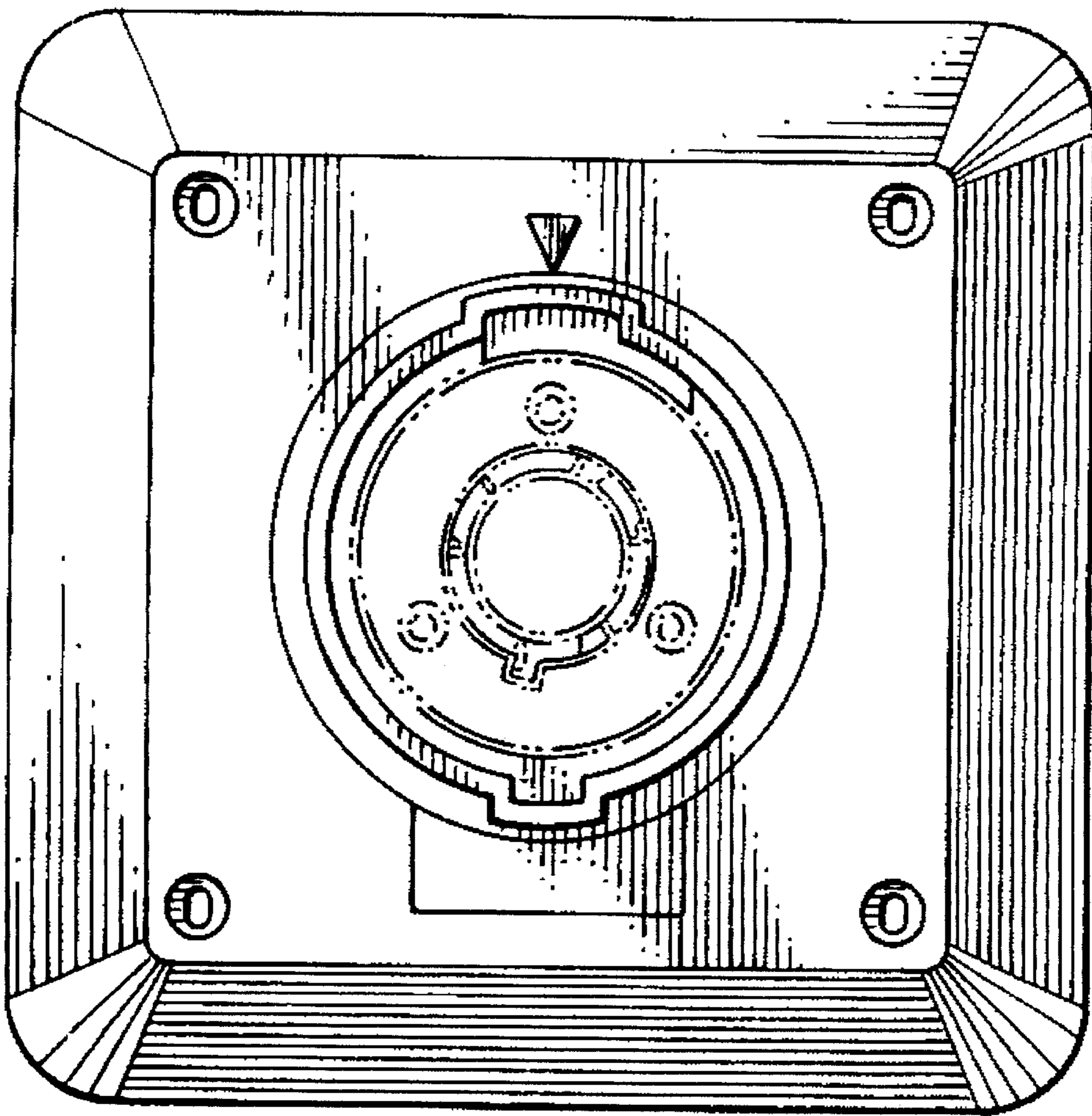


FIG. 2

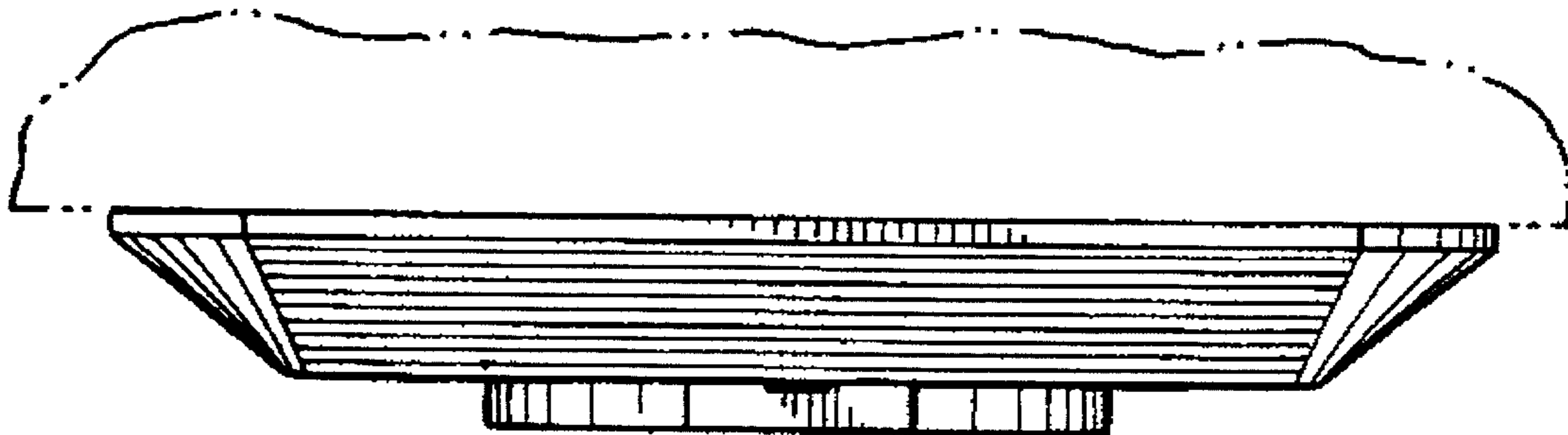


FIG. 3

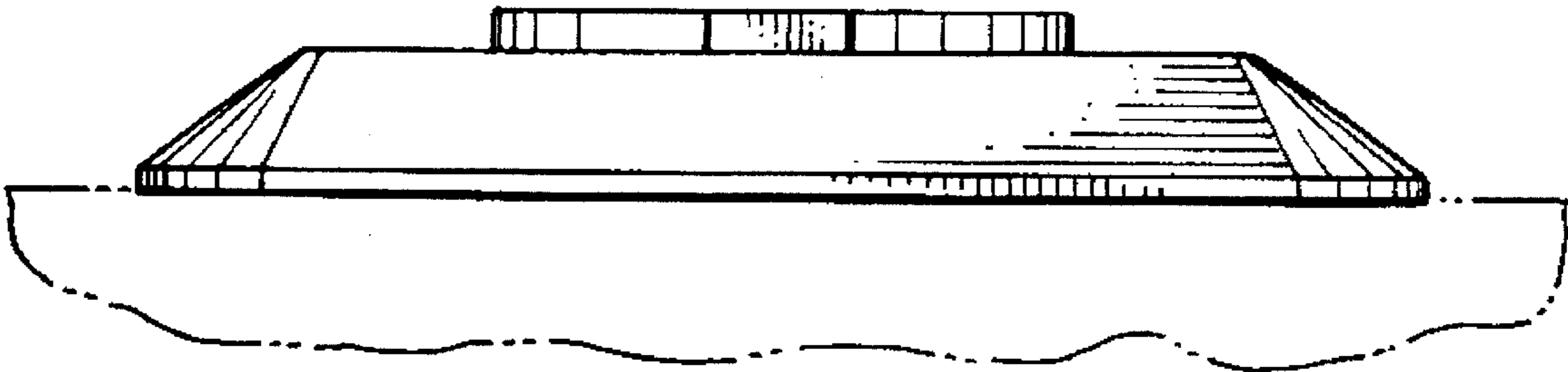


FIG. 4

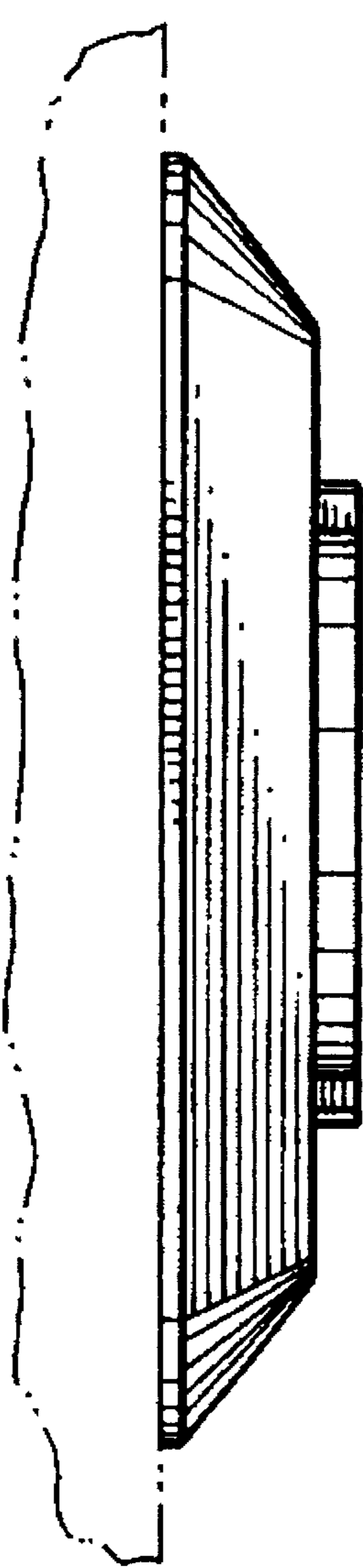


FIG. 5

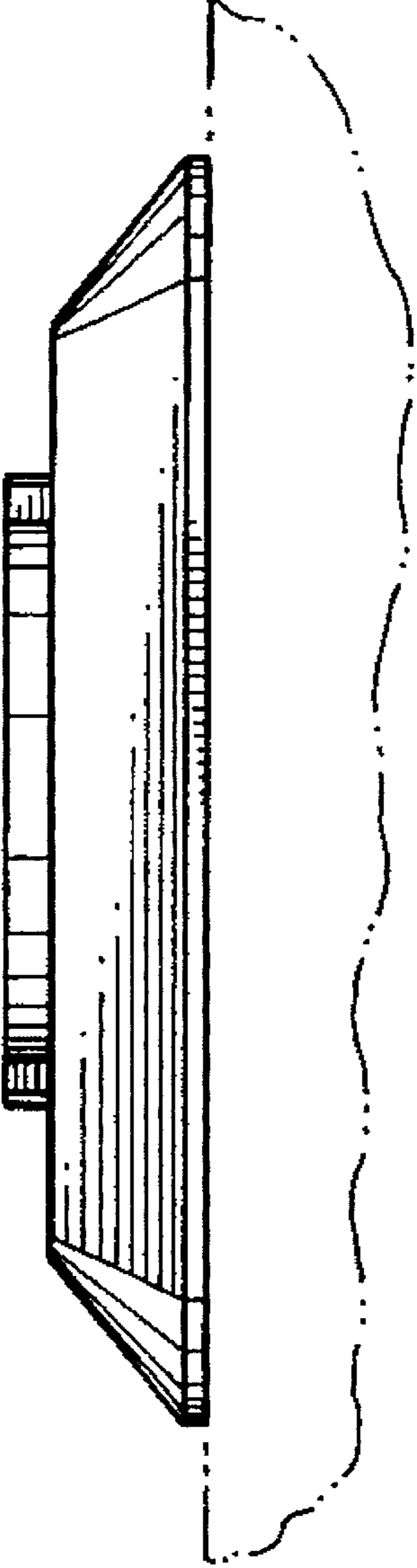


FIG. 6