



US00D372458S

United States Patent [19]
Hedrick

[11] **Patent Number: Des. 372,458**

[45] **Date of Patent: **Aug. 6, 1996**

[54] **ELECTRICAL PLUG BODY**

[75] Inventor: **Paul A. Hedrick**, West Greenwich, R.I.

[73] Assignee: **General Cable Industries, Inc.**,
Highland Heights, Ky.

[**] Term: **14 Years**

[21] Appl. No.: **11,723**

[22] Filed: **Aug. 13, 1993**

[52] U.S. Cl. **D13/138**

[58] **Field of Search** D13/137, 139,
D13/138, 141; 439/483, 484, 449, 474,
606, 692, 694

[56] **References Cited**

U.S. PATENT DOCUMENTS

| | | | | |
|------------|---------|-------------|-------|-----------|
| D. 94,143 | 12/1934 | Hill | | D13/139 |
| D. 287,123 | 12/1986 | Ross et al. | | D13/141 |
| D. 301,712 | 6/1989 | Israel | | D13/133 |
| D. 330,009 | 10/1992 | Dickie | | D13/143 X |
| 2,027,447 | 1/1936 | Percy | | 439/694 |
| 3,034,083 | 5/1962 | Traher | | 439/107 X |

Primary Examiner—Joel Sincavage
Attorney, Agent, or Firm—Frost & Jacobs

[57] **CLAIM**

The ornamental design for an electrical plug body, as shown and described.

DESCRIPTION

FIG. 1 is a perspective view of the instant electrical plug body. The broken line showing of a pair of electrical plug blades is included for the purpose of illustrating environmental structure only and forms no part of the claimed design;

FIG. 2 is a front view thereof;

FIG. 3 is a rear view thereof;

FIG. 4 is a bottom view thereof;

FIG. 5 is a top view thereof;

FIG. 6 is a left side view thereof;

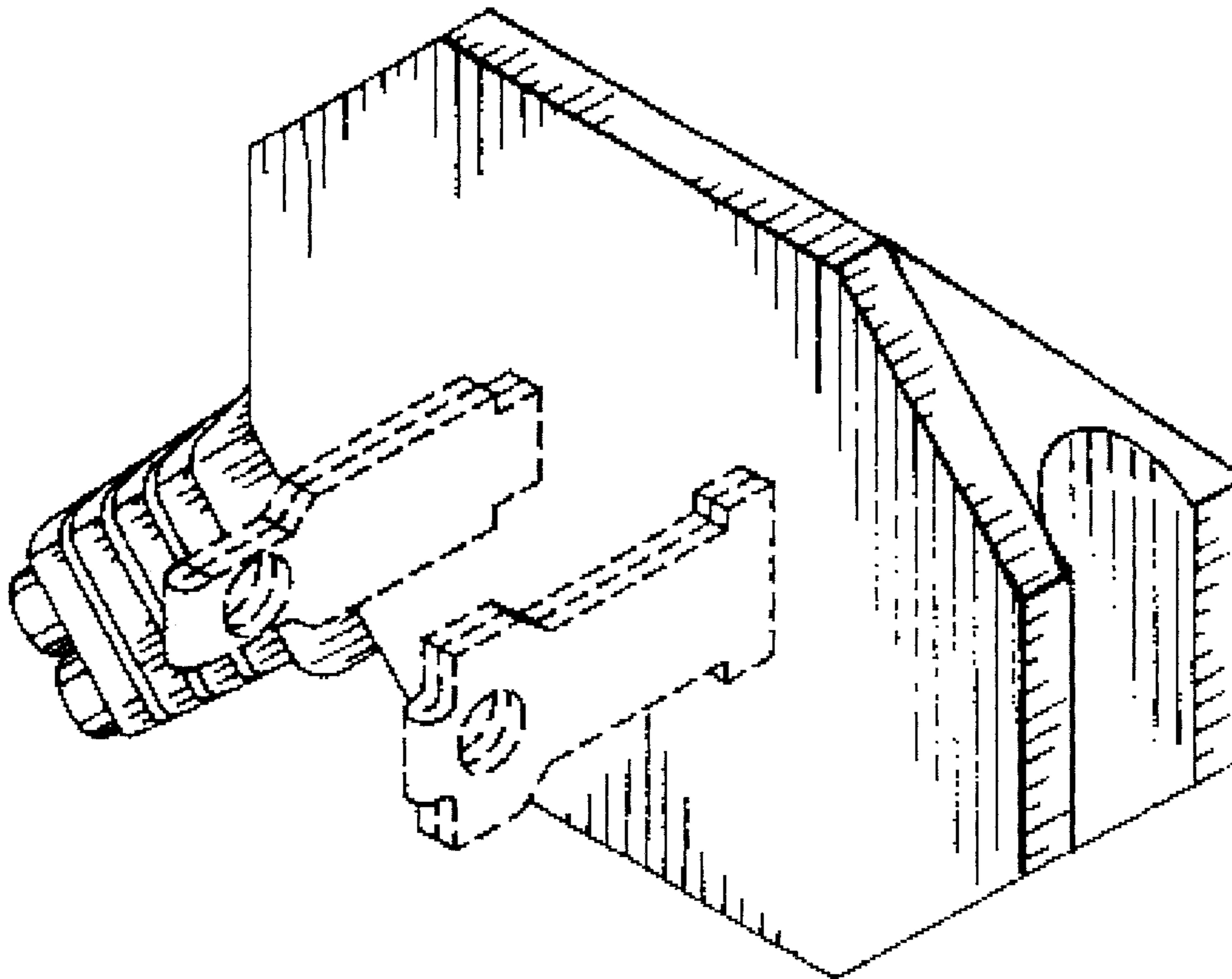
FIG. 7 is a right side view thereof;

FIG. 8 is a front and upper right perspective view thereof;

and,

FIG. 9 is a front and lower left perspective view thereof.

1 Claim, 2 Drawing Sheets



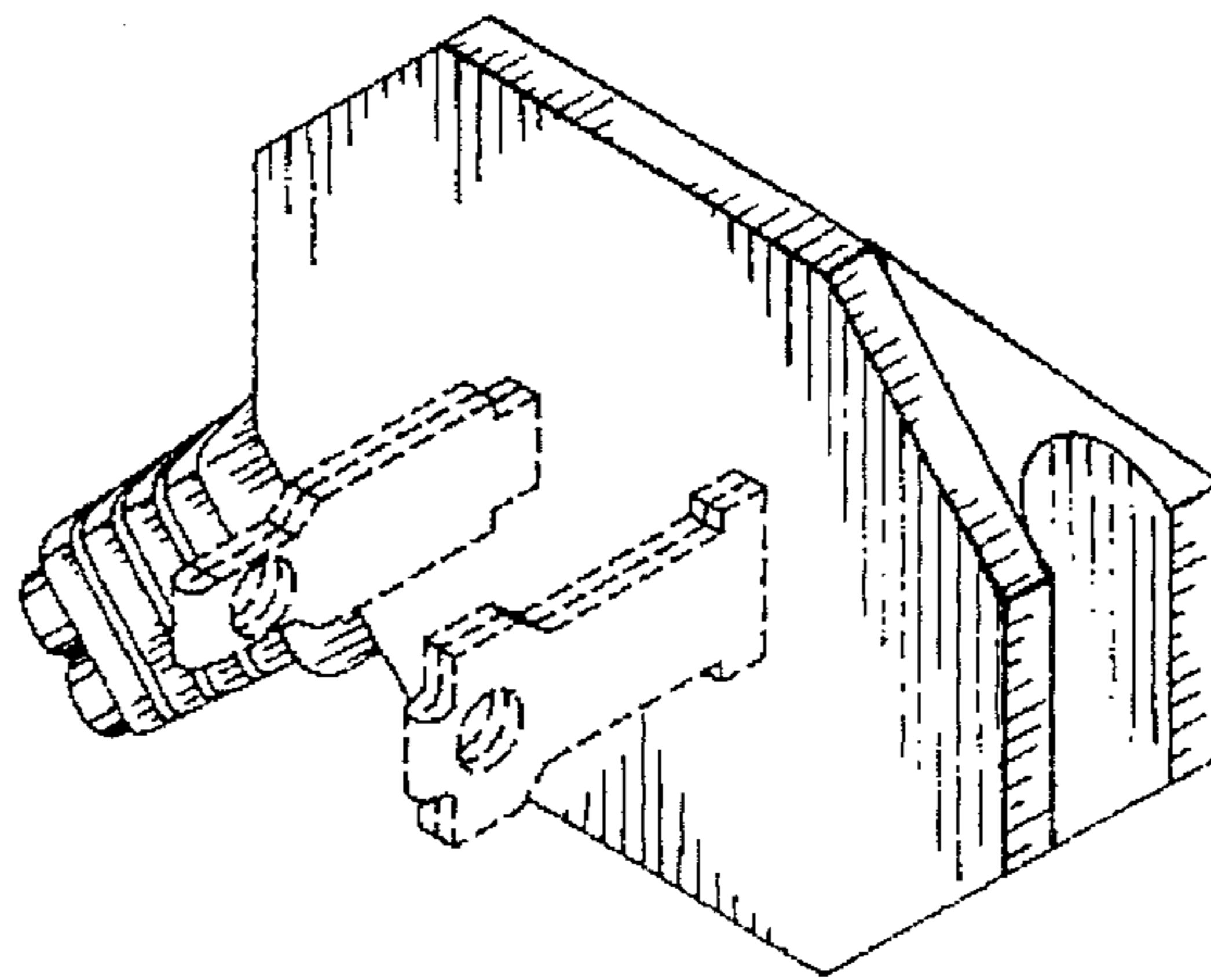


FIG. 1

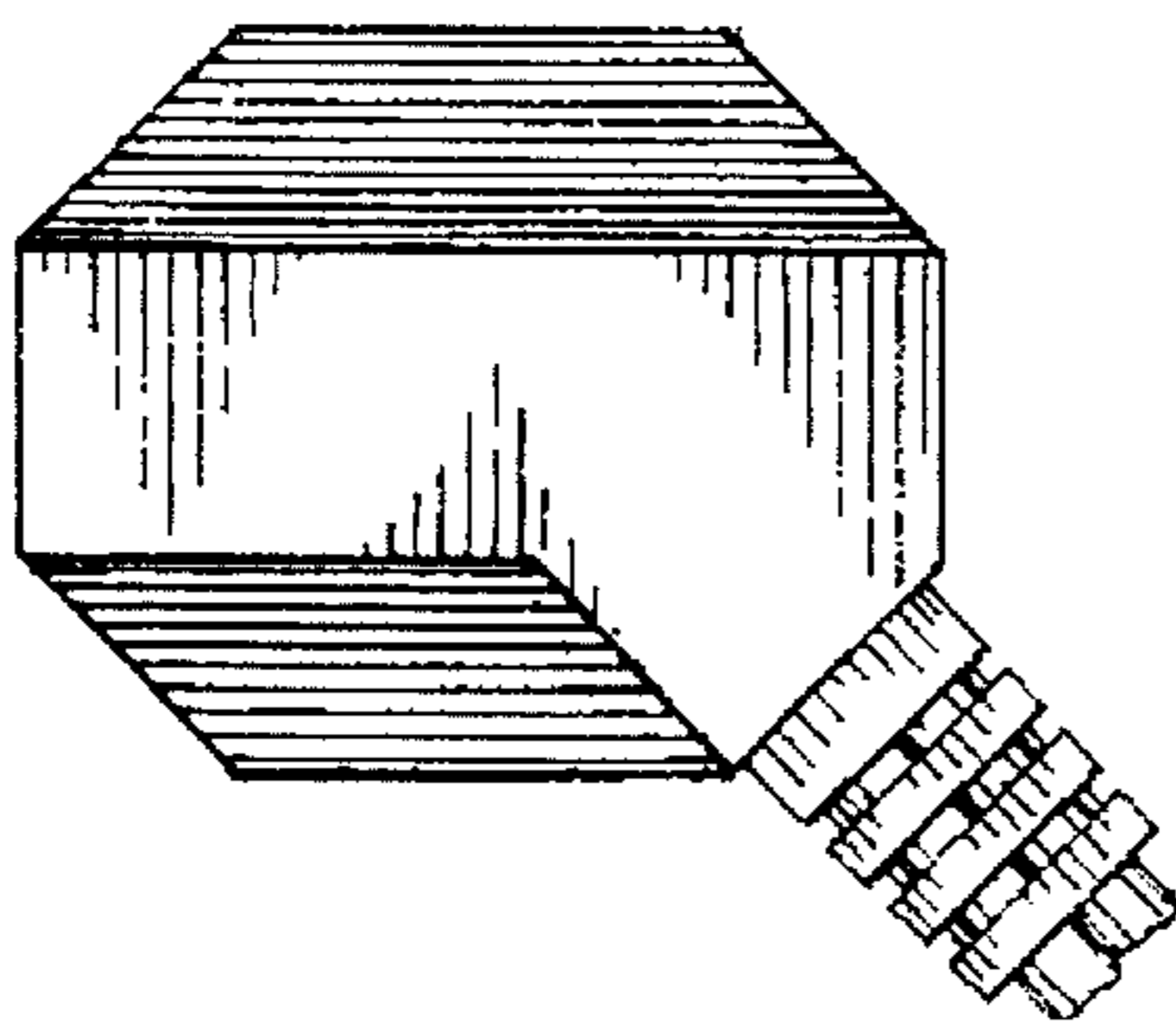


FIG. 2

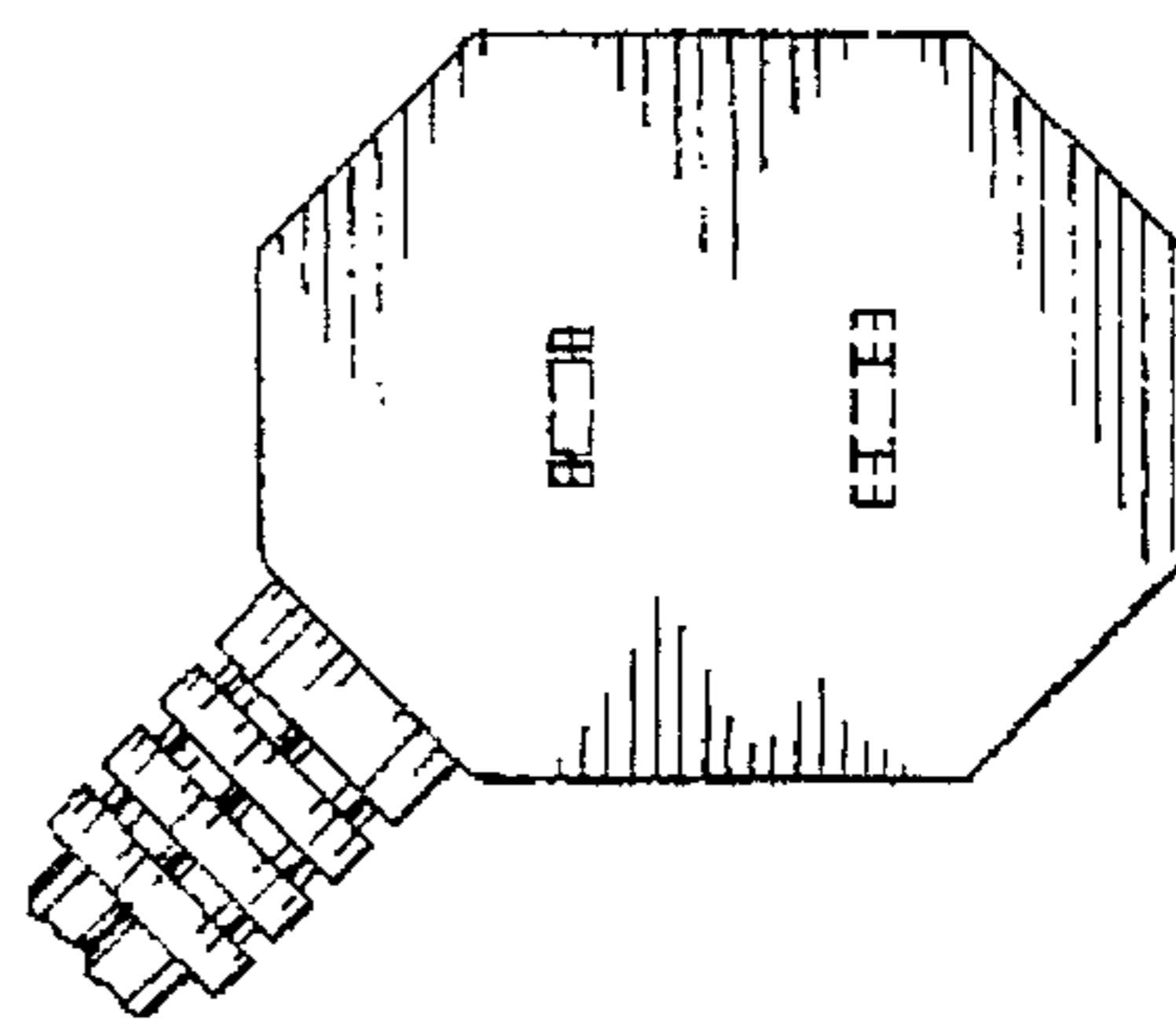


FIG. 3

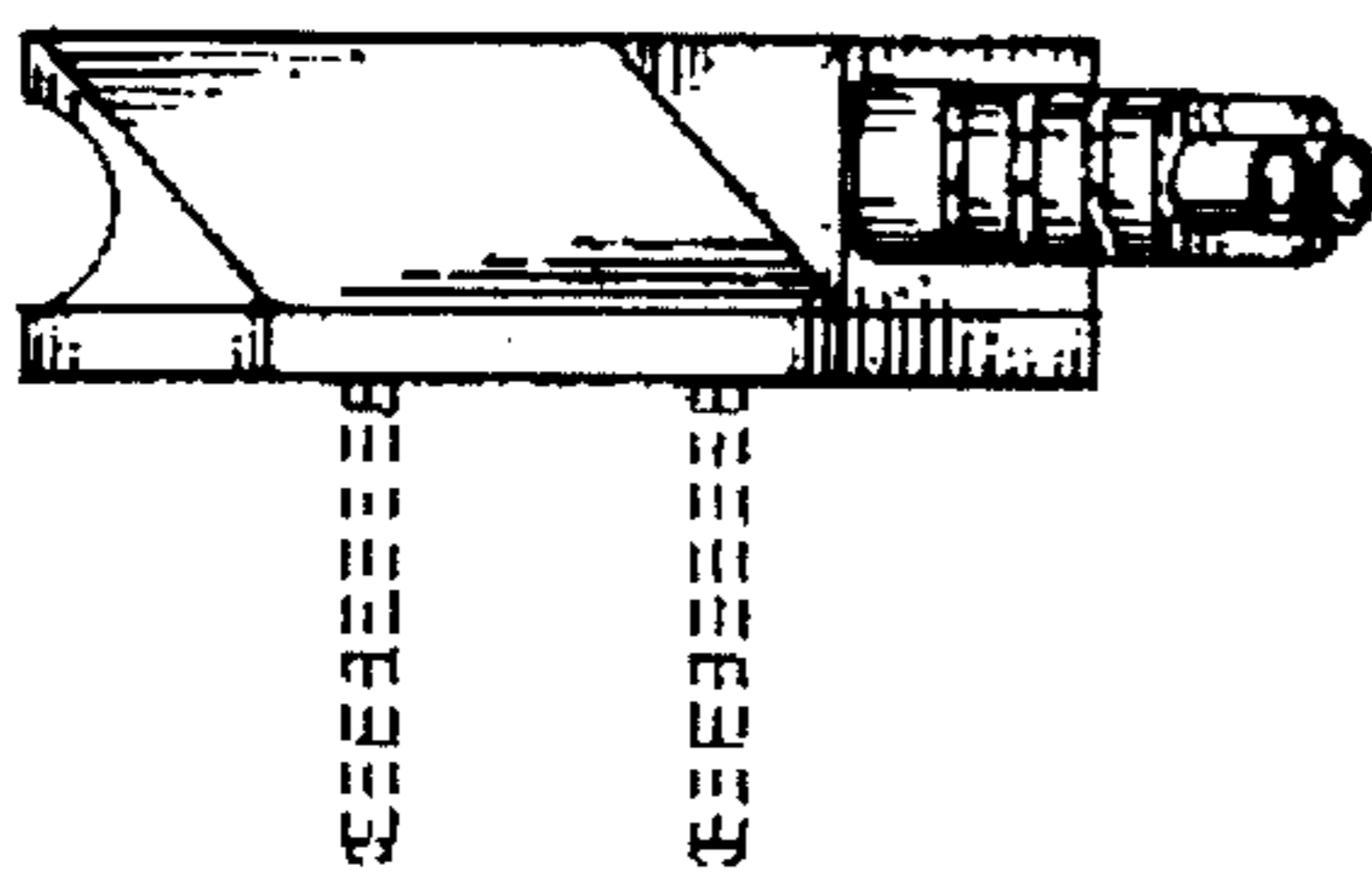


FIG. 4

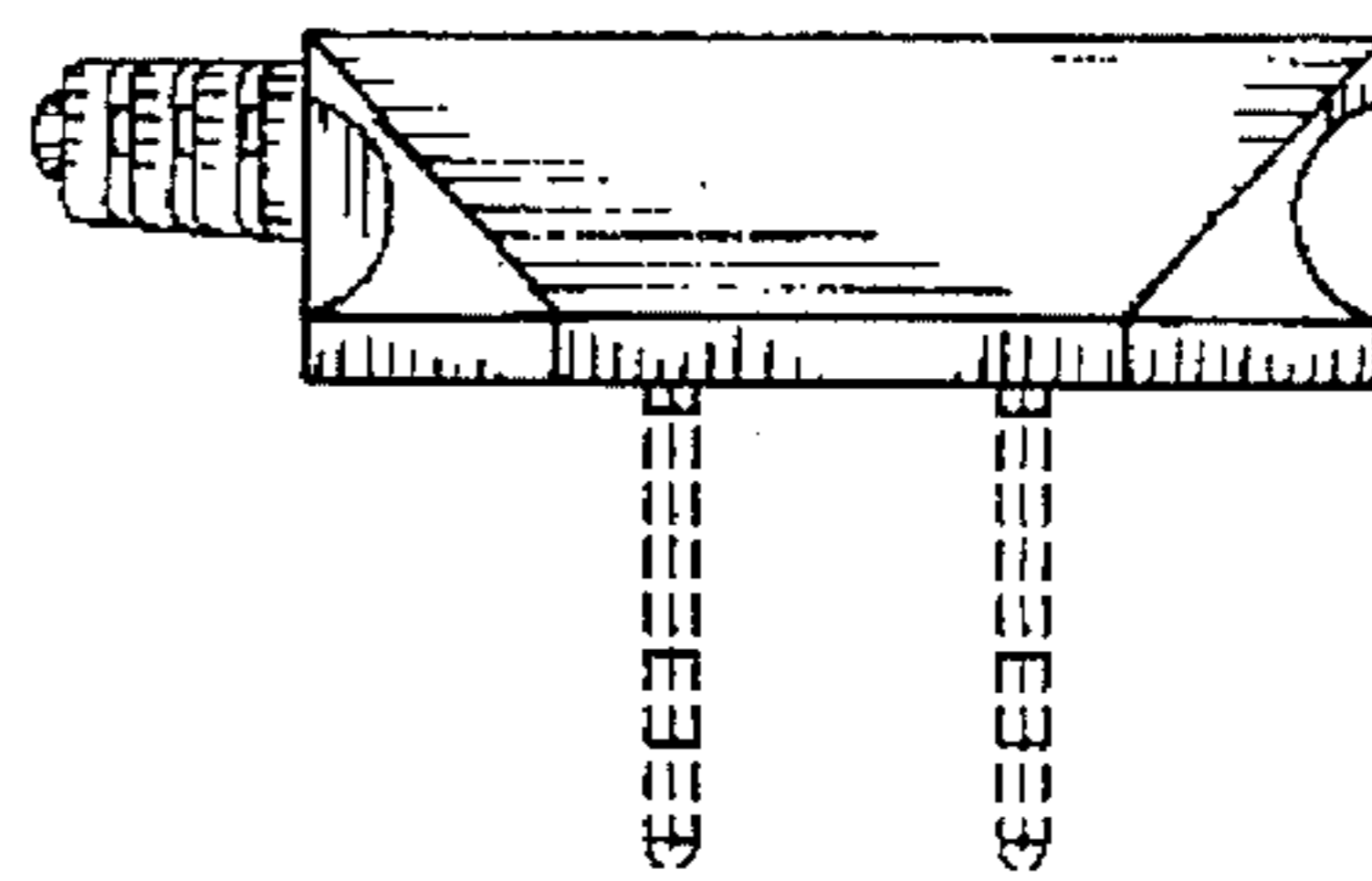


FIG. 5

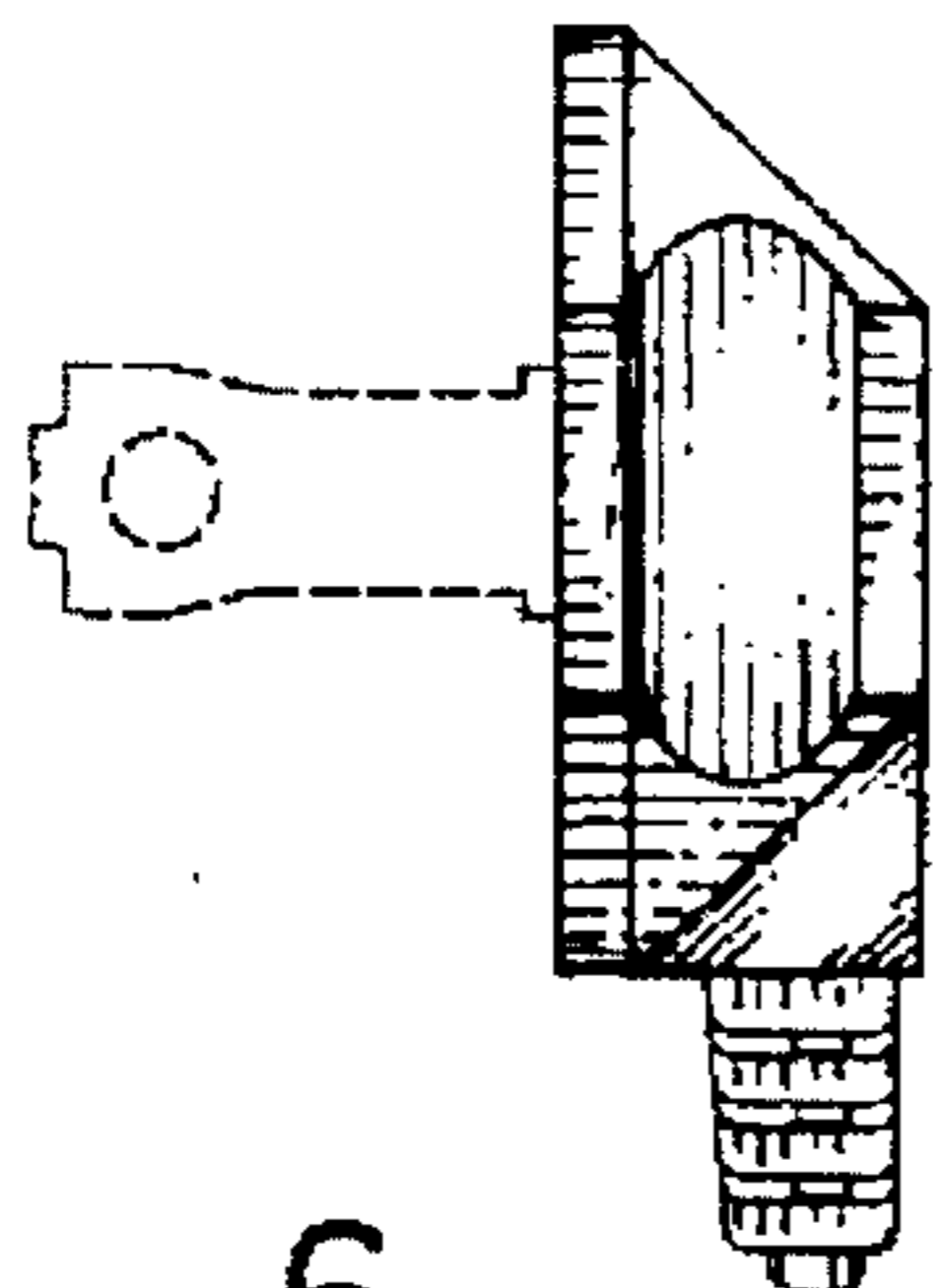


FIG. 6

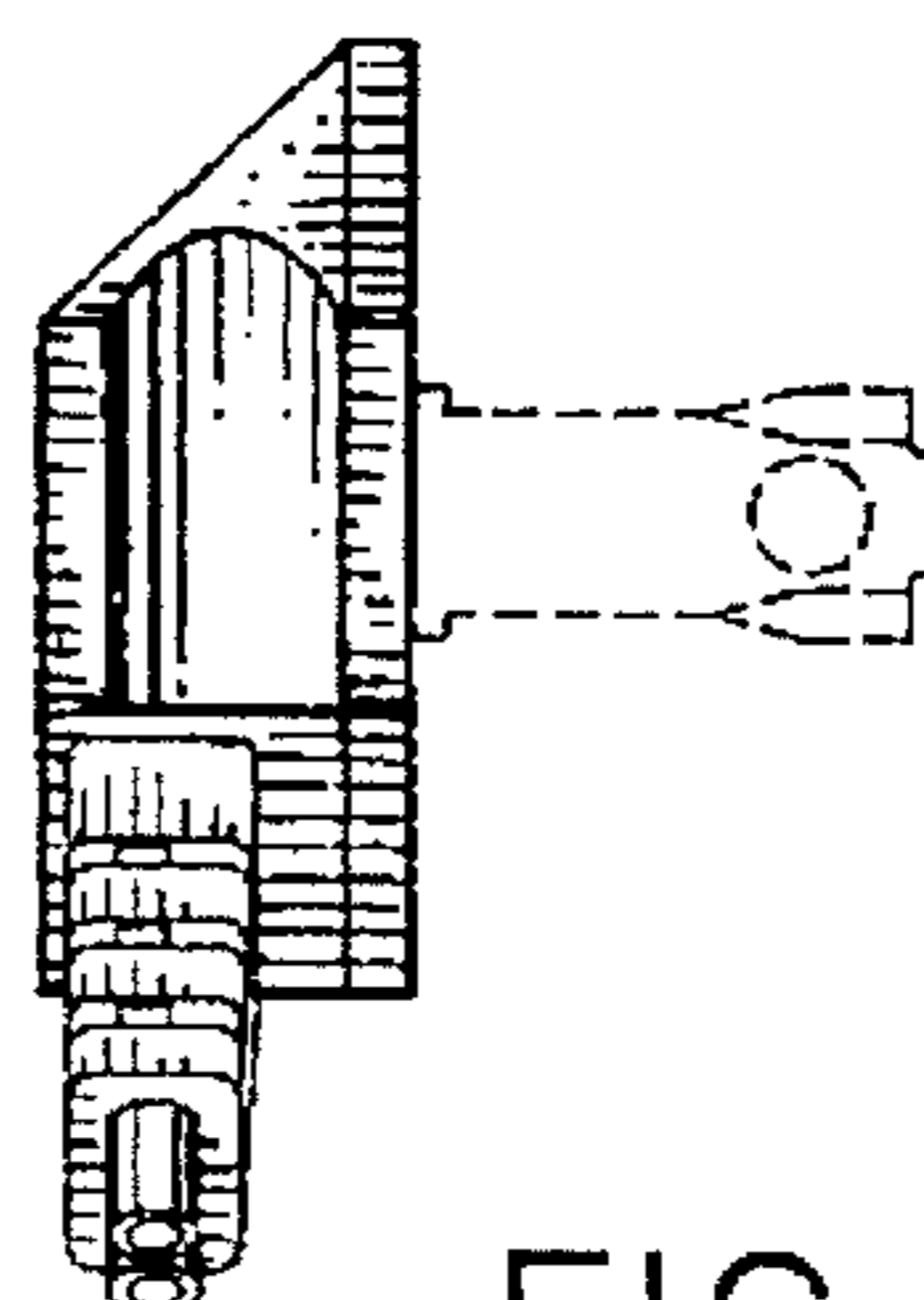


FIG. 7

FIG. 8

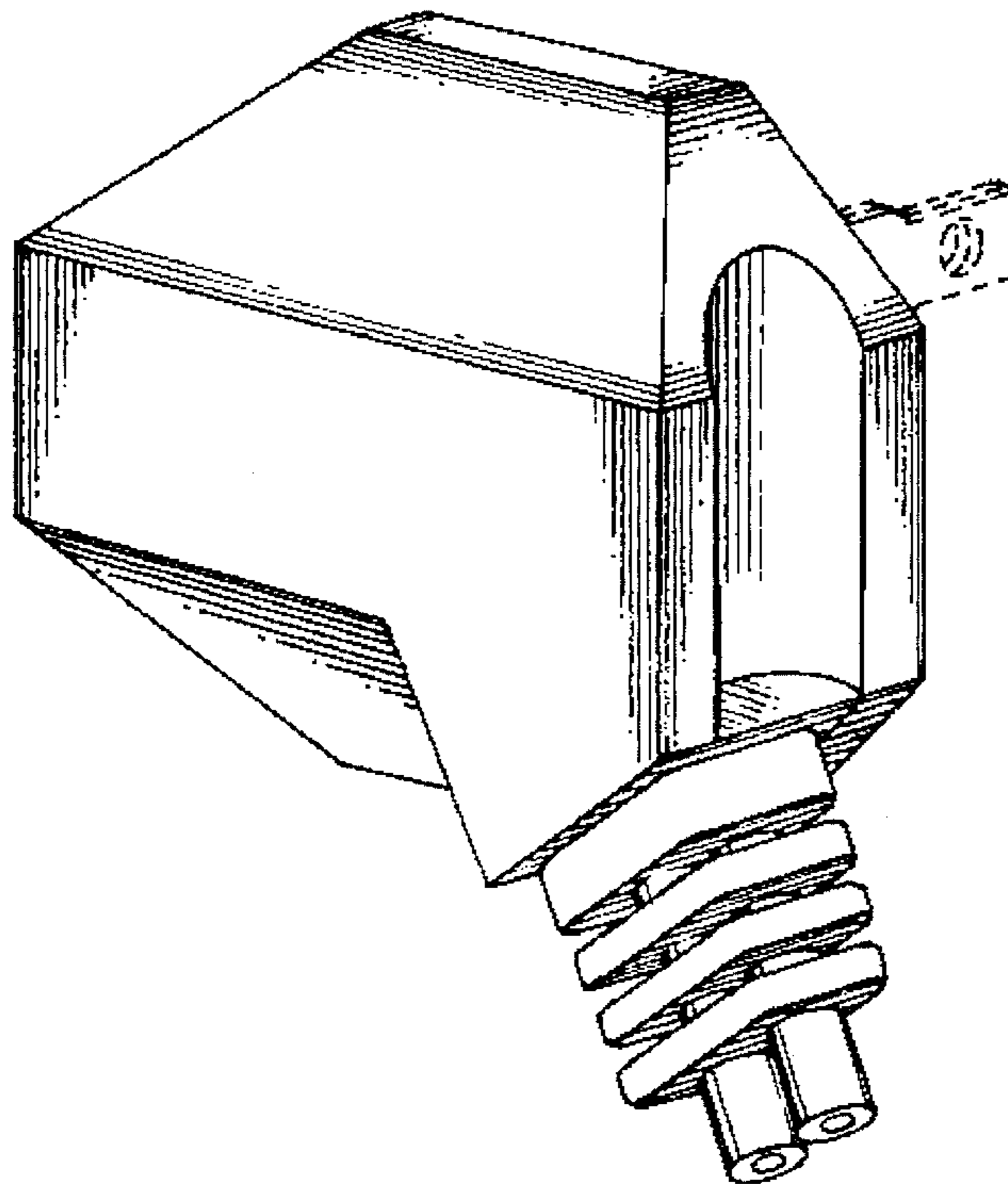


FIG. 9

