



US00D372457S

United States Patent [19]

Okuyama et al.

[11] Patent Number: **Des. 372,457**

[45] Date of Patent: ****Aug. 6, 1996**

[54] VIBRATING MOTOR

[75] Inventors: **Toshihide Okuyama; Masahiro Kaneko**, both of Sayama, Japan

[73] Assignee: **Sayama Precision Industries Co., Ltd.**, Saitama, Japan

[**] Term: **14 Years**

[21] Appl. No.: **27,393**

[22] Filed: **Aug. 19, 1994**

[30] Foreign Application Priority Data

Feb. 21, 1994	[JP]	Japan	6-4283
Jul. 18, 1994	[JP]	Japan	6-21432

[52] U.S. Cl. **D13/112**

[58] Field of Search D13/114, 112;
310/15, 27, 29

[56] References Cited

U.S. PATENT DOCUMENTS

D. 304,322	10/1989	Meier	D13/114
3,555,313	1/1971	Selden	310/29
4,163,911	8/1979	Simes et al.	310/27

Primary Examiner—Joel Sincavage
Attorney, Agent, or Firm—Koda and Androlia

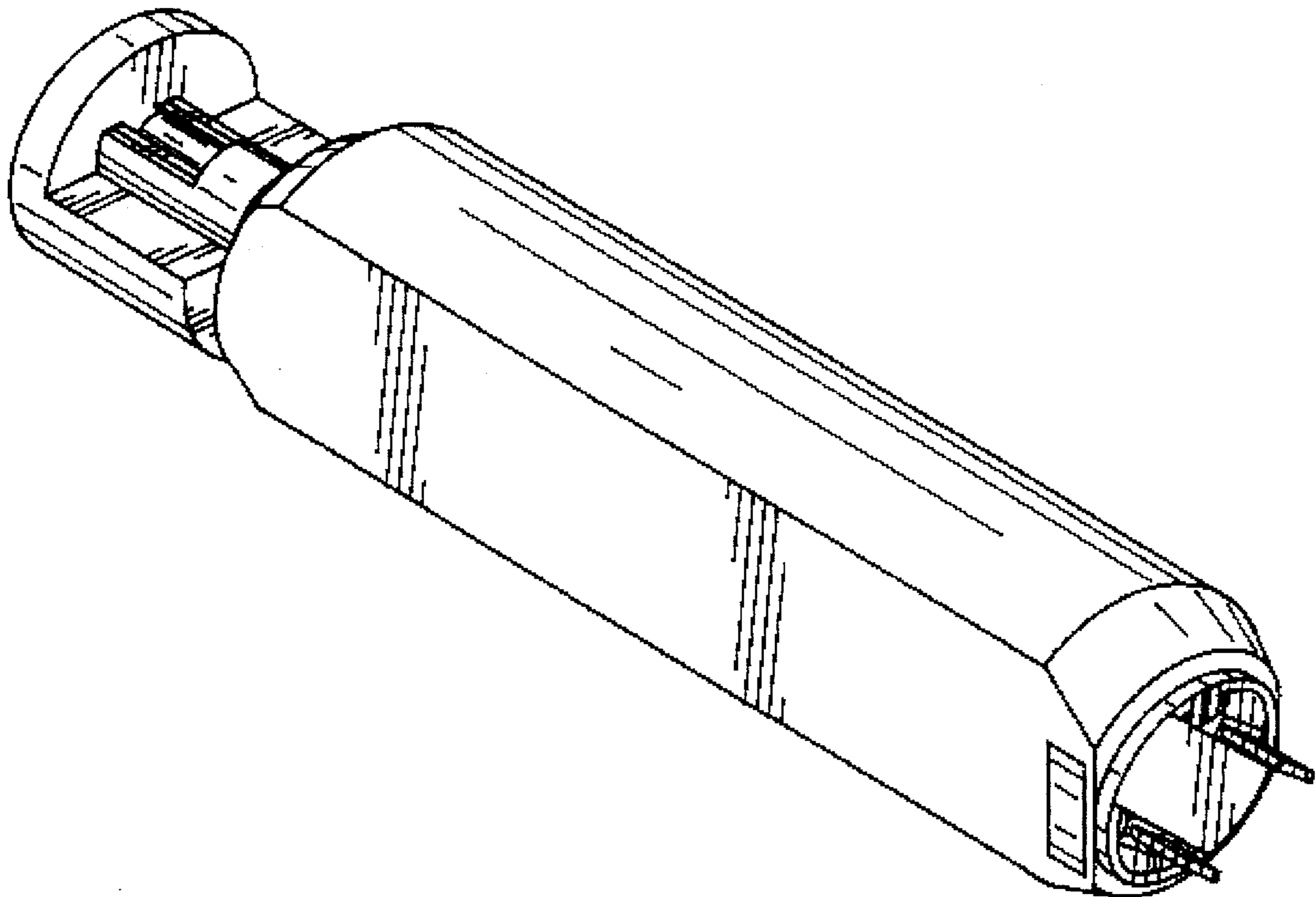
[57] CLAIM

The ornamental design for a vibrating motor, as shown and described.

DESCRIPTION

FIG. 1 is a top plan view of a first embodiment of the vibrating motor showing our new design;
 FIG. 2 is a front elevational view thereof, the rear elevational view being the mirror image of the front elevational view;
 FIG. 3 is a bottom plan view thereof;
 FIG. 4 is a right side elevational view thereof;
 FIG. 5 is a left side elevational view thereof;
 FIG. 6 is a top plan view of a second embodiment of the vibrating motor showing our new design;
 FIG. 7 is a front elevational view thereof, the rear elevational view being the mirror image of the front elevational view;
 FIG. 8 is a bottom plan view thereof;
 FIG. 9 is a left side elevational view thereof, the right side view of the second embodiment is the same as of the first embodiment;
 FIG. 10 is a perspective view of the first embodiment as viewed from the front and upper right;
 FIG. 11 is a perspective view of the second embodiment as viewed from the front and upper right; and,
 FIG. 12 is a perspective view of the second embodiment as viewed from the front and upper left.

1 Claim, 5 Drawing Sheets



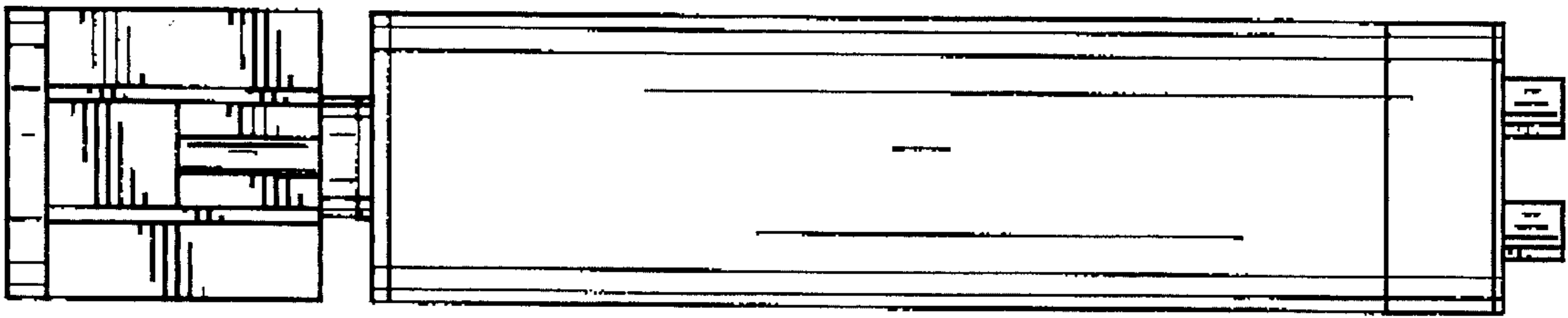


FIG. 1

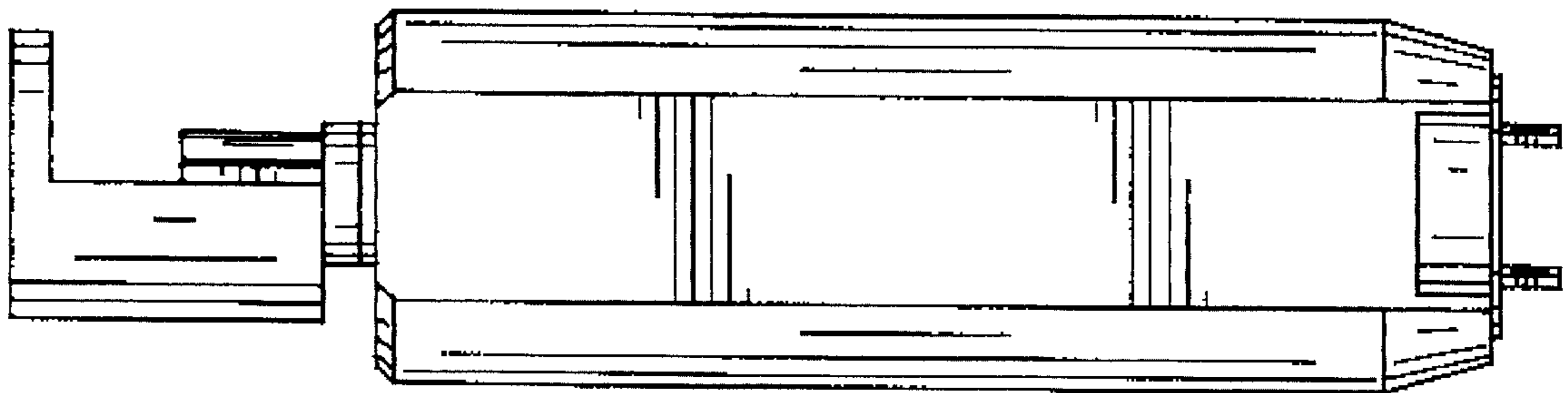


FIG. 2

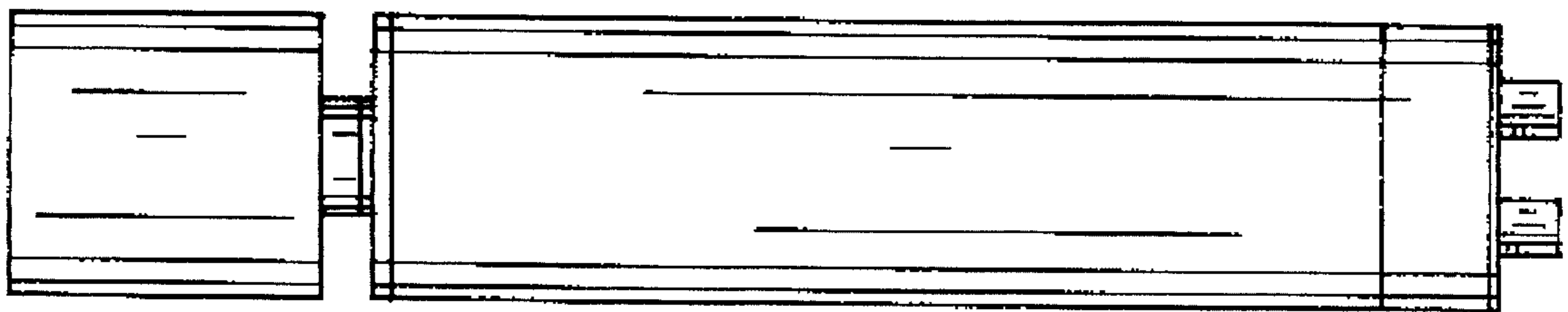


FIG. 3

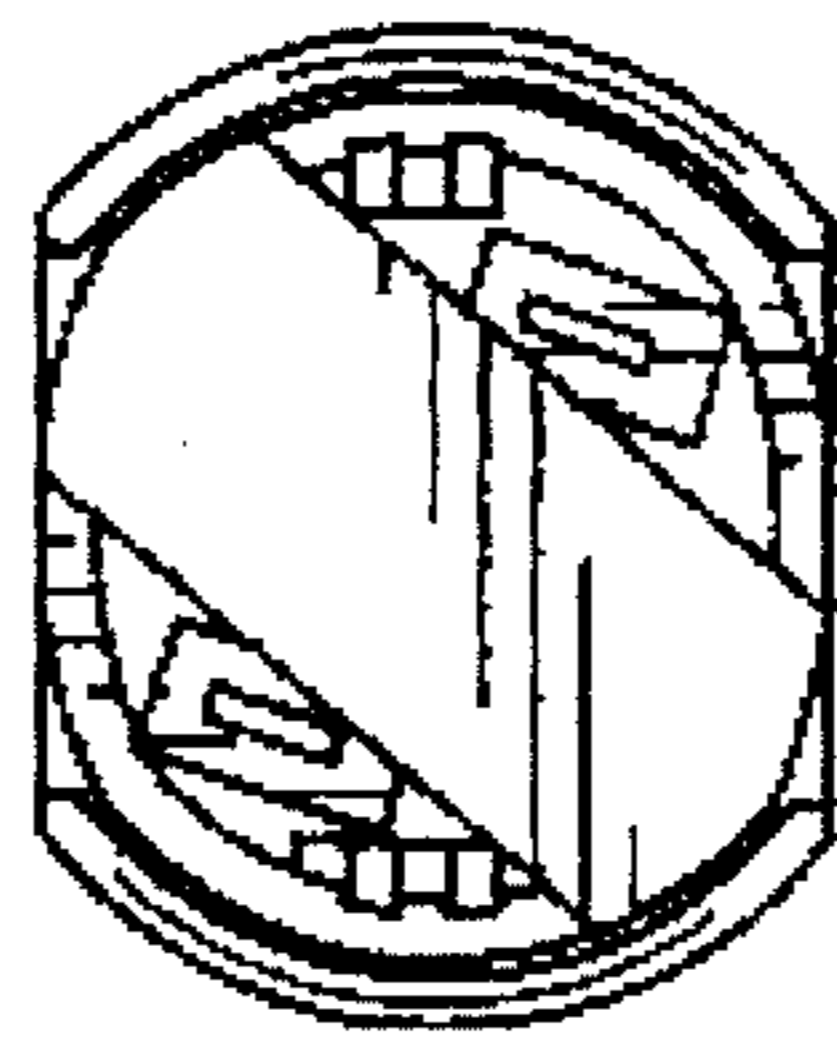


FIG. 4

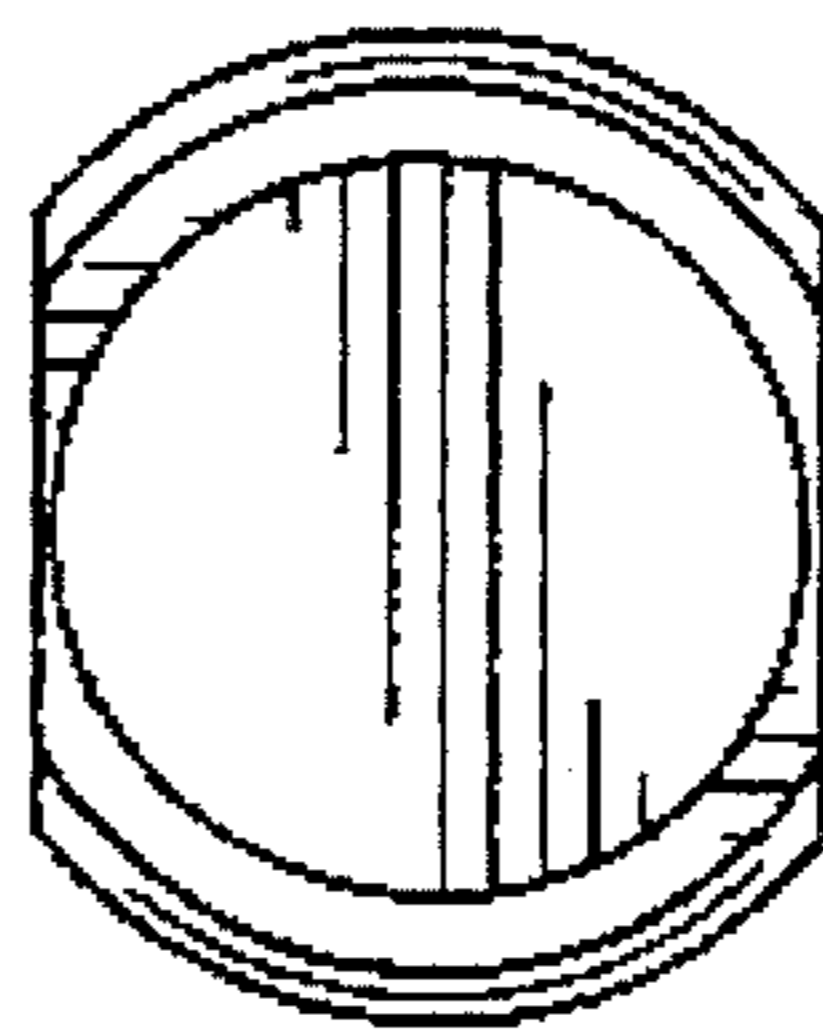


FIG. 5

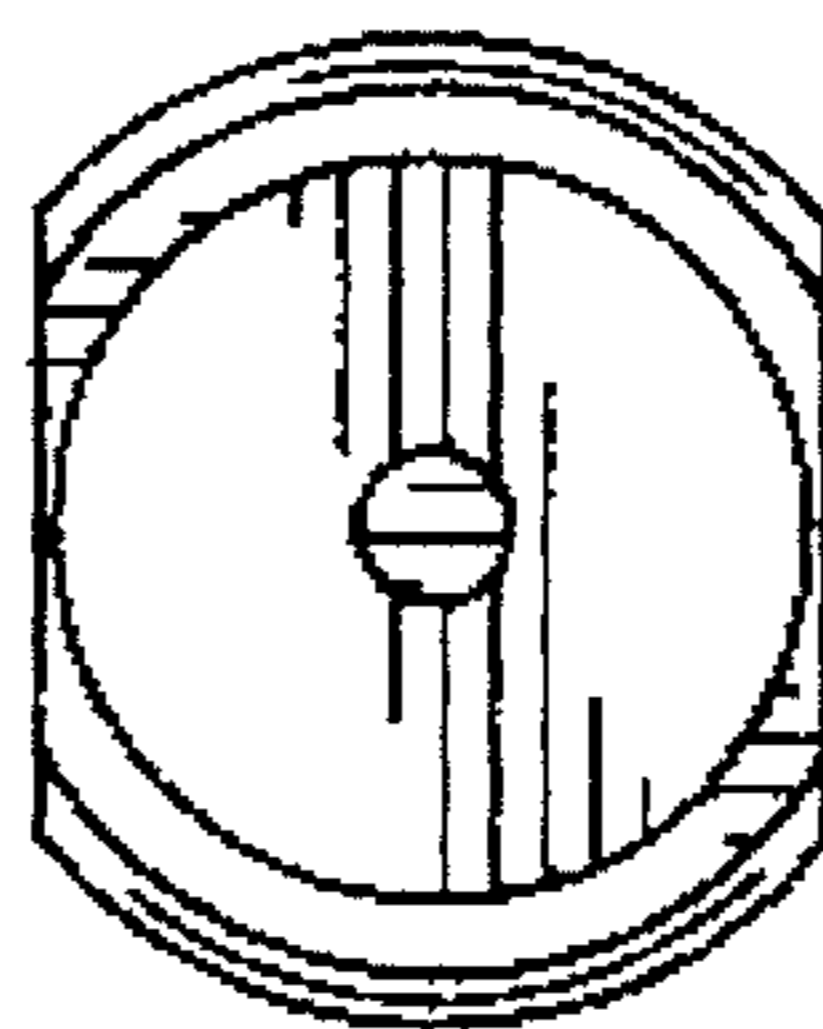


FIG. 9

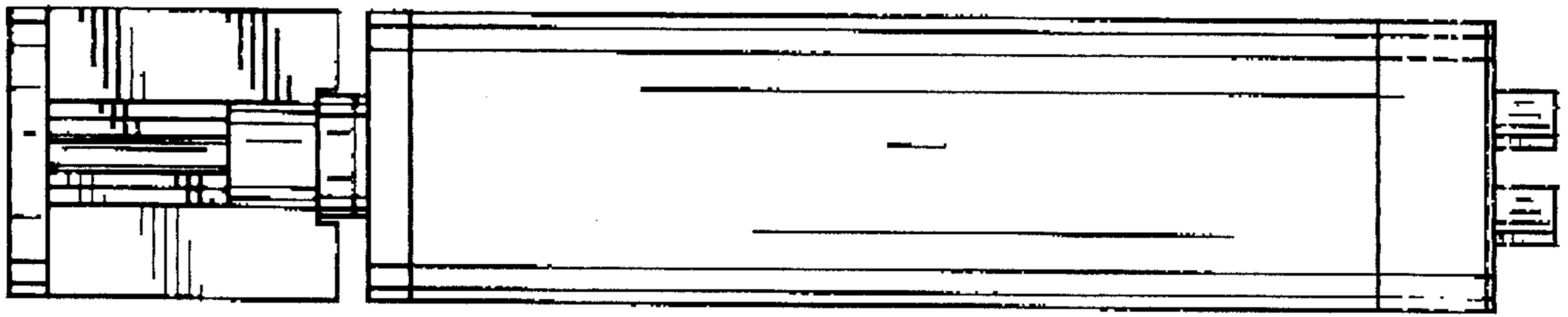


FIG. 6

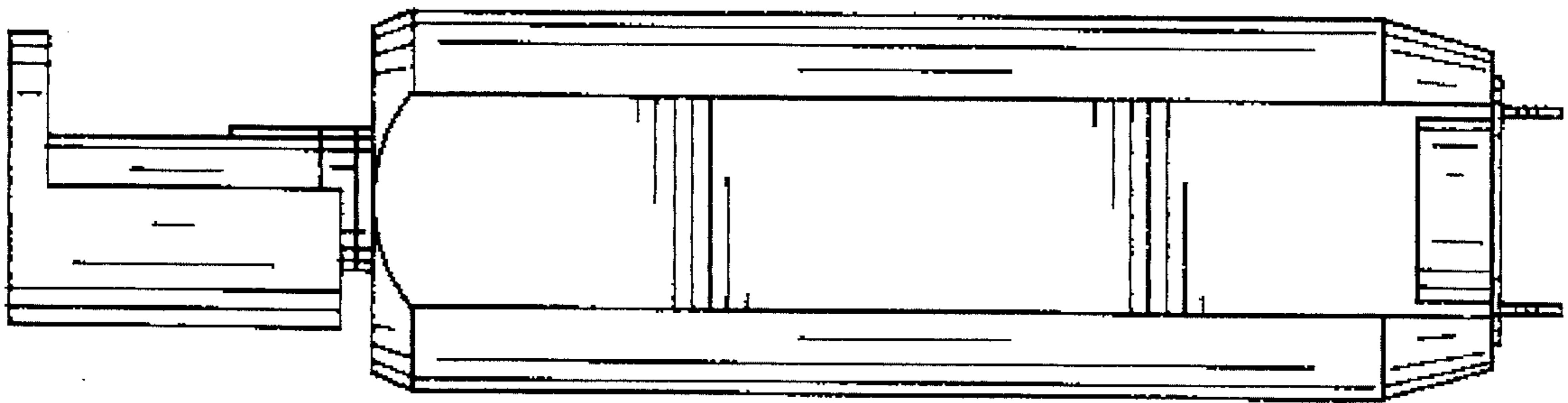


FIG. 7

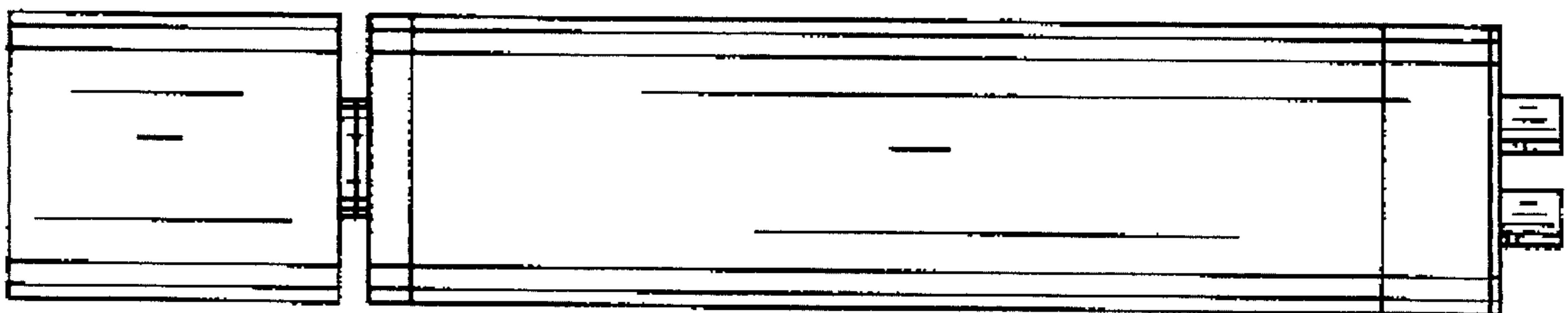


FIG. 8

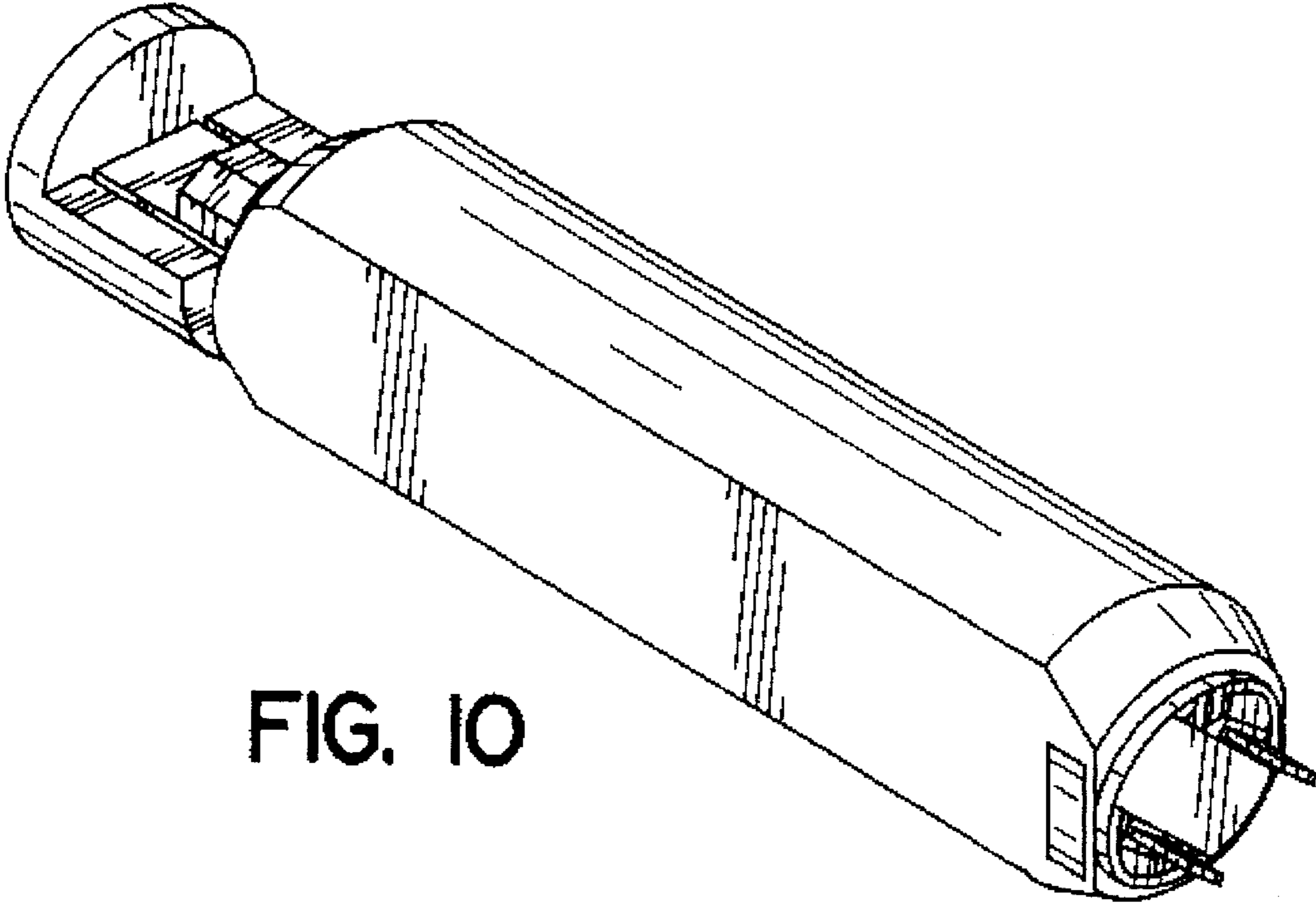


FIG. 10

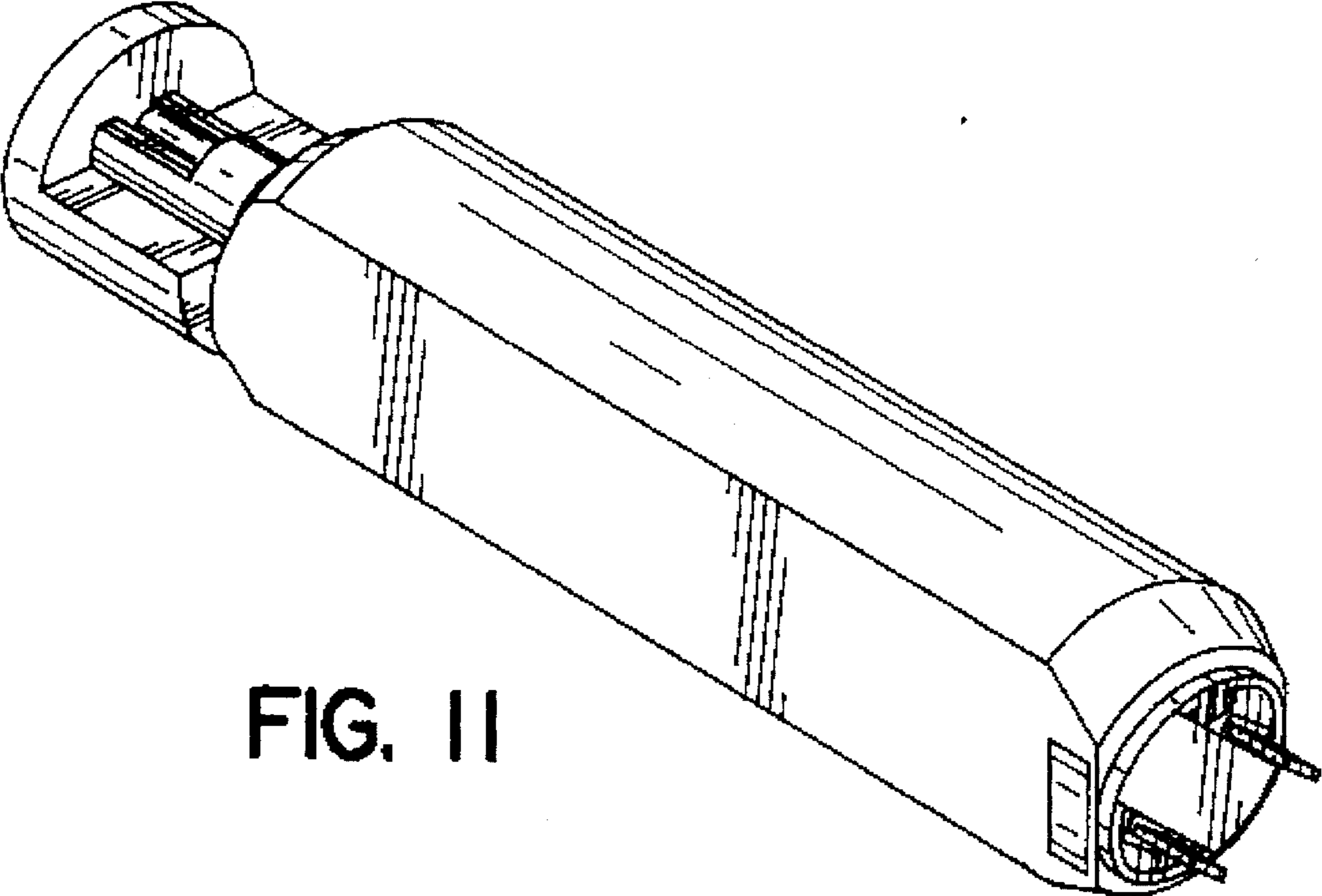


FIG. 11

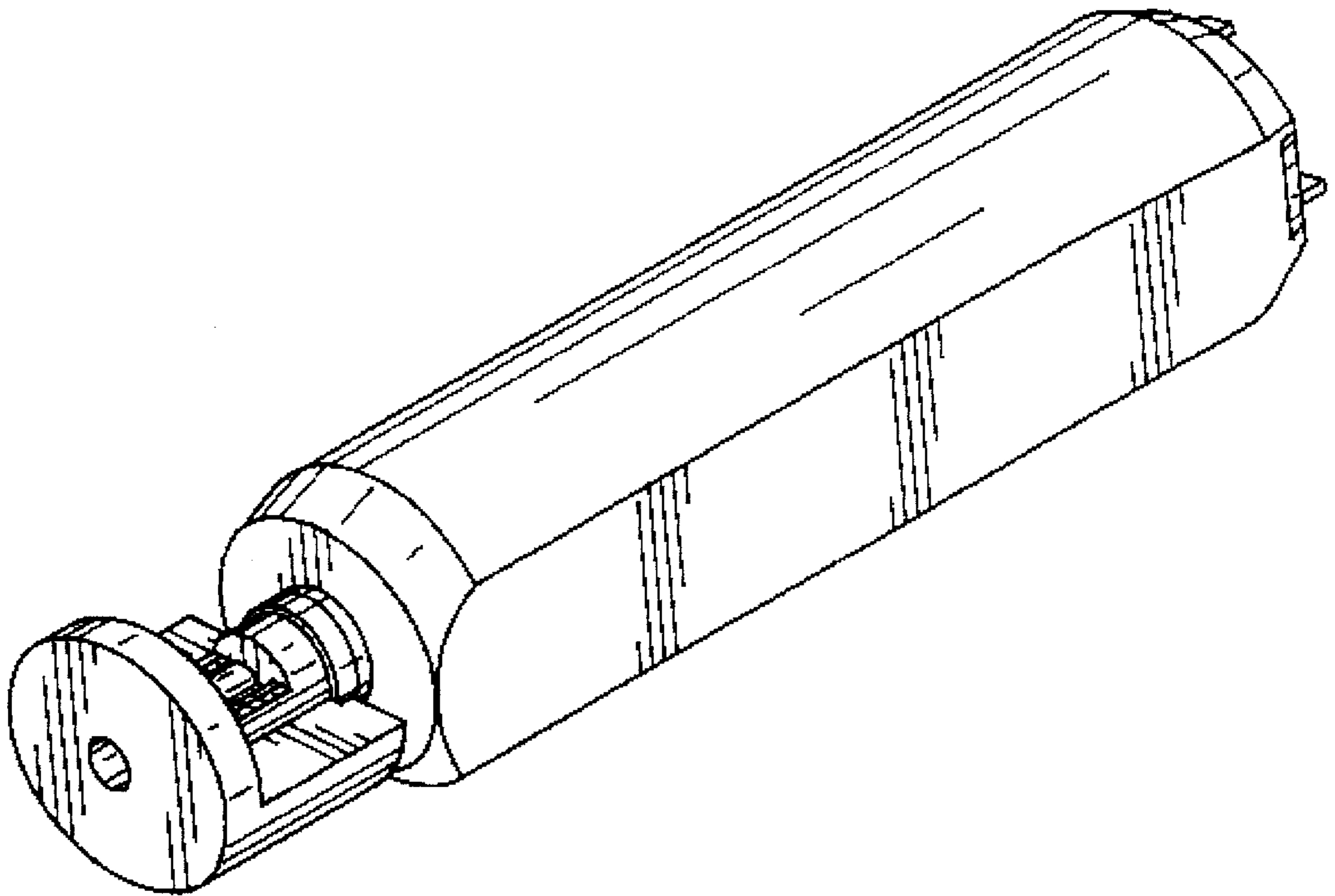


FIG. 12