



US00D372455S

United States Patent [19]

Tiefenthal et al.

[11] Patent Number: **Des. 372,455**

[45] Date of Patent: ****Aug. 6, 1996**

[54] **BATTERY CHARGER**

D. 344,708 3/1994 Ho D13/108

[75] Inventors: **James L. Tiefenthal**, Dublin; **Donald J. Goldhardt**, Grove City, both of Ohio; **James D. Morrow**, Oak Park, Ill.

Primary Examiner—Joel Sincavage
Attorney, Agent, or Firm—Brian R. Woodworth

[73] Assignee: **Abbott Laboratories**, Abbott Park, Ill.

[57] **CLAIM**

[**] Term: **14 Years**

The ornamental design for a battery charger, as shown and described.

[21] Appl. No.: **27,327**

DESCRIPTION

[22] Filed: **Aug. 18, 1994**

FIG. 1 is a first perspective view of a battery charger showing our new design;

[52] U.S. Cl. **D13/108**

FIG. 2 is a top view thereof;

[58] Field of Search D13/107, 108;

FIG. 3 is a first side elevation view thereof;

D14/240, 251; 320/2, 3, 4, 15

FIG. 4 is a second side elevation view thereof showing the side opposite that shown in FIG. 3;

[56] **References Cited**

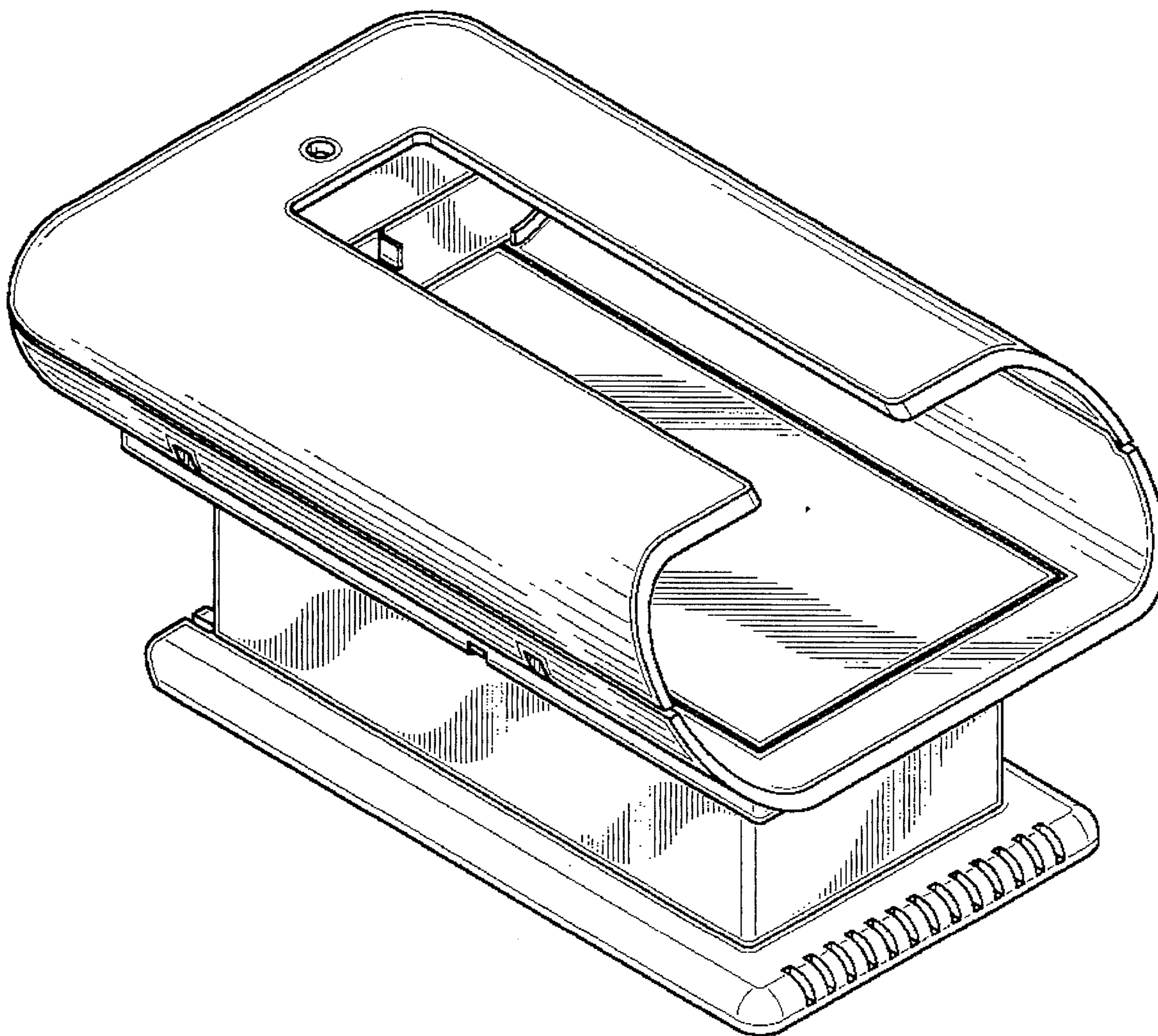
FIG. 5 is a front elevation view thereof; and,

U.S. PATENT DOCUMENTS

FIG. 6 is a rear elevation view thereof.

D. 343,841 2/1994 Hon et al. D14/240 X

1 Claim, 5 Drawing Sheets



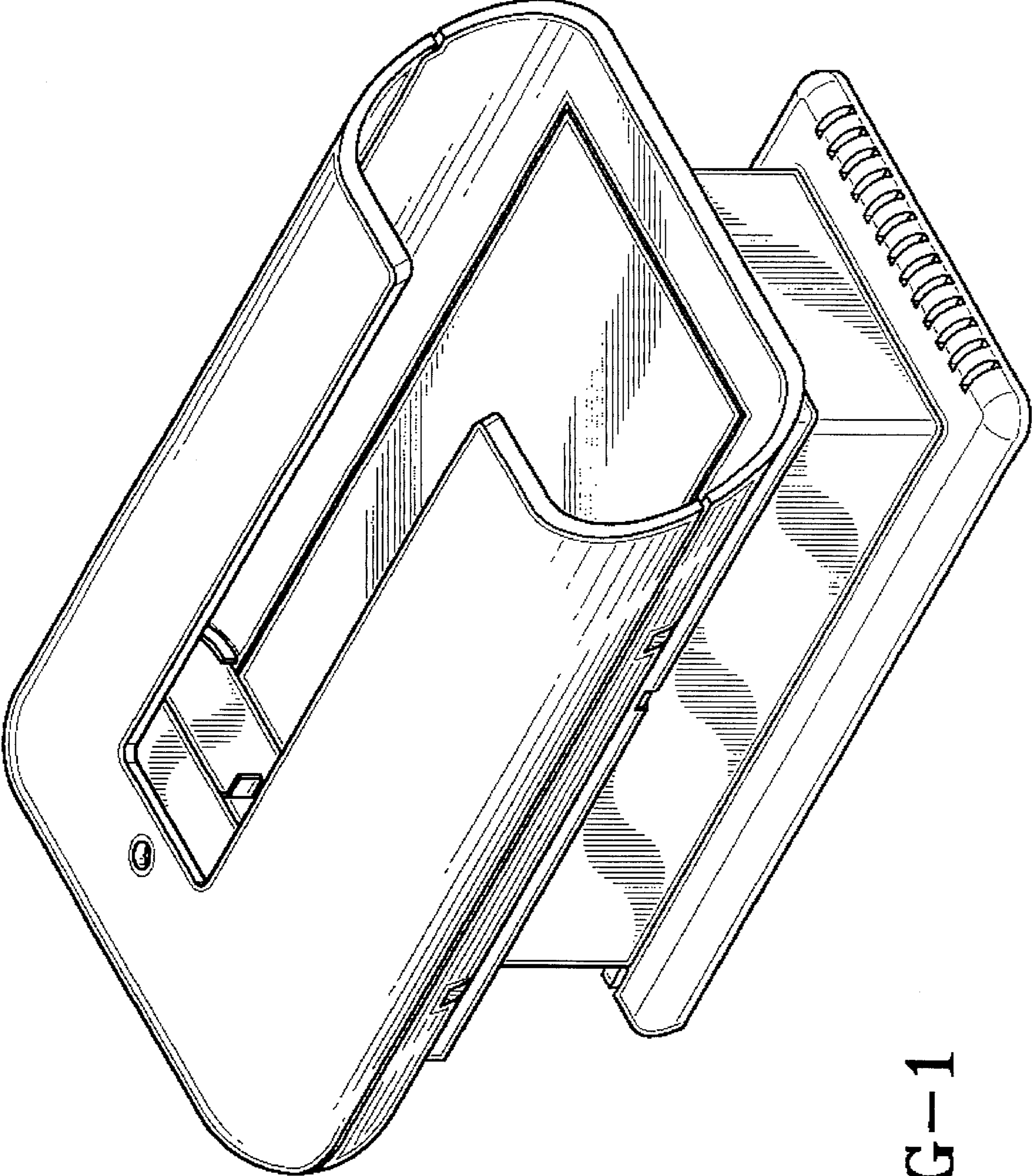


FIG-1

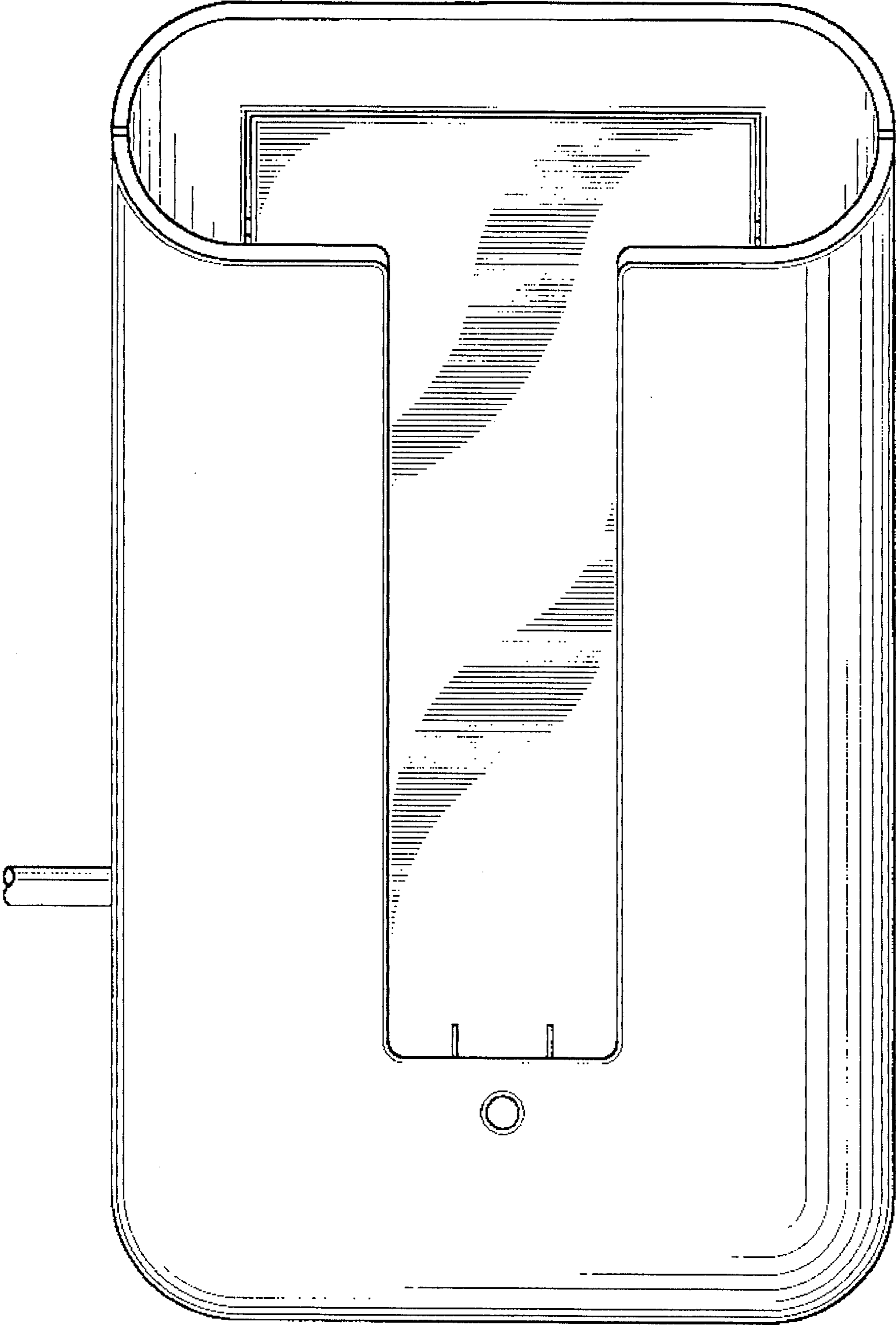


FIG-2

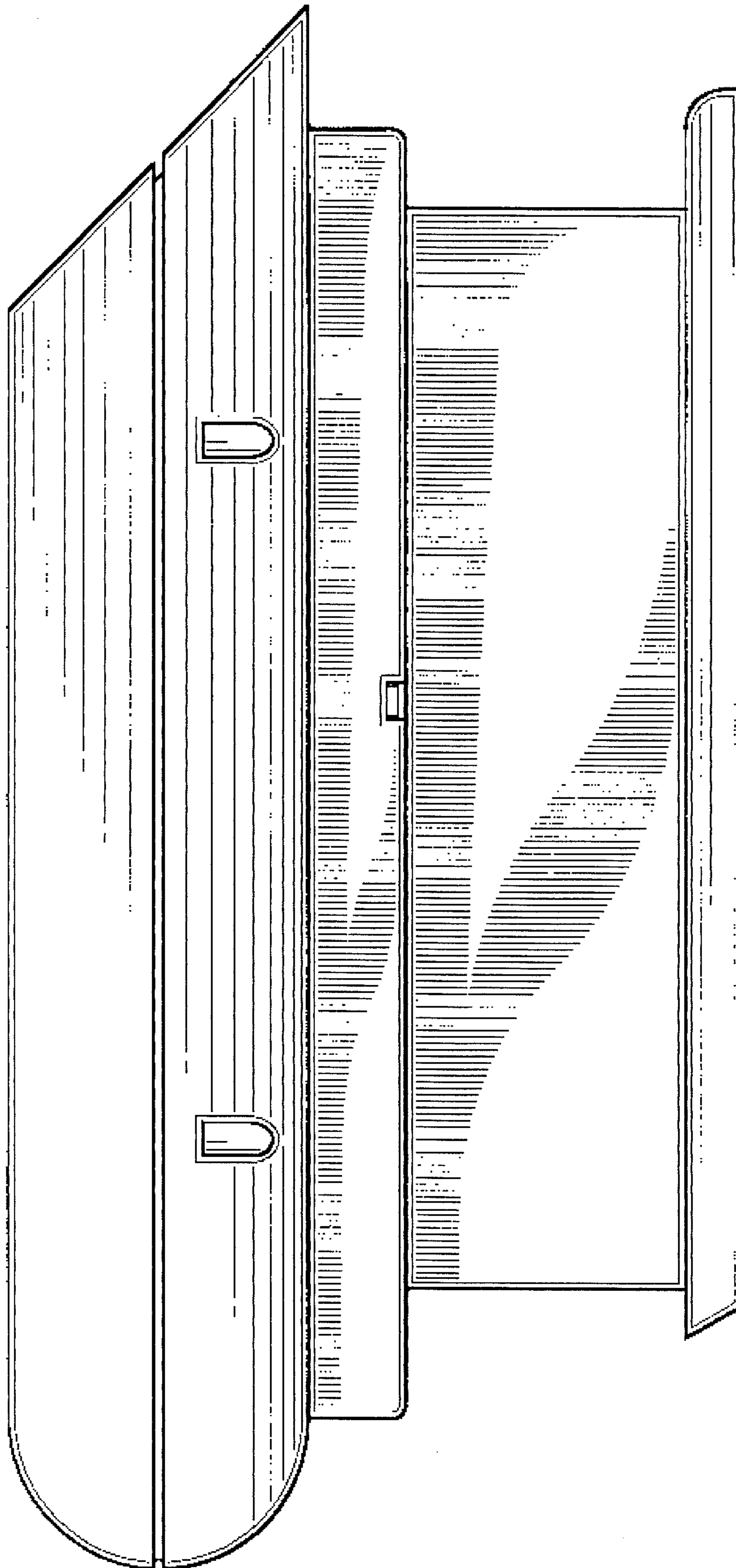


FIG-3

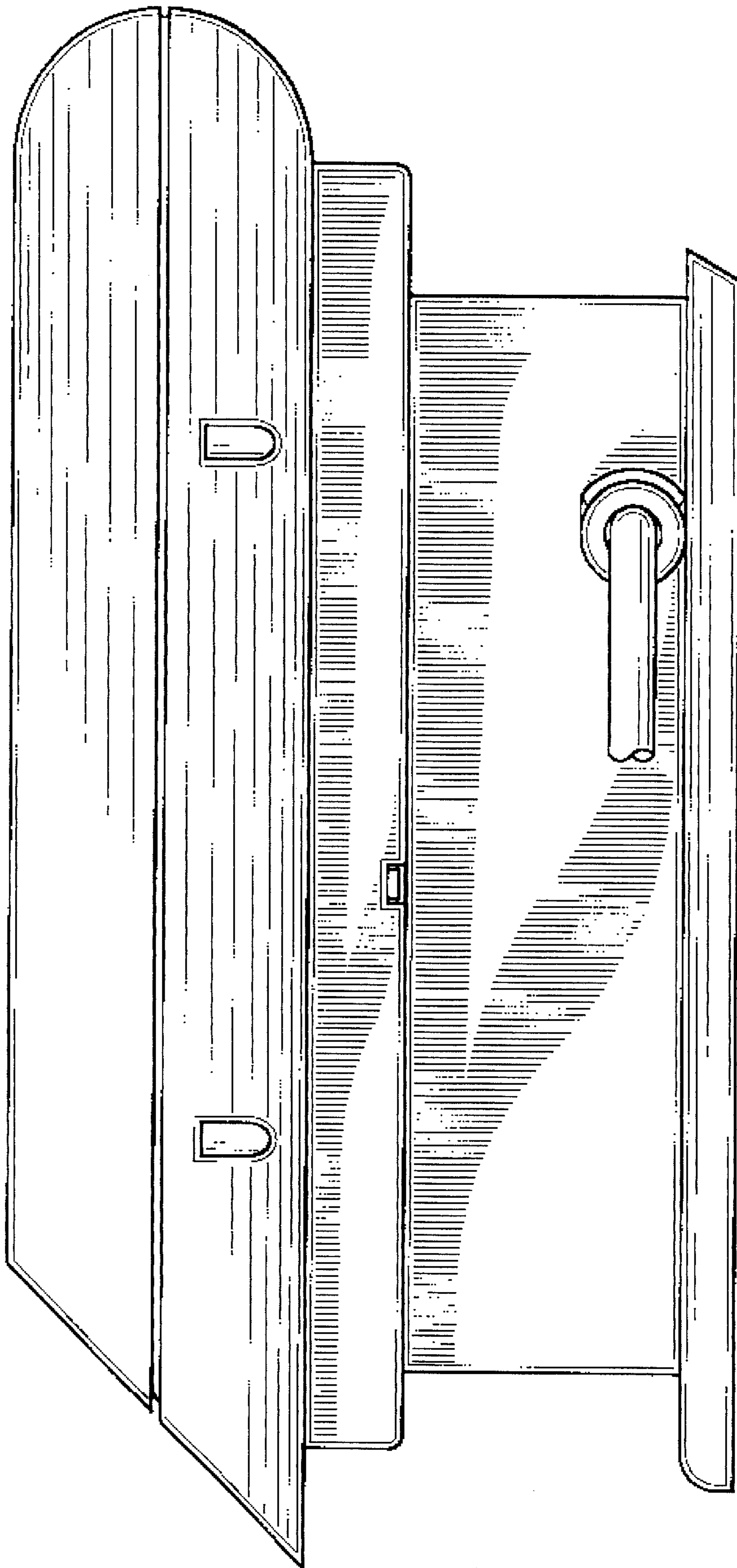


FIG-4

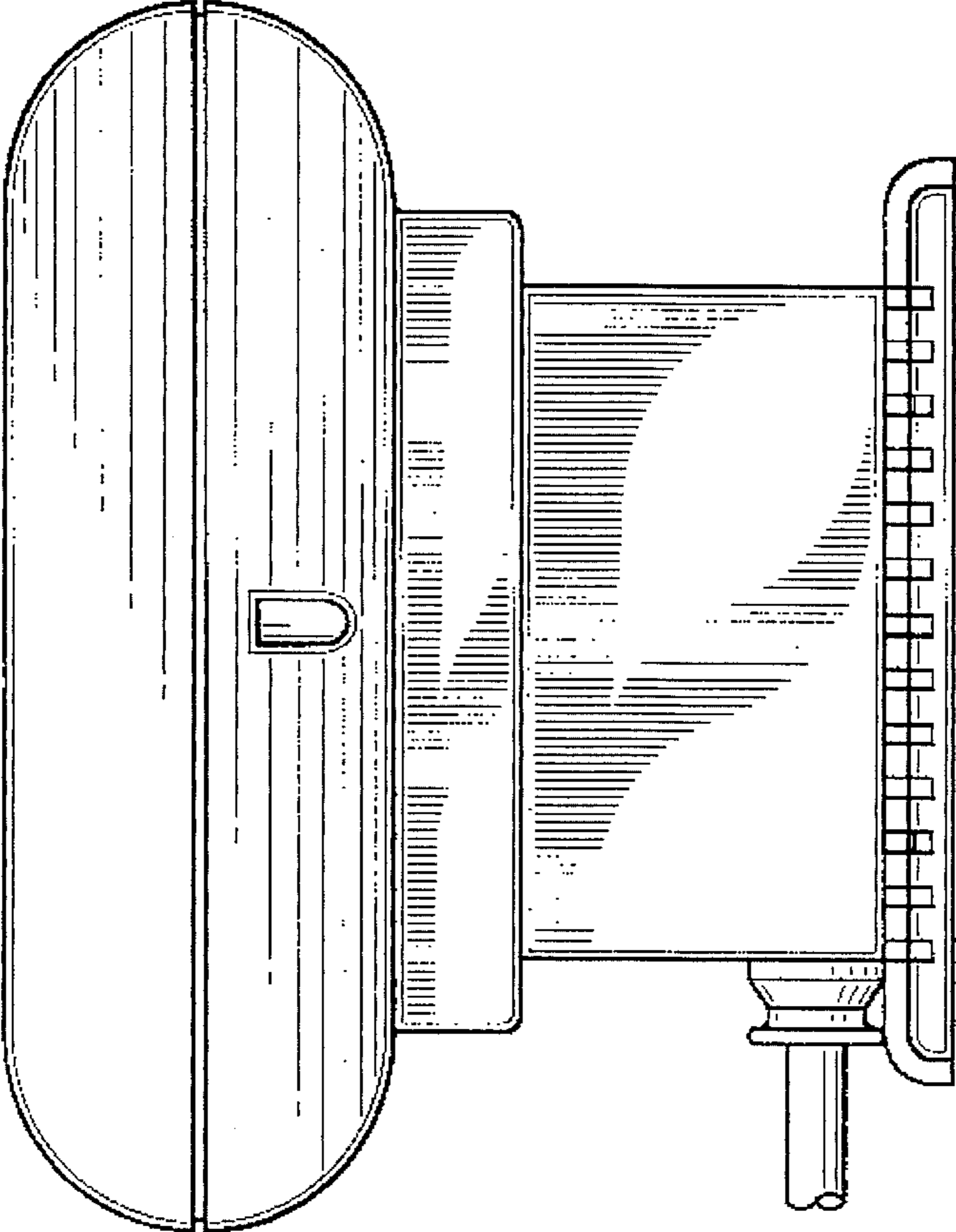


FIG-6

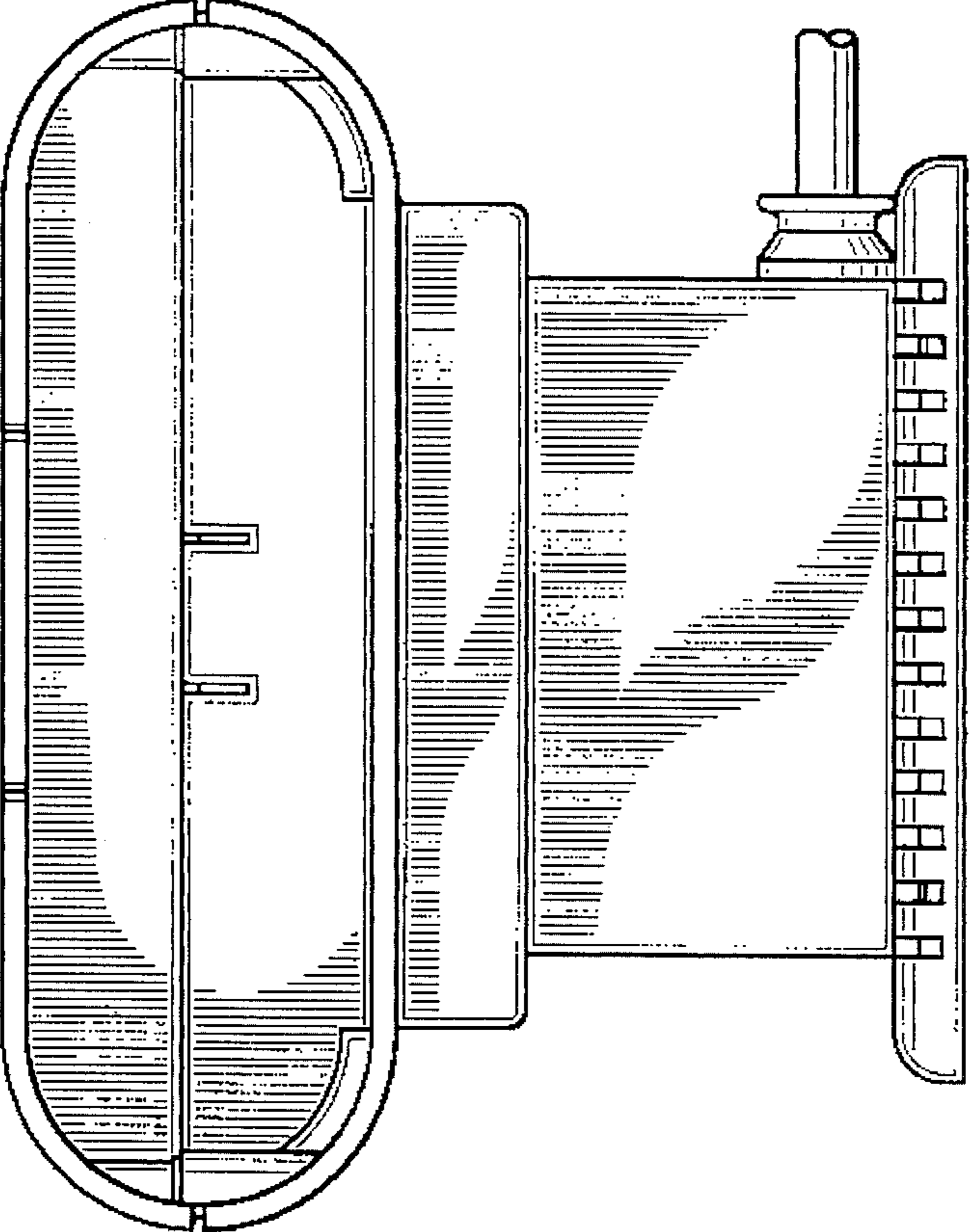


FIG-5