



US00D372454S

United States Patent [19]

Murray, Sr.

[11] Patent Number: **Des. 372,454**

[45] Date of Patent: ****Aug. 6, 1996**

[54] **COMBINATION TOOL BOX AND FUEL TANK**

5,316,358 5/1994 Payne et al. 296/24.1

[76] Inventor: **Robert M. Murray, Sr.**, 6819 Brewster Ct., Columbus, Ga. 31904

Primary Examiner—Melody N. Brown
Attorney, Agent, or Firm—H. Jay Spiegel

[**] Term: **14 Years**

[57] **CLAIM**

The ornamental design for a combination tool box and fuel tank, as shown and described.

[21] Appl. No.: **24,092**

[22] Filed: **Jun. 8, 1994**

[52] U.S. Cl. **D12/423**; D12/218

[58] Field of Search D12/423, 424, D12/425, 406; 296/37.1, 37.5, 37.6, 24.1; 280/835; 224/42.42, 42.11, 273

DESCRIPTION

FIG. 1 is a perspective view of a combination tool box and fuel tank showing my new design, the broken lines are shown for illustrative purposes only and form no part of the claimed design;

FIG. 2 is a rear view, the front view being identical with the position of the fuel cap reversed;

FIG. 3 is a side view, the other side being identical with the position of the fuel cap reversed;

FIG. 4 is a top view with the tool box lid removed to show details; and,

FIG. 5 is a side cross-sectional view along the line 5—5 of FIG. 4 to show the L-shaped cross-section of the fuel tank which extends in front of and below the tool box.

[56] **References Cited**

U.S. PATENT DOCUMENTS

D. 217,907	6/1970	Derenski	D12/218
D. 235,583	6/1975	Parry	D12/424
D. 293,705	1/1988	Sayward	D12/218
D. 315,540	3/1991	Carmody	D12/424
D. 317,868	7/1991	Fielder	D12/423
D. 349,091	7/1994	Dickinson	D12/406
D. 353,046	12/1994	Whitaker	D12/423
5,169,200	12/1992	Pugh	224/42.42

1 Claim, 3 Drawing Sheets

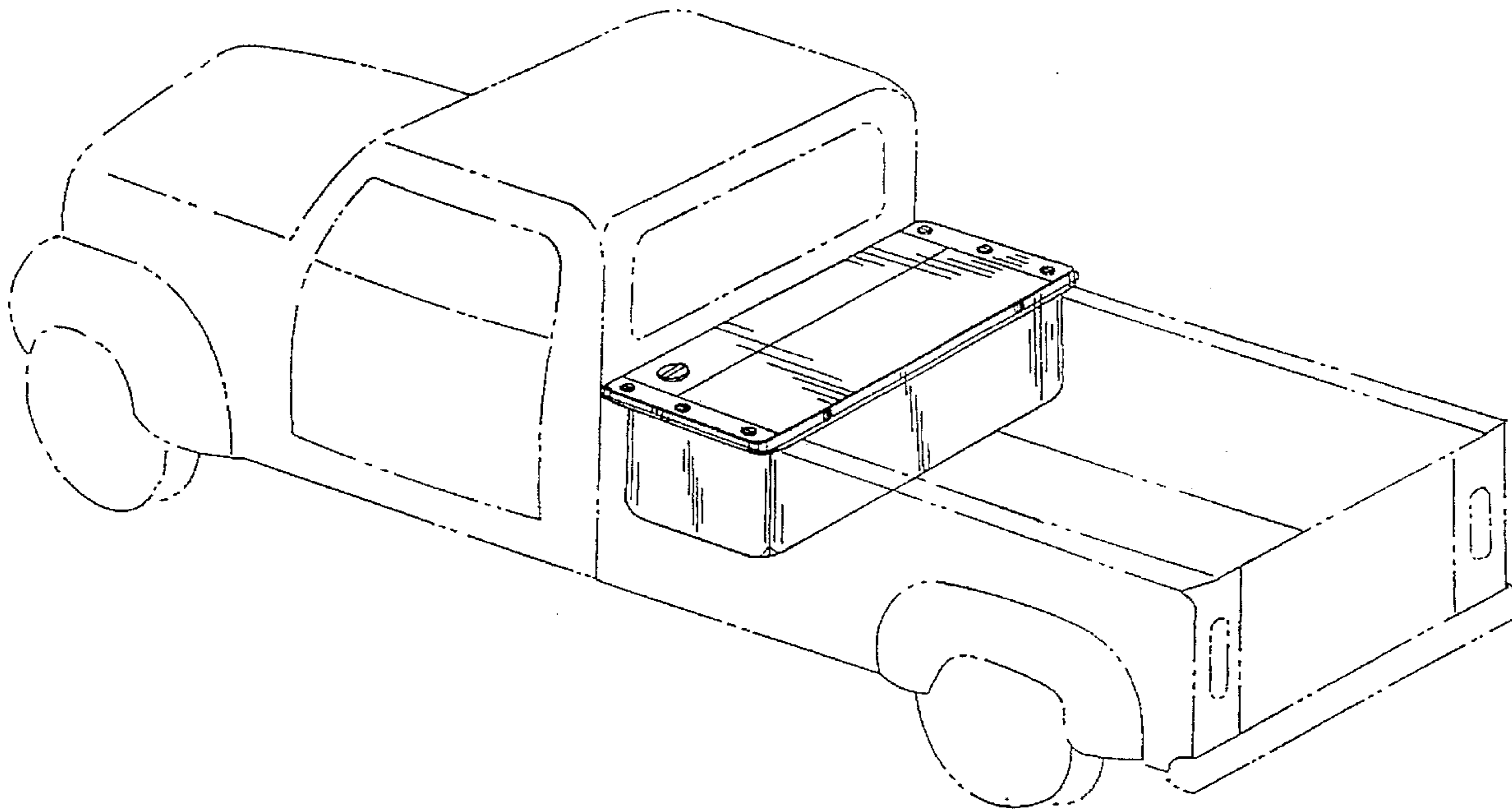


FIG. 1

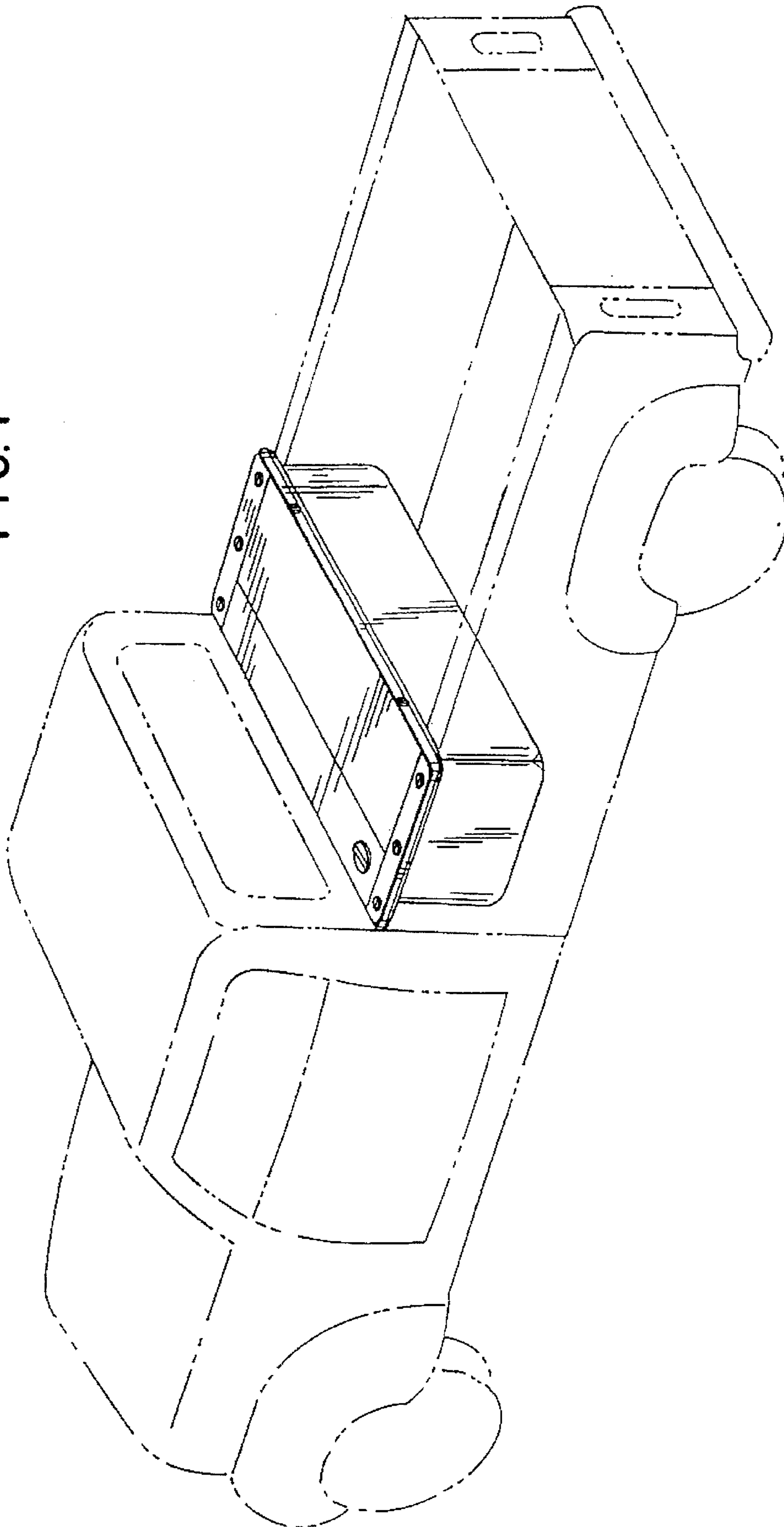


FIG. 2

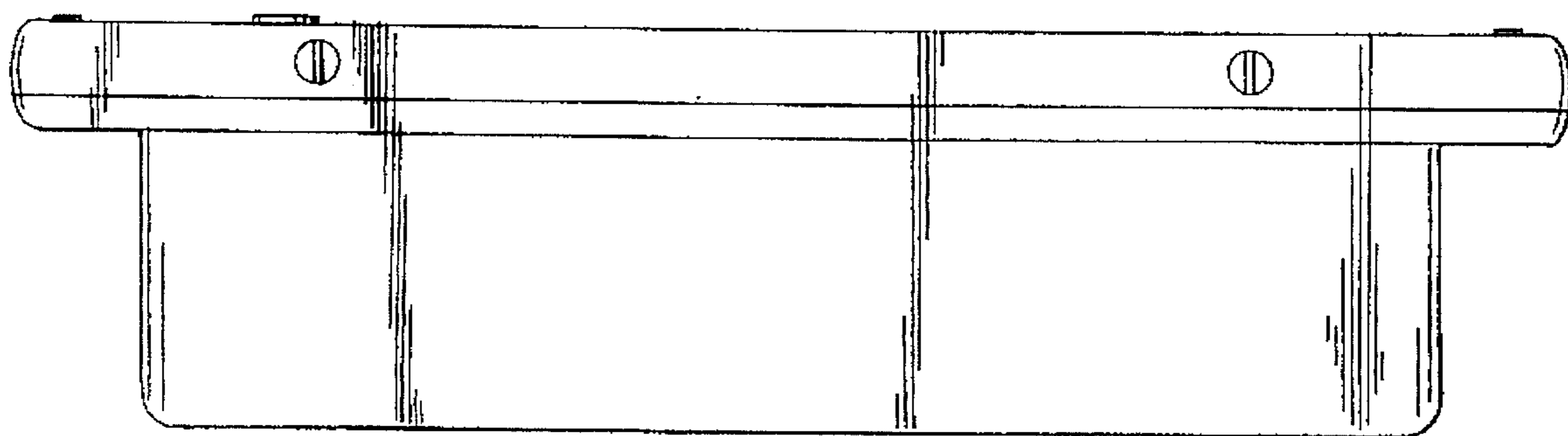


FIG. 3

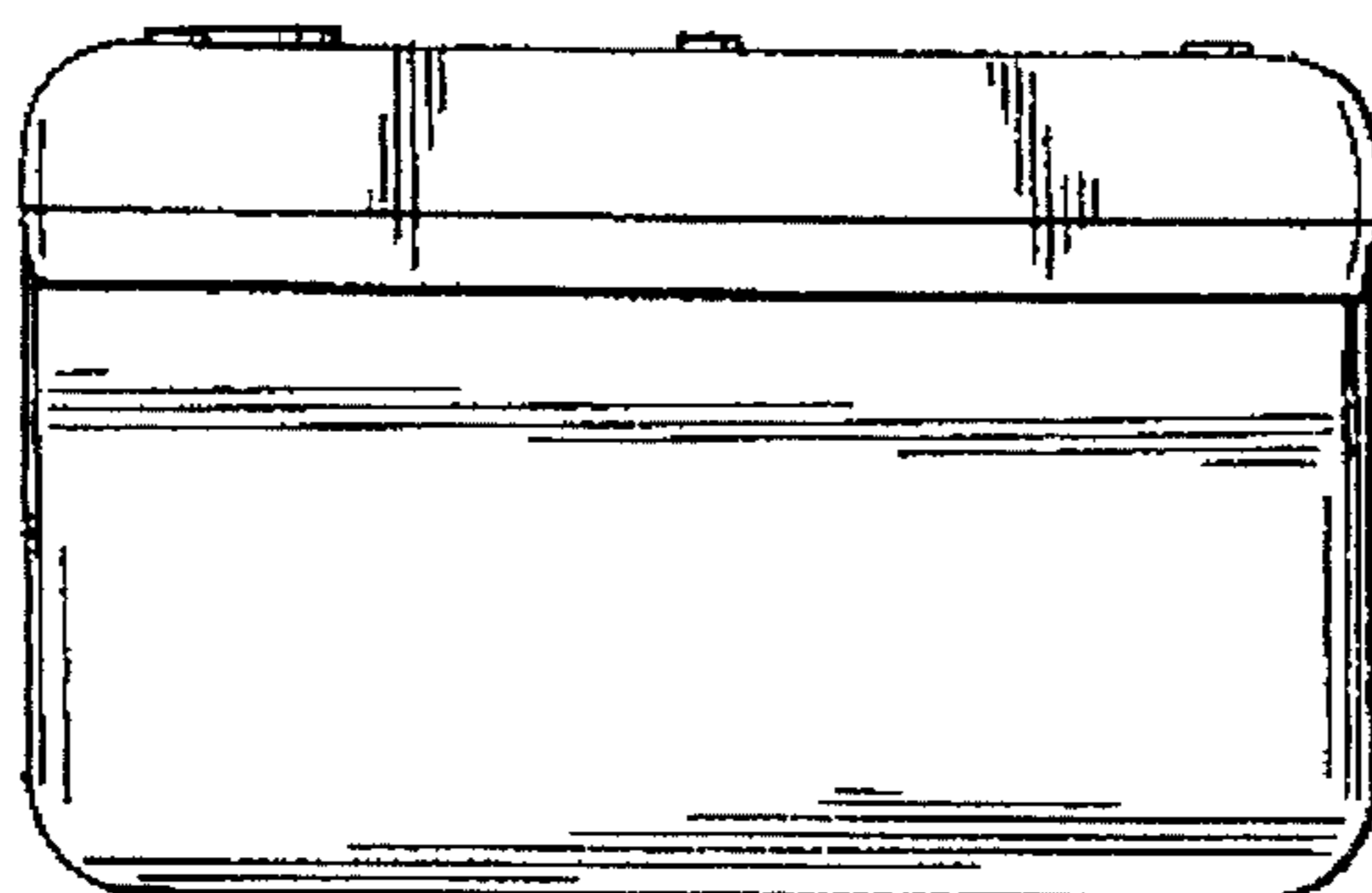


FIG. 4

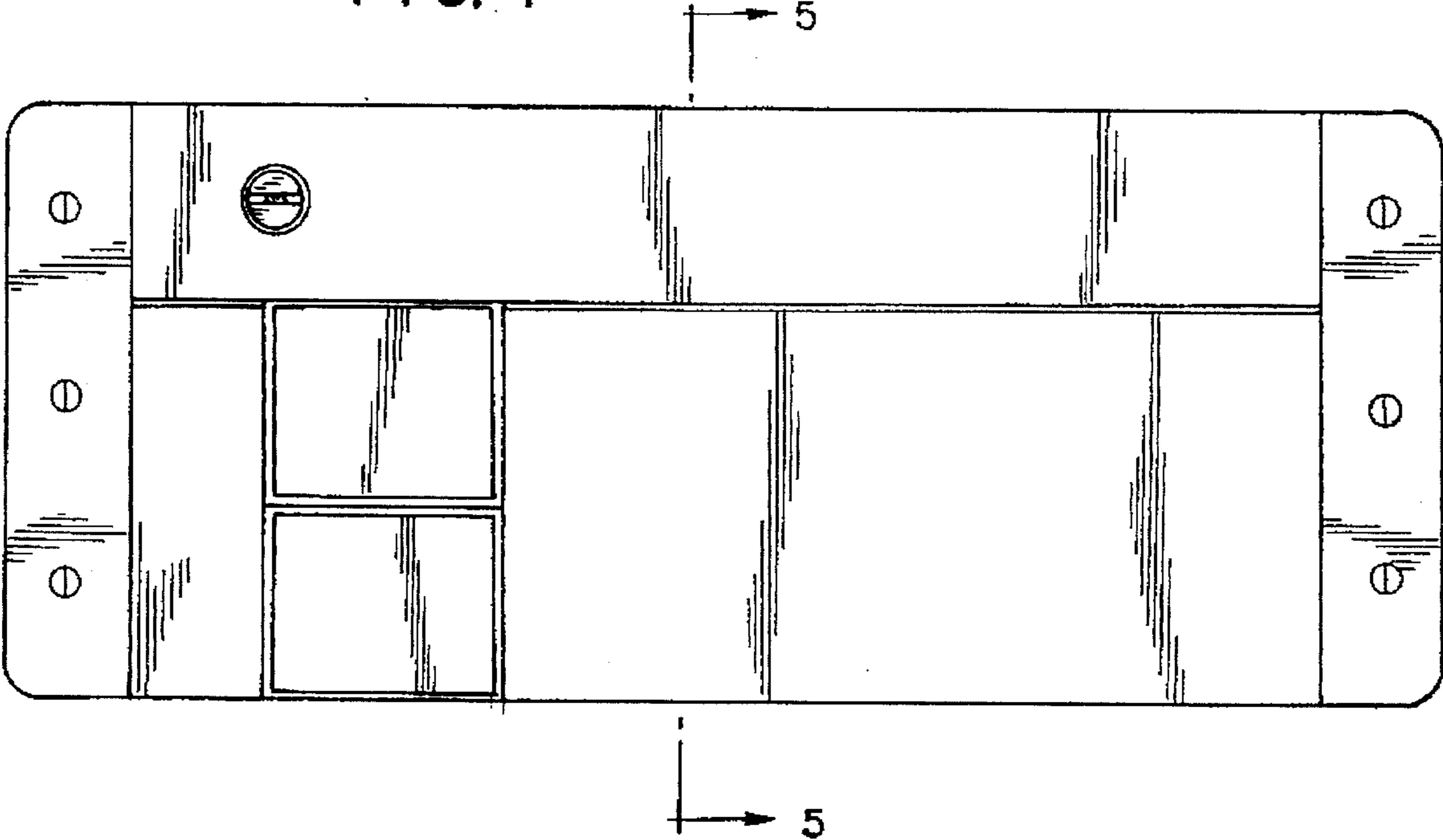


FIG. 5

