



US00D372448S

United States Patent [19]
Holst

[11] **Patent Number:** **Des. 372,448**
[45] **Date of Patent:** ****Aug. 6, 1996**

[54] **FOOT PAD**

[76] Inventor: **Rainer Holst**, P.O. Box 97, Breslau,
Ontario, Canada, N0B 1M0

[**] Term: **14 Years**

[21] Appl. No.: **20,321**

[22] Filed: **Mar. 24, 1994**

[30] **Foreign Application Priority Data**

Sep. 27, 1993 [CA] Canada 27-09-93-2

[52] **U.S. Cl.** **D12/174**

[58] **Field of Search** D6/349-353, 355;
297/461, 462, 423.39, 423.41; D12/174;
74/563, 562

[56] **References Cited**

U.S. PATENT DOCUMENTS

D. 223,064 3/1972 Peterson D6/349

D. 258,875 4/1991 Weiner D12/174
D. 306,243 2/1990 Levi D6/485
D. 308,537 6/1990 Clark D6/484 X
1,455,675 5/1923 Sinclair 74/563
1,824,289 9/1931 Milhander 74/563
1,918,918 7/1933 Lambert 74/563

FOREIGN PATENT DOCUMENTS

8766 8/1906 Denmark 297/423.41

Primary Examiner—Janice E. Seeger
Attorney, Agent, or Firm—Daryl W. Schnurr

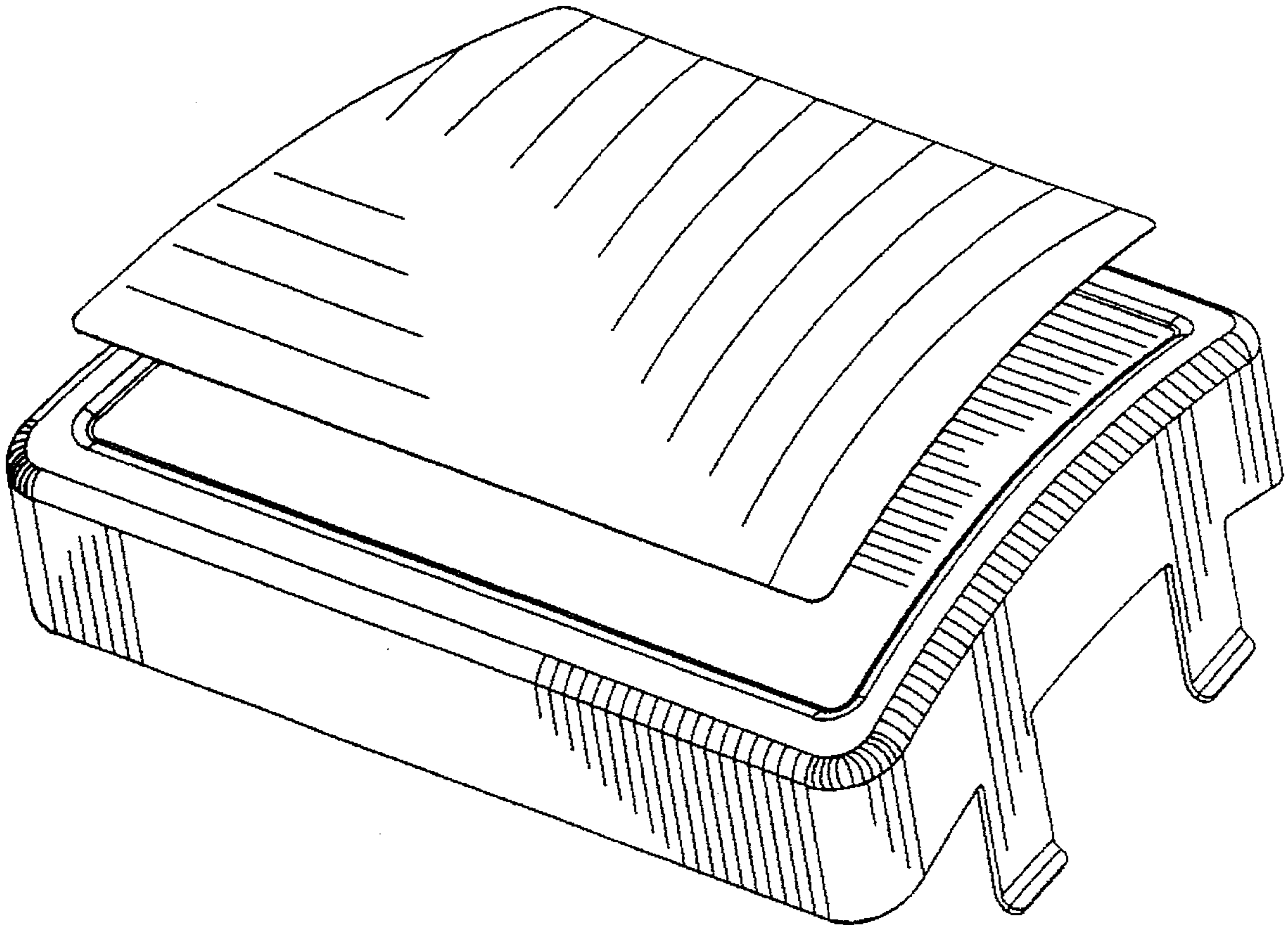
[57] **CLAIM**

The ornamental design for a foot pad, as shown and described.

DESCRIPTION

FIG. 1 is a perspective view of the foot pad from above; and, FIG. 2 is a perspective view of the foot pad from below.

1 Claim, 2 Drawing Sheets



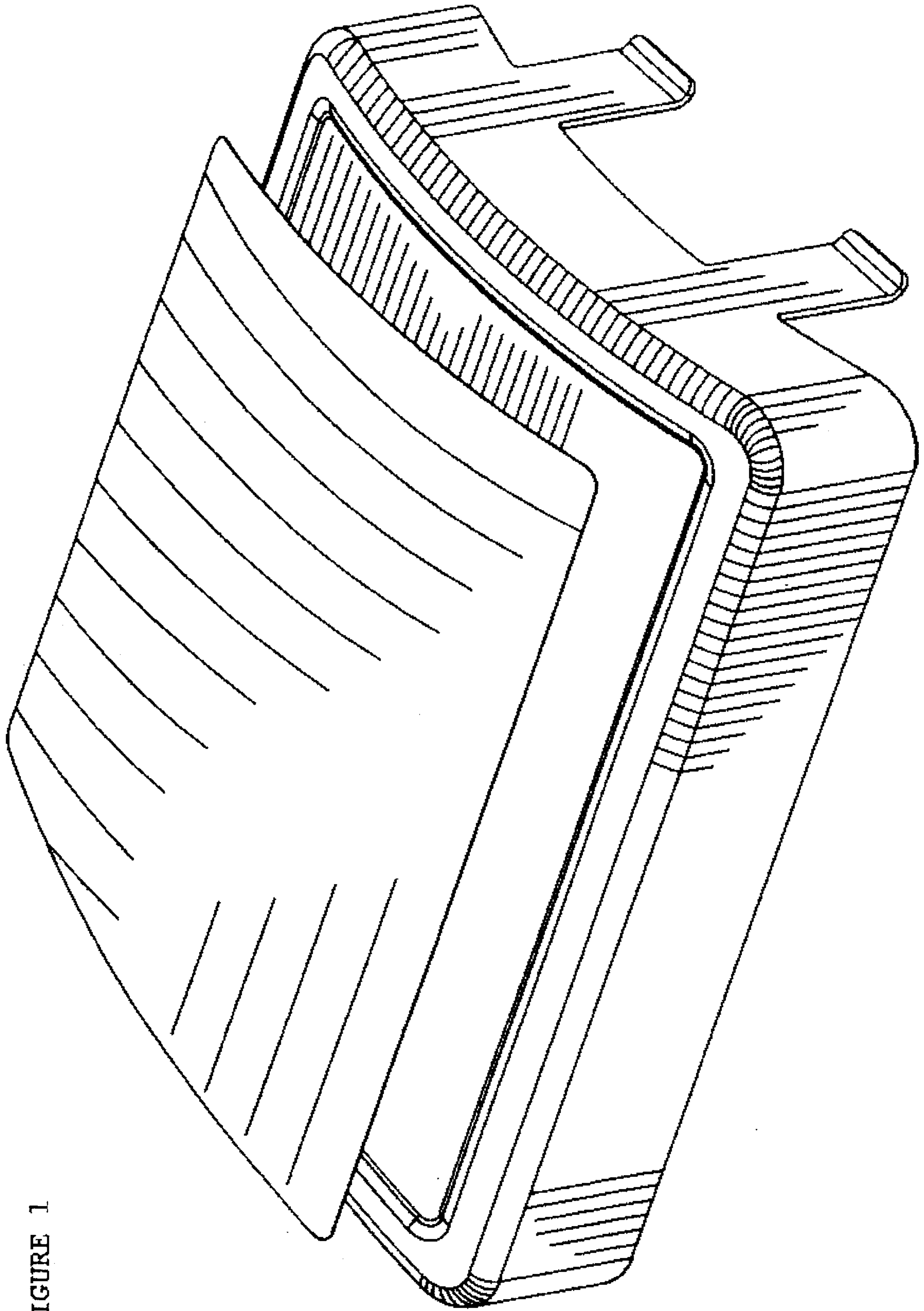


FIGURE 1

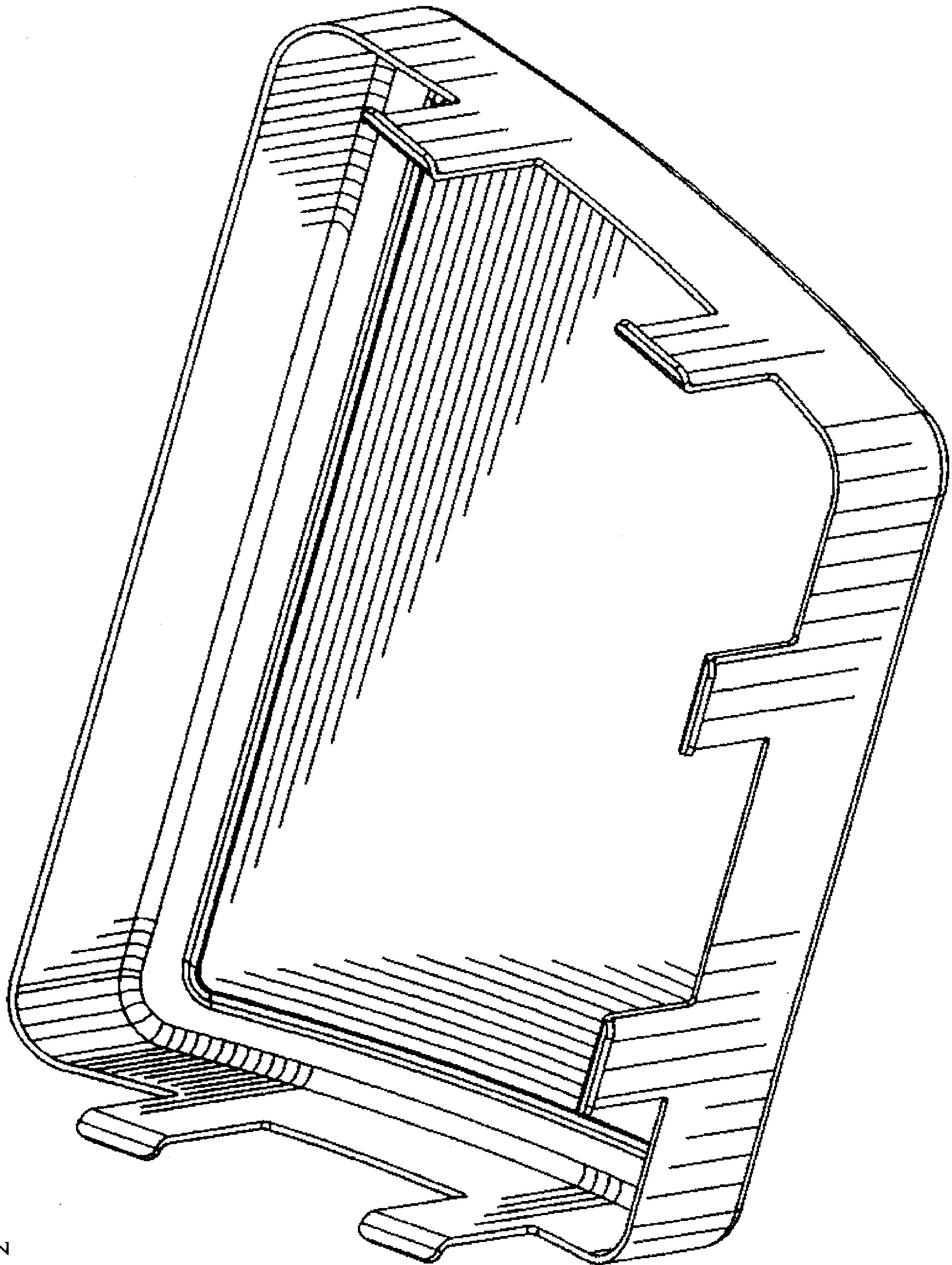


FIGURE 2