



US00D372447S

# United States Patent [19]

McCoy et al.

[11] Patent Number: **Des. 372,447**

[45] Date of Patent: **\*\*Aug. 6, 1996**

[54] **STEP BUMPER HITCH WITH HITCH PLATE OPENINGS**

[75] Inventors: **Richard McCoy**, Granger, Ind.;  
**Marvin L. Hanson**, Vandalia; **Jon L. Krager**, Cassopolis, both of Mich.

[73] Assignee: **Reese Products, Inc.**, Elkhart, Ind.

[\*\*] Term: **14 Years**

[21] Appl. No.: **42,589**

[22] Filed: **Aug. 14, 1995**

[52] U.S. Cl. .... **D12/162**

[58] **Field of Search** ..... D12/162, 117,  
D12/126; 280/507, 511, 512, 513, 477,  
482

[56] **References Cited**

**U.S. PATENT DOCUMENTS**

D. 274,803	7/1984	Hughes	.....	D12/126
D. 280,311	8/1985	Pawsat	.....	D12/117
D. 305,749	1/1990	Jorgensen	.....	D12/117

D. 319,204	8/1991	McGrady	.....	D12/162
D. 334,163	3/1993	McVey	.....	D12/162
D. 362,224	9/1995	McCoy et al.	.....	D12/162
5,246,244	9/1993	Colibert	.....	280/511
5,378,008	1/1995	McCrosen	.....	280/507

*Primary Examiner*—Melody N. Brown  
*Attorney, Agent, or Firm*—King and Schickli

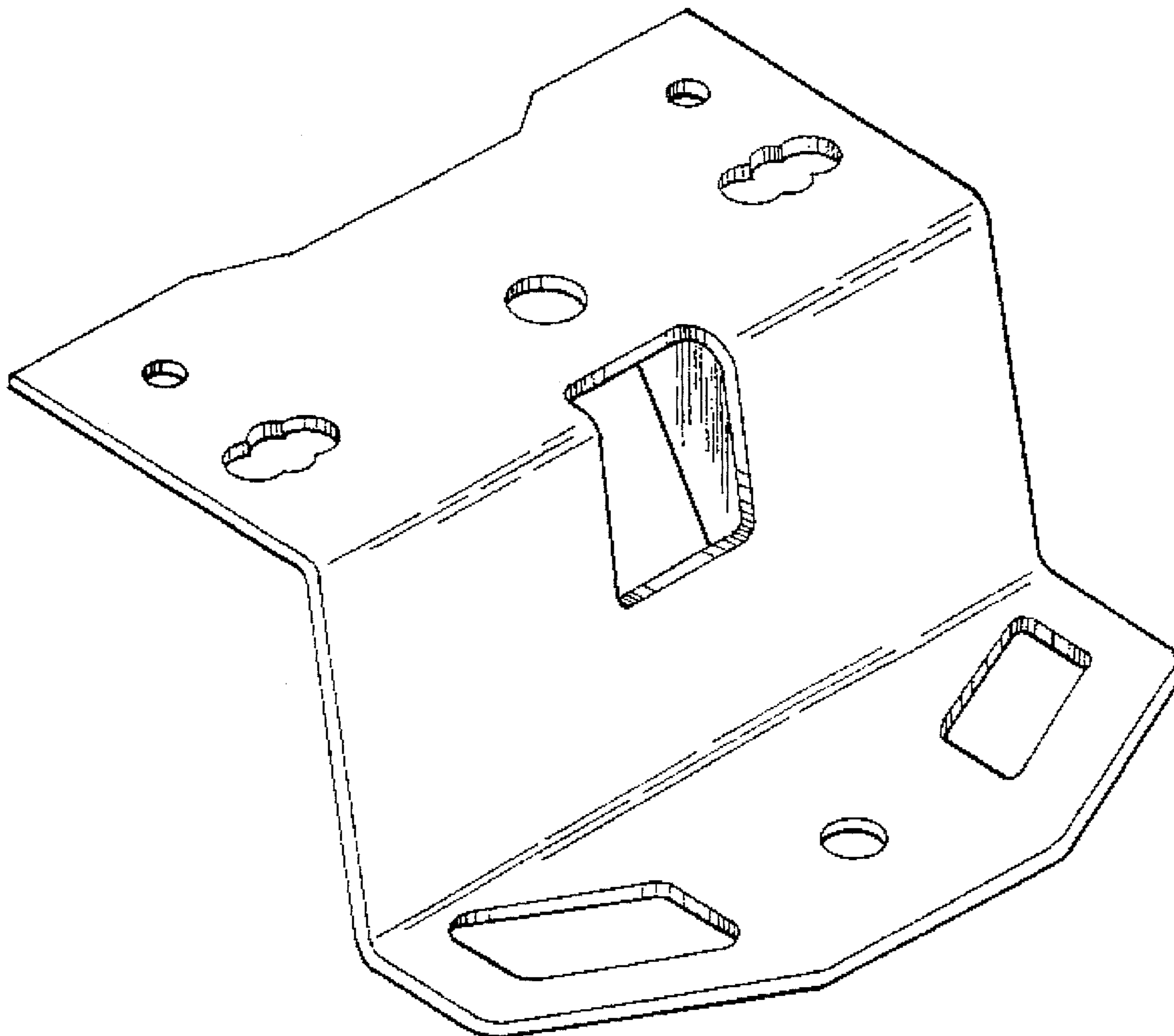
[57] **CLAIM**

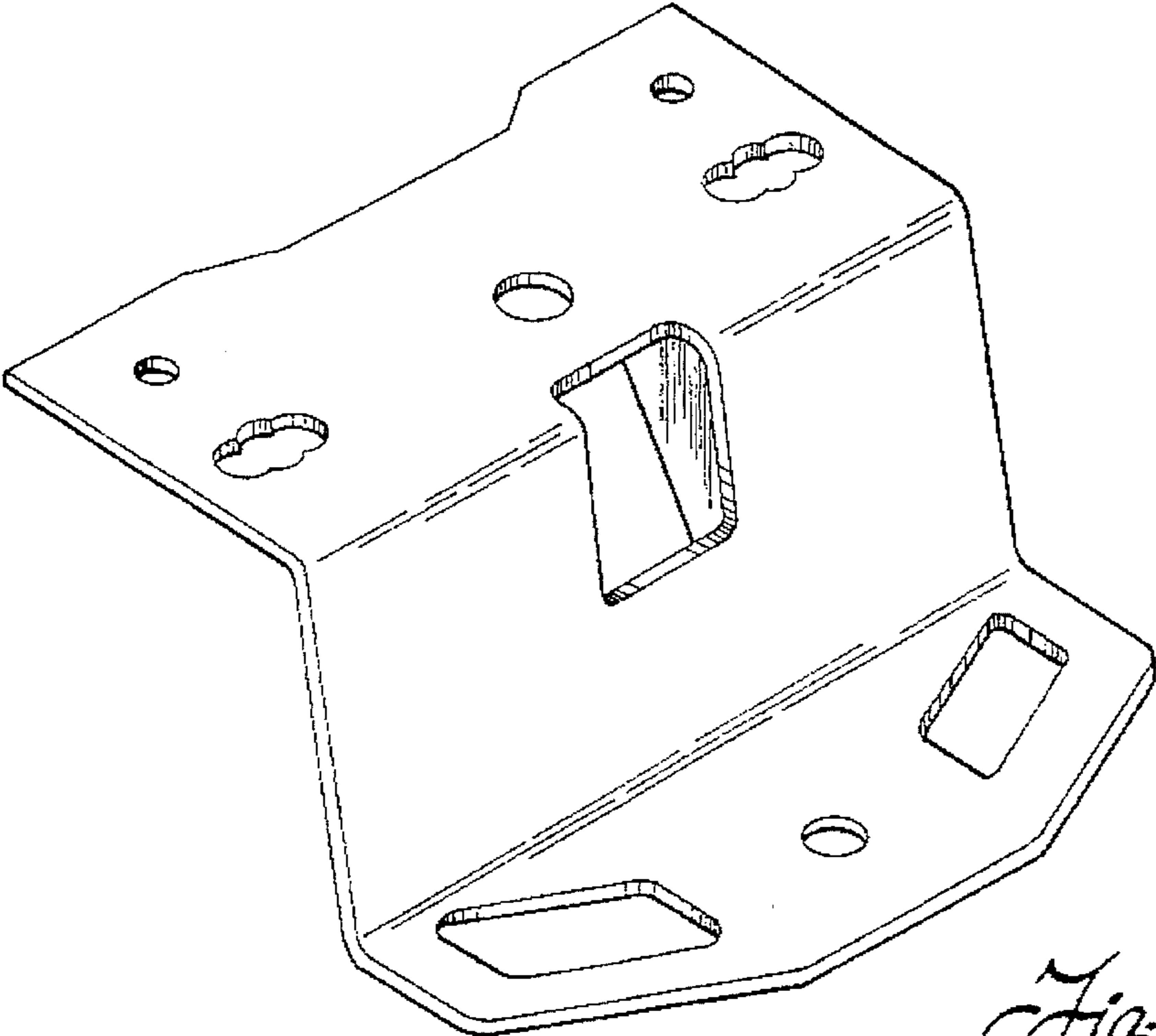
The ornamental design for a step bumper hitch with hitch plate openings, as shown.

**DESCRIPTION**

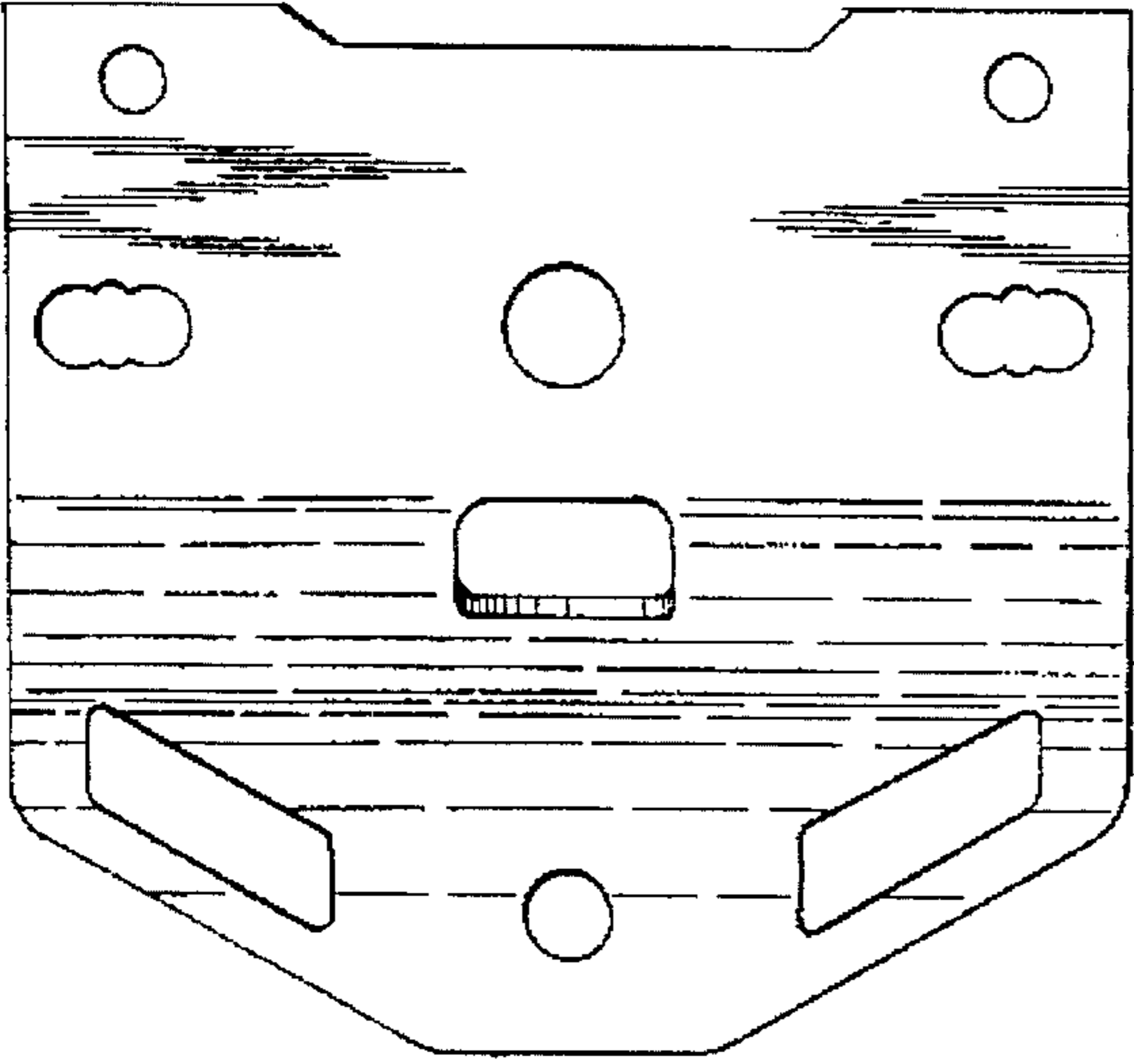
FIG. 1 is a perspective view of the step bumper hitch with hitch plate openings of the present invention; FIG. 2 is a top plan view thereof; FIG. 3 is a bottom plan view thereof; FIG. 4 is a left side elevational view, the right side elevational view being substantially a mirror image thereof; FIG. 5 is a rear elevational view thereof; and, FIG. 6 is a front elevational view thereof.

**1 Claim, 2 Drawing Sheets**

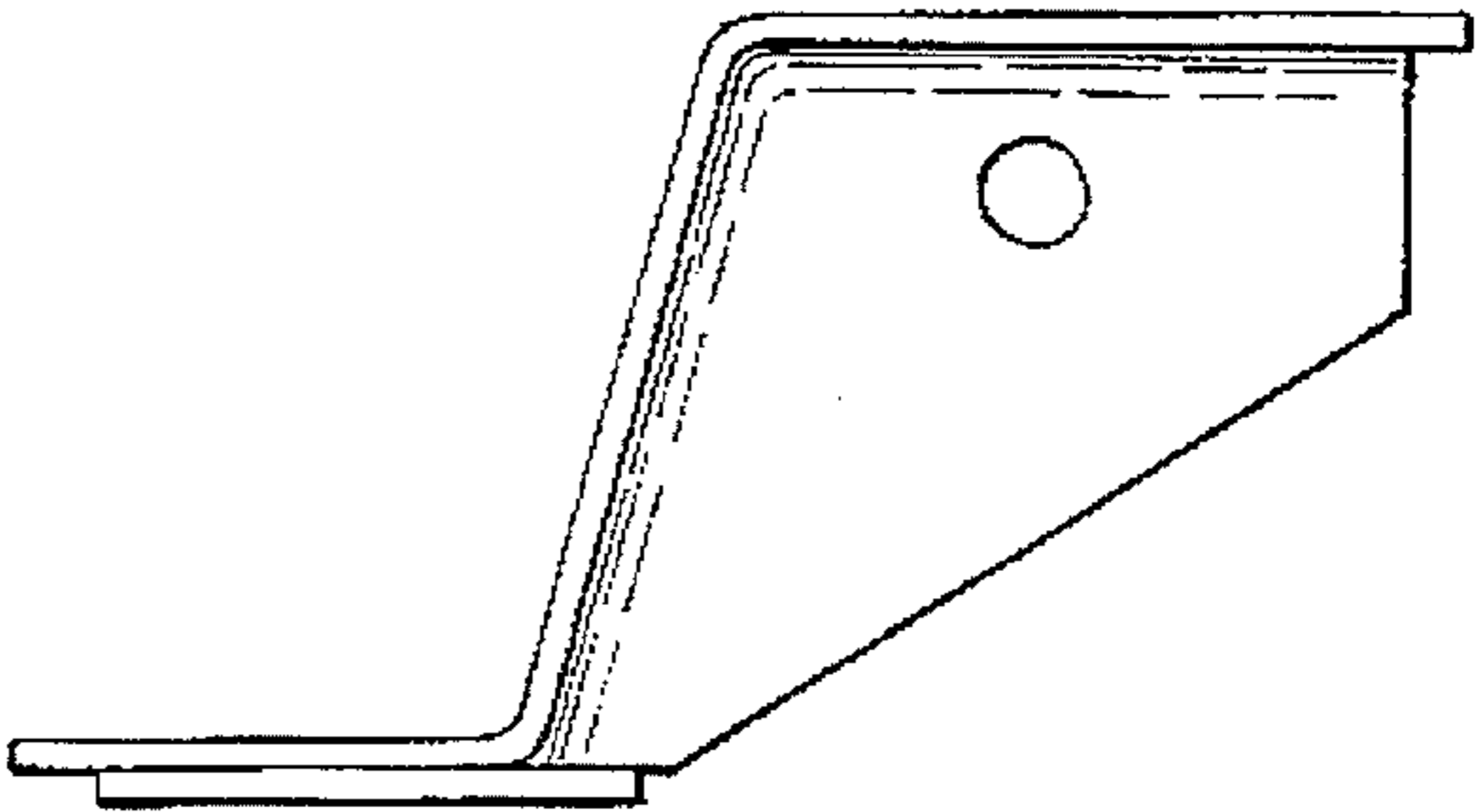




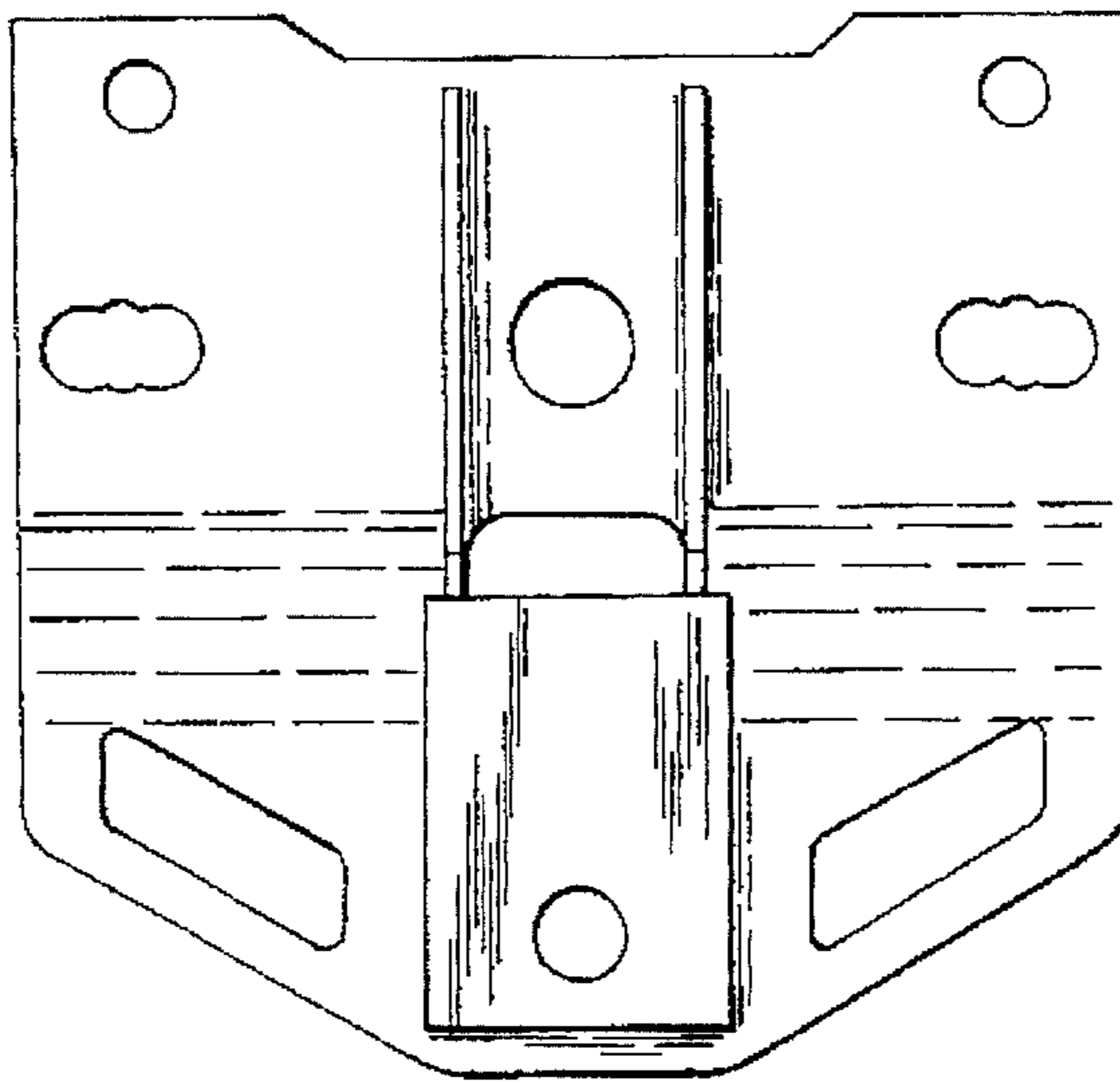
*Fig. 1*



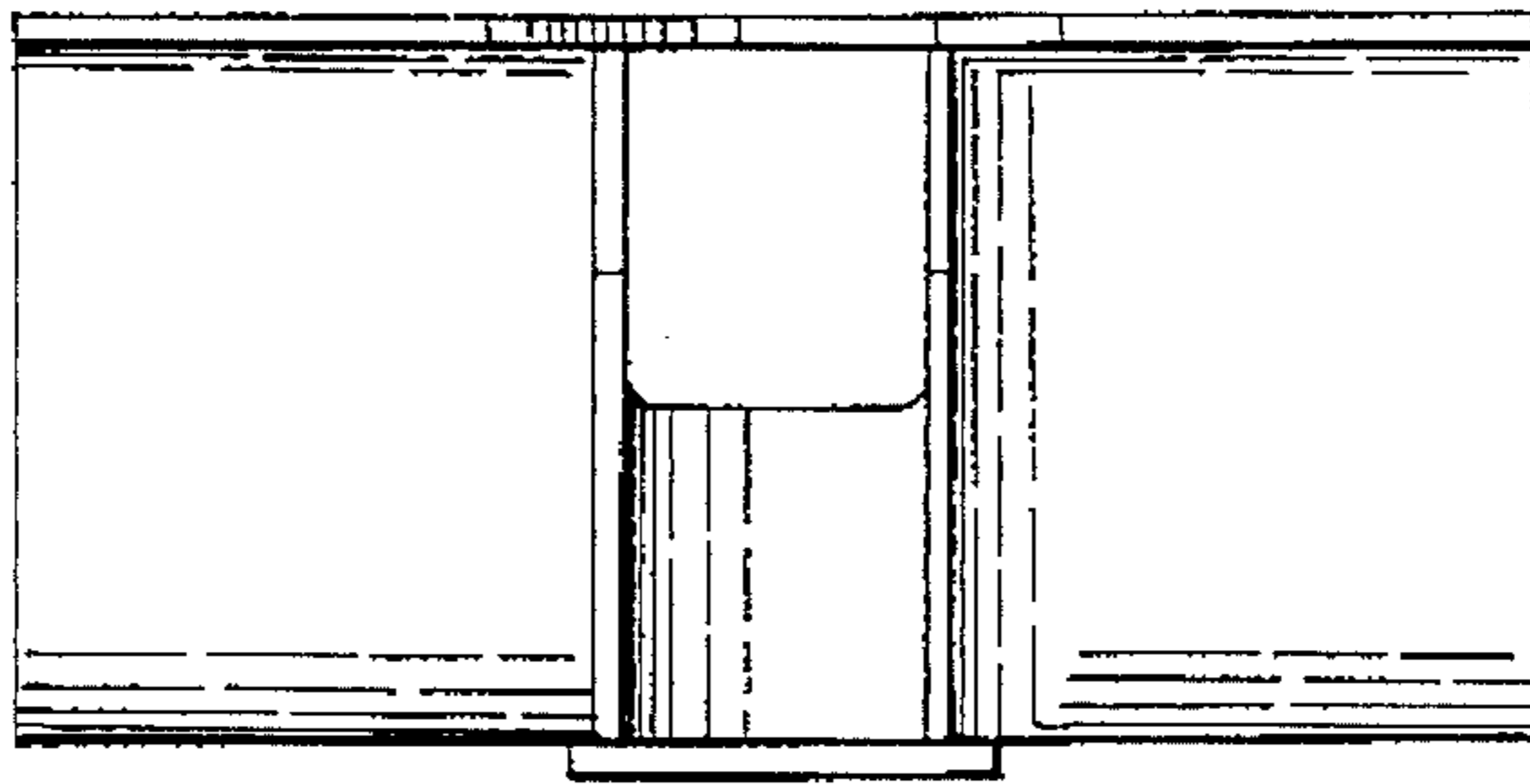
*Fig. 2*



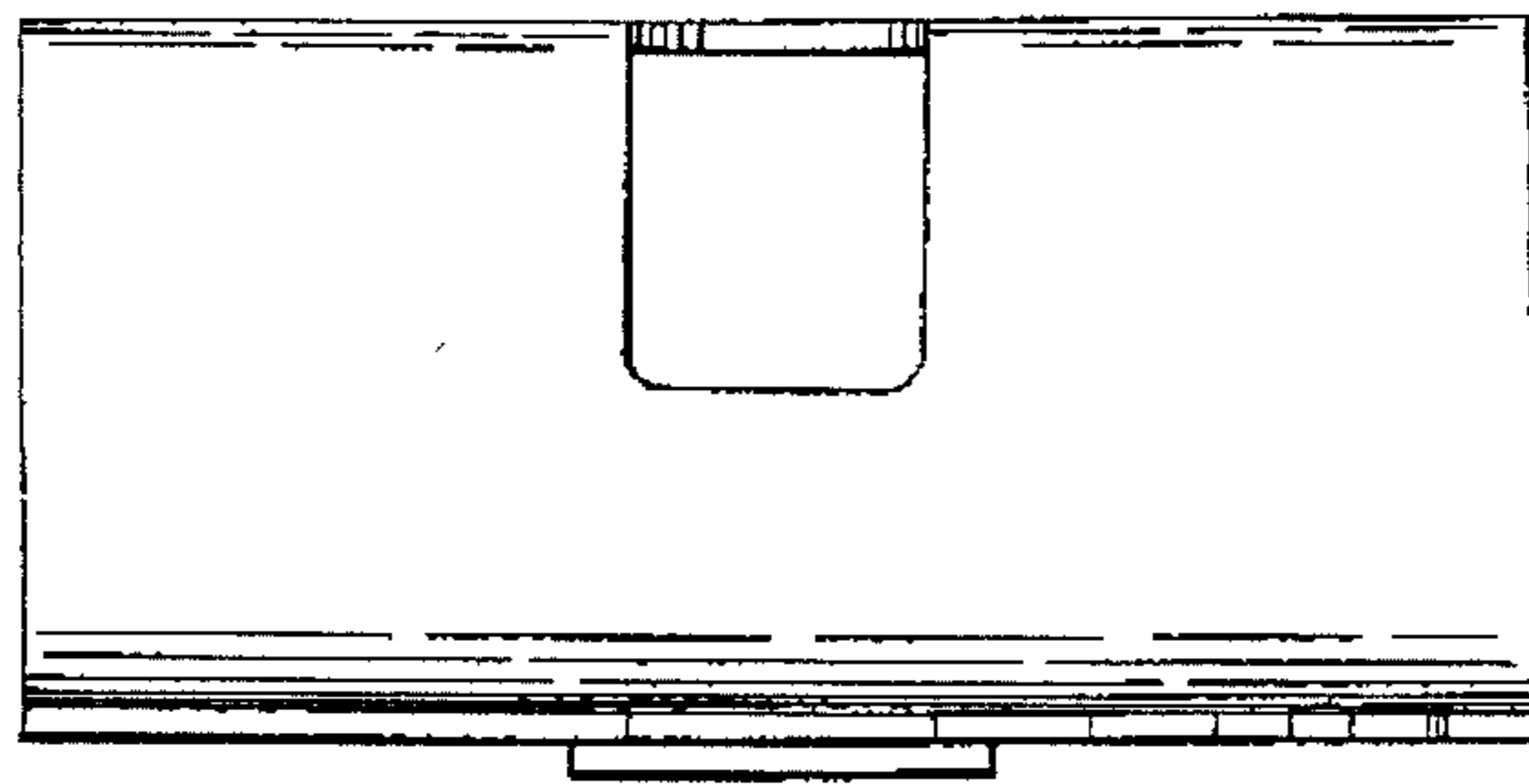
*Fig. 3*



*Fig. 3*



*Fig. 5*



*Fig. 6*