



US00D372434S

**United States Patent** [19]  
**Heary**

[11] **Patent Number: Des. 372,434**

[45] **Date of Patent: \*\*Aug. 6, 1996**

[54] **AIR TERMINAL**

[75] **Inventor: Kenneth P. Heary, Springville, N.Y.**

[73] **Assignee: Heary Bros. Lightning Protection Co., Inc., Springville, N.Y.**

[\*\*] **Term: 14 Years**

[21] **Appl. No.: 40,588**

[22] **Filed: Jun. 22, 1995**

[52] **U.S. Cl. .... D10/105**

[58] **Field of Search** ..... D10/104, 105,  
D10/121; 361/85, 86, 87, 88, 89, 90, 91,  
93, 111, 117; 174/1, 2, 3, 4 R, 4 C

[56] **References Cited**

**U.S. PATENT DOCUMENTS**

D. 42,173 2/1912 Kretzer ..... D10/105

D. 305,104 12/1989 Heary ..... D10/105  
D. 305,309 1/1990 Heary ..... D10/105  
D. 326,422 5/1992 Heary ..... D10/105  
D. 339,307 9/1993 Heary ..... D10/105

*Primary Examiner*—Marcus A. Jackson  
*Attorney, Agent, or Firm*—Bean, Kauffman & Spencer

[57] **CLAIM**

The ornamental design for an air terminal, as shown and described.

**DESCRIPTION**

FIG. 1 is a top perspective view of an air terminal showing my new design;

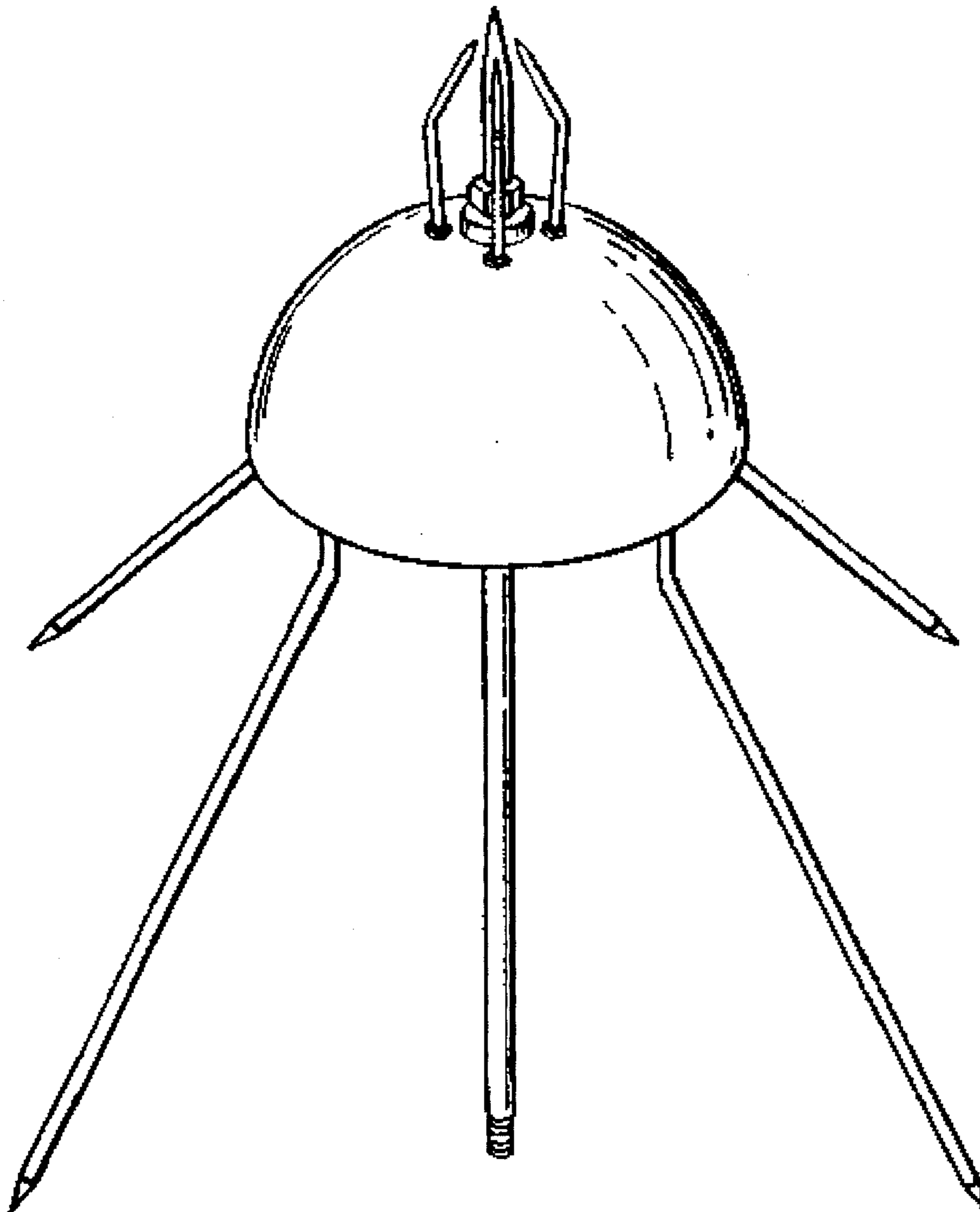
FIG. 2 is a side elevational view thereof;

FIG. 3 is a bottom plan view thereof;

FIG. 4 is a top plan view thereof; and,

FIG. 5 is a bottom perspective view thereof.

**1 Claim, 3 Drawing Sheets**



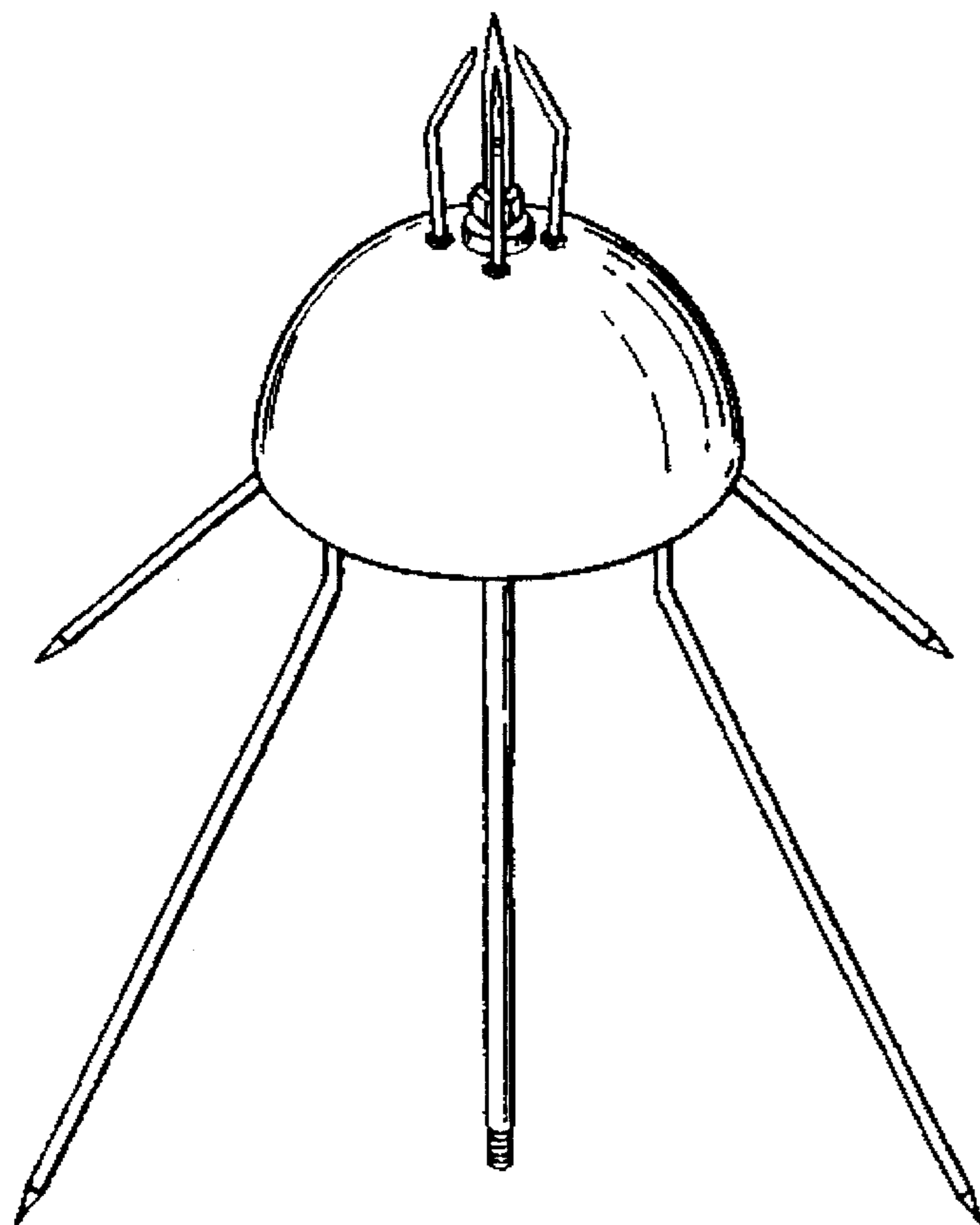


FIG. 1

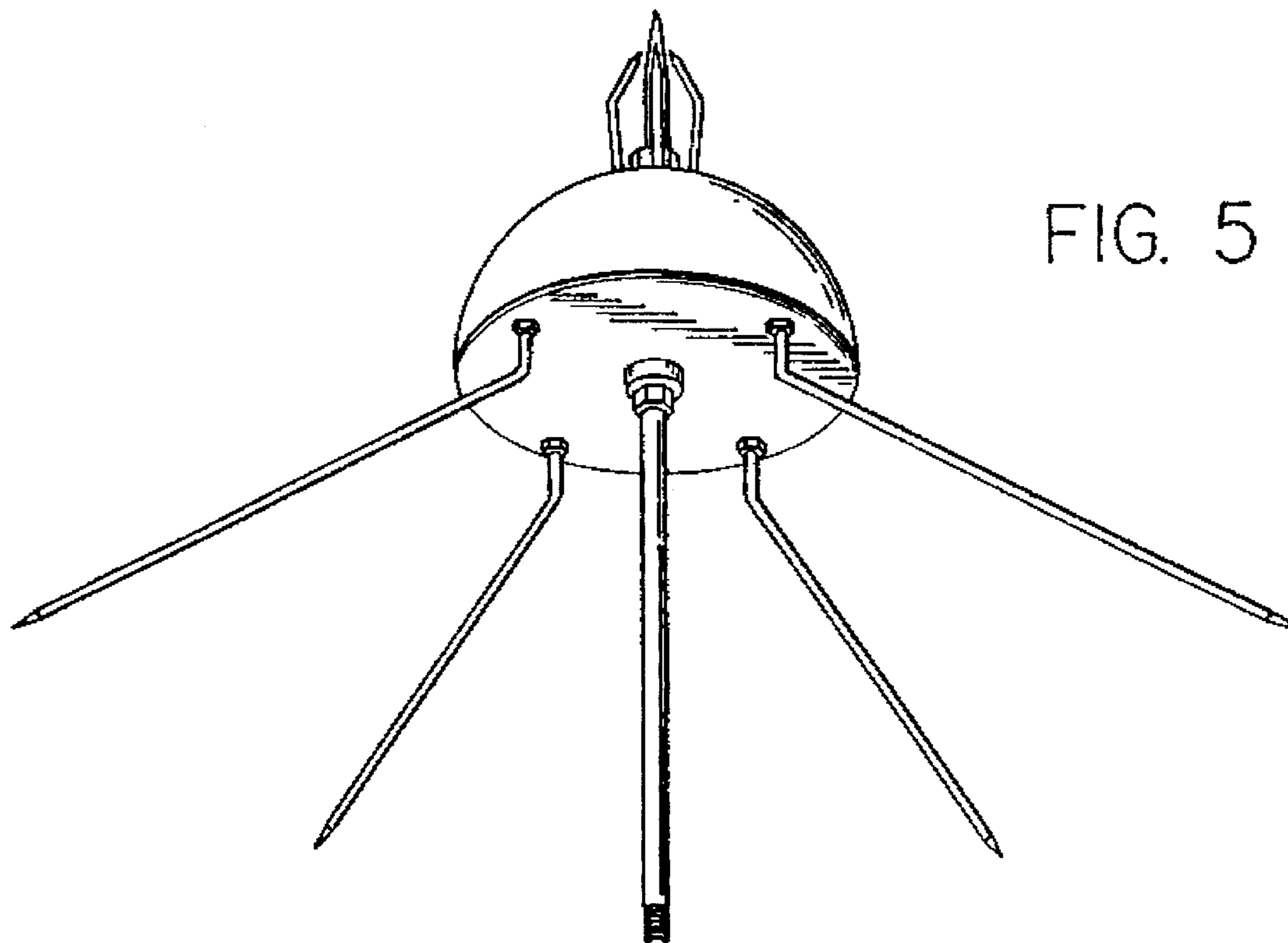


FIG. 5

FIG. 2

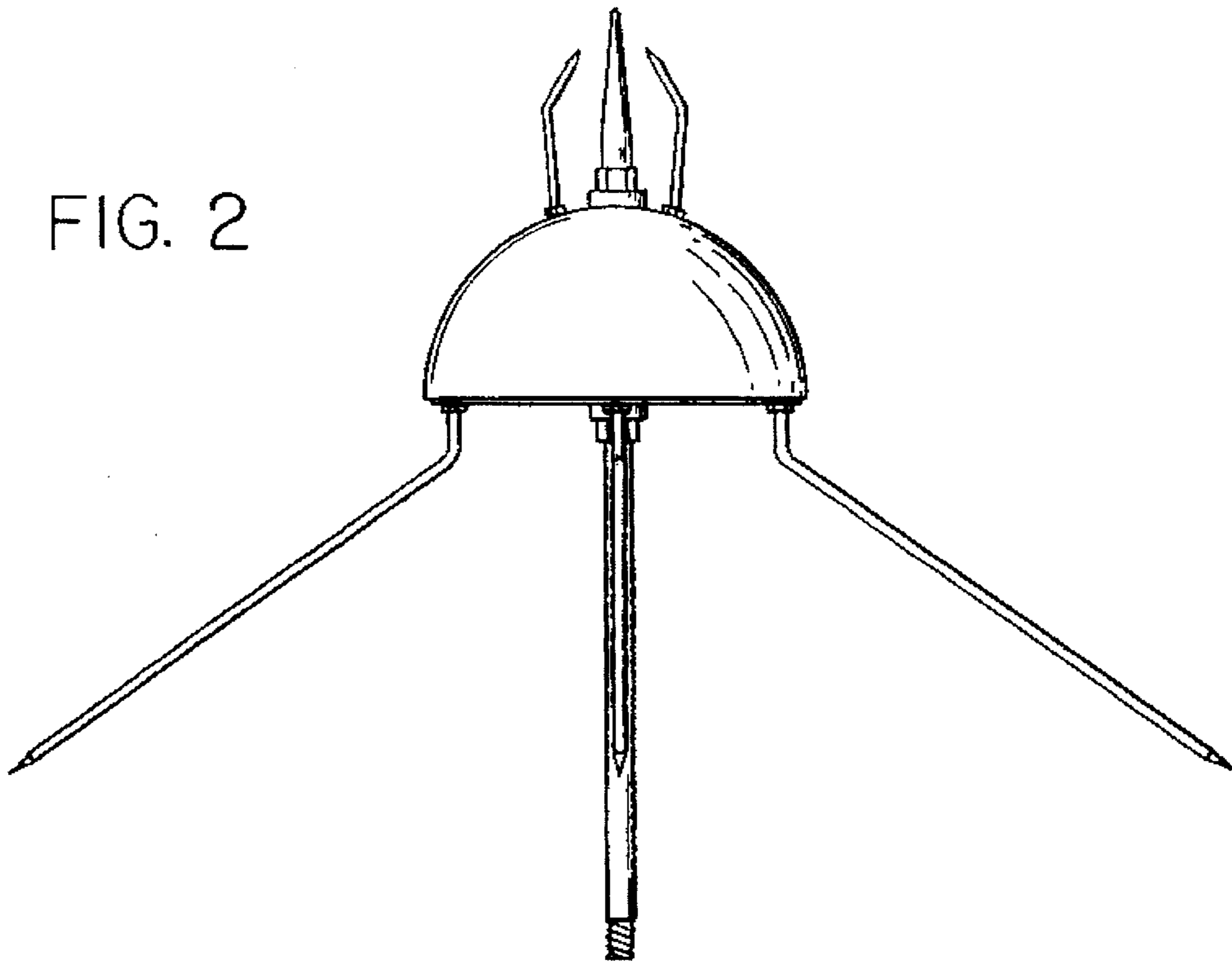


FIG. 3

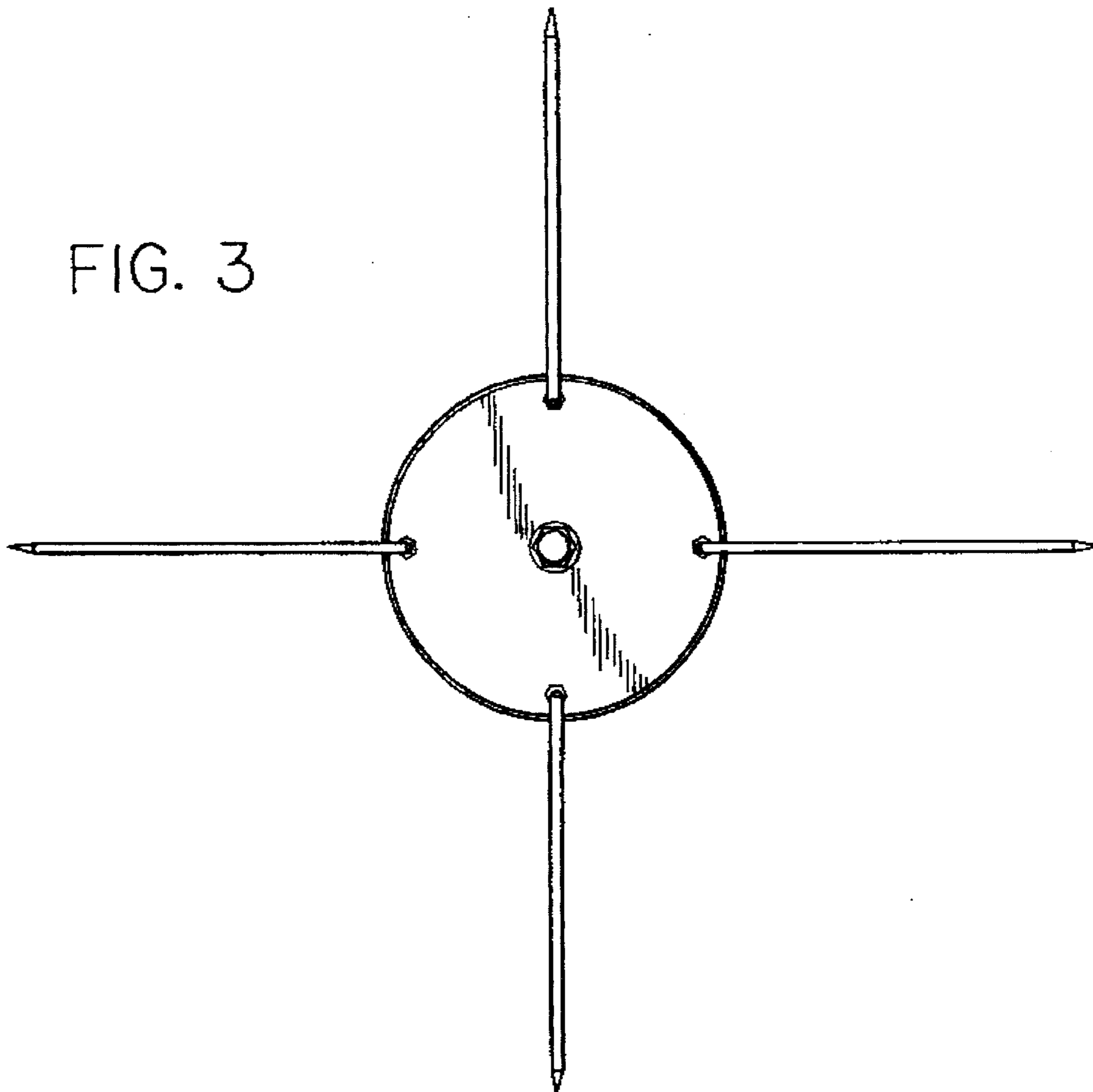


FIG. 4

