



US00D372433S

# United States Patent [19]

[11] Patent Number: **Des. 372,433**

**Brutscher et al.**

[45] Date of Patent: **\*\*Aug. 6, 1996**

[54] **TEMPLATE USED IN INSTALLING DOOR LOCKS**

[75] Inventors: **David T. Brutscher**, Louisville; **Leroy R. Leet, Sr.**, Shelbyville, both of Ky.

[73] Assignee: **Credo Tool Company**, Woodburn, Oreg.

[\*\*] Term: **14 Years**

[21] Appl. No.: **40,287**

[22] Filed: **Jun. 14, 1995**

[52] U.S. Cl. .... **D10/64**

[58] **Field of Search** ..... D10/64, 65; 29/437; 70/466; 292/144, 341.19, DIG. 17; 408/72, 97, 103, 188, 114, 115 R

[56] **References Cited**

**U.S. PATENT DOCUMENTS**

D. 356,271	3/1995	Adamik et al. ....	D10/64 X
4,280,776	7/1981	Chaconas et al. ....	408/72
4,583,889	4/1986	Fallon .....	408/115 R
4,715,125	12/1987	Livick .....	408/115 R X
4,893,970	1/1990	Becroft .....	408/72
5,116,170	5/1992	Palmer et al. ....	408/72
5,222,845	6/1993	Goldstein et al. ....	408/103

*Primary Examiner*—Antoine Duval Davis  
*Attorney, Agent, or Firm*—Middleton & Reutlinger; James C. Eaves, Jr.

[57] **CLAIM**

The ornamental design for a template used in installing door locks, as shown and described.

**DESCRIPTION**

FIG. 1 is a front left side elevational perspective view of a template used in installing door locks showing our new design;

FIG. 2 is a perspective view of the side bracket of the template of FIG. 1;

FIG. 3 is a right end view of the side bracket of FIG. 2;

FIG. 4 is a front plan view of the side bracket of FIG. 2;

FIG. 5 is a left end view of the side bracket of FIG. 2;

FIG. 6 is a bottom end view of the side bracket of FIG. 2;

FIG. 7 is a back plan view of the side bracket of FIG. 2;

FIG. 8 is a perspective view of the front bracket of the template of FIG. 1;

FIG. 9 is a right end view of the front bracket of FIG. 8;

FIG. 10 is a front plan view of the front bracket of FIG. 8;

FIG. 11 is a left end view of the front bracket of FIG. 8;

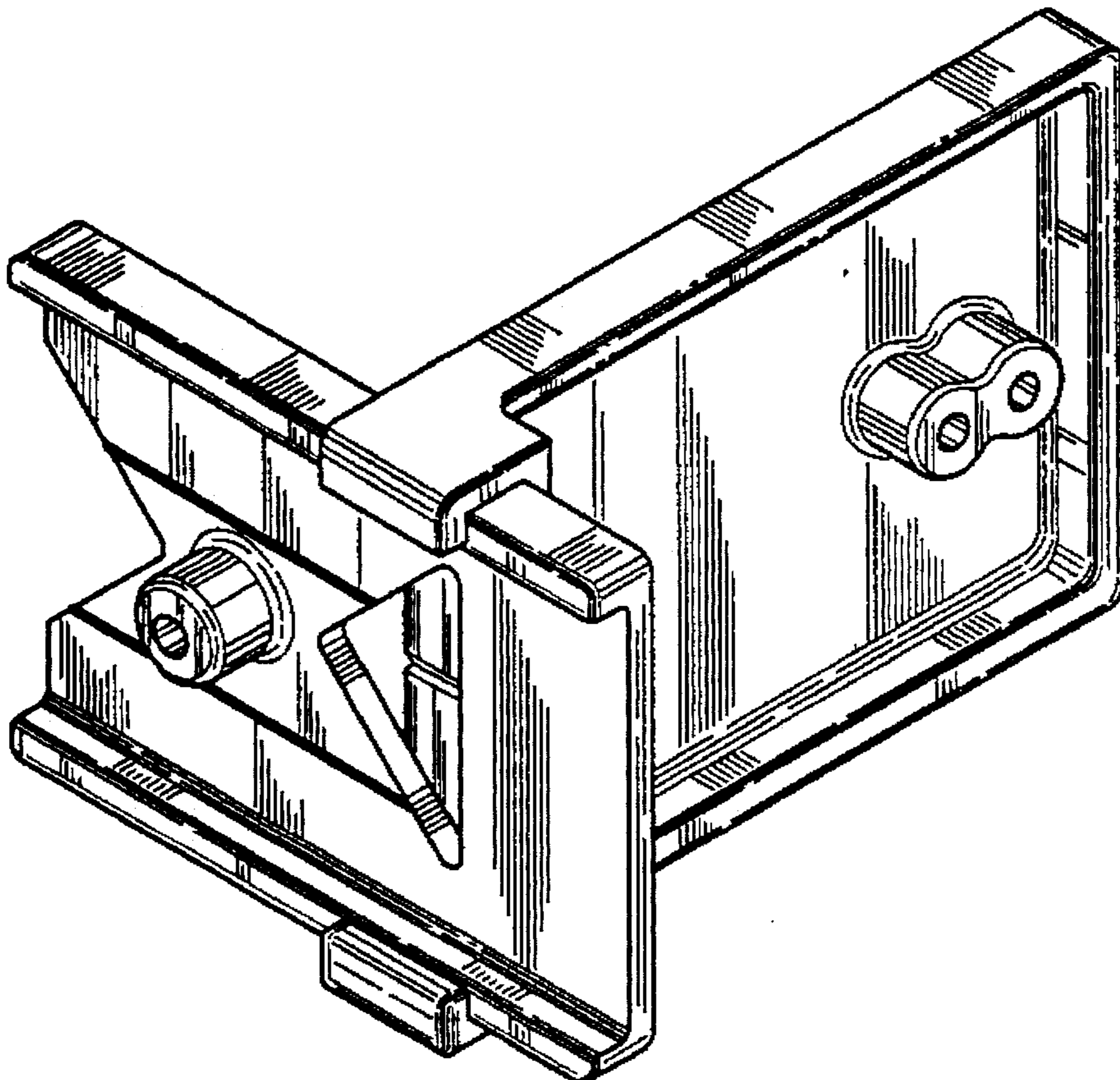
FIG. 12 is a bottom end view of the front bracket of FIG. 8;

and,

FIG. 13 is a back plan view of the front bracket of FIG. 8.

For ease of illustration, the front bracket is not shown in figure drawings 2-7 while the side bracket is not shown in figure drawings 8-13.

**1 Claim, 3 Drawing Sheets**



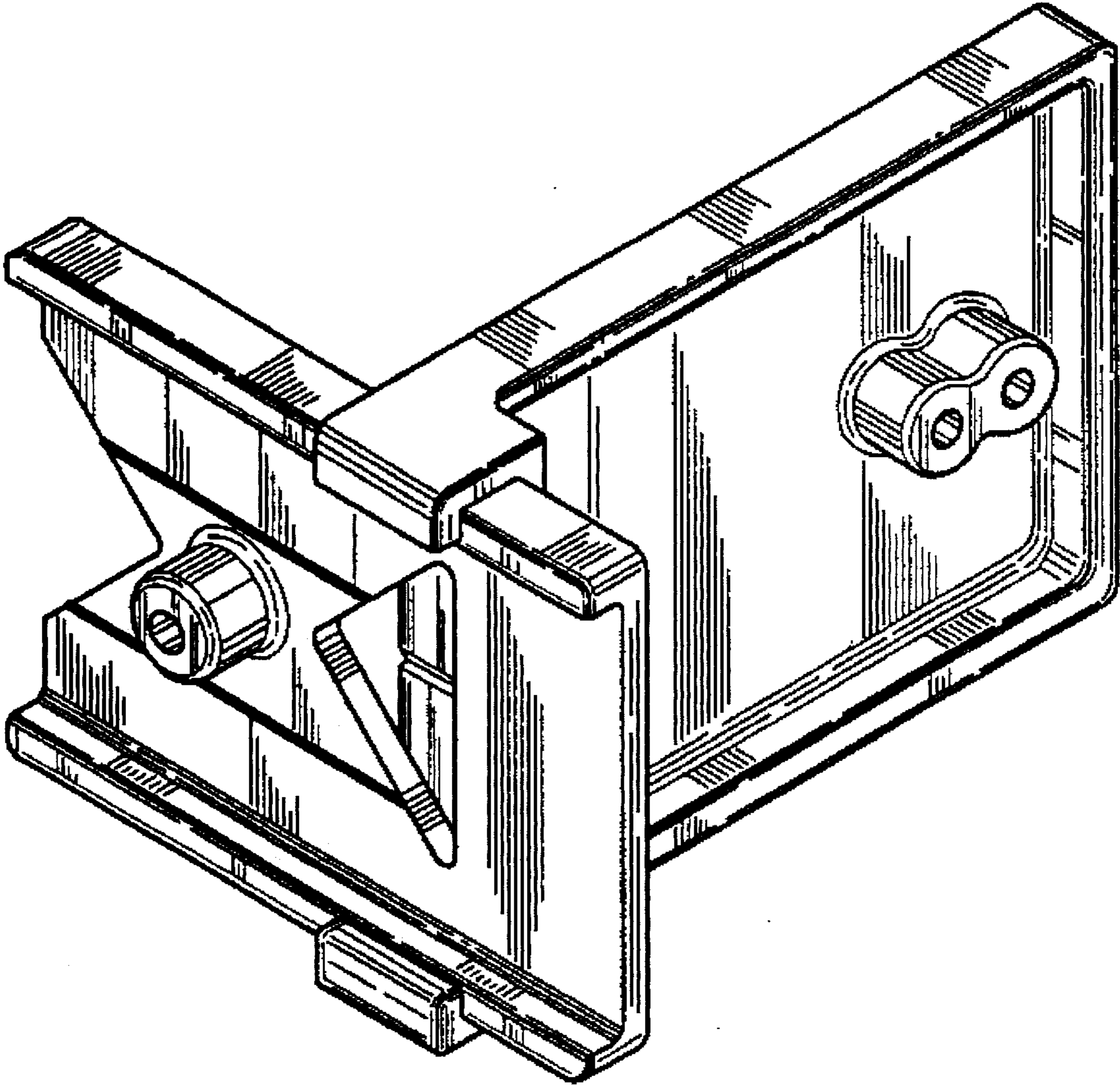


FIG. 1

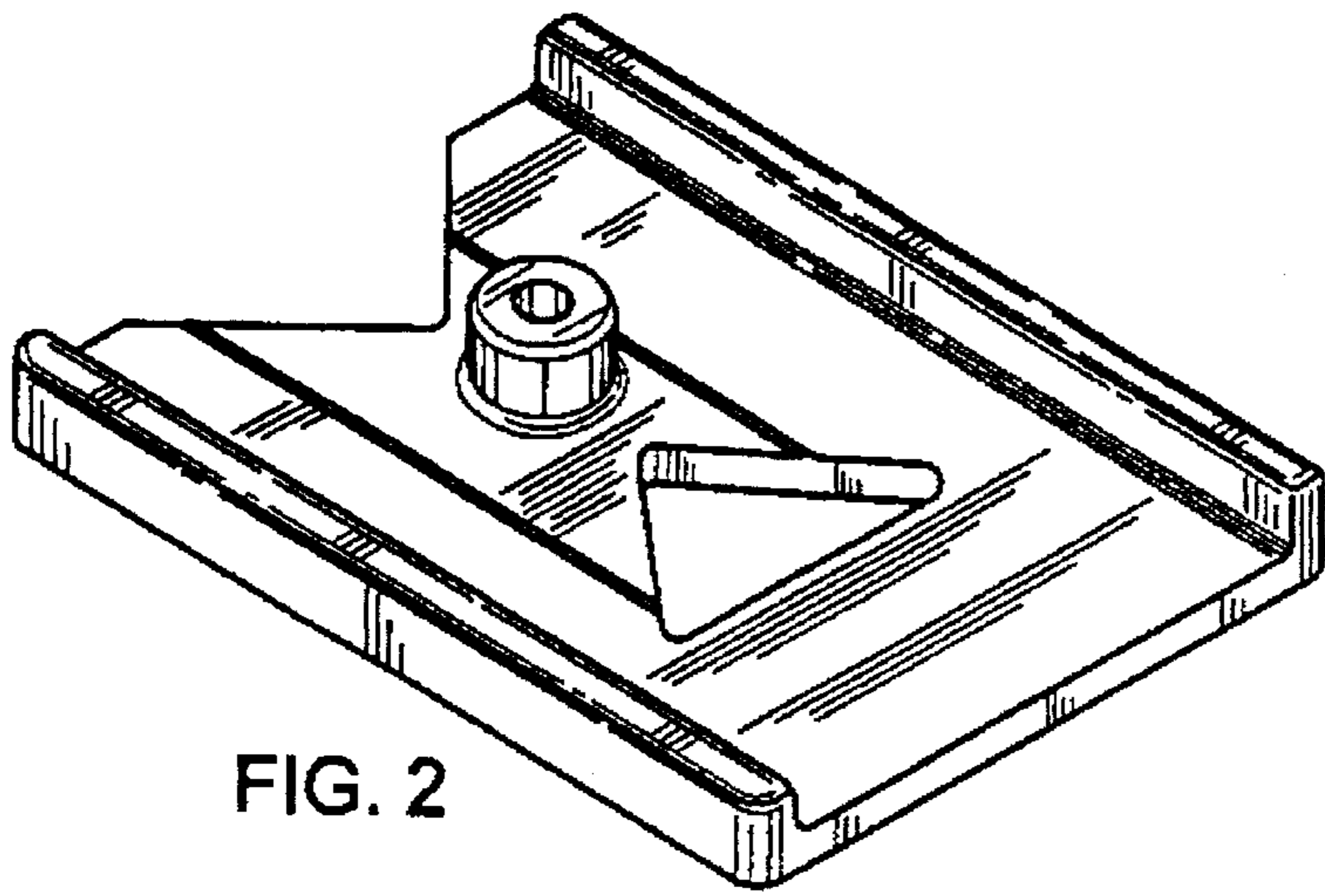


FIG. 2



FIG. 3

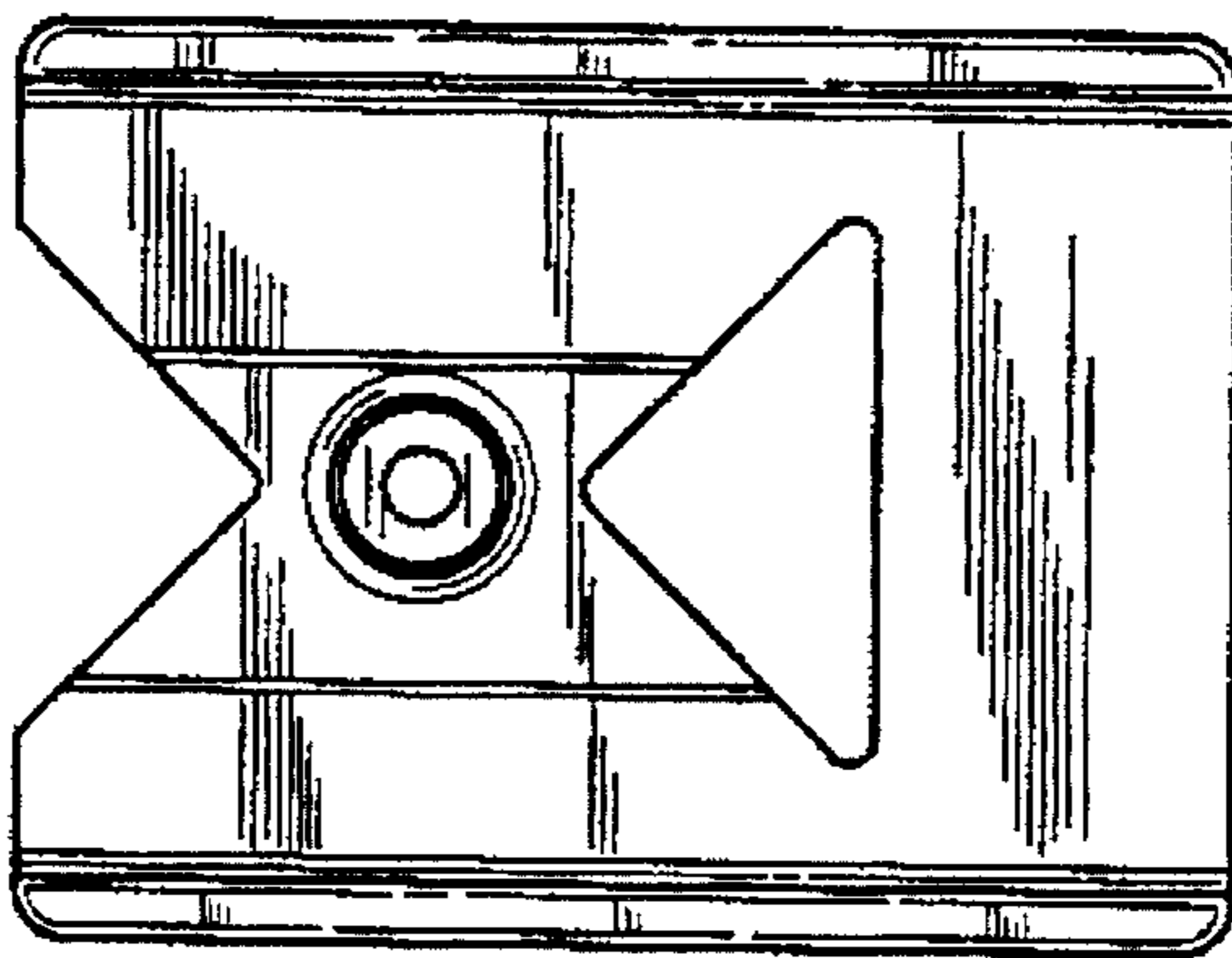


FIG. 4

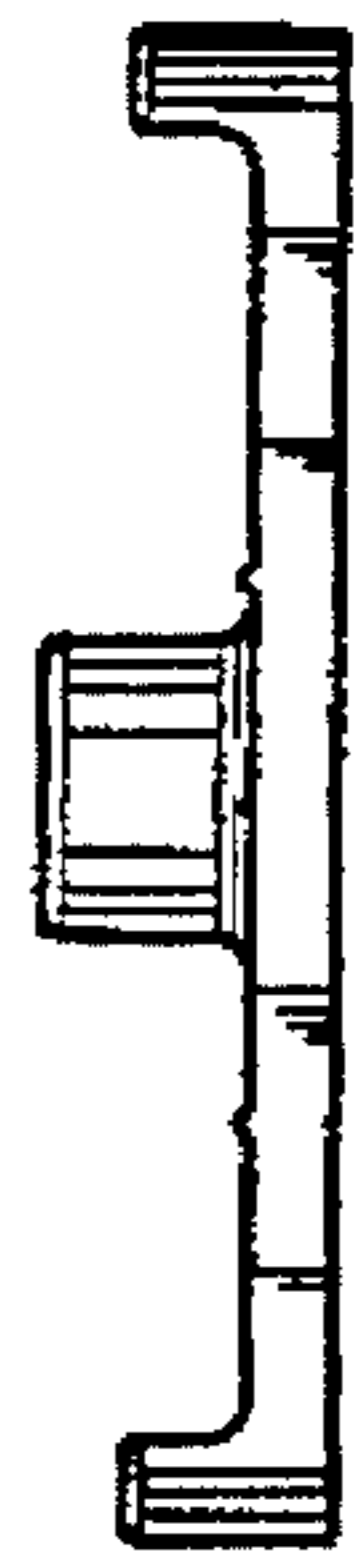


FIG. 5

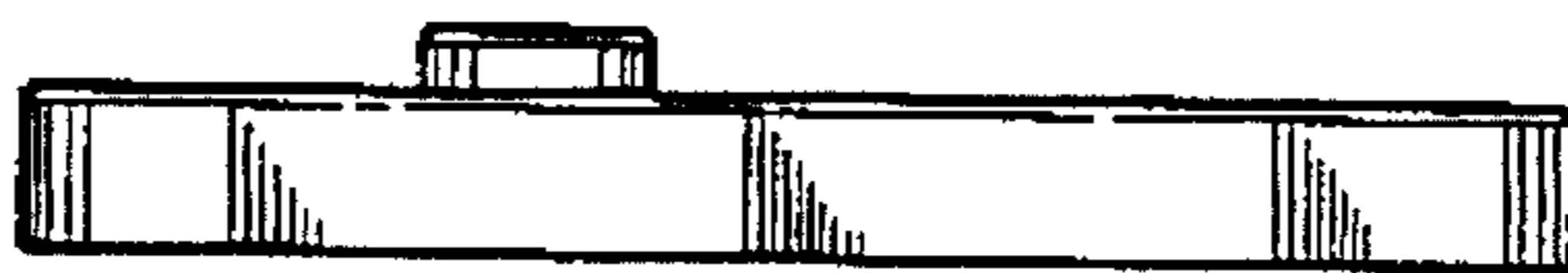


FIG. 6

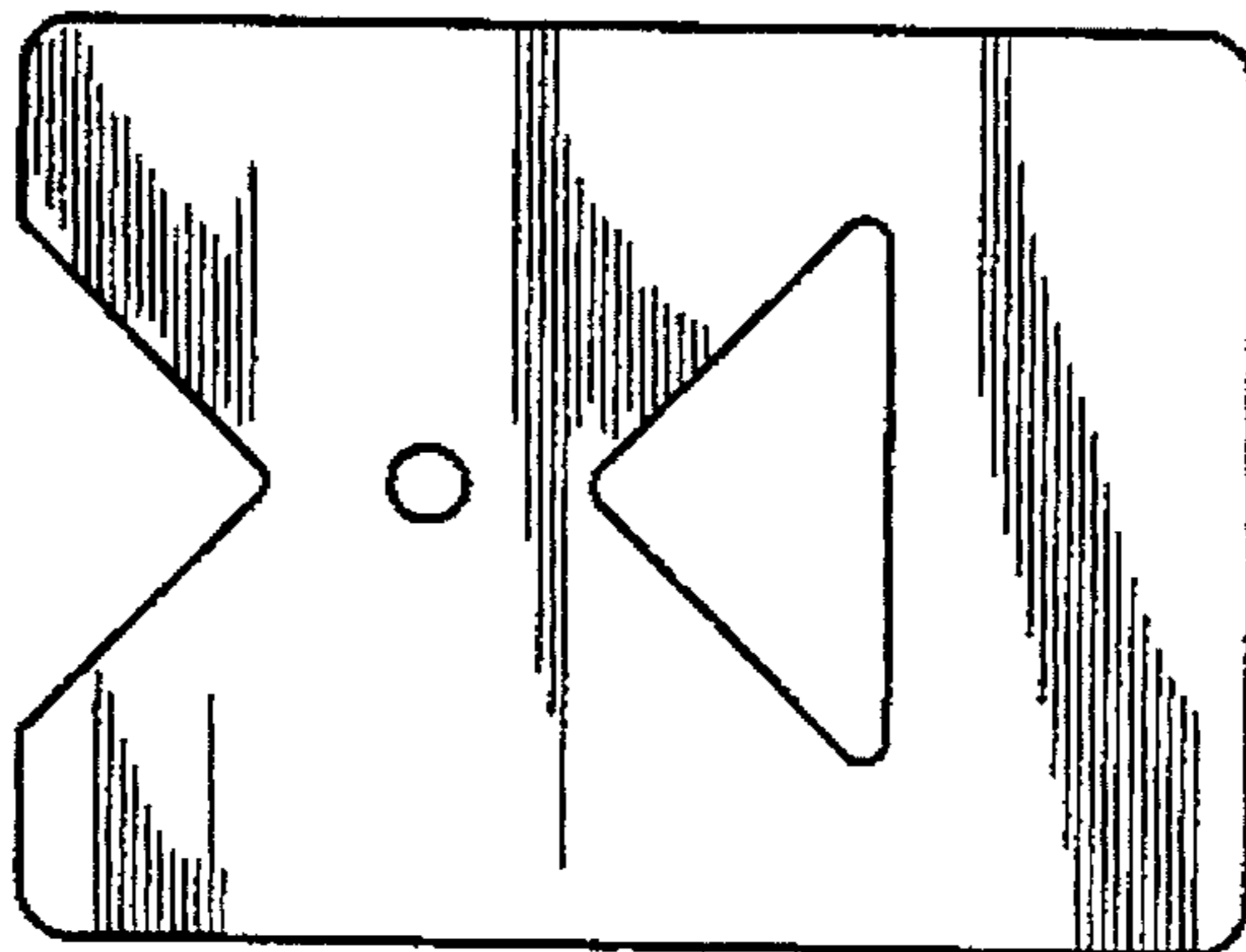


FIG. 7



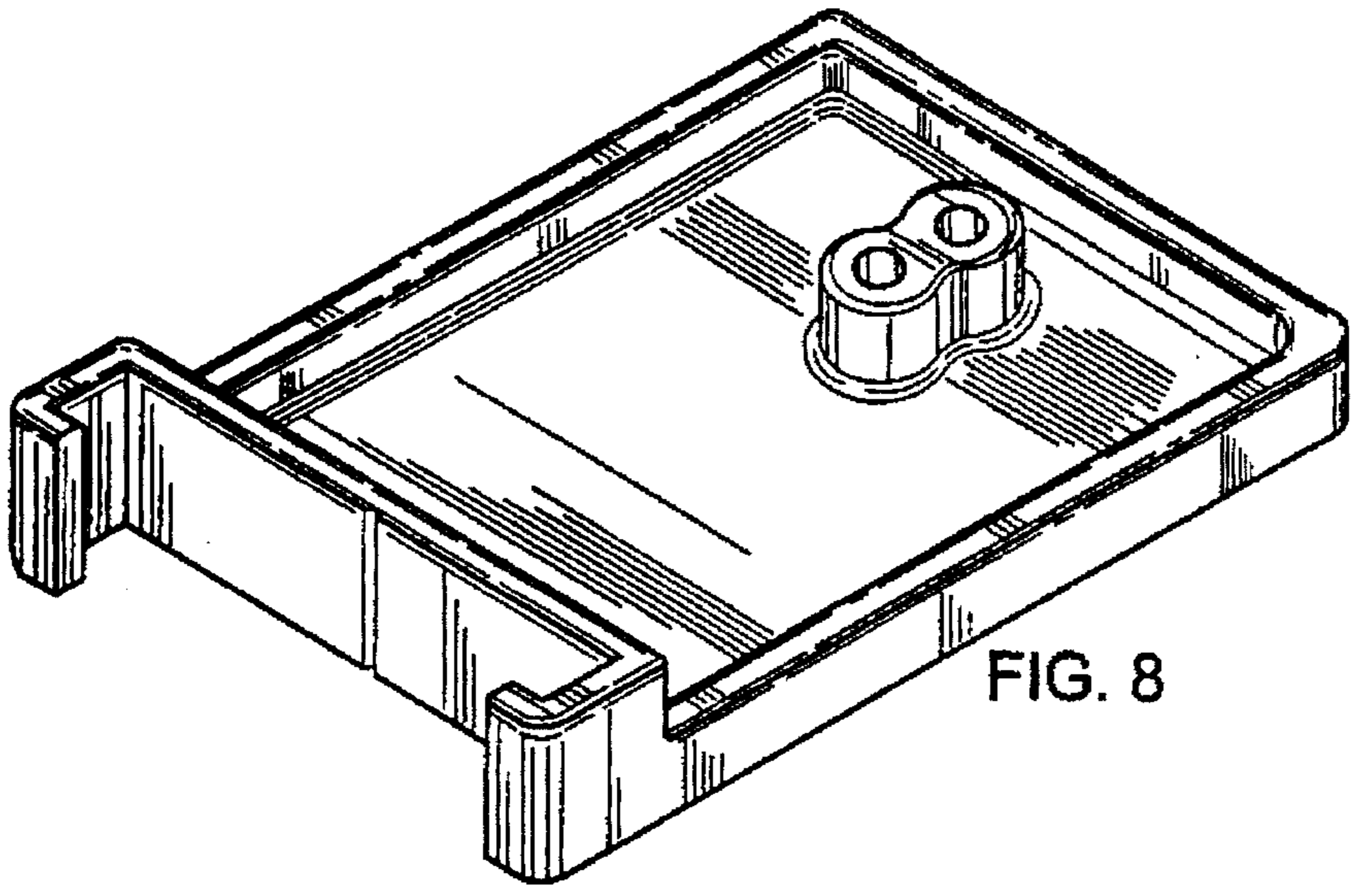


FIG. 8



FIG. 9

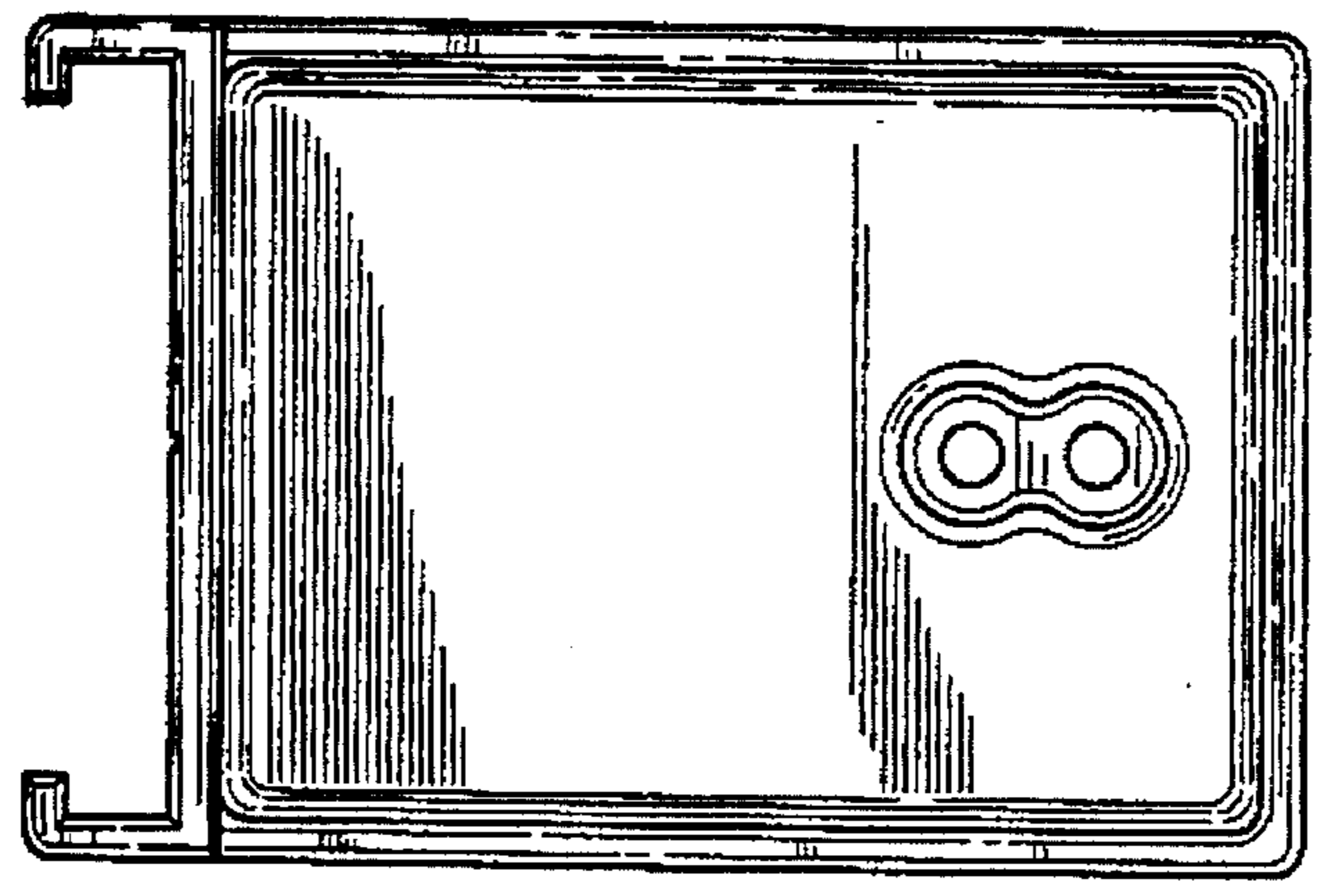


FIG. 10

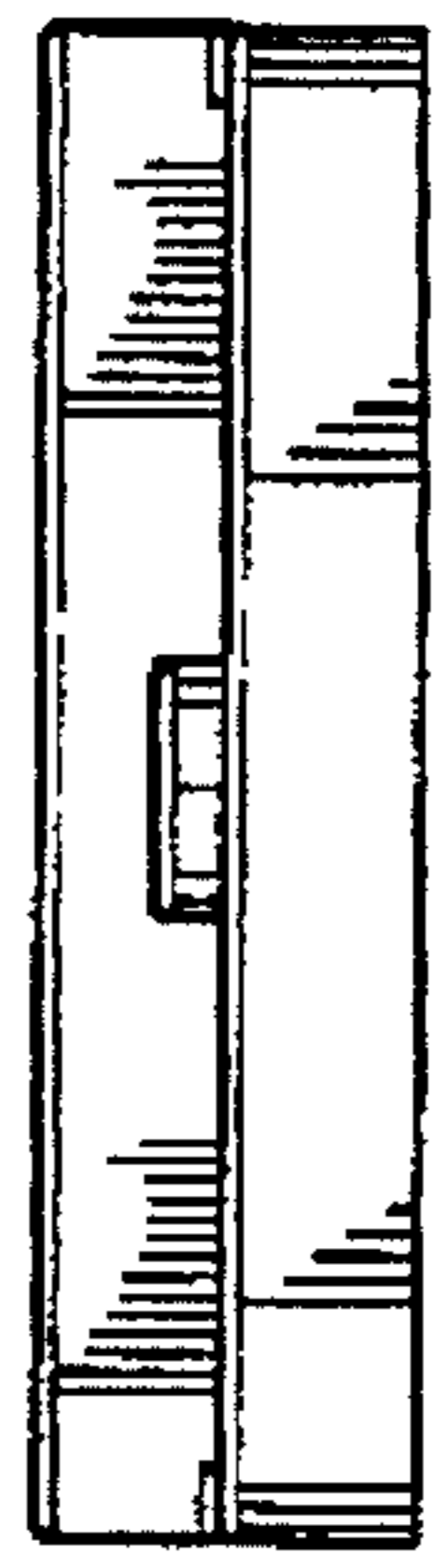


FIG. 11



FIG. 12

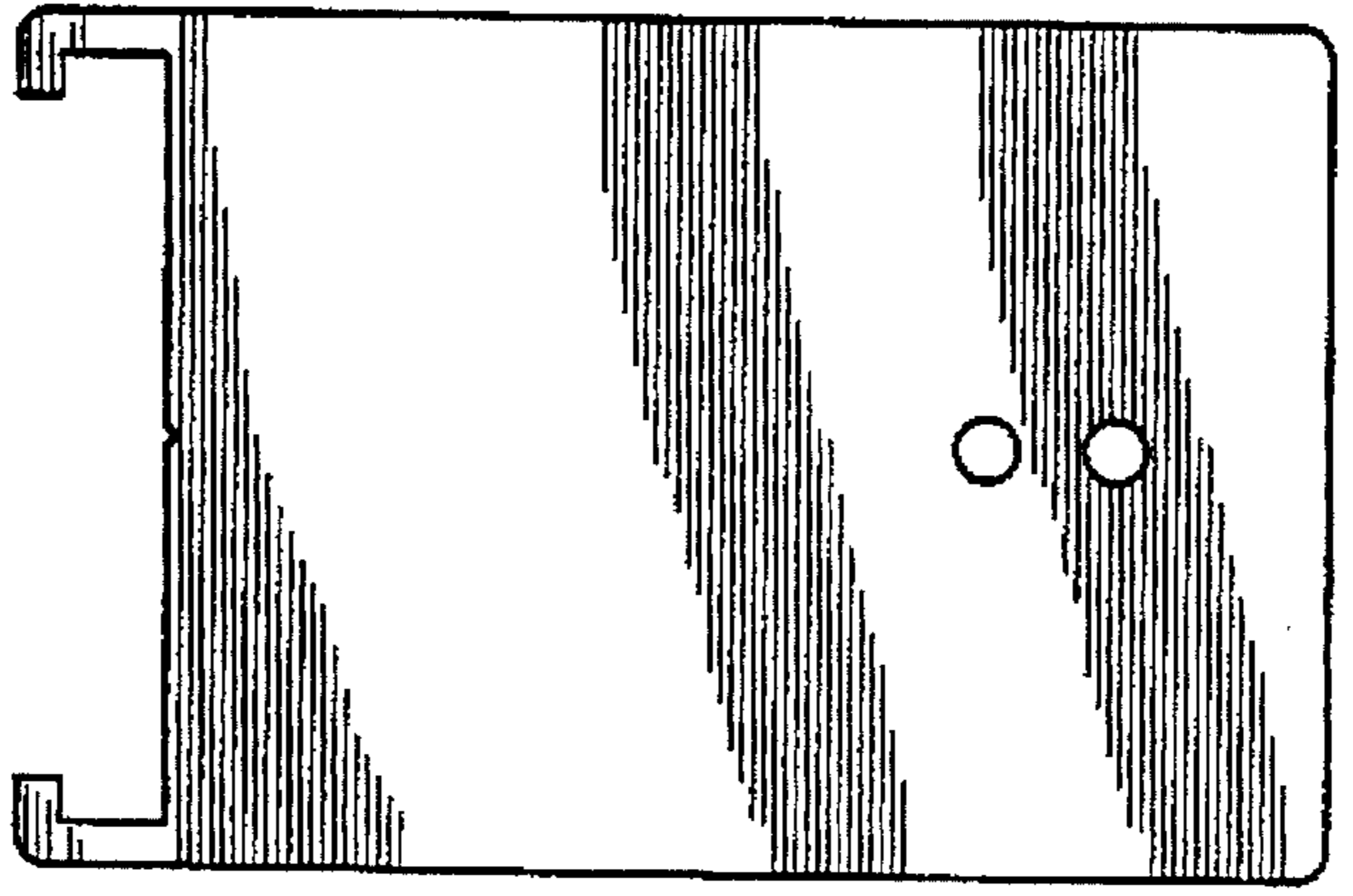


FIG. 13