



US00D372432S

United States Patent [19]

[11] Patent Number: **Des. 372,432**

Sawano

[45] Date of Patent: ****Aug. 6, 1996**

[54] **CUTTER WITH RULER**

4,987,812 1/1991 Benavidez 83/455
5,337,484 8/1994 Cardon 33/566 X

[75] Inventor: **Kazuyo Sawano**, Kyoto, Japan

Primary Examiner—Antoine Duval Davis
Attorney, Agent, or Firm—Rader, Fishman & Grauer PLLC

[73] Assignee: **Kyoto Measuring Instruments Corp.**,
Japan

[57] **CLAIM**

[**] Term: **14 Years**

The ornamental design for cutter with ruler, as shown and described.

[21] Appl. No.: **34,627**

DESCRIPTION

[22] Filed: **Feb. 9, 1995**

[52] U.S. Cl. **D10/62**; D10/71

[58] **Field of Search** D8/98, 105; D10/62,
D10/71; D19/35-37, 72; 33/563, 1 B, 566,
DIG. 9, 32.2, 32.3, 42, 476, 527, 562, DIG. 20,
483, 484; 83/455, 468, 564, 581, 614, 522.11,
467.1, 468.1, 581, 522.19

FIG. 1 is a front side perspective view of the cutter with ruler of the present invention;

FIG. 2 is a front plan view of the cutter with ruler of FIG. 1;

FIG. 3 is a rear plan view of the cutter with ruler of FIG. 1;

FIG. 4 is a left side plan view of the cutter with ruler of FIG. 1;

FIG. 5 is a right side plan view of the cutter with ruler of FIG. 1;

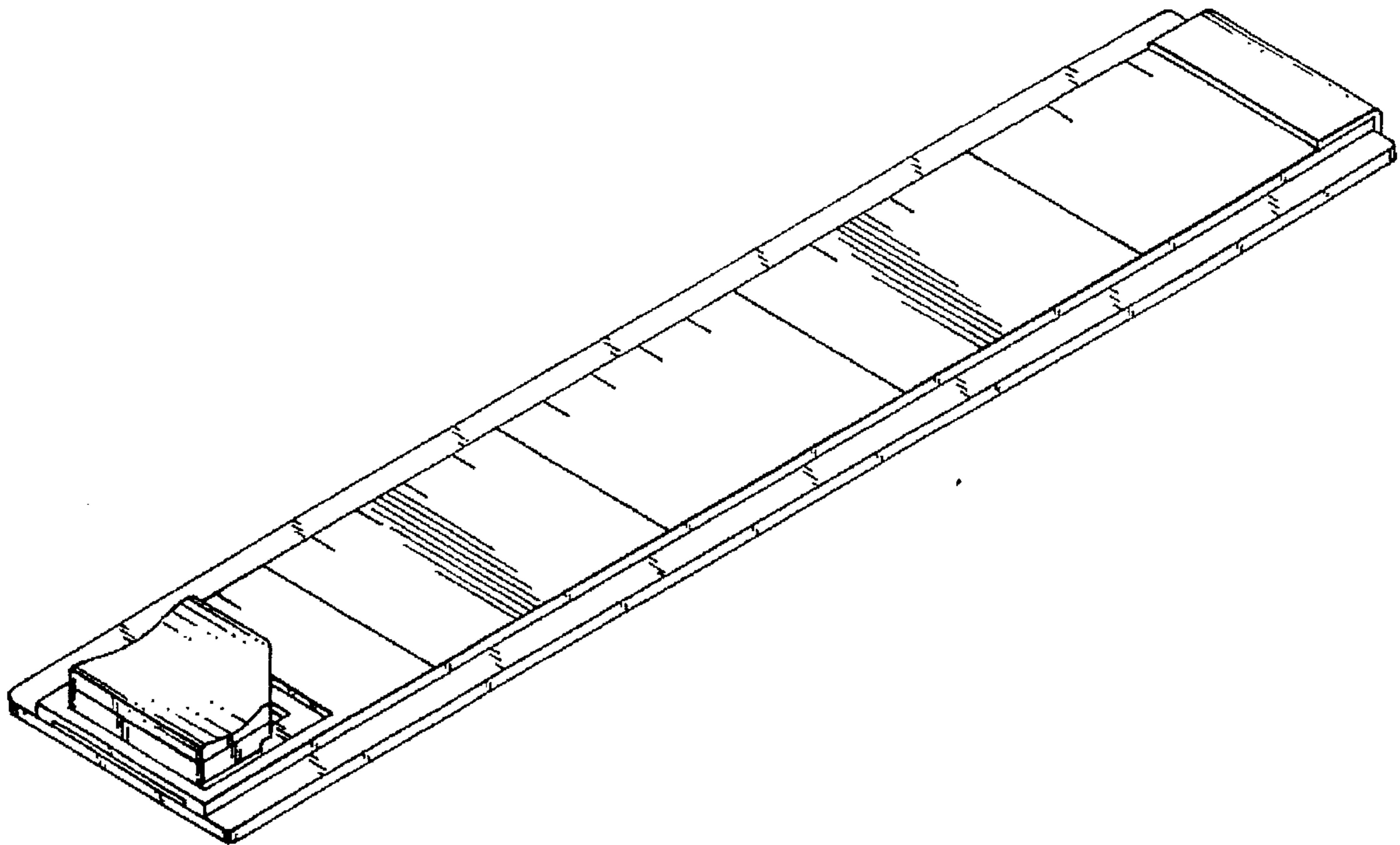
FIG. 6 is a top view of the cutter with ruler of FIG. 1; and,
FIG. 7 is a bottom view of the cutter with ruler of FIG. 1.

[56] **References Cited**

U.S. PATENT DOCUMENTS

D. 351,858 10/1994 Jones D10/71 X
4,429,461 2/1984 Glavic 33/527 X
4,505,039 3/1985 Donovan 33/527 X

1 Claim, 2 Drawing Sheets



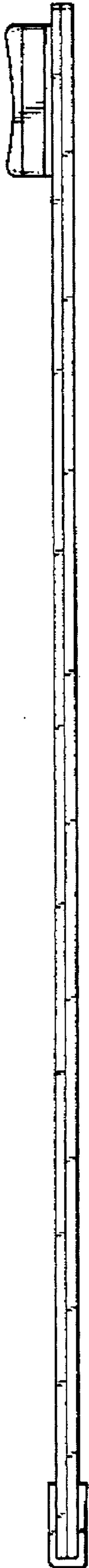


FIG. 3

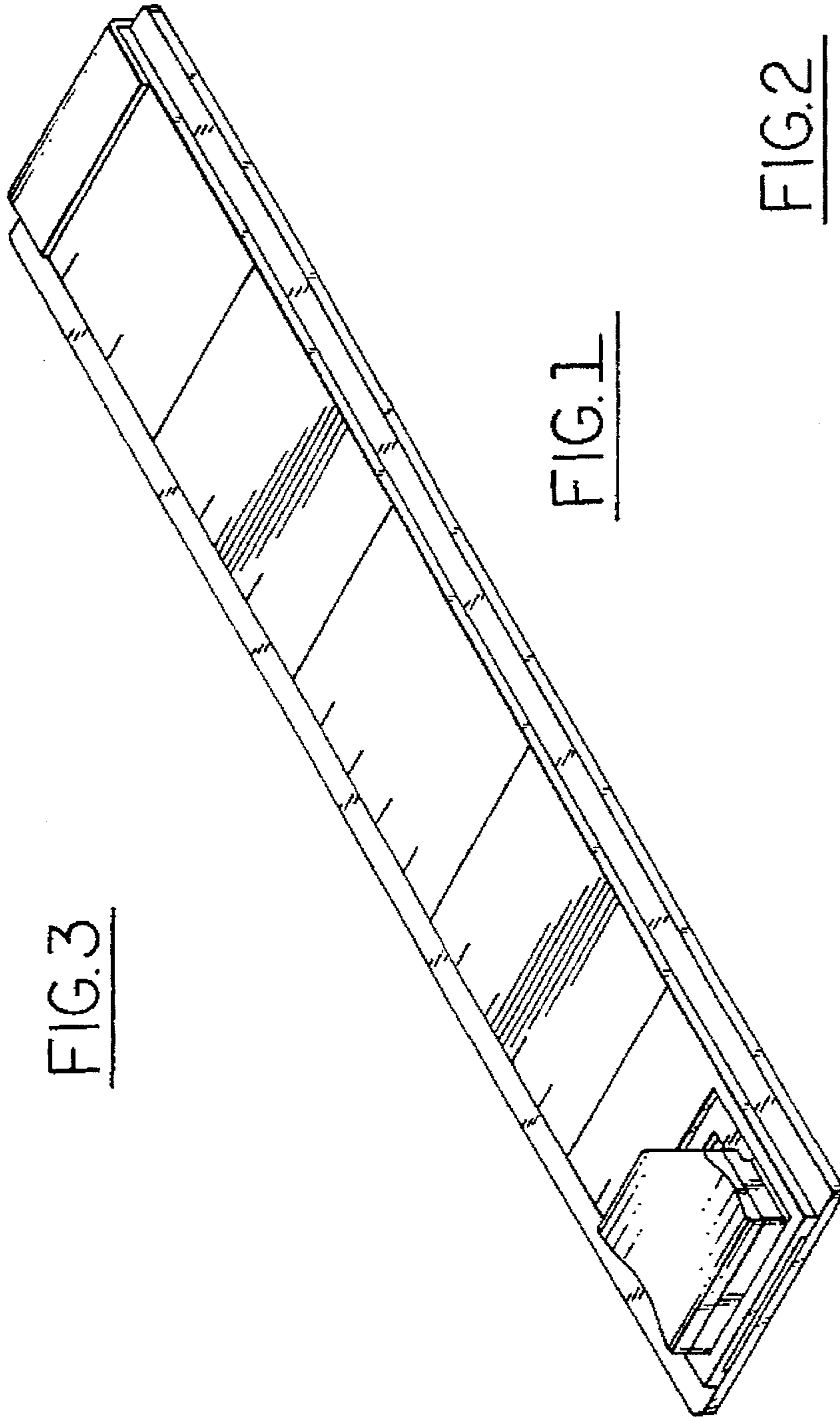


FIG. 1

FIG. 2



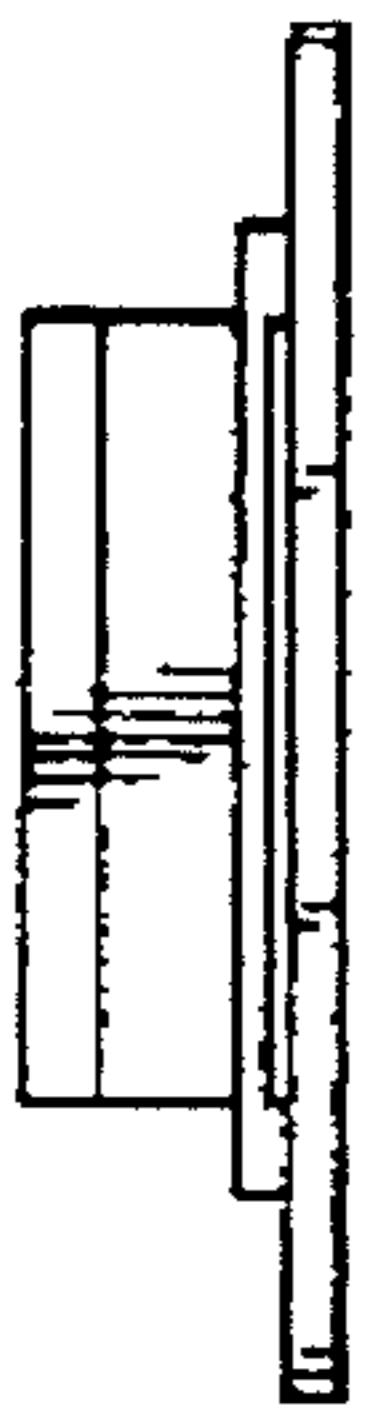


FIG. 4



FIG. 5

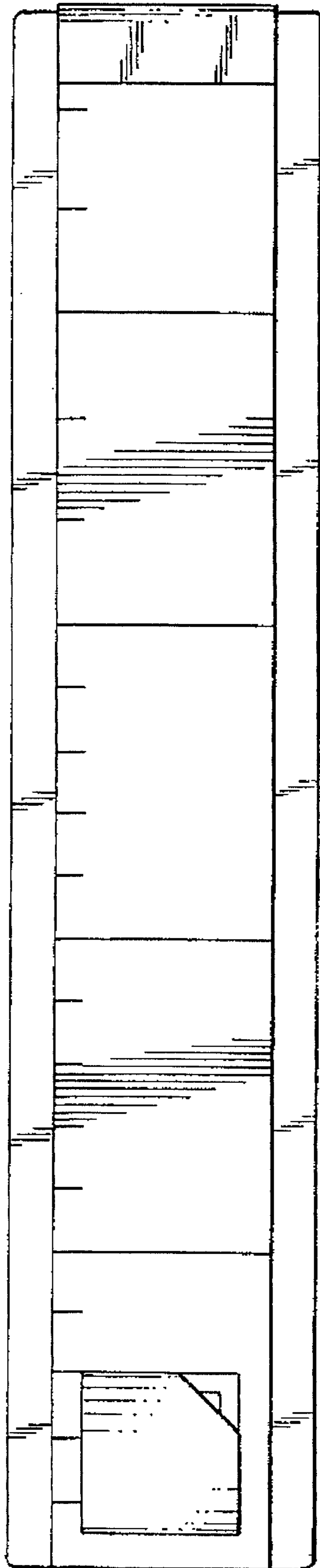


FIG. 6

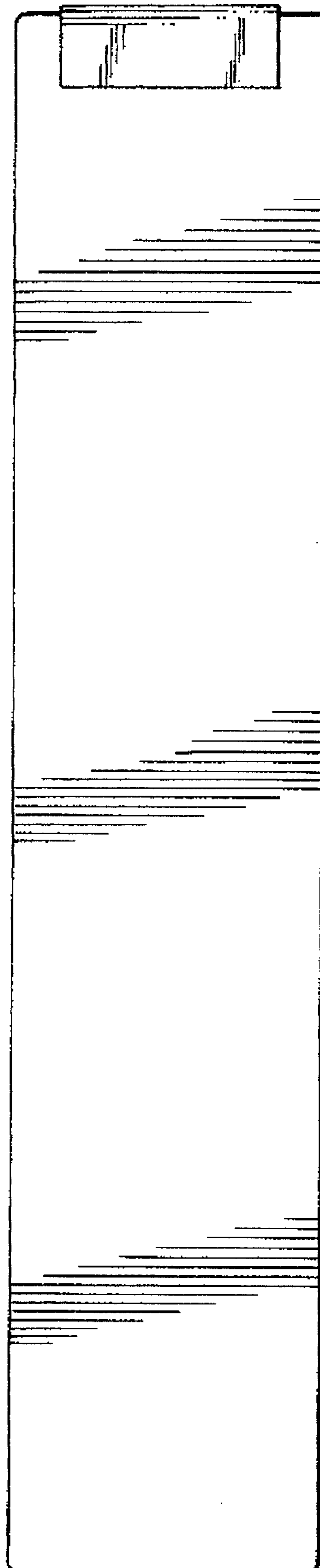


FIG. 7