



US00D372427S

# United States Patent [19]

Jago et al.

[11] Patent Number: Des. 372,427

[45] Date of Patent: \*\*Aug. 6, 1996

[54] BOTTLE

D. 338,834 8/1993 Paju ..... D9/545

[75] Inventors: **Thomas E. Jago; Gerald L. Barney,**  
both of London, United Kingdom

### FOREIGN PATENT DOCUMENTS

342998 2/1931 United Kingdom .

[73] Assignee: **Chivas Brothers Limited,** Paisley,  
Scotland

### OTHER PUBLICATIONS

Liquor Store Magazine, Package Power, Winter 1975, p.  
155, Roma burgundy bottle Y3775LW.

Liquor Store Magazine, Package Power, Summer 1975, p.  
156, Gallo Chablis Blanc bottle V5975LS.

[\*\*] Term: **14 Years**

[21] Appl. No.: **39,689**

*Primary Examiner*—Lucy Lieberman  
*Attorney, Agent, or Firm*—Kane, Dalsimer, Sullivan,  
Kurucz, Levy, Eisele and Richard, LLP

[22] Filed: **Jun. 2, 1995**

### [30] Foreign Application Priority Data

Dec. 9, 1994 [GB] United Kingdom ..... 2043817

[52] U.S. Cl. .... **D9/500; D9/521; D9/545**

[58] Field of Search ..... D9/500, 503, 505,  
D9/545, 521, 520, 501, 517; 215/382, 400

### [57] CLAIM

The ornamental design for a bottle, as shown and described.

### [56] References Cited

#### U.S. PATENT DOCUMENTS

- D. 21,192 12/1891 Van Houten ..... D9/505
- D. 63,796 1/1924 Mulholland ..... D9/521 X
- D. 209,951 1/1968 Smith ..... D9/521 X
- D. 285,052 8/1986 Bianchi et al. .... D9/521
- D. 292,377 10/1987 Pozzo di Borgo ..... D9/545 X
- D. 319,971 9/1991 Rhodes ..... D9/545 X

### DESCRIPTION

FIG. 1 is a top perspective view of a bottle showing our design;

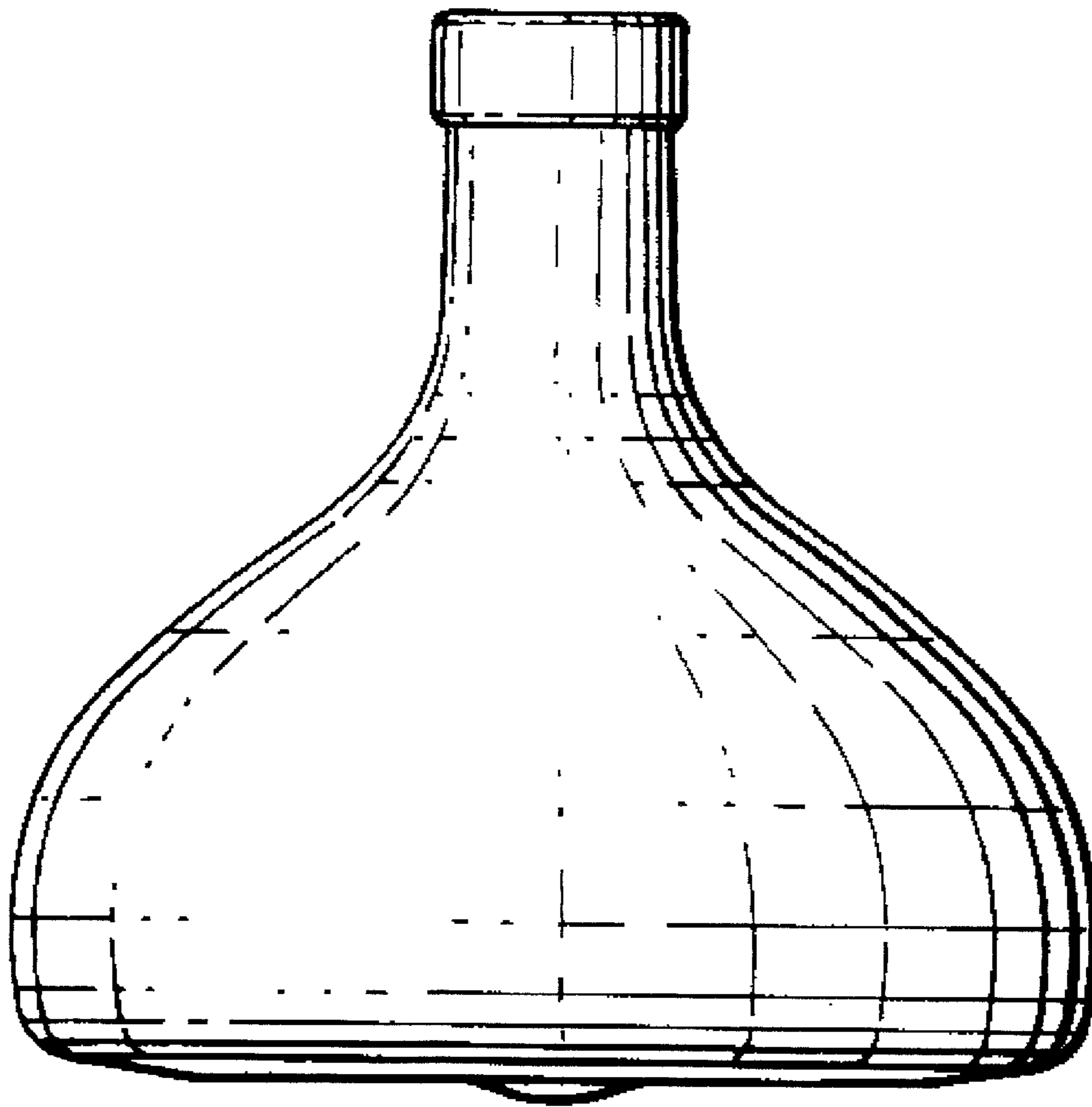
FIG. 2 is a front elevation thereof, the rear and side elevations are the same;

FIG. 3 is a bottom perspective view thereof;

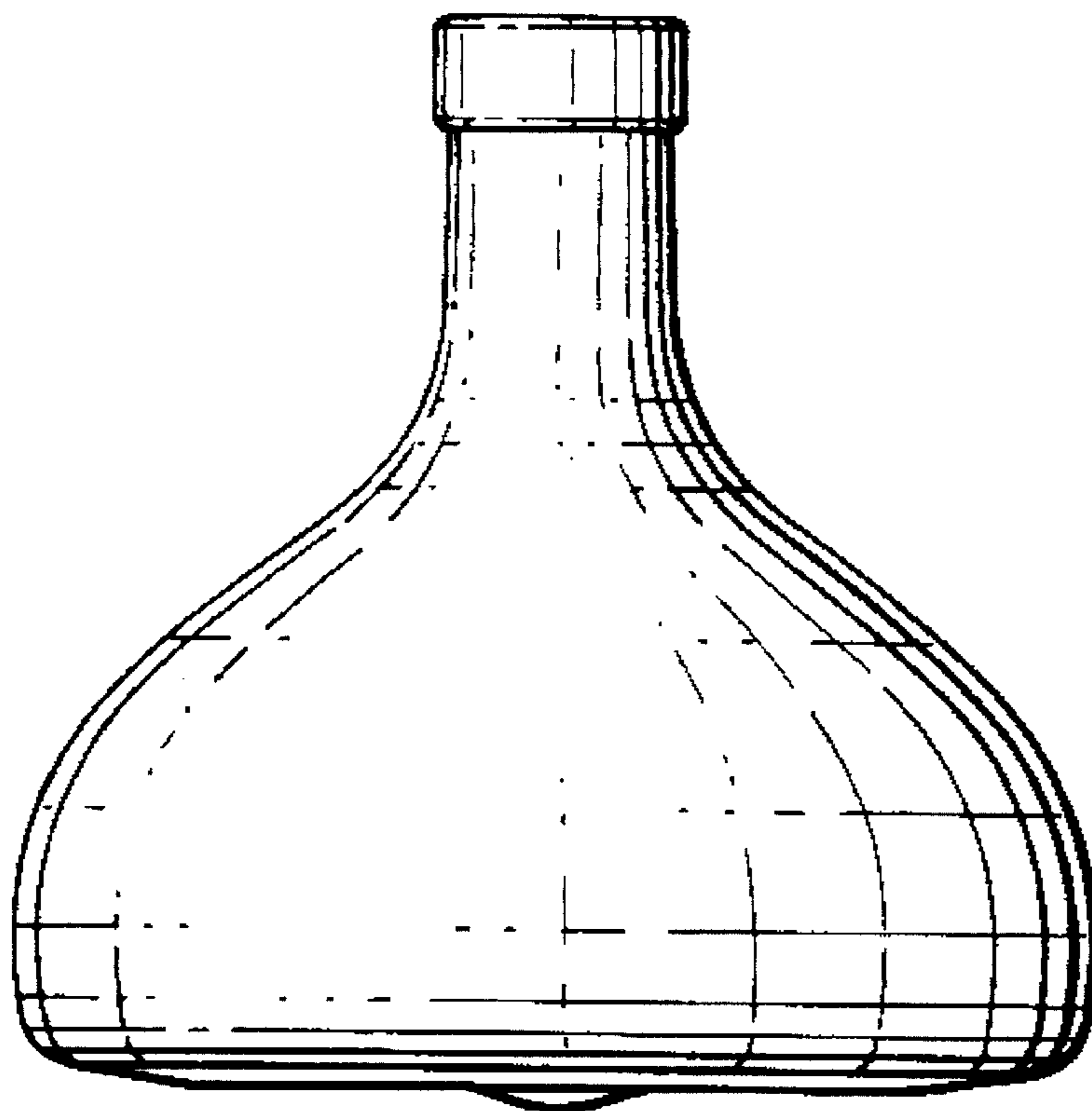
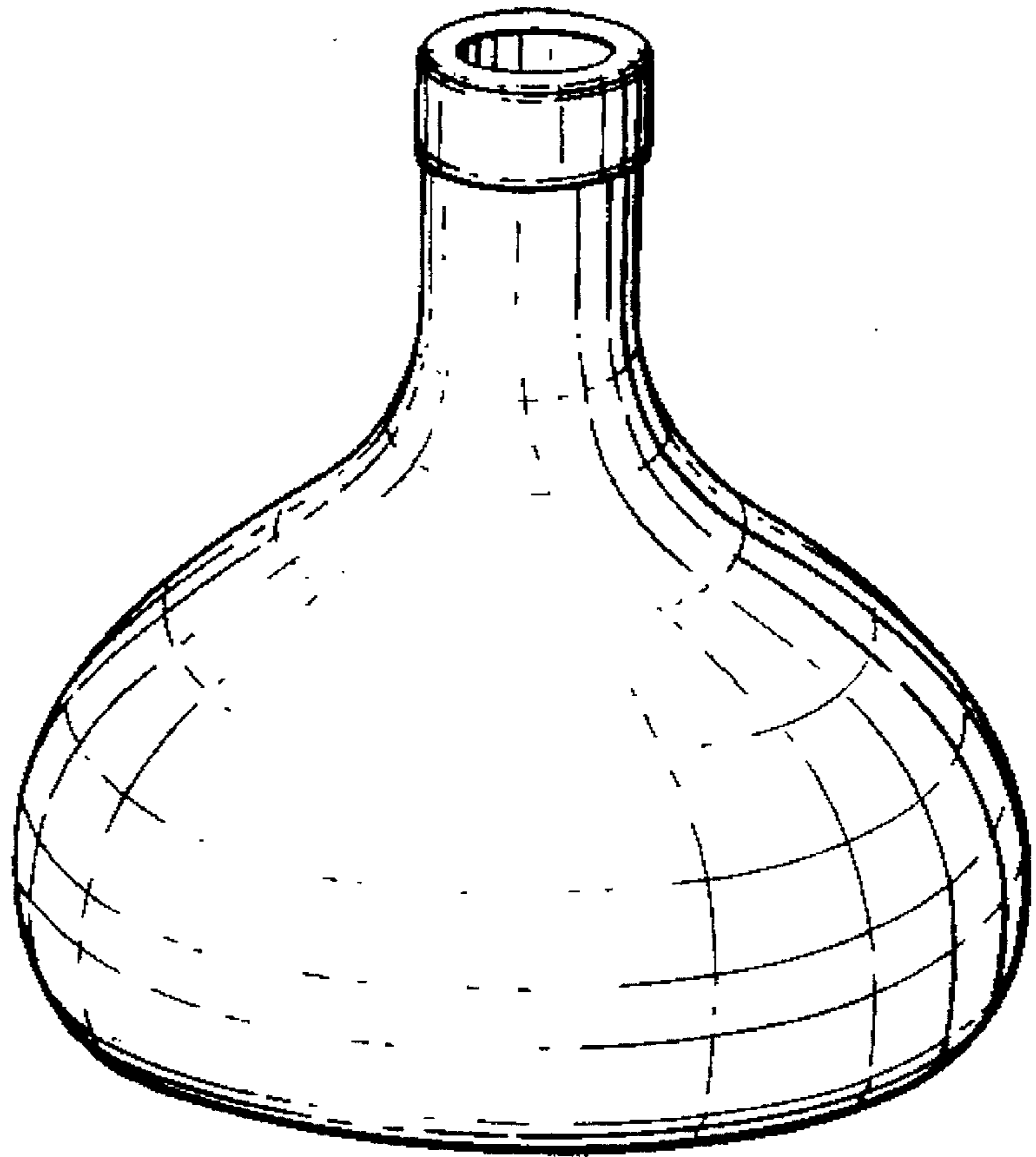
FIG. 4 is a bottom plan view thereof; and,

FIG. 5 is a top plan view thereof.

**1 Claim, 3 Drawing Sheets**

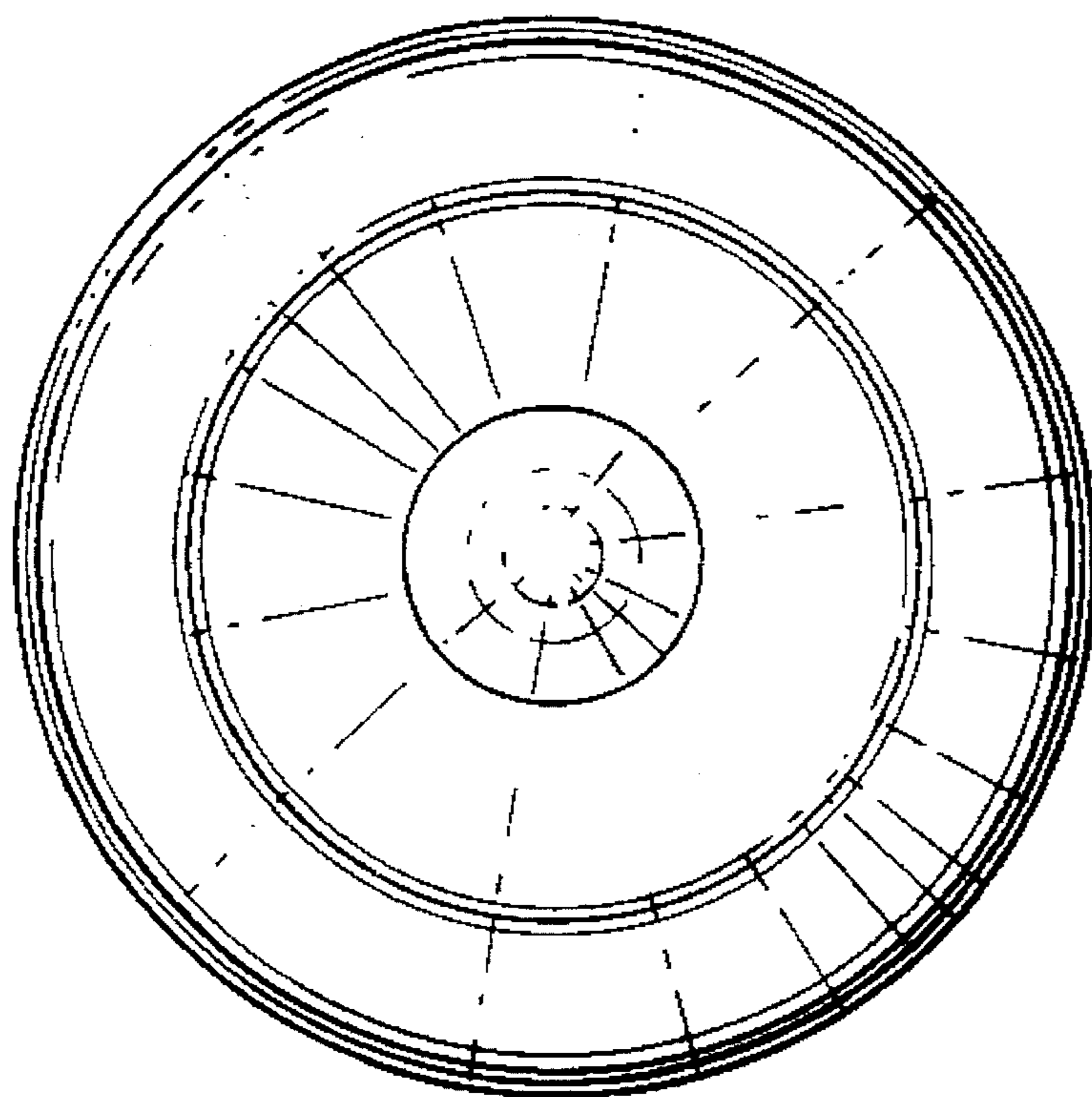
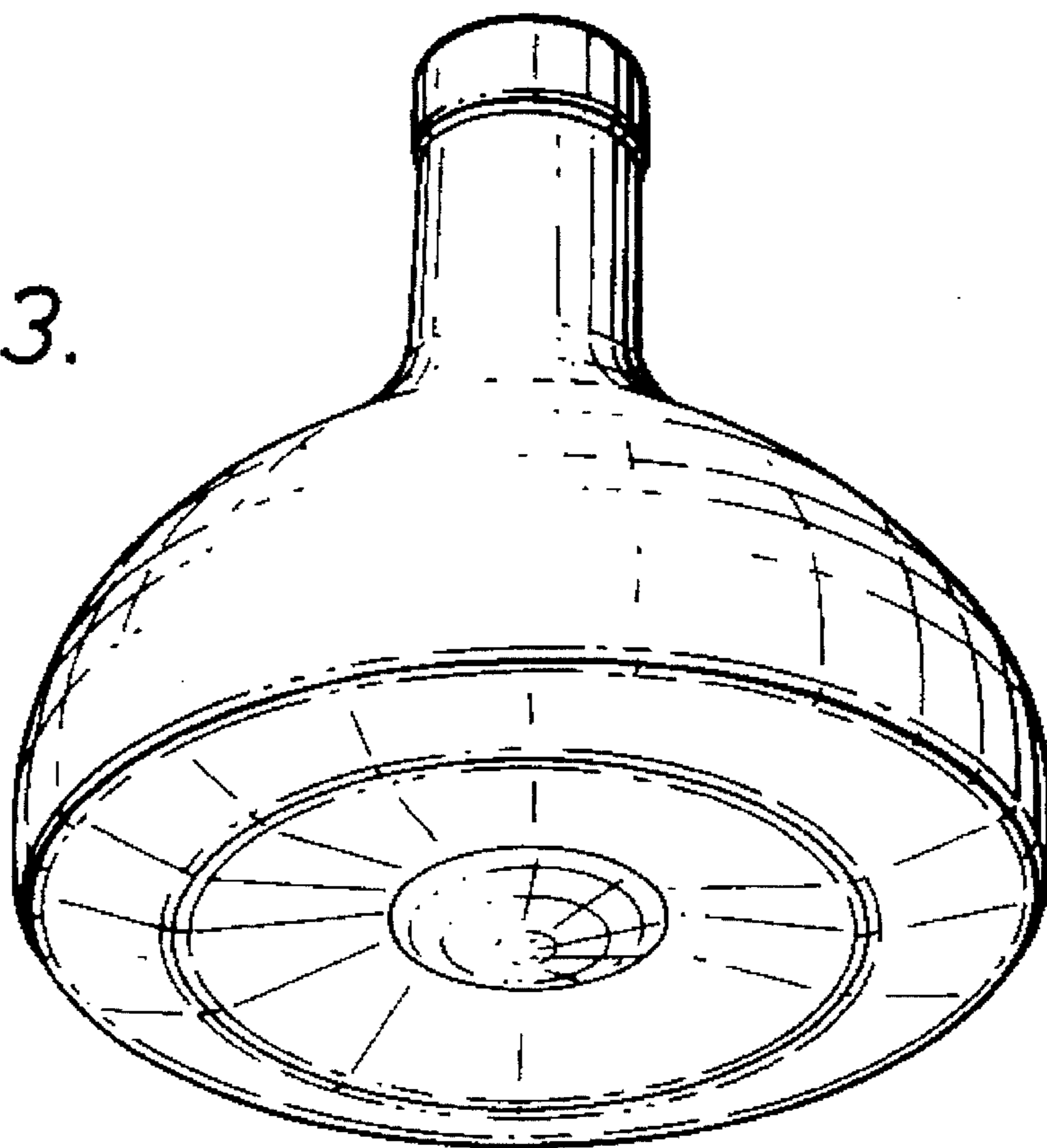


*FIG. 1.*

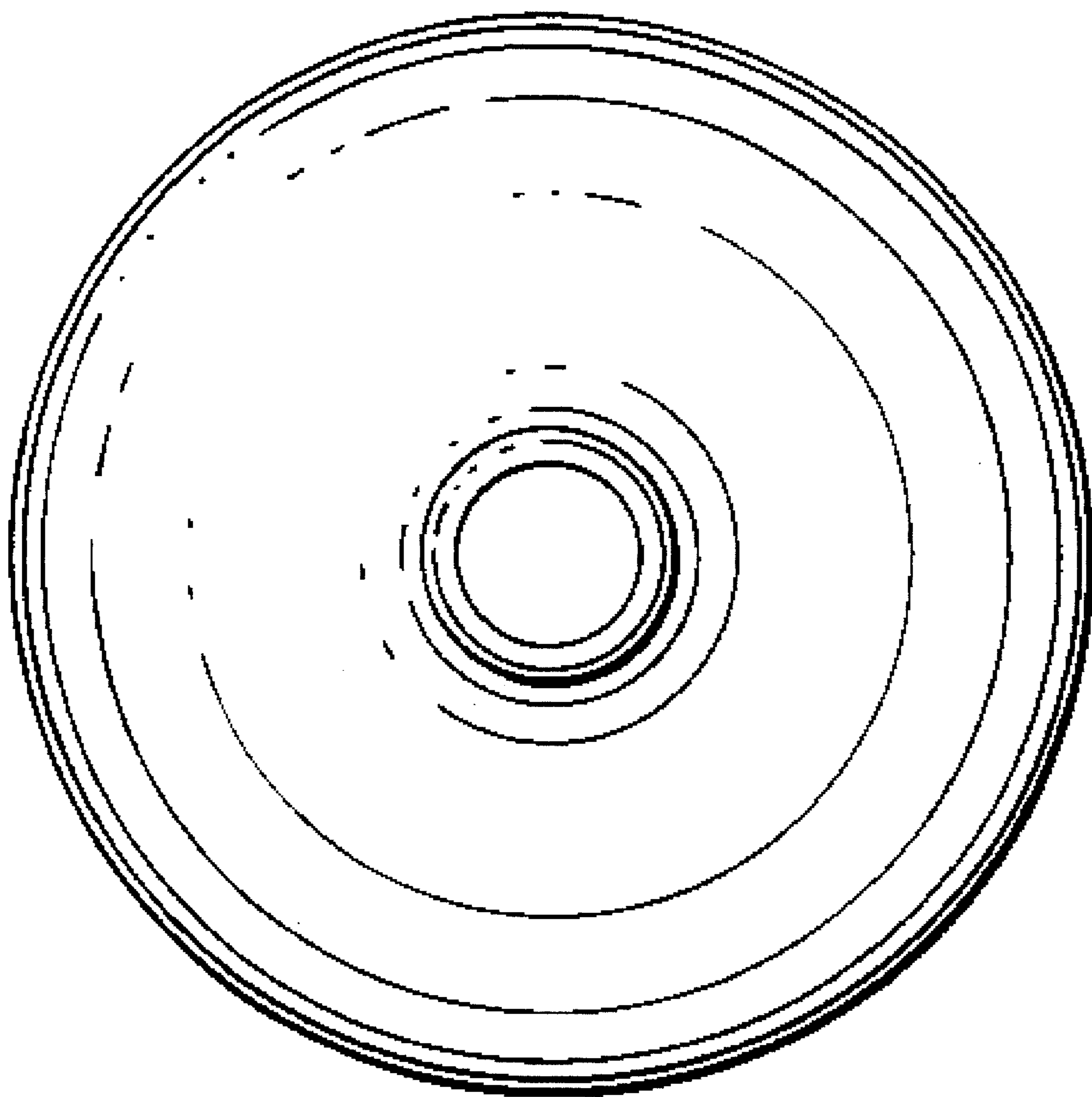


*FIG. 2.*

*FIG. 3.*



*FIG. 4.*



*FIG. 5.*