



US00D372426S

# United States Patent [19]

Garnett

[11] Patent Number: **Des. 372,426**

[45] Date of Patent: **\*\*Aug. 6, 1996**

[54] **REMOVABLE POURING CLOSURE**

[76] Inventor: **Jon M. Garnett**, P.O. Box 1,  
Spearman, Tex. 79081

[\*\*] Term: **14 Years**

[21] Appl. No.: **37,856**

[22] Filed: **Apr. 21, 1995**

[52] U.S. Cl. .... **D9/447; D7/392.1**

[58] **Field of Search** ..... D9/434, 435, 440,  
D9/443, 446, 447, 449-454, 523, 524,  
527, 528; D7/511, 510, 391, 392, 392.1,  
538-542; 220/306, 266, 254, 307, 308,  
915; 222/489, 481, 478

[56] **References Cited**

**U.S. PATENT DOCUMENTS**

D. 21,984	8/1892	Hine	.....	D9/524
D. 22,428	5/1893	Winfield	.....	D9/524
D. 22,515	6/1893	Winfield	.....	D9/524
D. 217,133	4/1970	O'Neil	.....	D9/447
D. 218,733	9/1970	Innvar	.....	D9/446
D. 242,128	11/1976	Chase	.....	D9/447
D. 244,260	5/1977	Walker	.....	D9/446
D. 293,083	12/1987	Gloor	.....	D9/447 X

D. 355,365	2/1995	Charbonneau et al.	.....	D9/524
D. 359,236	6/1995	Spafford et al.	.....	D9/447
1,148,683	8/1915	Hothersall	.....	220/266

**OTHER PUBLICATIONS**

Tri-Sure Closures Ad, dated 1957, Container at Front.  
Sears 1960 Catalog, p. 937, Item 2, 2.5 Gallon Red Gas Can.

*Primary Examiner*—Jeffrey Asch  
*Attorney, Agent, or Firm*—Norman B. Rainer

[57] **CLAIM**

The ornamental design for a removable pouring closure, as shown and described.

**DESCRIPTION**

FIG. 1 is a top perspective view of a removable pouring closure showing my new design;  
FIG. 2 is a top plan view thereof;  
FIG. 3 is a bottom view thereof;  
FIG. 4 is a side view thereof, the opposite side being of mirror-image appearance; and,  
FIG. 5 is a sectional view taken in the direction of the arrows upon the line 5—5 of FIG. 2.

**1 Claim, 1 Drawing Sheet**

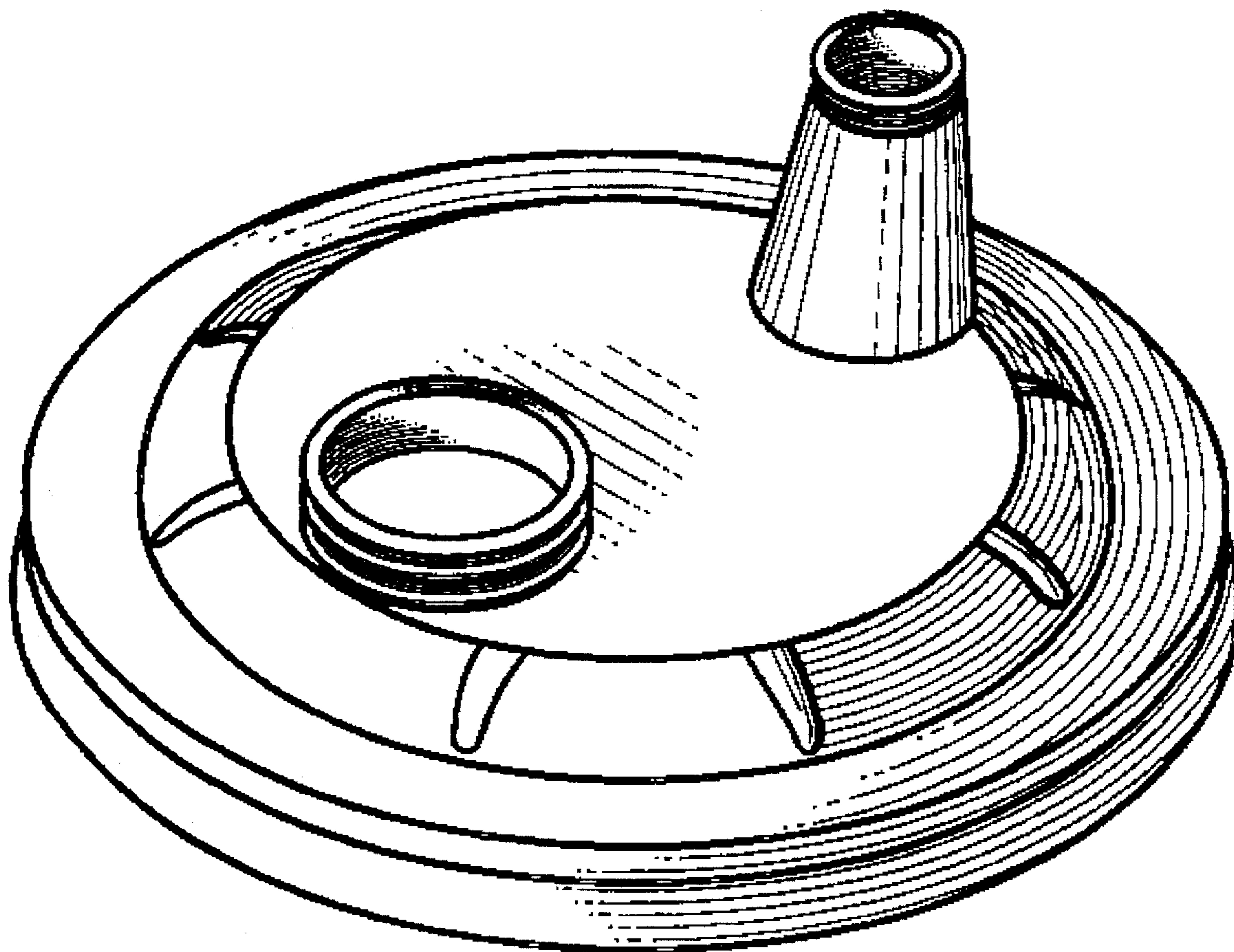


Fig.1

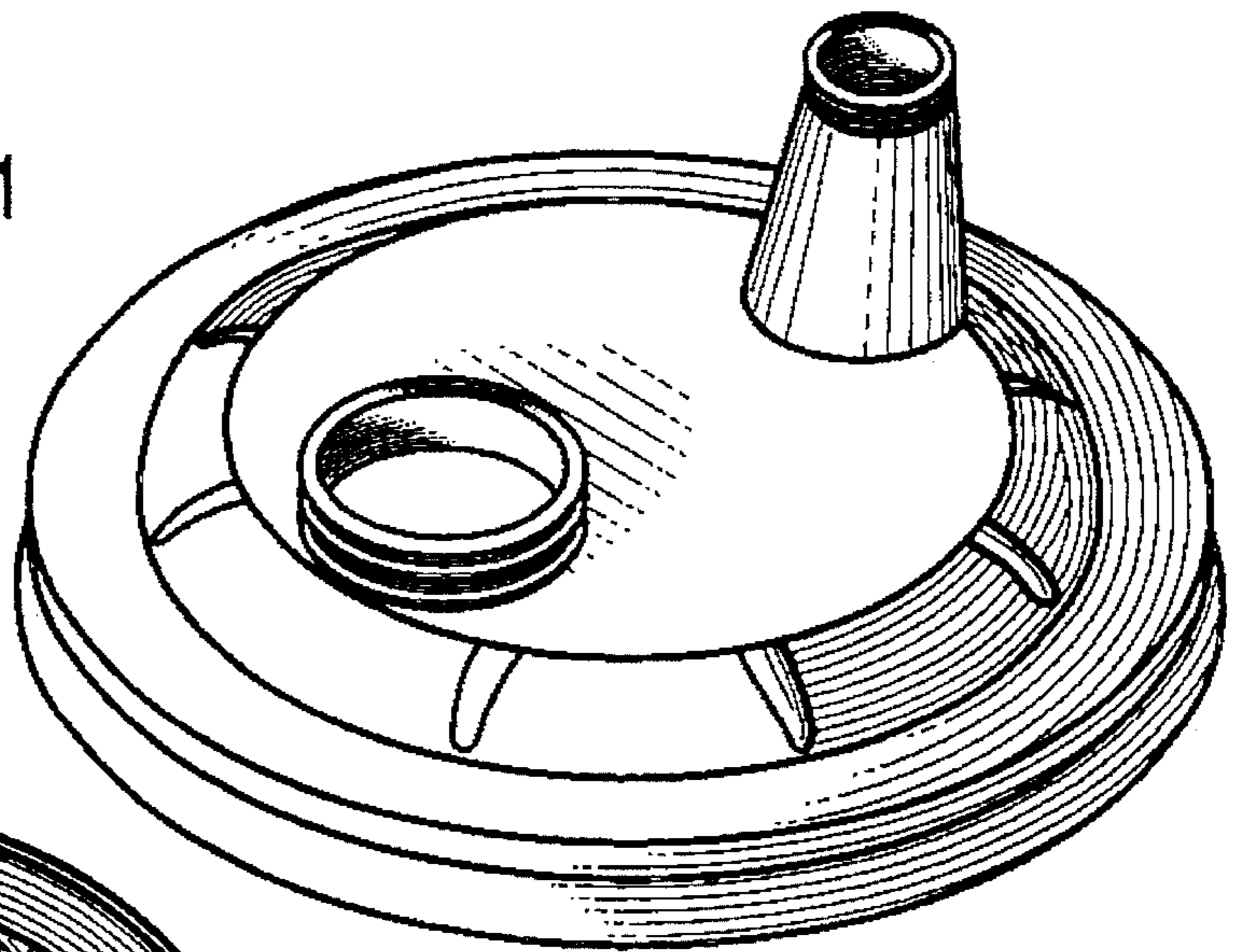


Fig.2

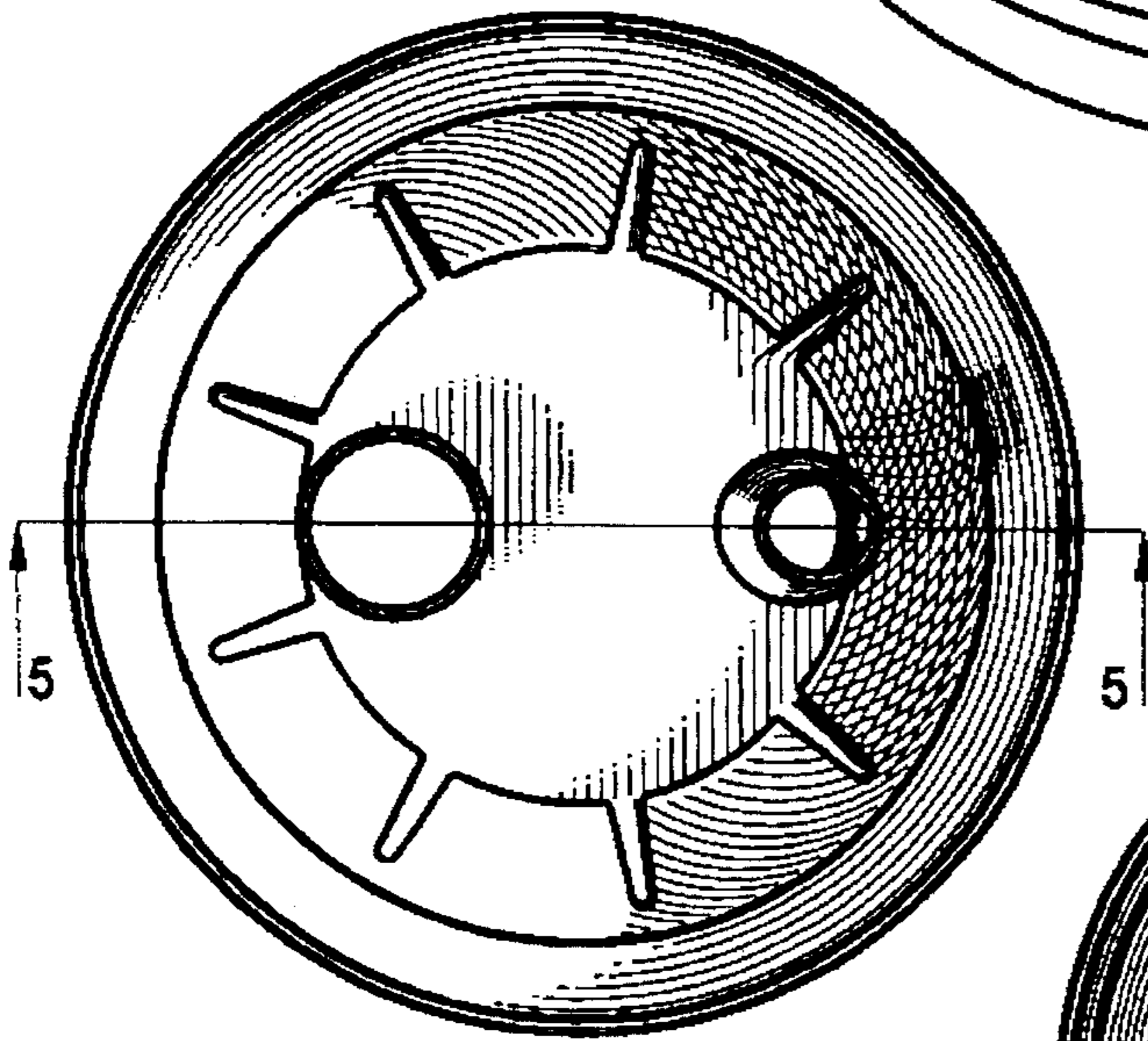


Fig.3

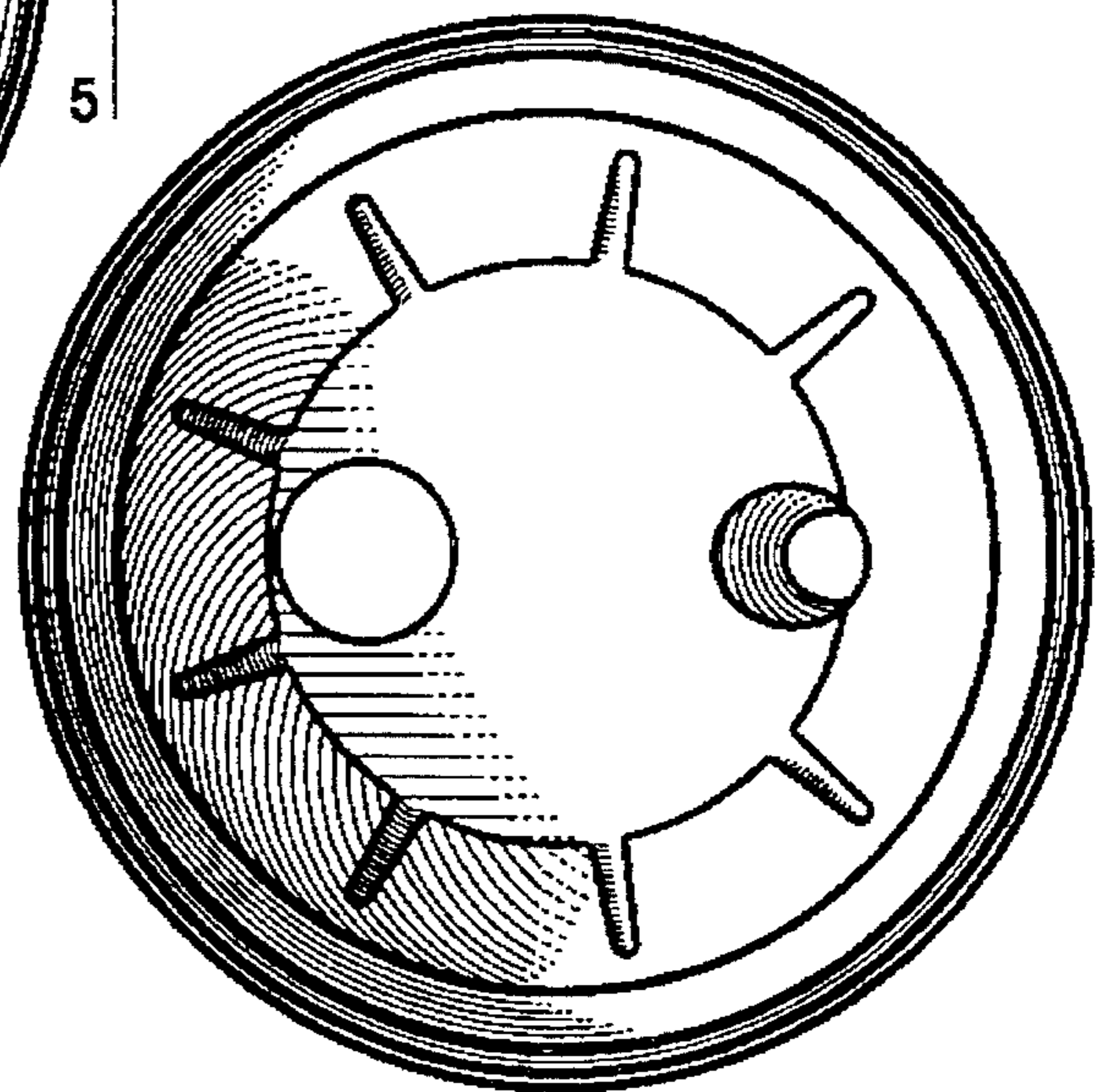


Fig.4

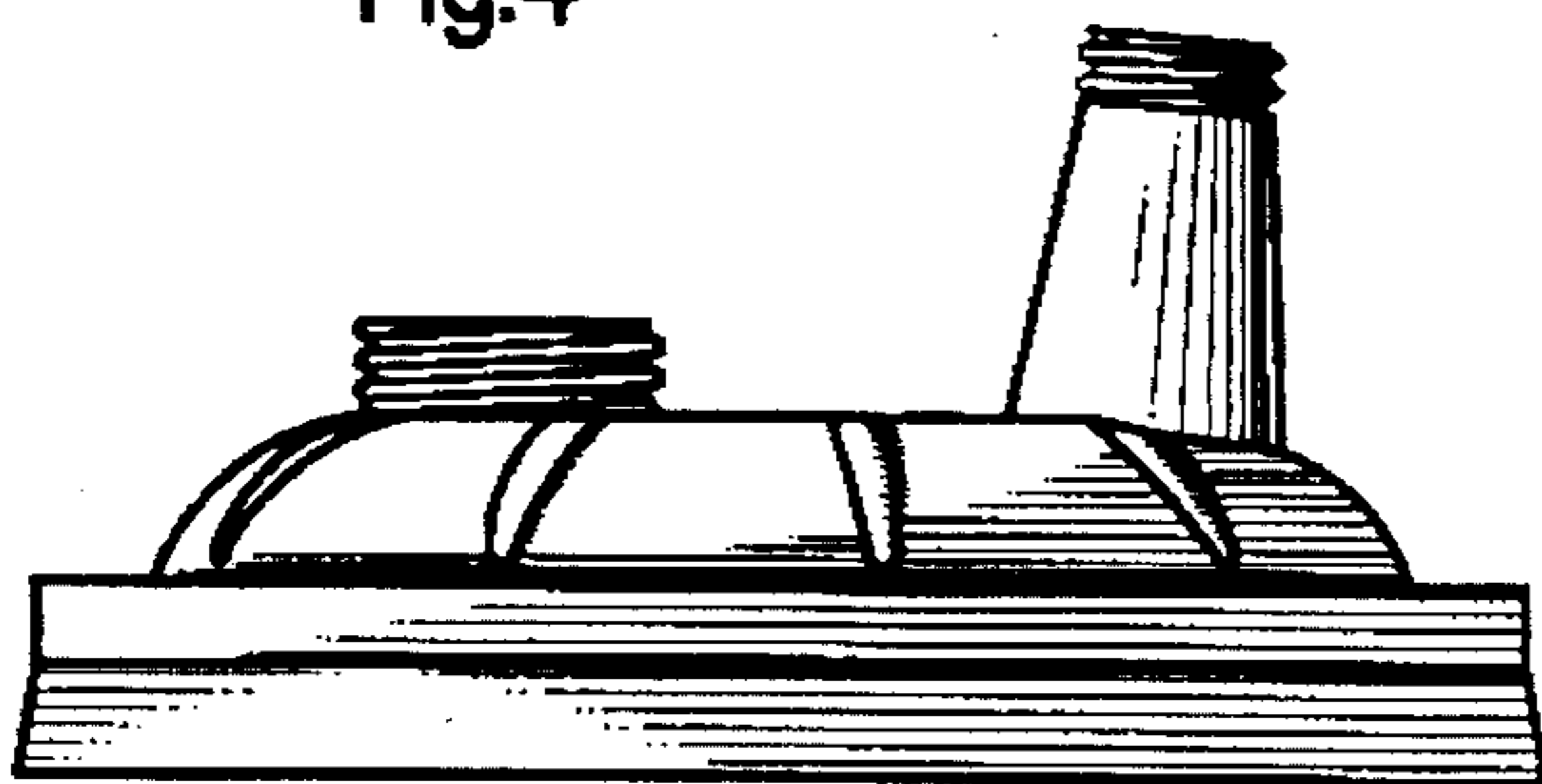


Fig.5

