



US00D372420S

United States Patent [19]
Mendez

[11] **Patent Number: Des. 372,420**
[45] **Date of Patent: **Aug. 6, 1996**

[54] **CORD LOCK AND FASTENER**

4,029,896 6/1977 Skinner .

[76] Inventor: **Santiago Mendez**, 842 Pendleton Ave.,
NE., Palm Bay, Fla. 32907

Primary Examiner—B. J. Bullock
Attorney, Agent, or Firm—Richard C. Litman

[**] Term: **14 Years**

[57] **CLAIM**

[21] Appl. No.: **33,938**

The ornamental design for a cord lock and fastener, as shown and described.

[22] Filed: **Jan. 24, 1995**

[52] U.S. Cl. **D8/383; D8/356; D8/396**

[58] Field of Search **D8/356, 382, 383,
D8/395, 396; 24/132 R, 132 AA, 122.6**

DESCRIPTION

FIG. 1 is an environmental, perspective view of a cord lock and fastener, clasp closed, showing my new design;
FIG. 2 is a top plan view thereof;
FIG. 3 is a front elevational view thereof;
FIG. 4 is a right side elevational view with the left side being a mirror image thereof; and,
FIG. 5 is a perspective view thereof, clasp open.

The undisclosed bottom and rear are plain and unornamented.

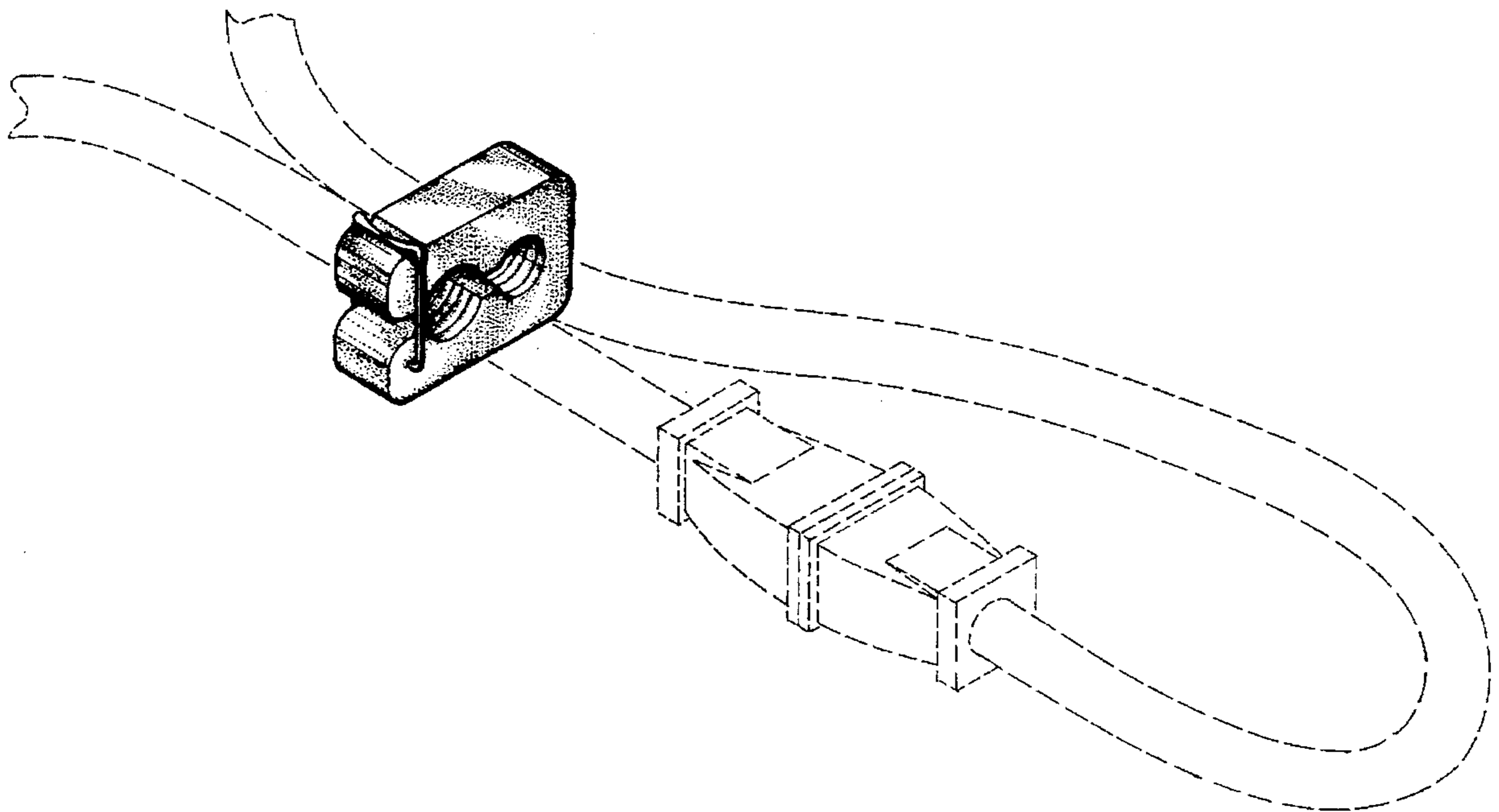
The broken line showing of a power cord is for illustrative purposes only and forms no part of the claimed design.

[56] **References Cited**

U.S. PATENT DOCUMENTS

D. 272,820	2/1984	Cosmos et al. .	
D. 303,787	10/1989	Messenger et al. .	
D. 309,893	8/1990	Endo et al. .	
3,096,551	7/1963	Shoberg	24/132 R
3,540,083	11/1970	O'Connor	24/132 R
3,751,579	8/1973	Nojiri .	
3,896,527	7/1975	Miller	24/132 R
4,029,277	6/1977	Bulanda	24/132 R

1 Claim, 2 Drawing Sheets



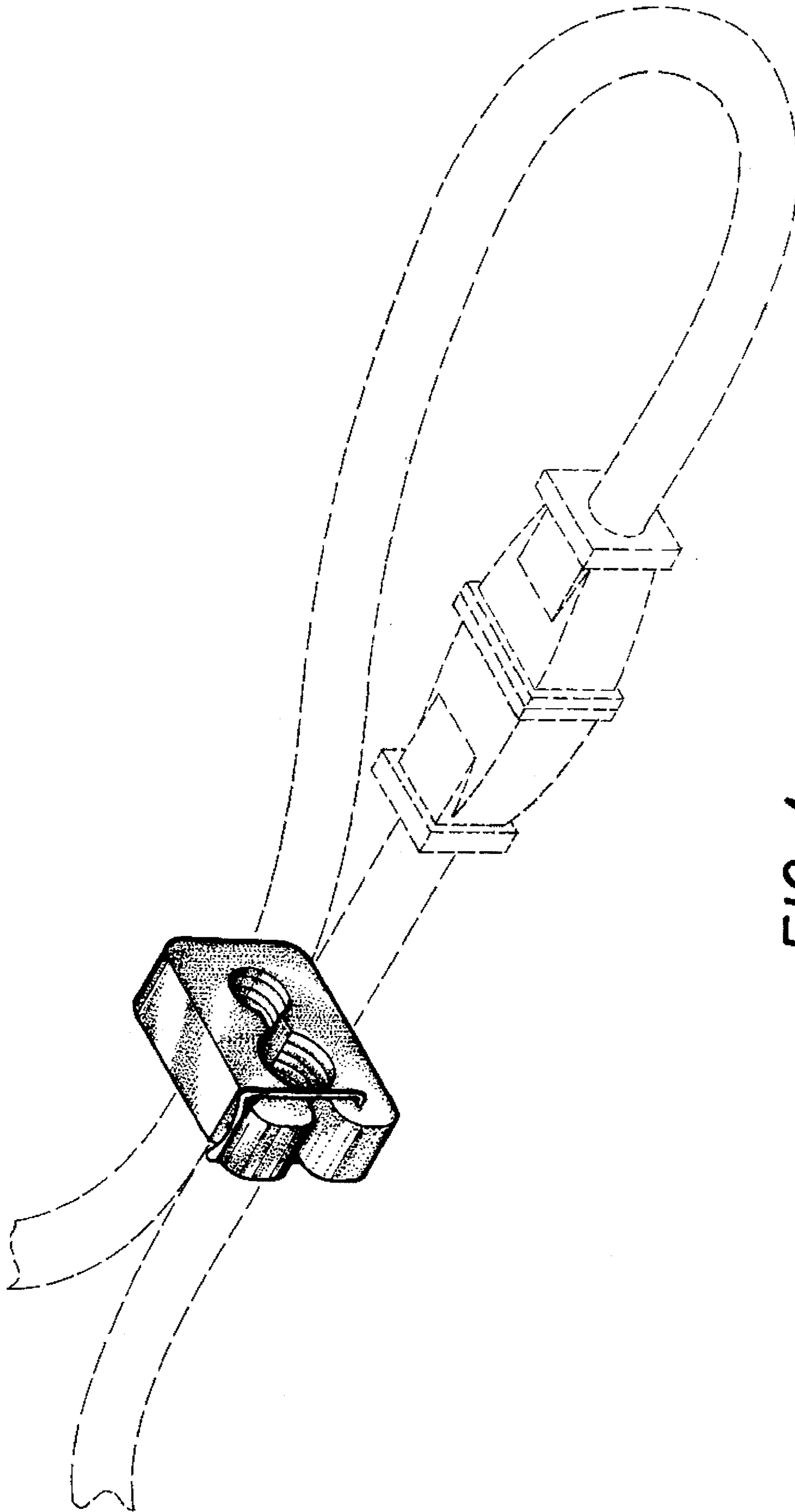


FIG. 1

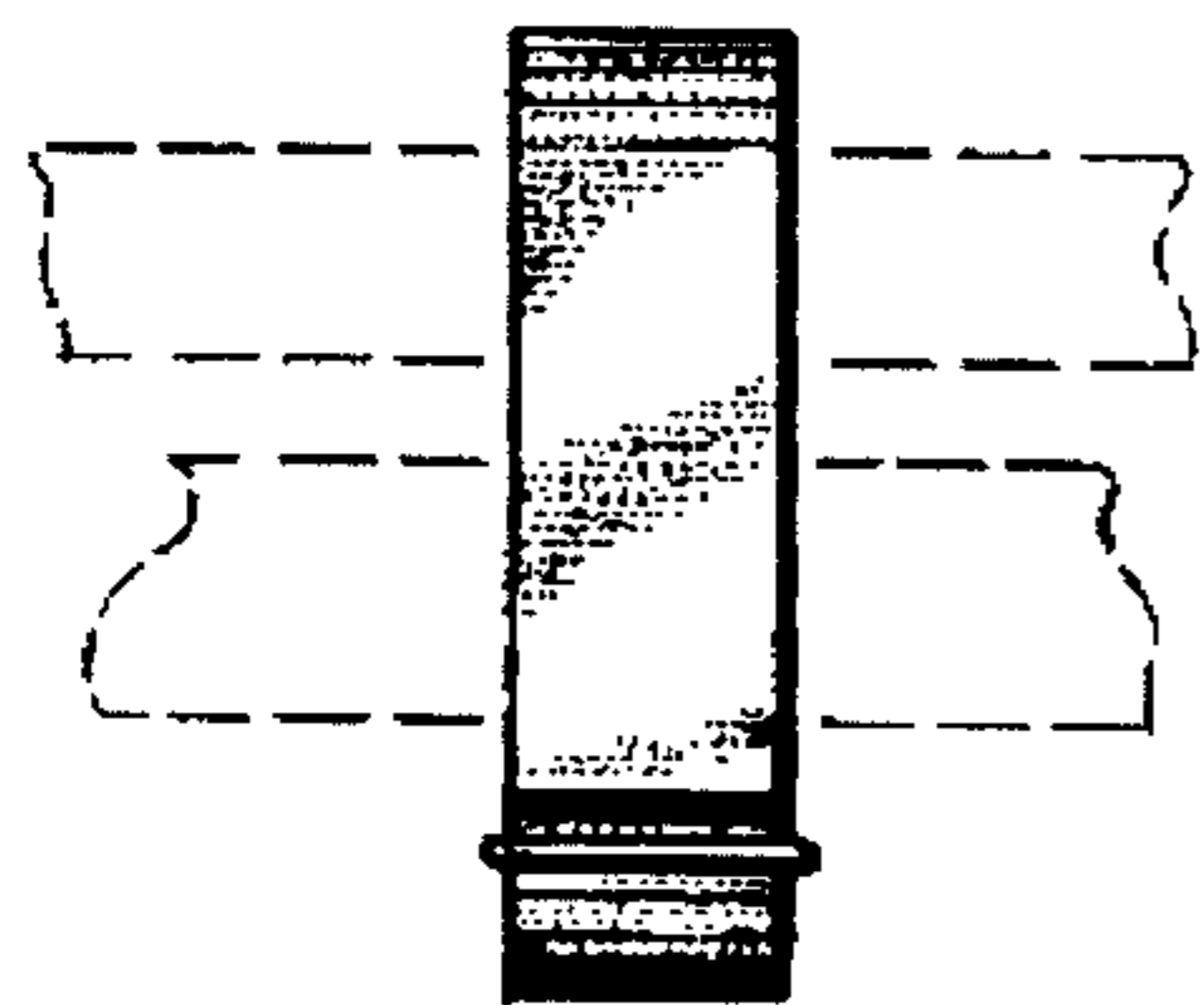


FIG. 2

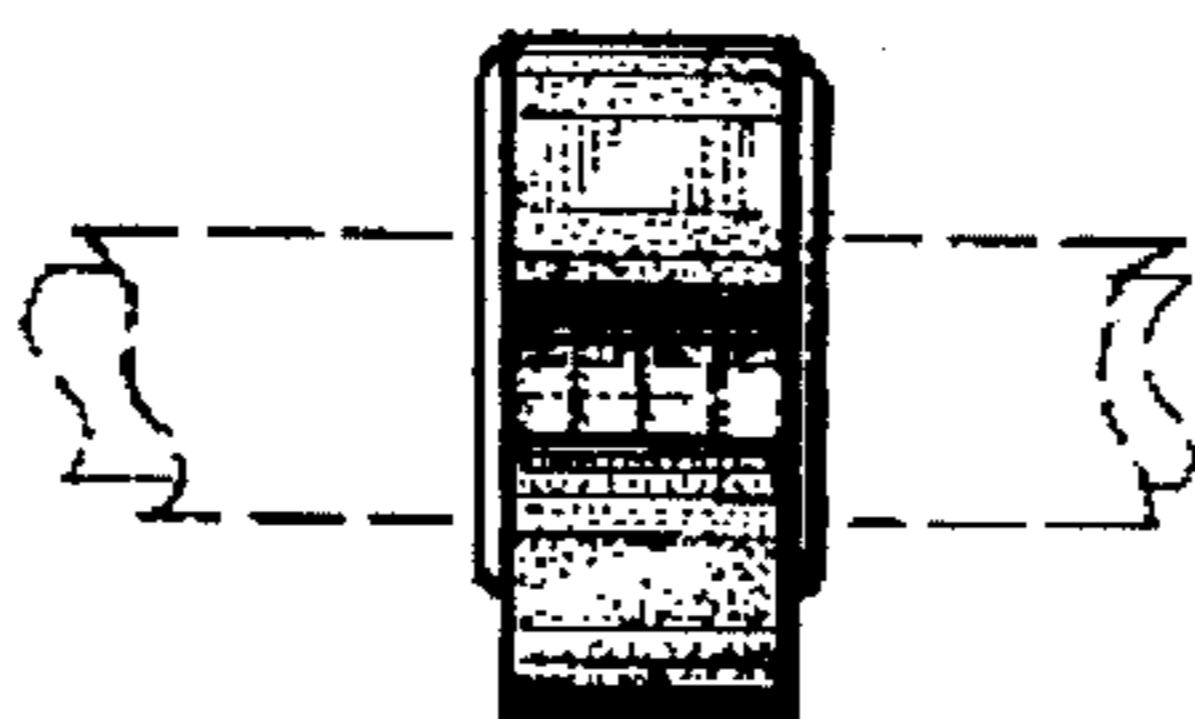


FIG. 3

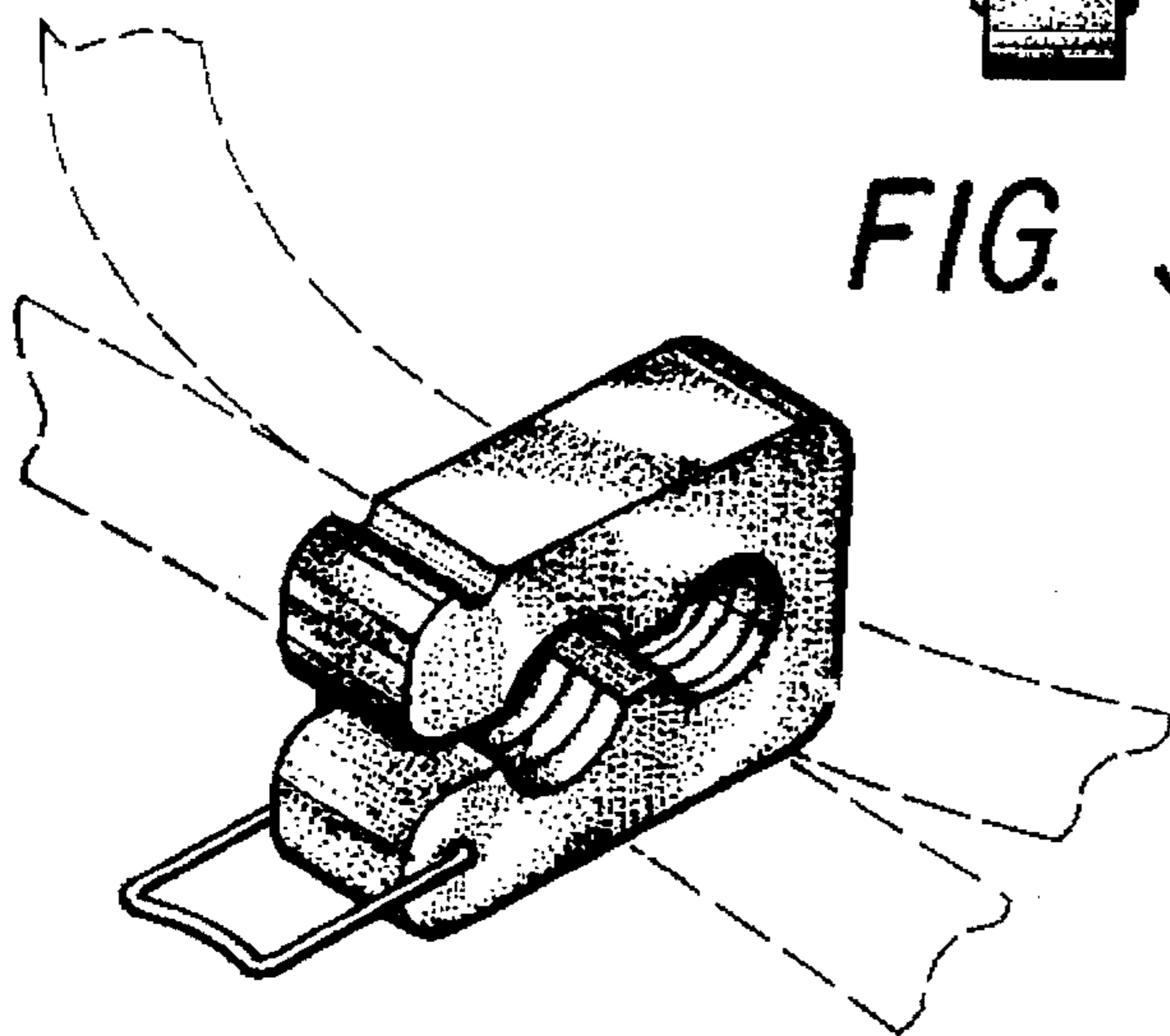


FIG. 5

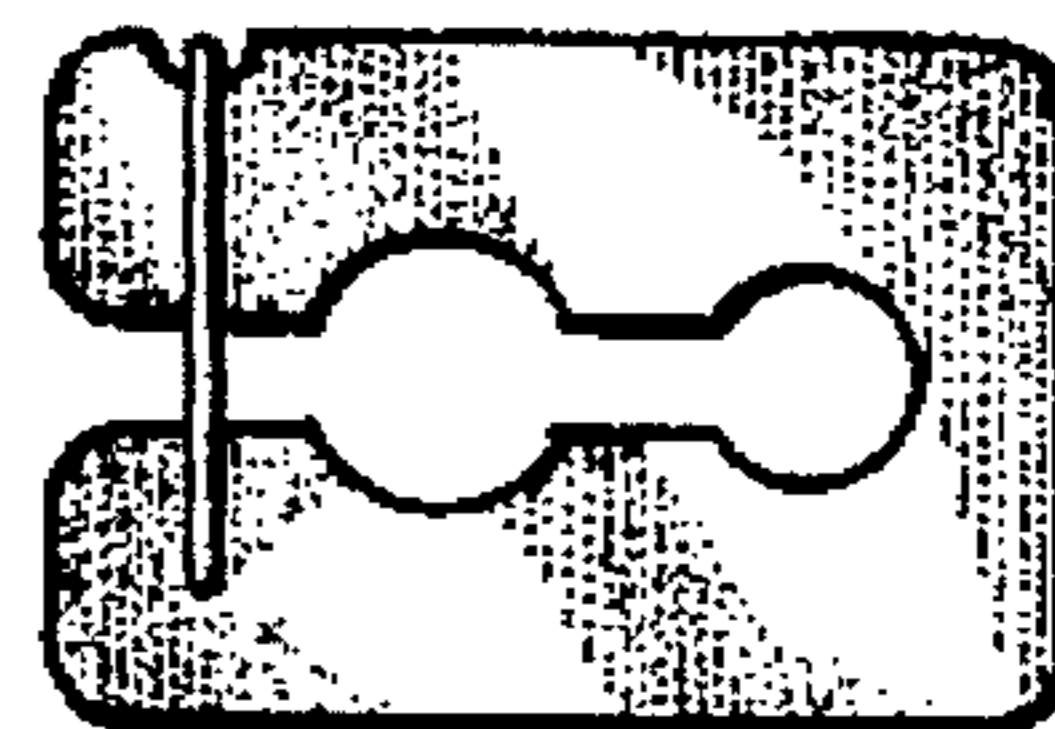


FIG. 4