



US00D372418S

# United States Patent [19]

Winner

[11] Patent Number: **Des. 372,418**

[45] Date of Patent: **\*\*Aug. 6, 1996**

[54] **STEERING WHEEL GUARD**

[75] Inventor: **Kevin D. Winner**, Hermitage, Pa.

[73] Assignee: **Winner International Royalty Corporation**, Sharon, Pa.

[\*\*] Term: **14 Years**

[21] Appl. No.: **43,381**

[22] Filed: **Aug. 28, 1995**

[52] U.S. Cl. .... **D8/346**

[58] Field of Search ..... D6/330-331, 343, D6/346; 70/14, 233, 237-238, 245, 247, 252

5,199,284 4/1993 Lin ..... 70/209  
 5,297,406 3/1994 Lin ..... 70/209  
 5,454,240 10/1995 Whitney ..... 70/209

### FOREIGN PATENT DOCUMENTS

2487275 1/1982 France .  
 2580243 10/1986 France .  
 2718291 10/1978 Germany .  
 584555 10/1958 Italy .

*Primary Examiner*—Brian N. Vinson  
*Attorney, Agent, or Firm*—Vickers, Daniels & Young

### [57] CLAIM

The ornamental design for a steering wheel guard, as shown and described.

### DESCRIPTION

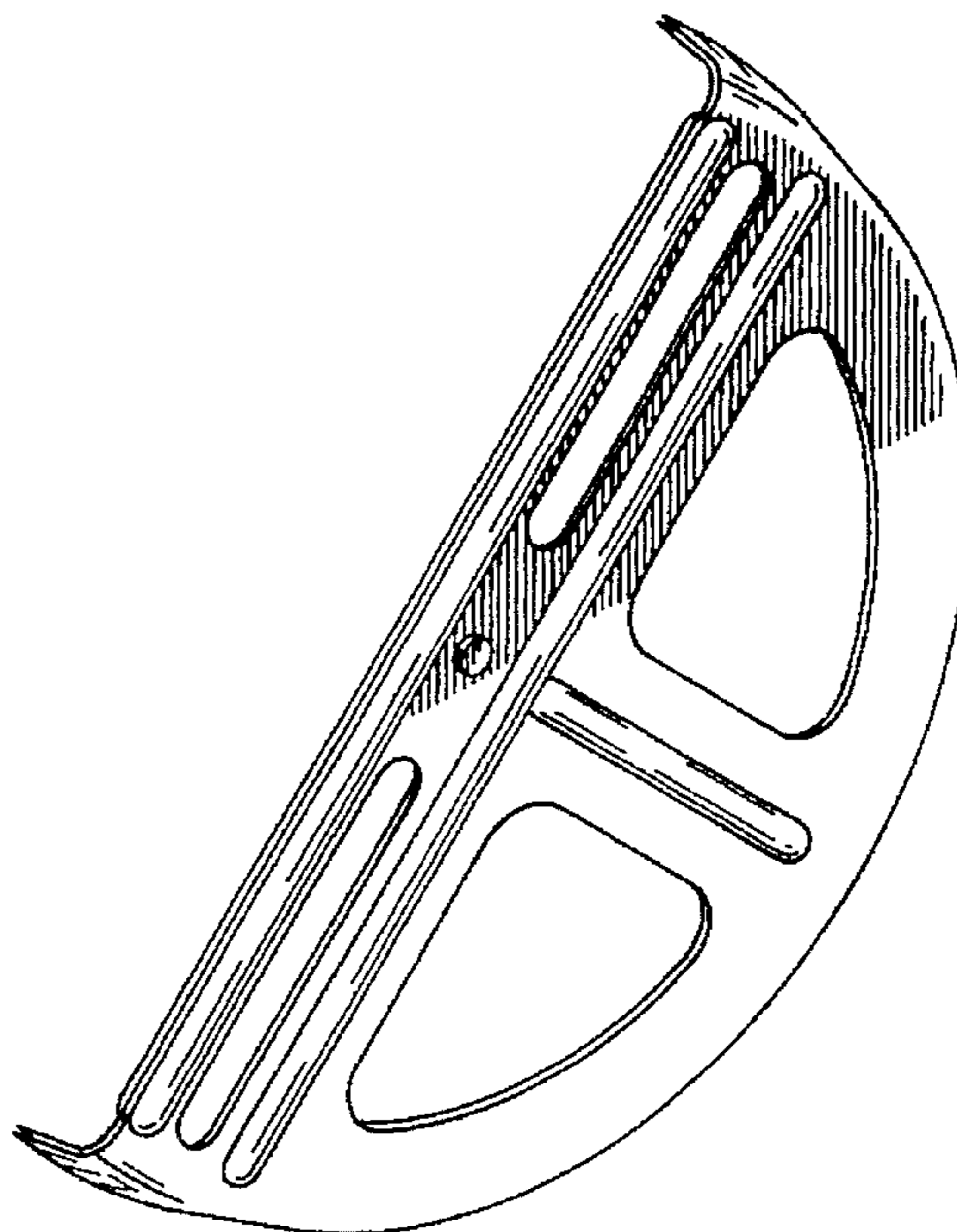
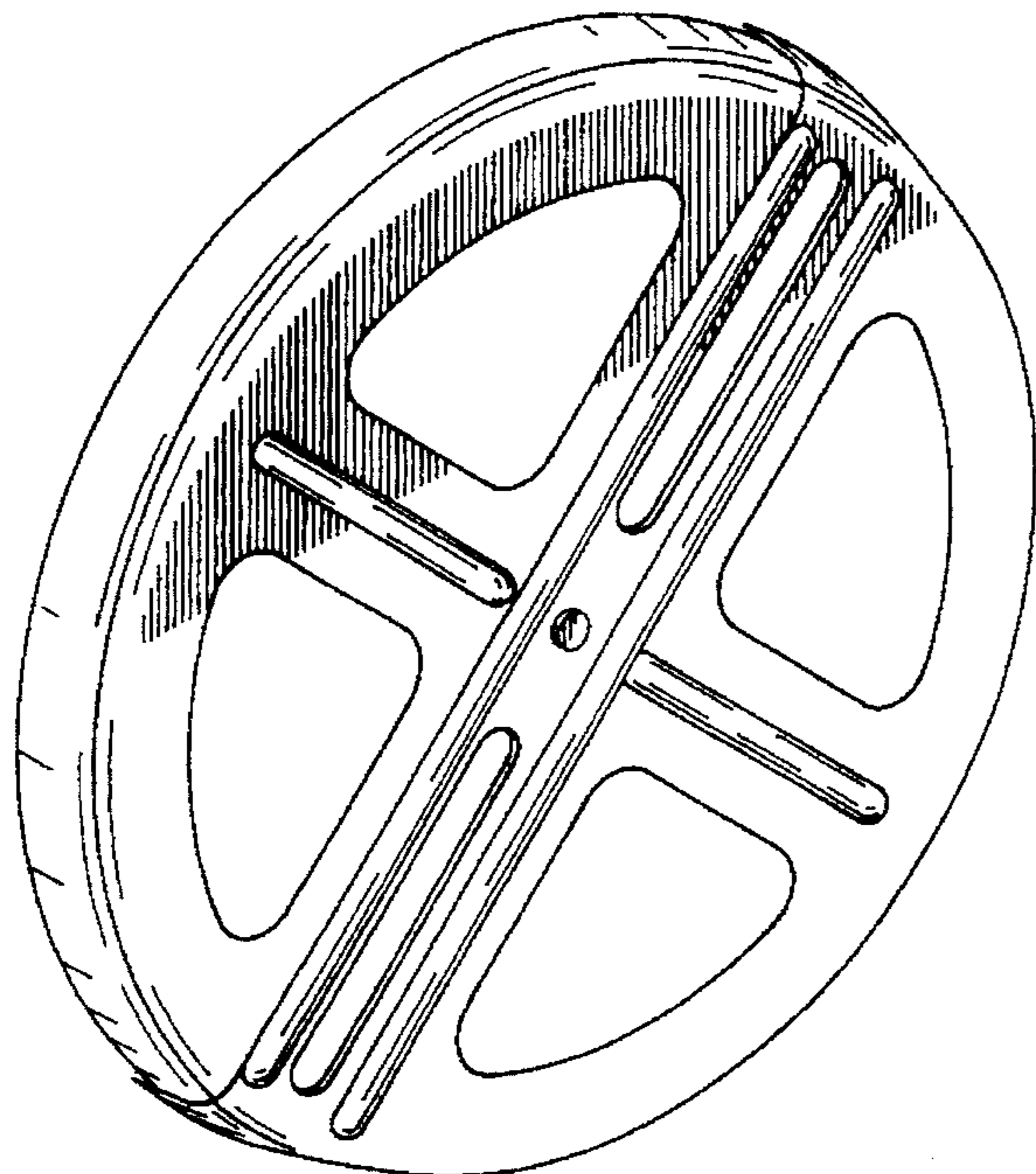
FIG. 1, is a top, front, and left side perspective view of a steering wheel guard showing my new design;  
 FIG. 2 is a top, front, and left side perspective view of the right portion thereof, the left portion being omitted for clarity of illustration;  
 FIG. 3 is a front elevational view thereof;  
 FIG. 4 is a bottom plan view thereof;  
 FIG. 5 is a left side elevational view thereof;  
 FIG. 6 is a right side elevational view thereof;  
 FIG. 7 is a rear elevational view thereof;  
 FIG. 8 is a front elevational view of an alternate embodiment of a steering wheel guard showing my new design;  
 FIG. 9 is a bottom plan view thereof; the top being a mirror image of that shown;  
 FIG. 10 is a left side elevational view thereof, the right side being a mirror image of that shown; and,  
 FIG. 11 is a rear elevational view thereof; and,  
 FIG. 12 is an additional alternative embodiment of the invention shown in FIG. 1.

### [56] References Cited

#### U.S. PATENT DOCUMENTS

D. 289,491	4/1987	Johnson	.....	D8/330
D. 306,252	2/1990	Johnson	.....	D8/331
D. 350,274	9/1994	Cota	.....	D8/331
475,305	5/1892	Follett	.	
1,044,387	11/1912	Hodge	.	
1,142,780	6/1915	Younger	.	
1,154,389	9/1915	Fogalsang	.	
1,168,146	1/1916	Barnes	.	
1,395,532	11/1921	Tilden	.	
2,458,002	10/1945	KasKouras	.....	70/211
2,491,609	2/1947	George	.....	74/552
2,662,961	8/1954	Sargent	.....	219/19
3,274,851	5/1964	Geller	.....	74/552
4,166,400	9/1979	Manning et al.	.....	74/552
4,186,576	2/1980	Means et al.	.....	70/233
4,327,601	5/1982	Vivian, Jr.	.....	74/552
4,738,127	4/1988	Johnson	.....	70/209
4,800,775	1/1989	Juchi	.....	74/552
4,856,308	8/1989	Johnson	.....	70/209
4,935,047	6/1990	Wu	.....	70/209
4,961,331	10/1990	Winner	.....	70/209
5,115,652	5/1992	Starmer	.....	70/209

1 Claim, 5 Drawing Sheets



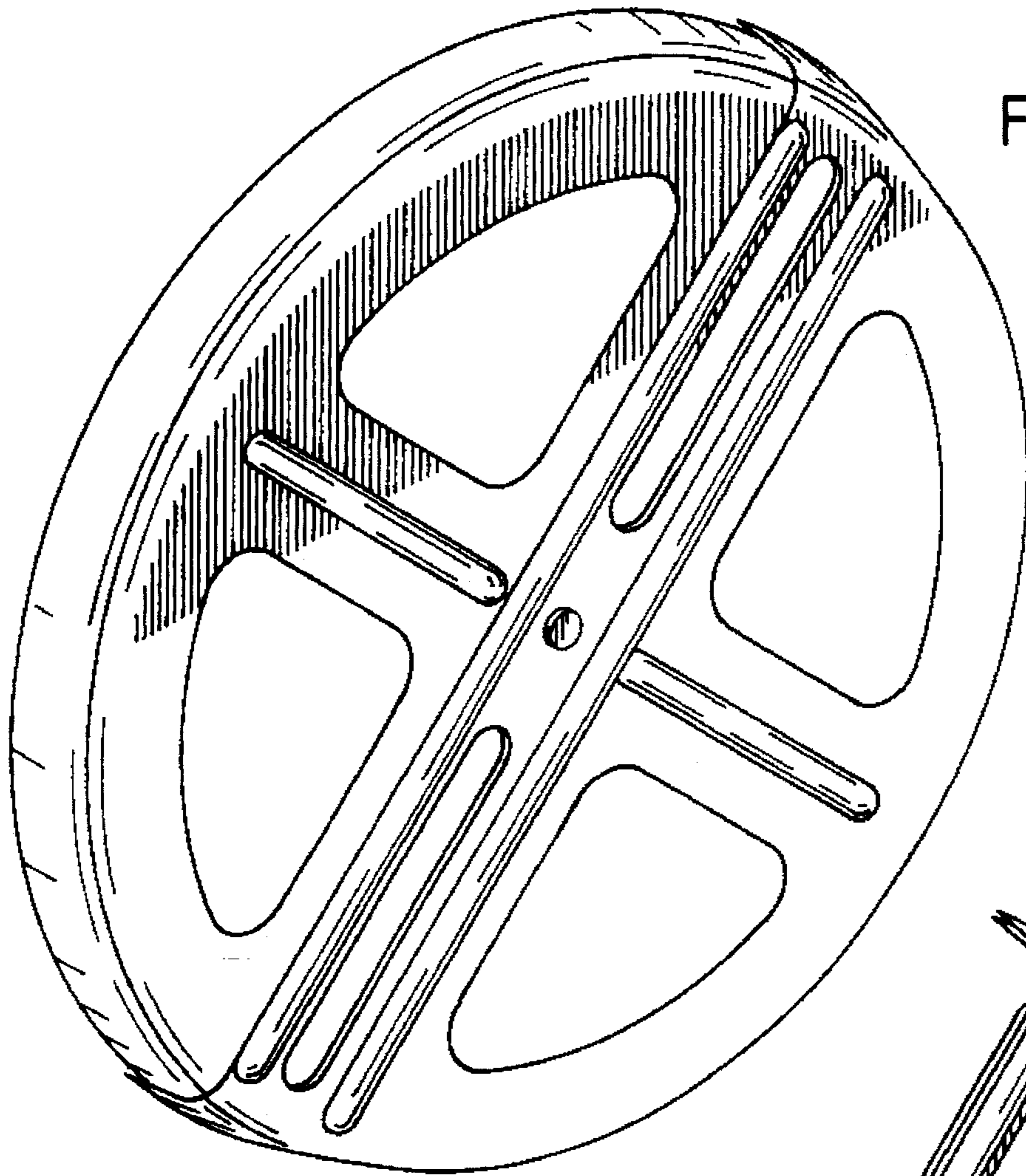


FIG. 1

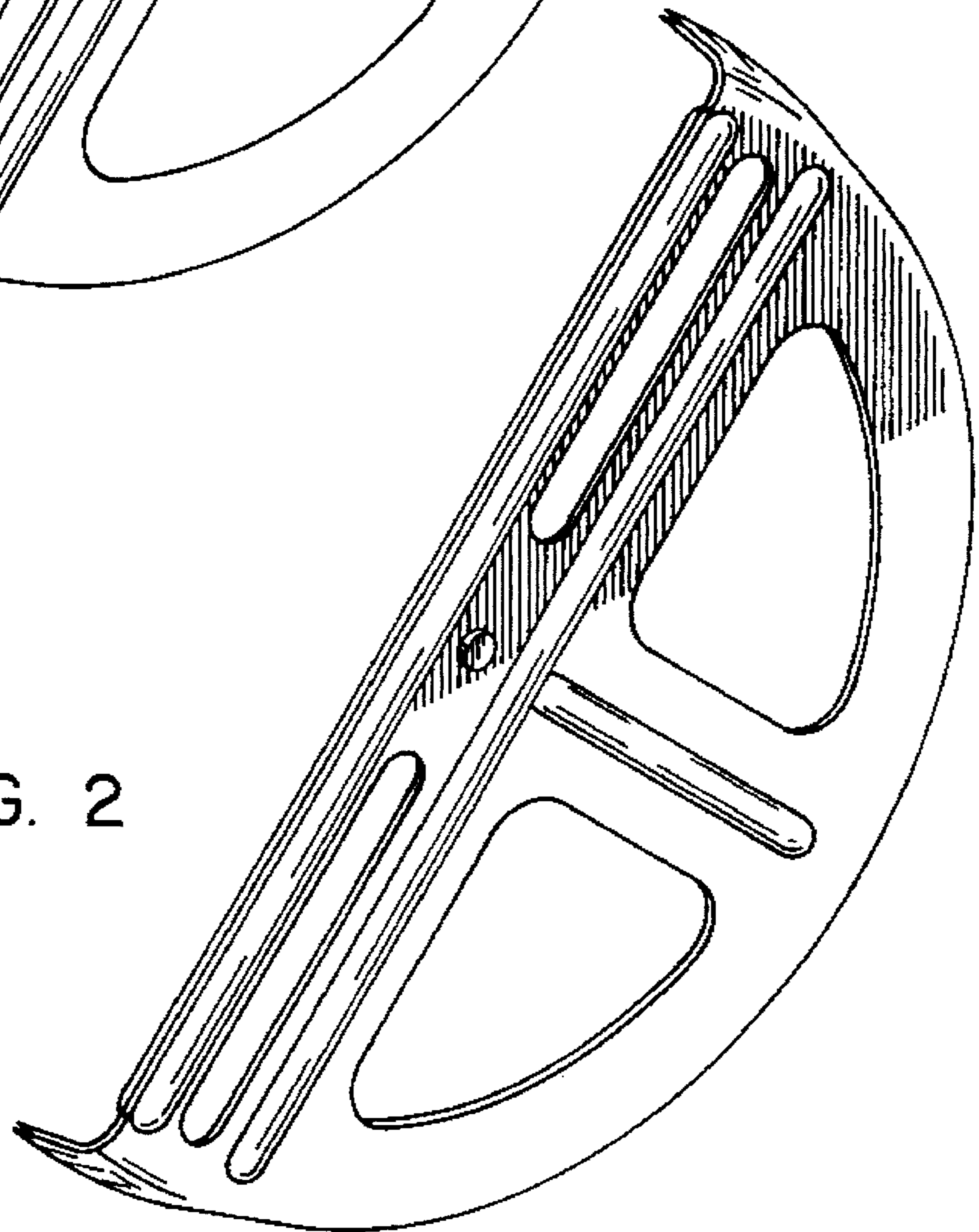


FIG. 2

FIG. 3

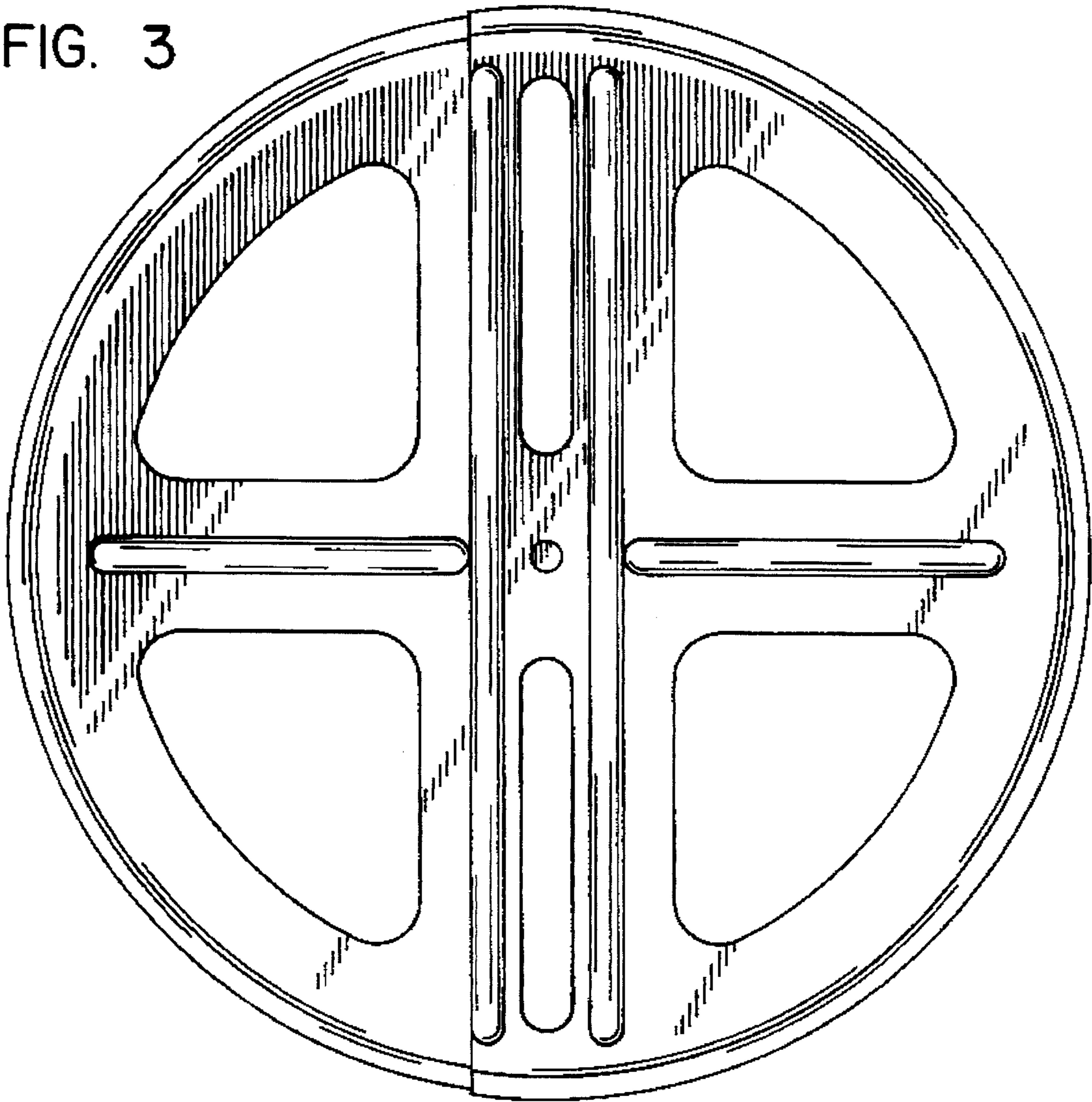


FIG. 4



FIG. 5

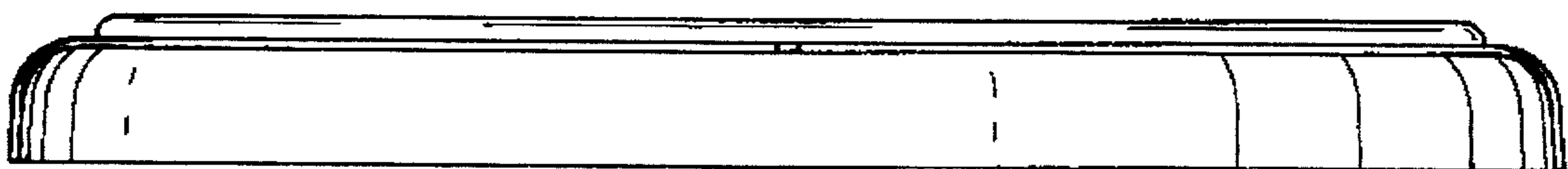
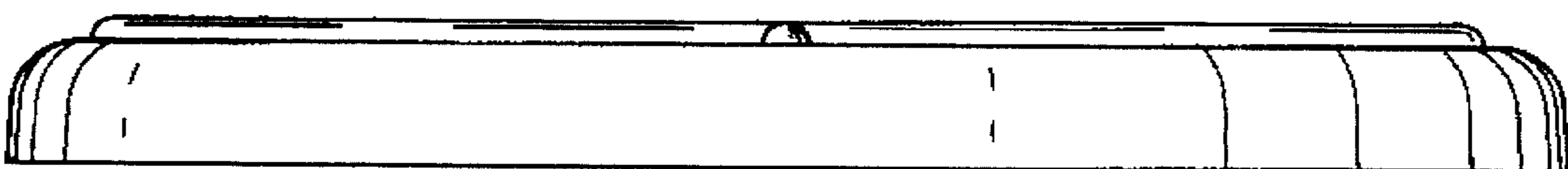


FIG. 6



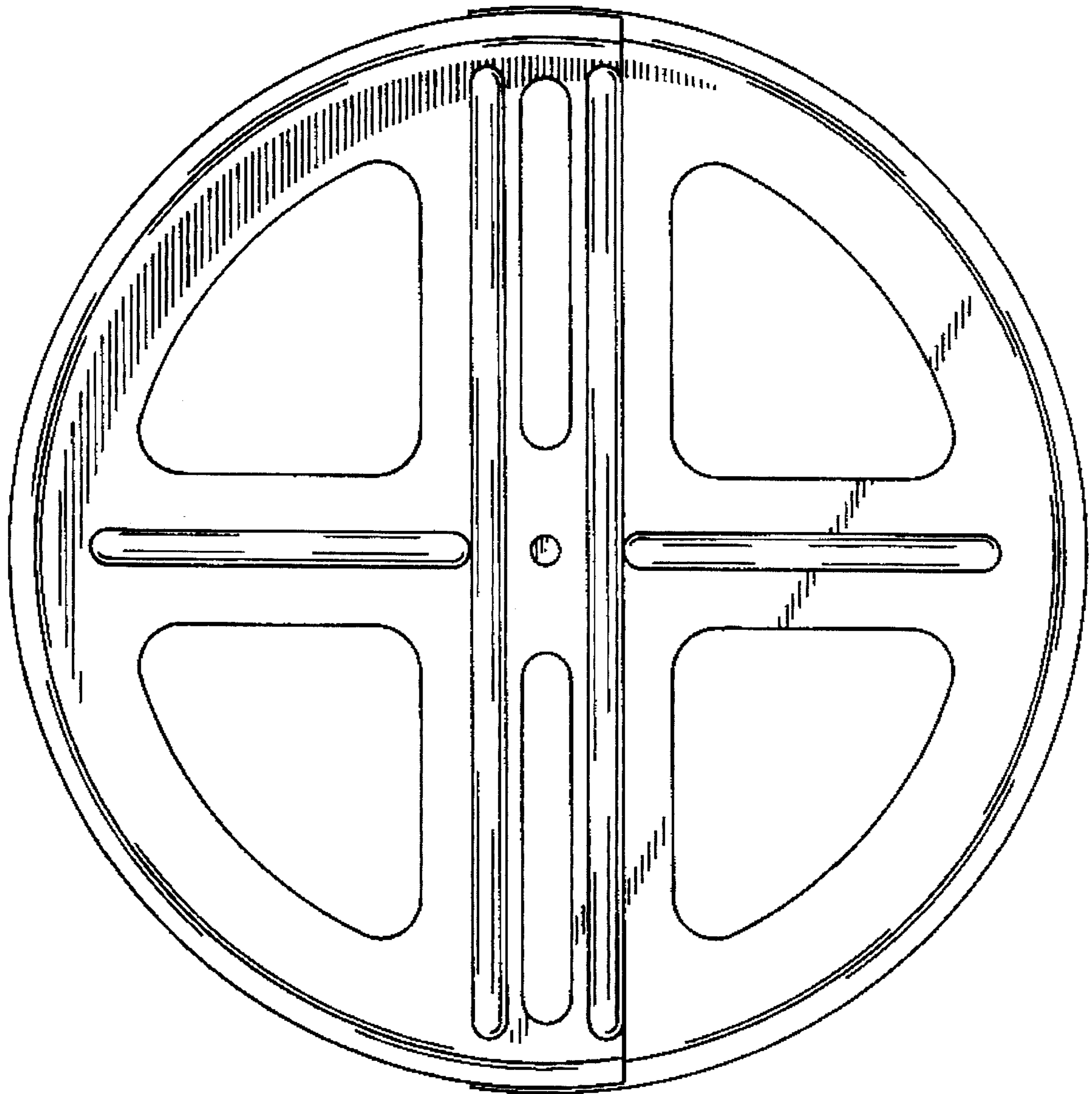


FIG. 7

FIG. 8

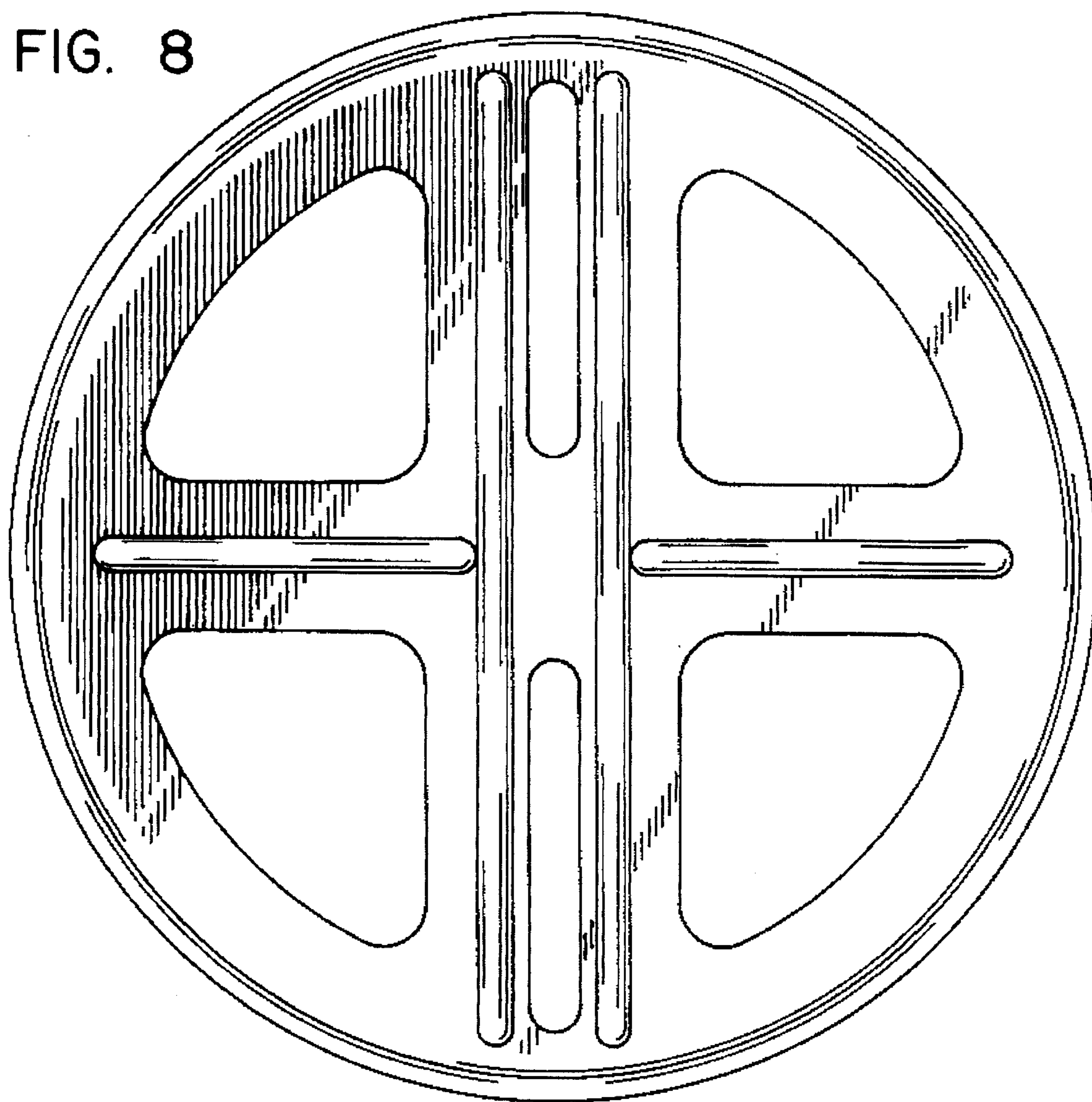


FIG. 9

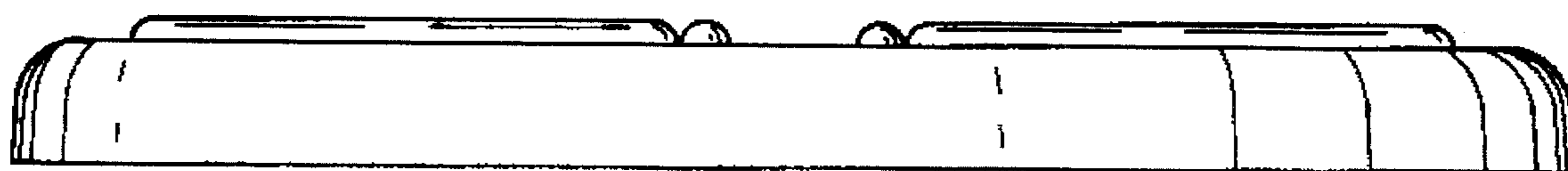


FIG. 10

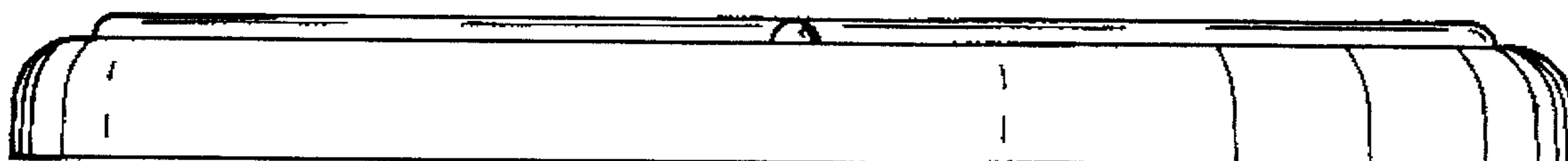


FIG. II

