



US00D372417S

**United States Patent** [19]  
**Jimenez**

[11] **Patent Number: Des. 372,417**  
[45] **Date of Patent: \*\*Aug. 6, 1996**

[54] **DOOR LOCK KEY CYLINDER HOUSING**

[75] Inventor: **Eduardo J. Jimenez**, Colorado Springs, Colo.

[73] Assignee: **Schlage Lock Company**, San Francisco, Calif.

[\*\*] Term: **14 Years**

[21] Appl. No.: **38,628**

[22] Filed: **May 8, 1995**

[52] U.S. Cl. .... **D8/343**

[58] Field of Search ..... D8/330-348; 70/158, 70/431, 449-451, DIG. 15

[56] **References Cited**

**U.S. PATENT DOCUMENTS**

- D. 348,202 6/1994 Booth ..... D8/330
- D. 348,210 6/1994 Bonzer ..... D8/331 X
- D. 364,548 11/1995 Platt ..... D8/331
- D. 365,011 12/1995 Myers ..... D8/343 X

**OTHER PUBLICATIONS**

Corbin Lock Catalogue (1943) p. 102 Cylinder Rings.  
Barrows Builders Hardware Catalogue (1941) p. 407, Cylinder rings.

*Primary Examiner*—Brian N. Vinson  
*Attorney, Agent, or Firm*—Robert F. Palermo

[57] **CLAIM**

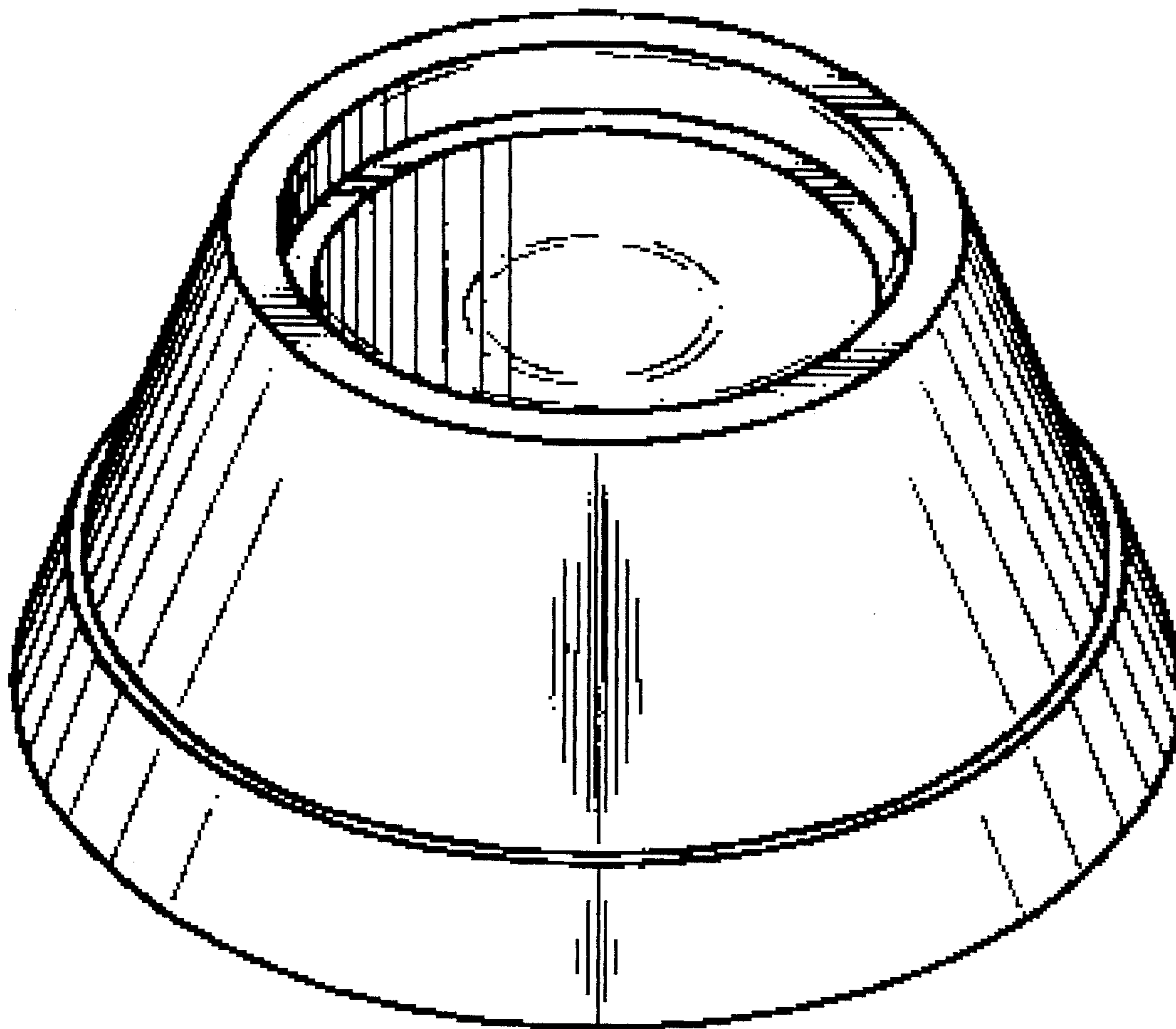
The ornamental design for a door lock key cylinder housing, as shown and described.

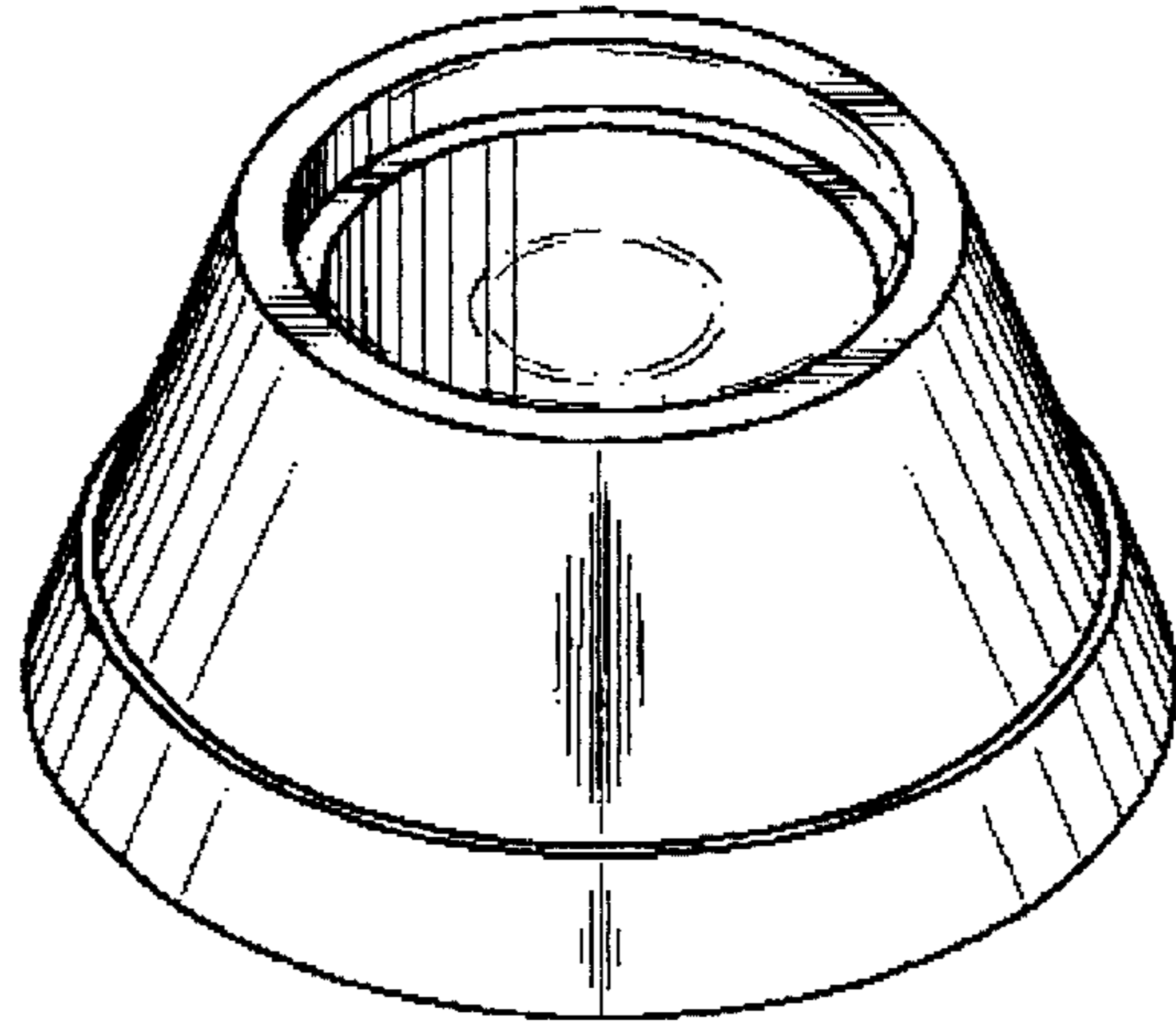
**DESCRIPTION**

FIG. 1 is a front and bottom perspective view of a door lock key cylinder housing showing my new design; FIG. 2 is a front elevational view thereof; FIG. 3 is a right side elevational view thereof, the left side being a mirror image of that shown; and, FIG. 4 is a rear elevational view thereof.

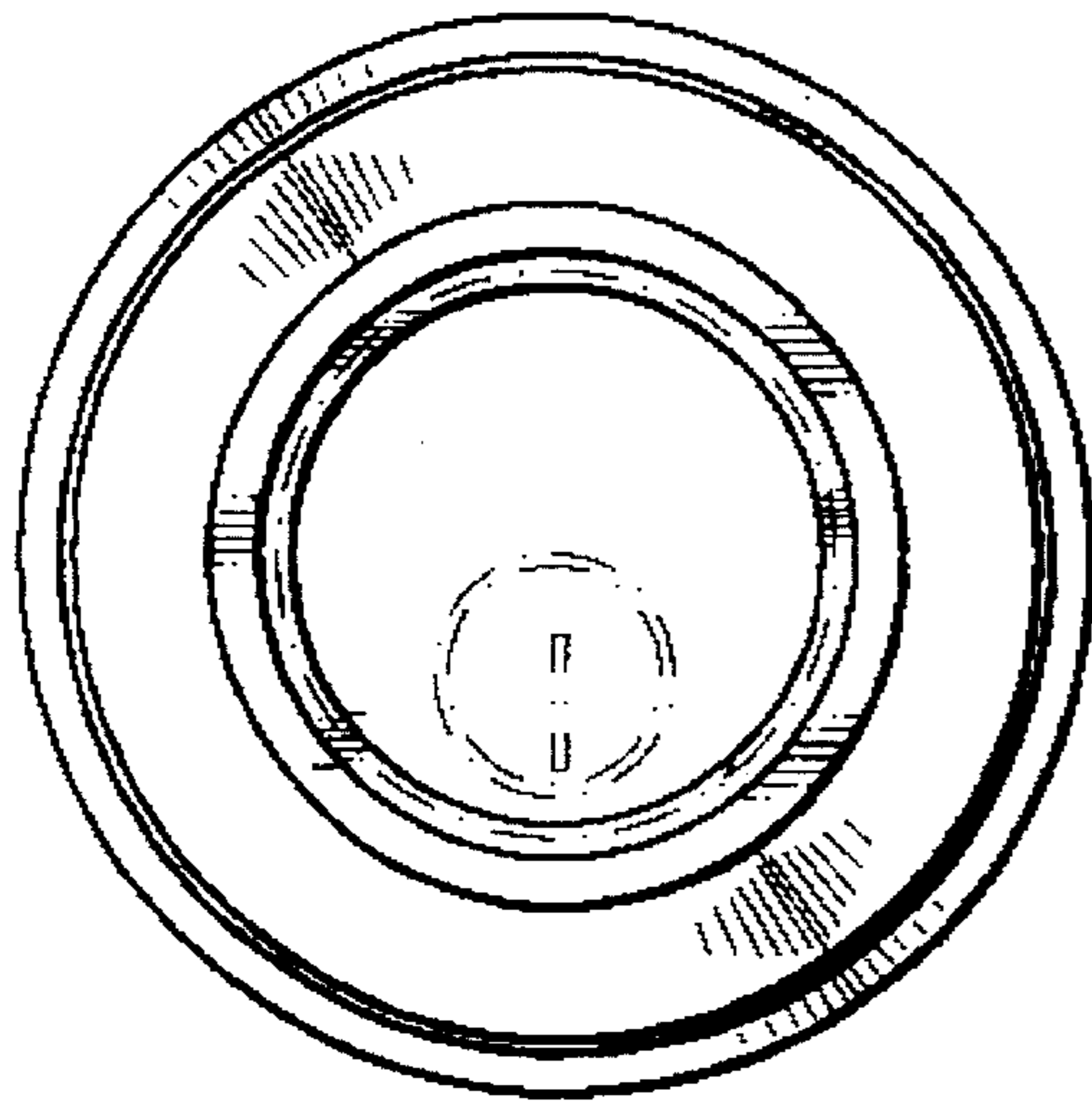
The broken-line disclosure is for illustrative purposes only and forms no part of the claimed design.

**1 Claim, 1 Drawing Sheet**

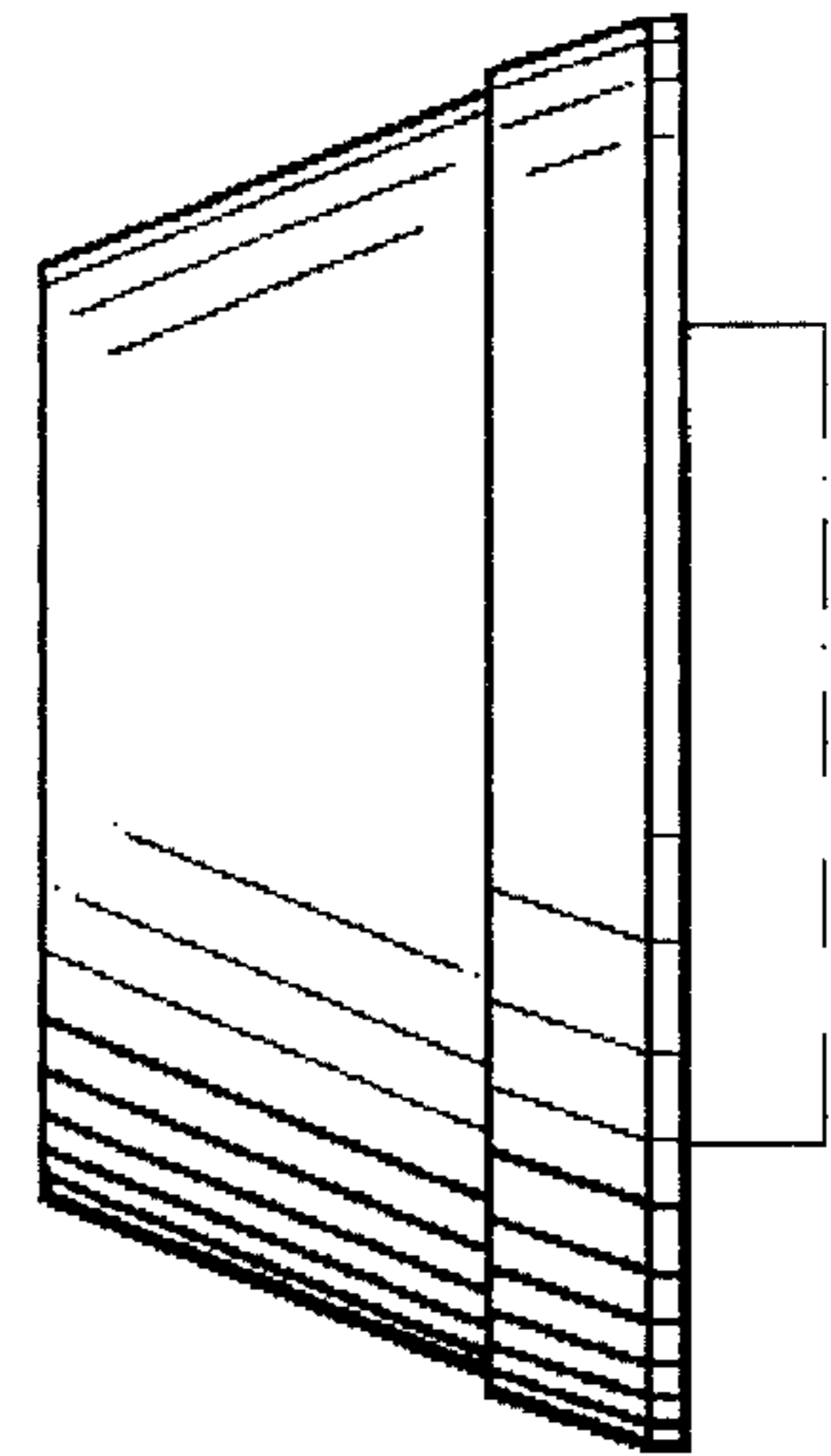




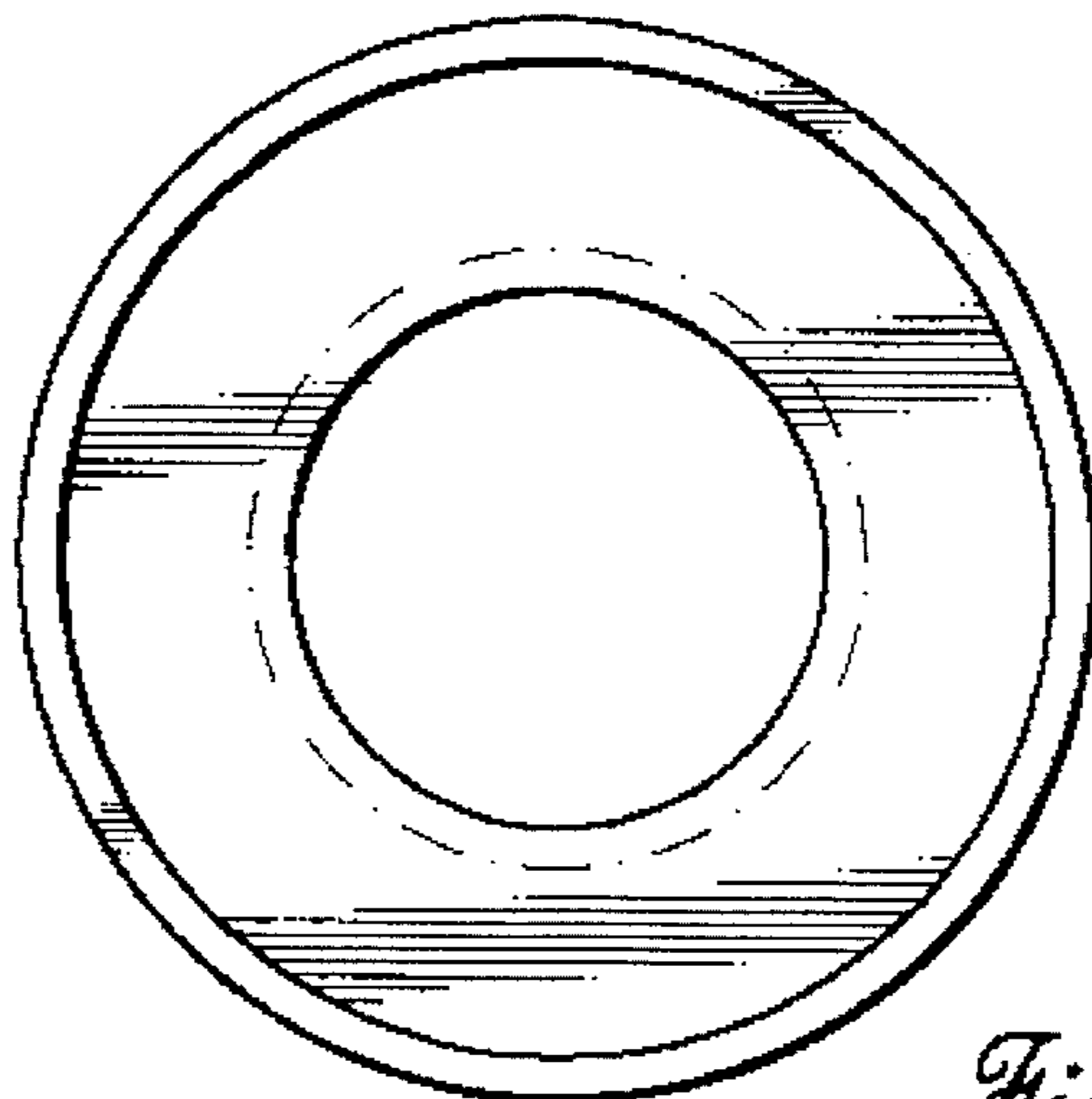
*Fig. 1*



*Fig. 2*



*Fig. 3*



*Fig. 4*