



US00D372407S

# United States Patent [19]

Haneda et al.

[11] Patent Number: **Des. 372,407**

[45] Date of Patent: **\*\*Aug. 6, 1996**

## [54] HEDGE TRIMMER

[75] Inventors: **Koji Haneda; Naohiro Hayakawa,**  
both of Anjo, Japan

[73] Assignee: **Makita Corporation,** Anjo, Japan

[\*\*] Term: **14 Years**

[21] Appl. No.: **40,842**

[22] Filed: **Jun. 28, 1995**

### [30] Foreign Application Priority Data

Dec. 29, 1994 [JP] Japan ..... 6-40178

[52] U.S. Cl. .... **D8/8**

[58] Field of Search ..... D8/8; 30/228,  
30/382-383; D15/16

### [56] References Cited

#### U.S. PATENT DOCUMENTS

D. 349,436 8/1994 Griffin et al. .... D8/8

D. 354,891 1/1995 McJunkin et al. .... D8/8

### OTHER PUBLICATIONS

"Das Bosch Programm Fur den Gartenbereich 1993/94"  
brochure, p. 9.

*Primary Examiner*—Holly H. Baynham  
*Attorney, Agent, or Firm*—Dennison, Meserole, Pollack &  
Scheiner

### [57] CLAIM

The ornamental design for a hedge trimmer, as shown and  
described.

### DESCRIPTION

FIG. 1 is a perspective view of a hedge trimmer showing our  
new design;

FIG. 2 is a front elevational view thereof;

FIG. 3 is a rear elevational view thereof;

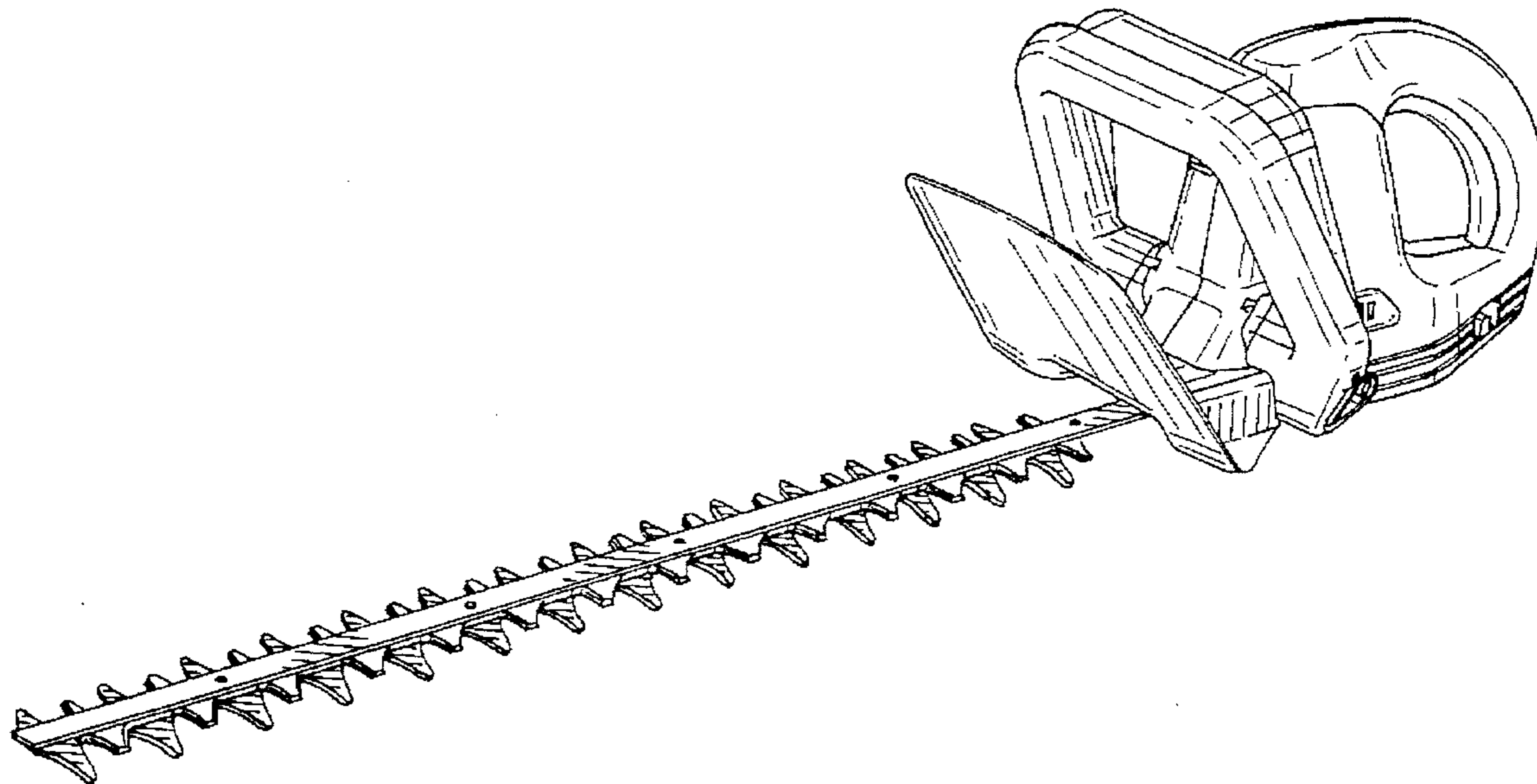
FIG. 4 is a left side elevational view thereof;

FIG. 5 is a right side elevational view thereof;

FIG. 6 is a top plan view thereof; and,

FIG. 7 is a bottom plan view thereof.

**1 Claim, 4 Drawing Sheets**



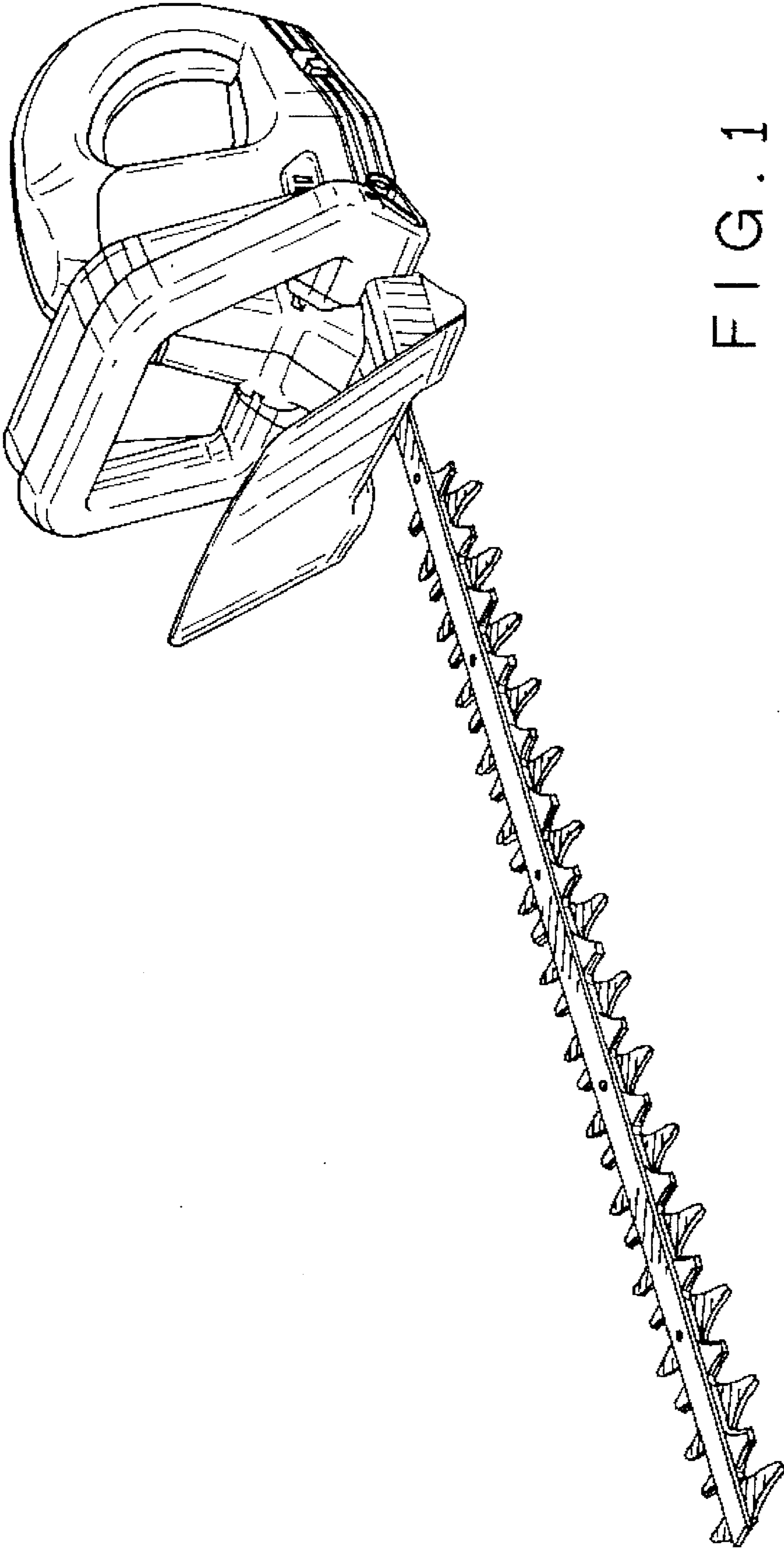


FIG. 1

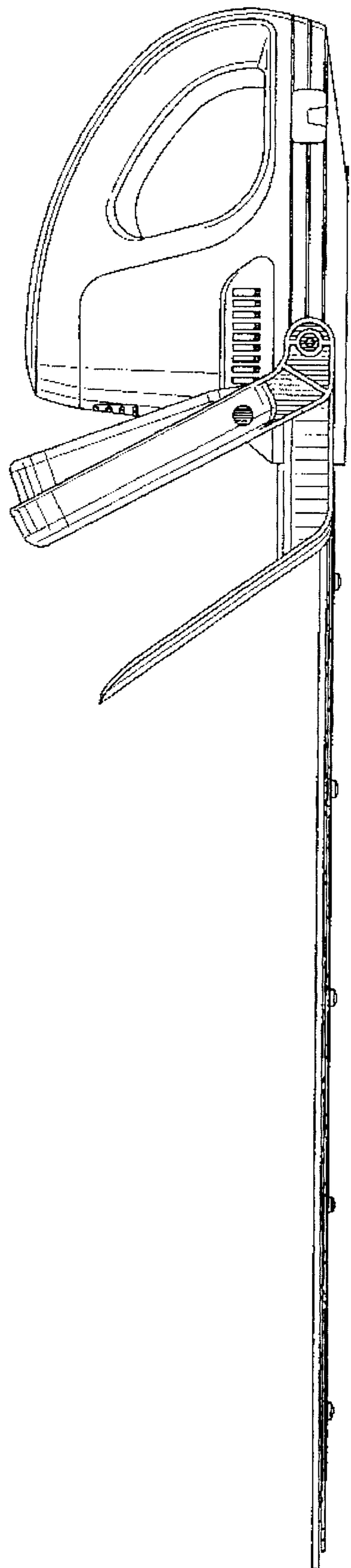


FIG. 2

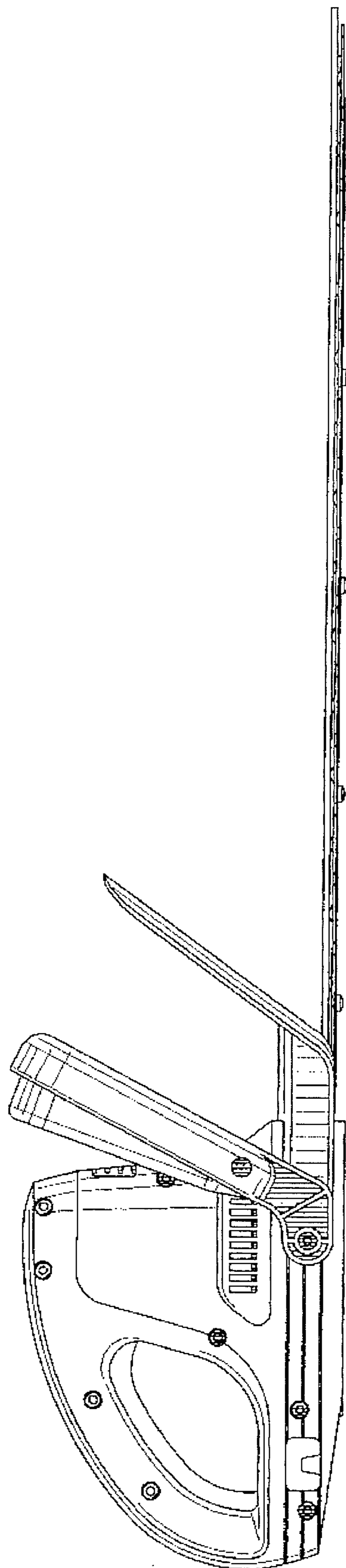


FIG. 3

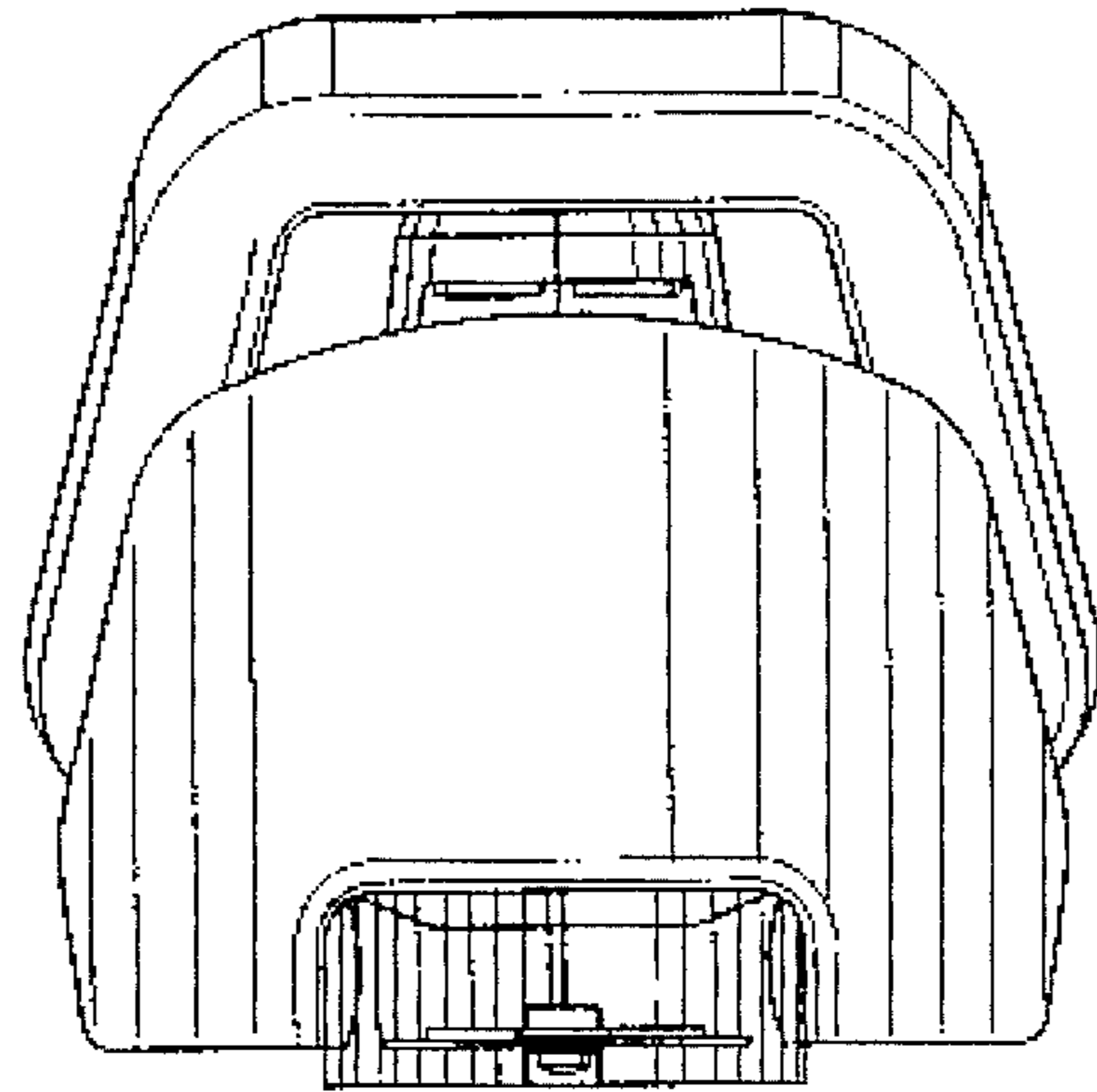


FIG. 4

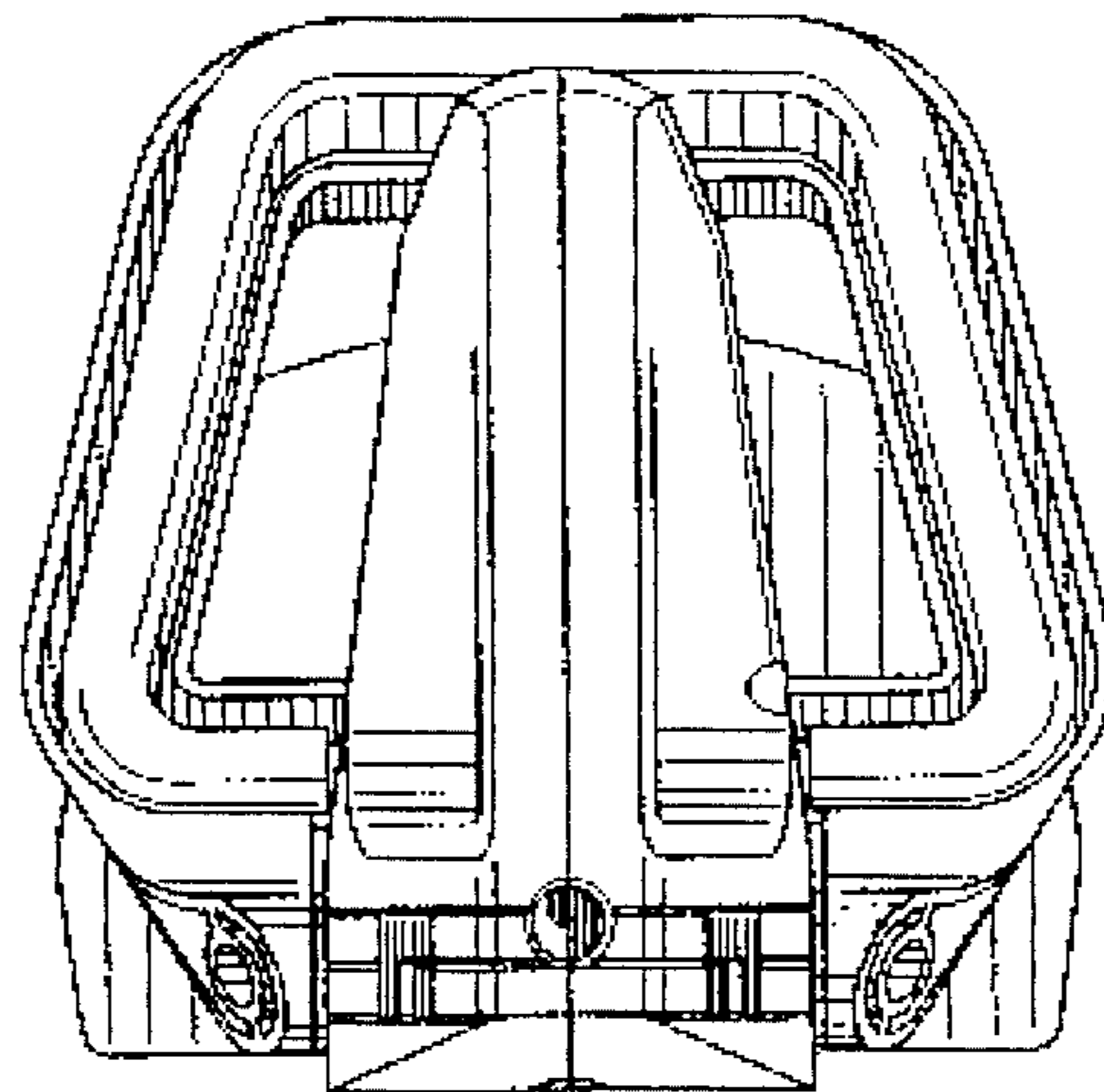


FIG. 5

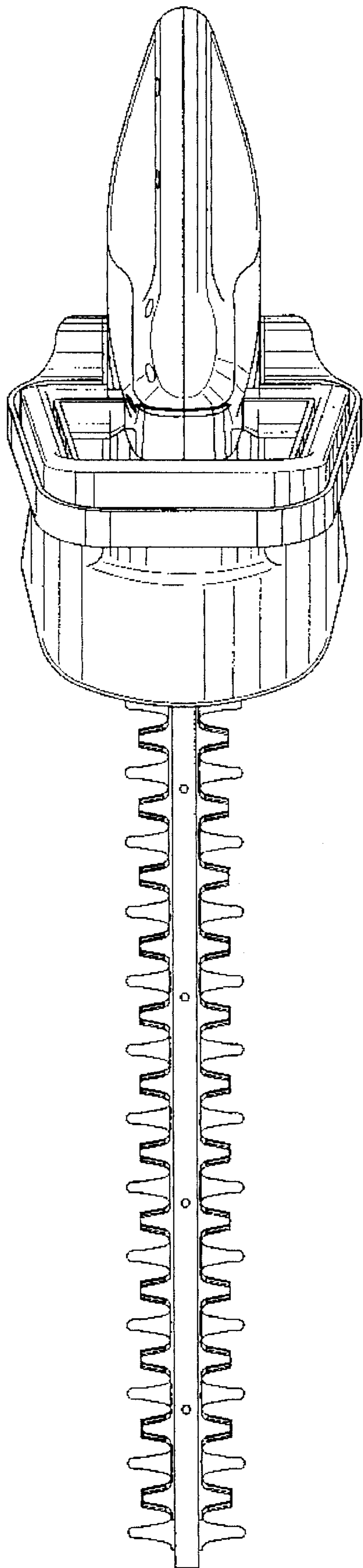


FIG. 6

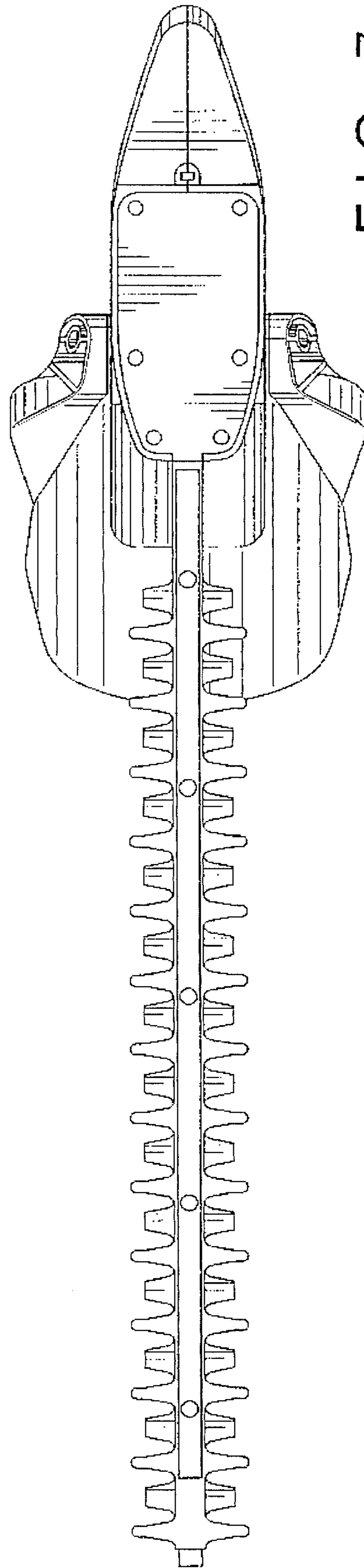


FIG. 7