



US00D372406S

# United States Patent [19] Scarvaglione

[11] Patent Number: **Des. 372,406**

[45] Date of Patent: **\*\*Aug. 6, 1996**

[54] **LAWN TOOL FOR MOVING LEAVES**

4,888,942 12/1989 Monaco ..... 56/400.01

[76] Inventor: **Louis Scarvaglione**, 2442 First St., Fort Lee, N.J. 07024

*Primary Examiner*—Holly H. Baynham  
*Attorney, Agent, or Firm*—Arnold D. Litt, Esq.; Herten, Burstein, Sheridan, Cevasco, Bottinelli & Litt

[\*\*] Term: **14 Years**

[57] **CLAIM**

[21] Appl. No.: **35,777**

The ornamental design for a lawn tool for moving leaves, as shown and described.

[22] Filed: **Mar. 6, 1995**

[52] U.S. Cl. .... **D8/1**

**DESCRIPTION**

[58] **Field of Search** ..... D8/1, 7, 9, 11;  
172/371-372, 375-376; 56/400.01; 294/50.8;  
7/14-16

FIG. 1 is a perspective view of a lawn tool for moving leaves;

FIG. 2 is a top plan view thereof;

FIG. 3 is a bottom plan view thereof;

FIG. 4 is a side elevational view thereof;

FIG. 5 is an opposite side elevational view thereof;

FIG. 6 is a frontal elevational view thereof; and,

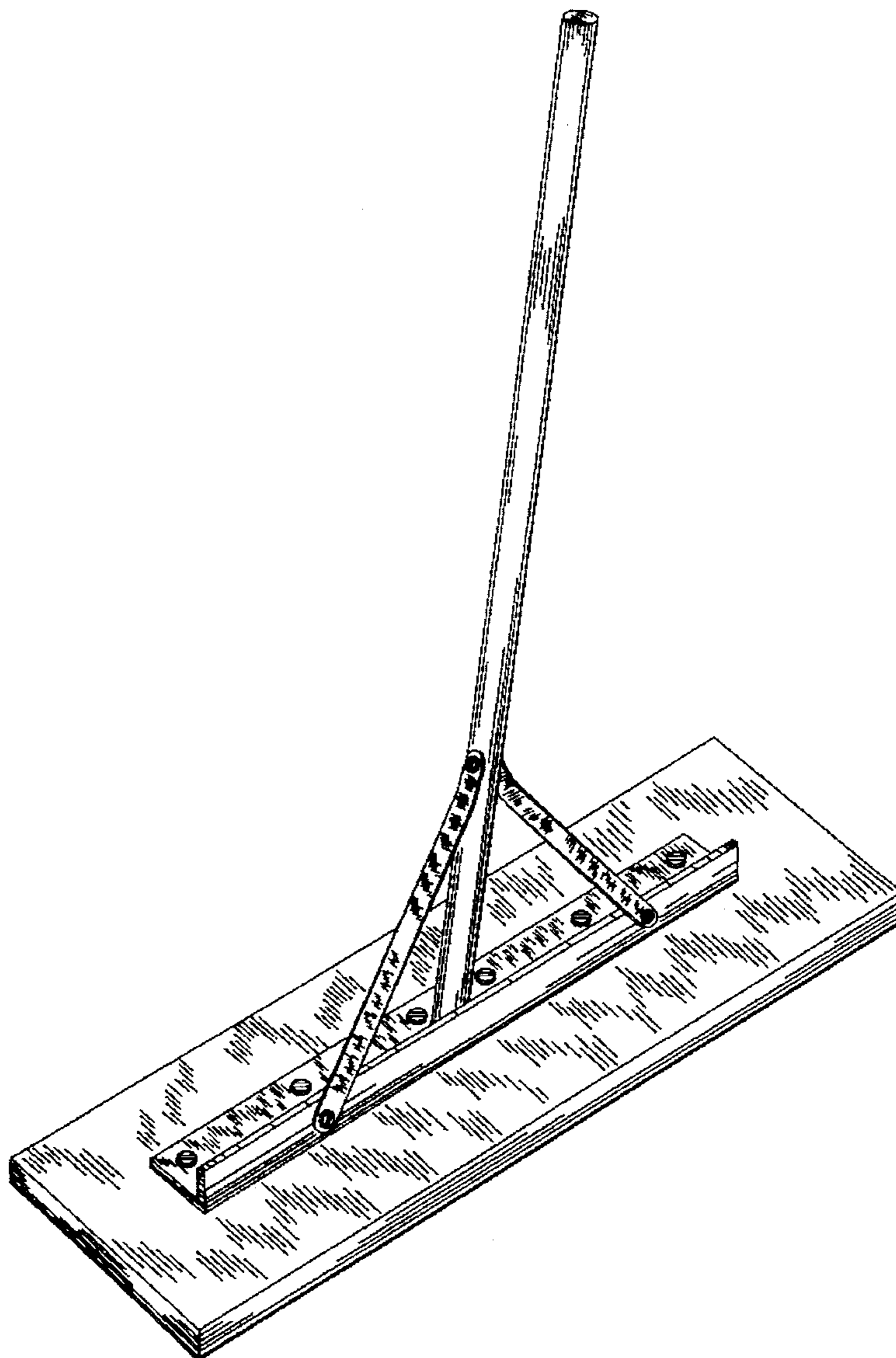
FIG. 7 is a rear elevational view thereof.

[56] **References Cited**

**U.S. PATENT DOCUMENTS**

1,927,196	9/1933	Young	.....	172/371	X
3,053,311	9/1962	Nottage	.....	56/400.01	
4,375,299	3/1983	Laven	.....	172/376	X
4,550,943	11/1985	Mirto	.....	294/50.8	X

**1 Claim, 5 Drawing Sheets**



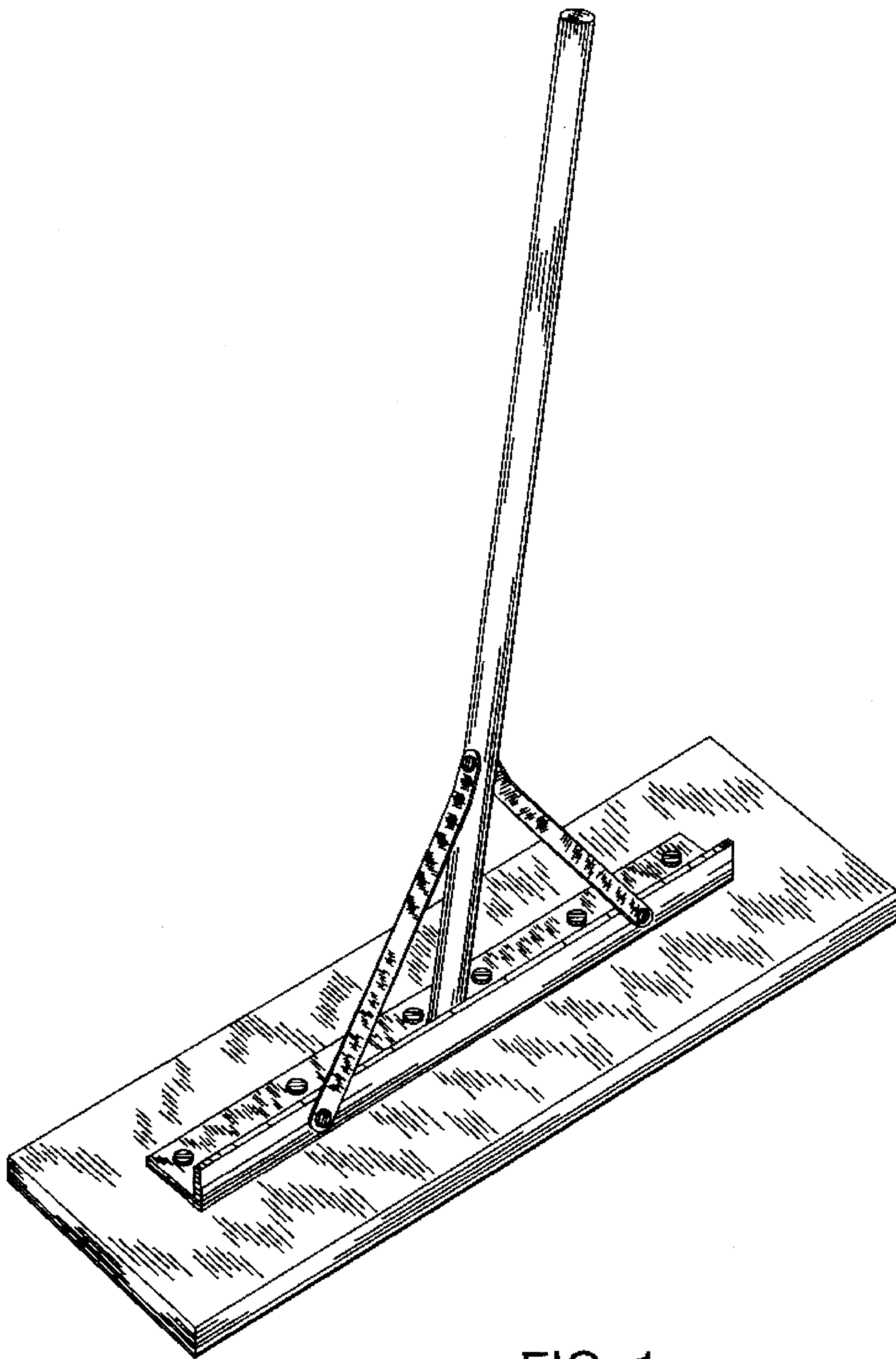


FIG. 1

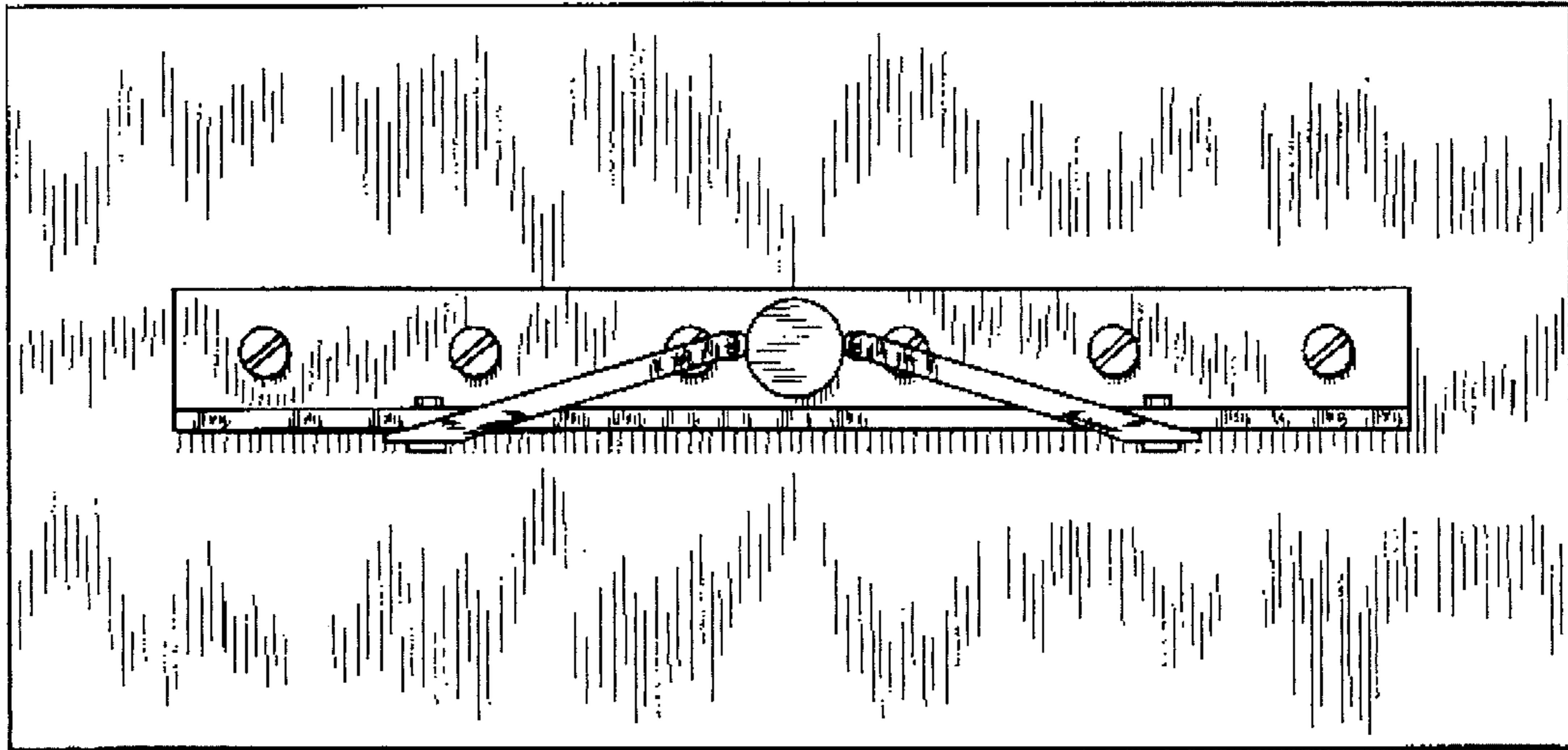


FIG. 2

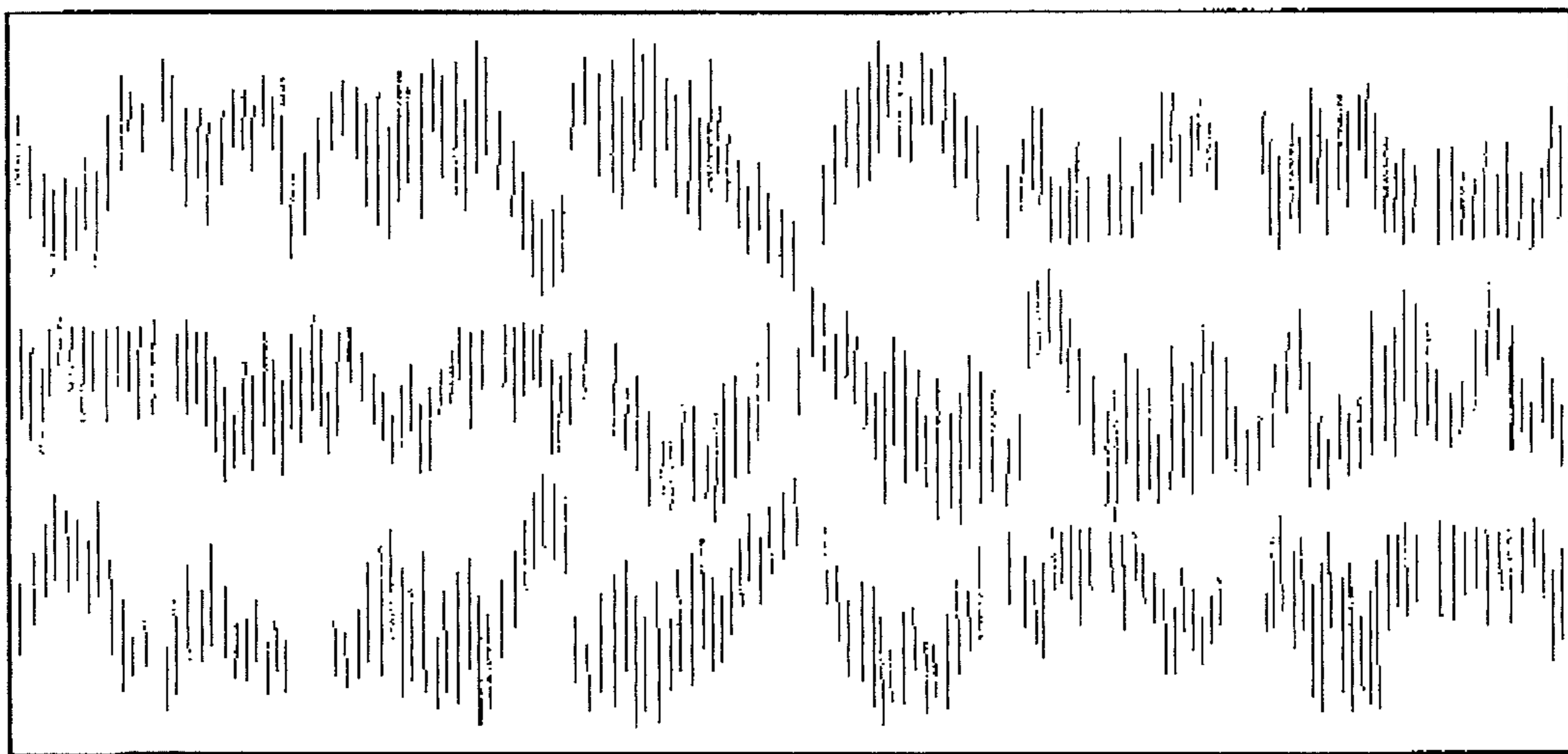


FIG. 3

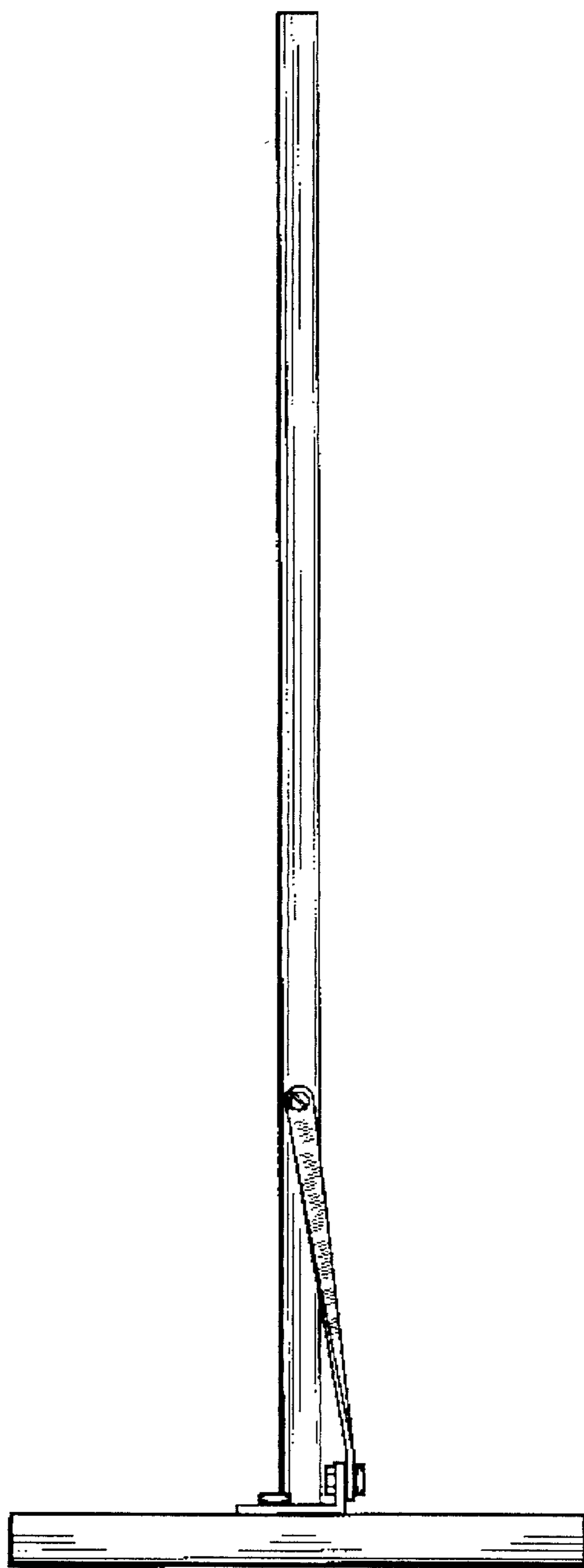


FIG. 4

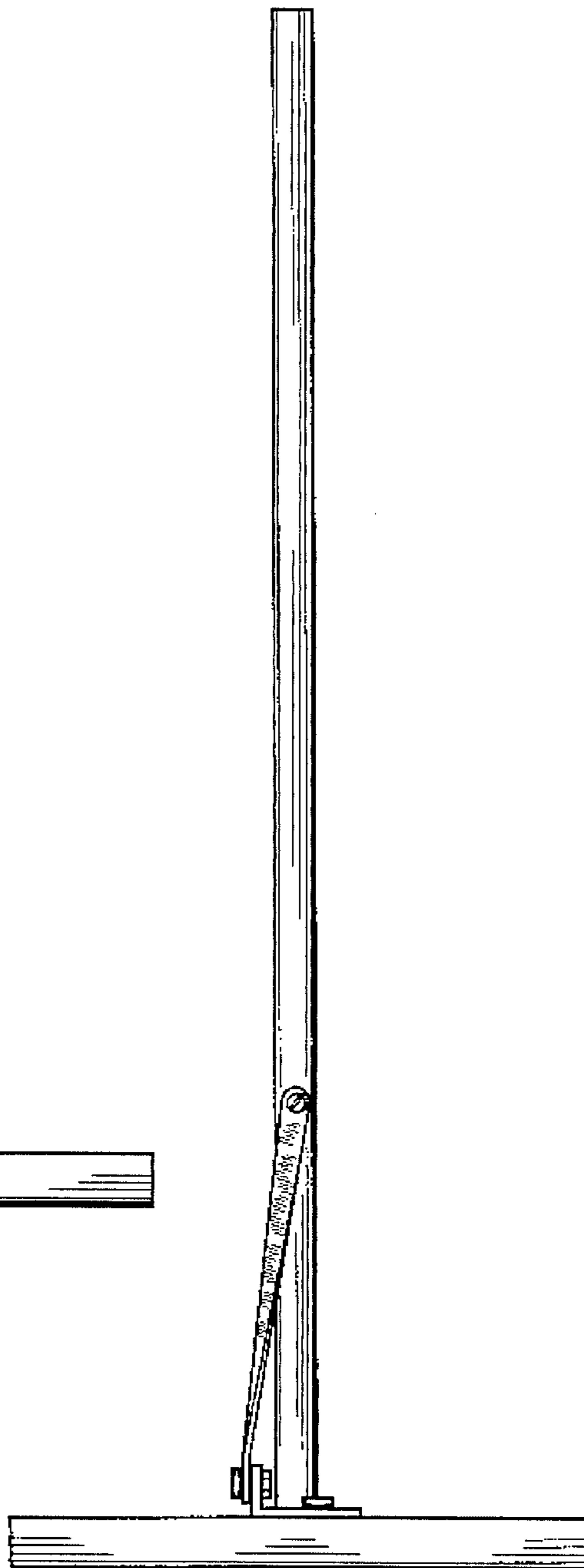


FIG. 5

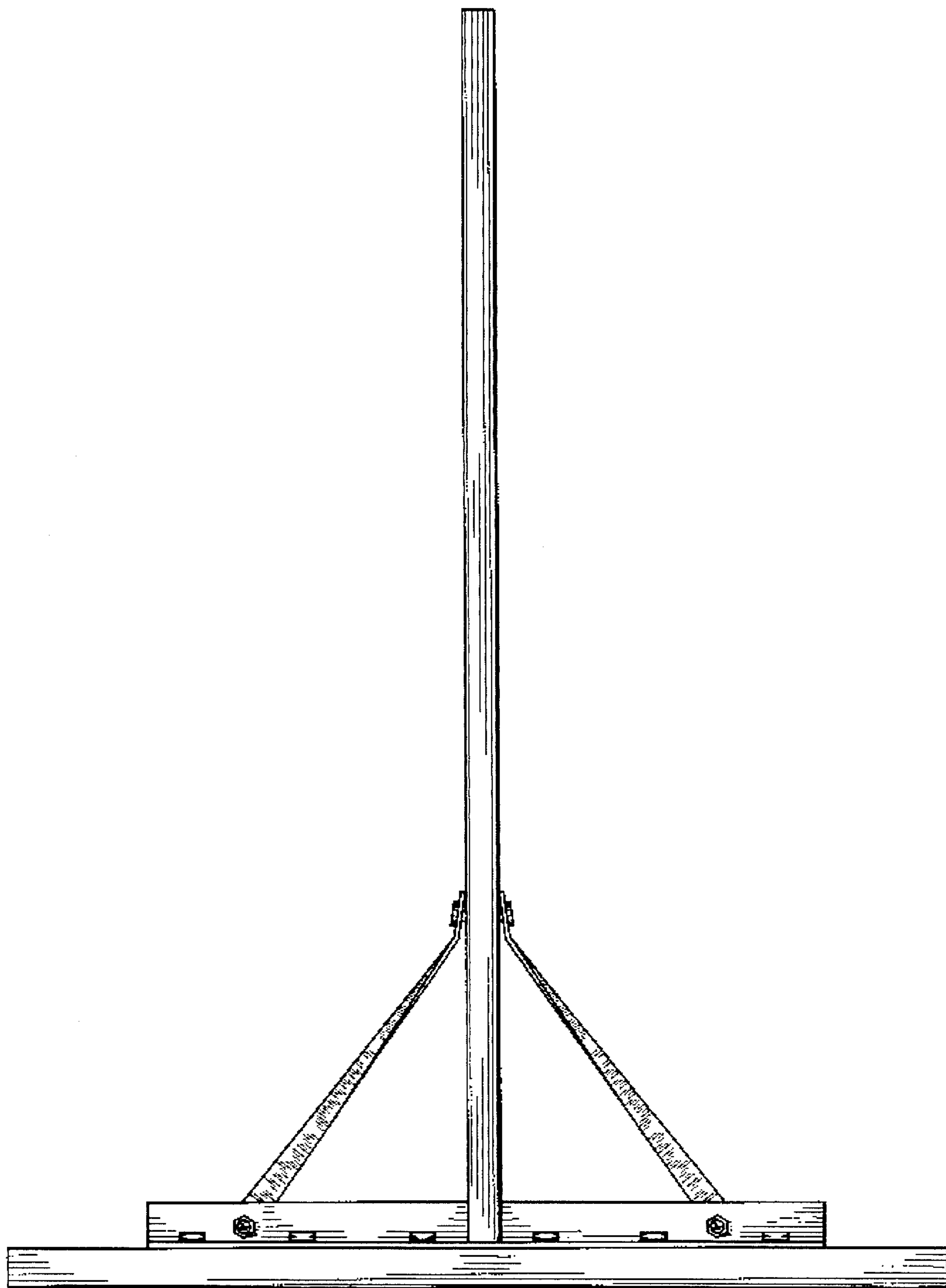


FIG. 6



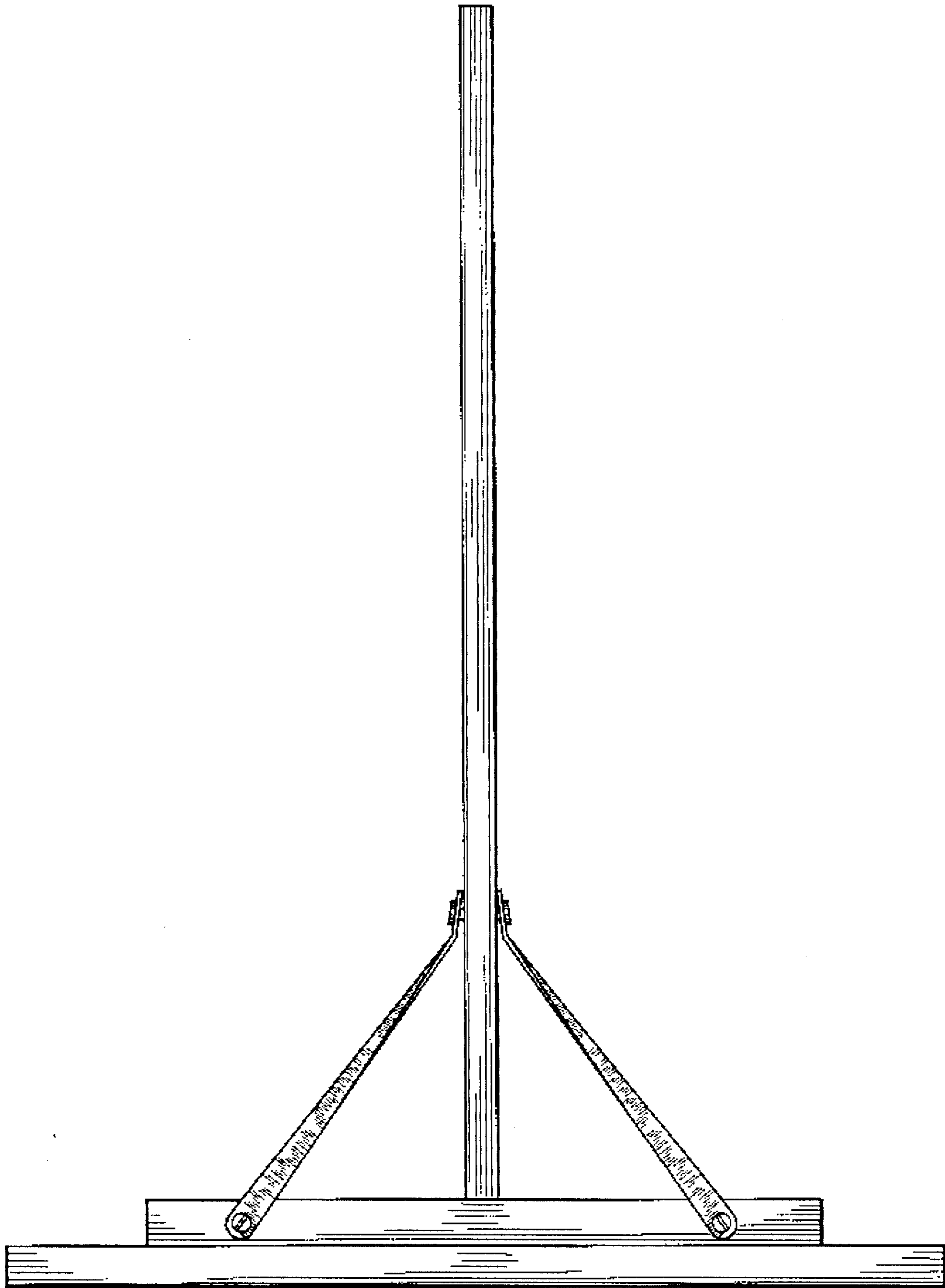


FIG. 7