



US00D372405S

# United States Patent [19]

[11] Patent Number: **Des. 372,405**

Notaras et al.

[45] Date of Patent: **\*\*Aug. 6, 1996**

[54] **LAWN EDGER**

[76] Inventors: **John A. Notaras; Angelo L. Notaras,**  
both of P.O. Box 513, Rozelle NSW  
2039, Australia

[\*\*] Term: **14 Years**

[21] Appl. No.: **29,389**

[22] Filed: **Oct. 4, 1994**

[30] **Foreign Application Priority Data**

Mar. 30, 1994 [AU] Australia ..... 1029/94

[52] U.S. Cl. .... **D8/1**

[58] Field of Search ..... D8/1, 8; 56/12.1,  
56/12.7, 17.1, 17.2; 172/17

[56] **References Cited**

**U.S. PATENT DOCUMENTS**

- Re. 32,266 10/1986 Tuggle et al .
- 2,478,813 8/1949 Esleck .
- 2,618,919 11/1952 Hutchens .
- 2,621,463 12/1952 Skillman .
- 2,632,990 3/1953 Stricklen .
- 2,653,381 9/1953 Rooke .
- 2,672,002 3/1954 Nelson .
- 2,680,945 6/1954 Reed .
- 2,706,941 4/1955 Swanson .
- 2,707,859 5/1955 Walker .
- 2,708,335 5/1955 Newton .
- 2,719,398 10/1955 Hutchens .
- 2,791,875 5/1957 Faas .
- 2,847,813 8/1958 Hanson, Jr. .
- 2,855,742 10/1958 Cooper .
- 2,930,176 3/1960 Lindell .
- 3,090,186 5/1963 Dykes .
- 3,106,251 10/1963 Lucas ..... 172/17 X
- 3,130,793 4/1964 Allegretti .
- 3,168,147 2/1965 Peters .
- 3,193,996 7/1965 Wellborn ..... 56/17.1 X
- 3,490,213 1/1970 Pinto .

- 3,533,223 10/1970 Gunn .
- 3,734,196 5/1973 Mangum .
- 3,743,028 7/1973 McCloud .
- 4,033,098 7/1977 Green .
- 4,182,100 1/1980 Letter .
- 4,286,675 9/1981 Tuggle .
- 4,364,435 12/1982 Tuggle .
- 4,442,659 4/1984 Enbusk .
- 4,531,350 7/1985 Hutchmacher .
- 4,803,831 2/1989 Carmine .
- 4,845,929 7/1989 Kawasaki et al. .
- 4,879,869 11/1989 Buckendorf, Jr. .
- 4,894,916 1/1990 Nimz .
- 4,922,694 5/1990 Emoto .
- 4,936,886 6/1990 Quillen .
- 4,962,631 10/1990 Braun et al. .... 172/17 X
- 4,984,417 1/1991 Braun et al. .
- 5,029,435 7/1991 Buchanan .
- 5,070,685 12/1991 Galt ..... 172/17 X
- 5,095,687 3/1992 Andrew et al. .
- 5,156,217 10/1992 Hirata et al. .
- 5,165,485 11/1992 Fujikawa et al. .

**FOREIGN PATENT DOCUMENTS**

- 107917 12/1938 Australia .
- 1260223 2/1968 Germany ..... 172/17

*Primary Examiner*—Holly H. Baynham  
*Attorney, Agent, or Firm*—Hugh D. Jaeger

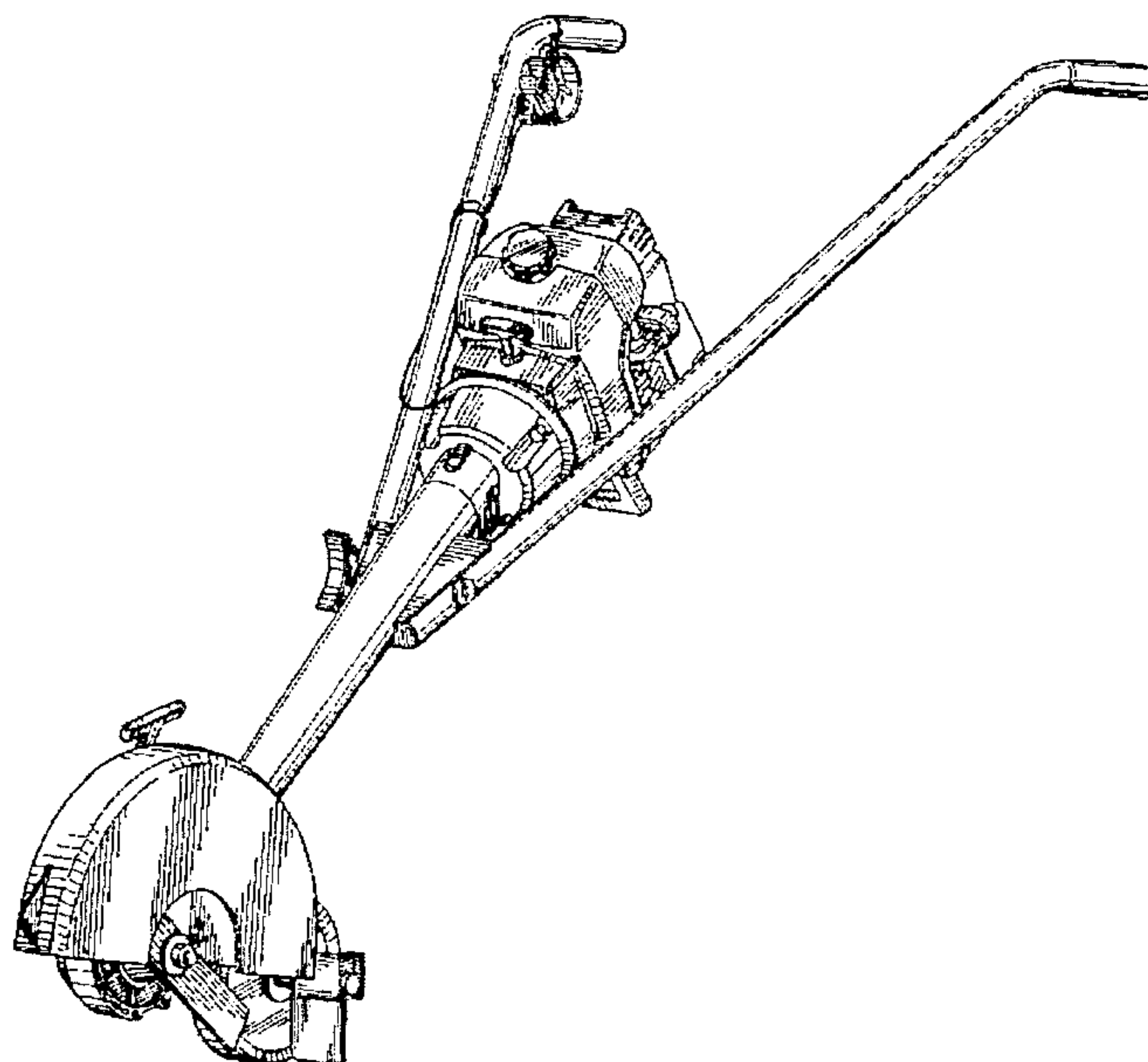
[57] **CLAIM**

The ornamental design for a lawn edger, as shown.

**DESCRIPTION**

FIG. 1 illustrates a perspective view thereof;  
FIG. 2 illustrates a left side view thereof;  
FIG. 3 illustrates a top plan view thereof;  
FIG. 4 illustrates a bottom plan view thereof;  
FIG. 5 illustrates a right side view thereof;  
FIG. 6 illustrates a rear view thereof; and,  
FIG. 7 illustrates a front view thereof.

**1 Claim, 7 Drawing Sheets**



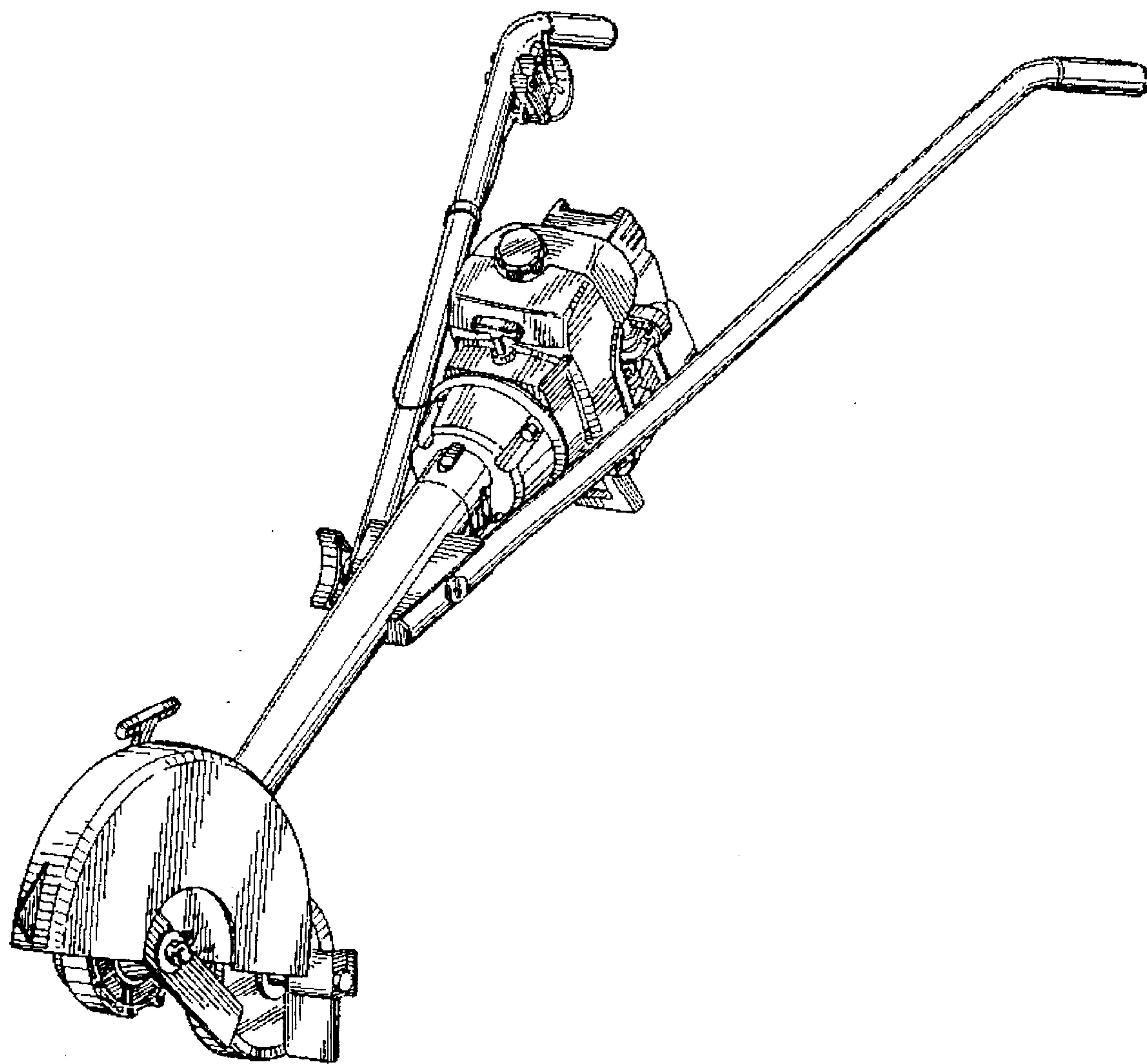


FIG. 1

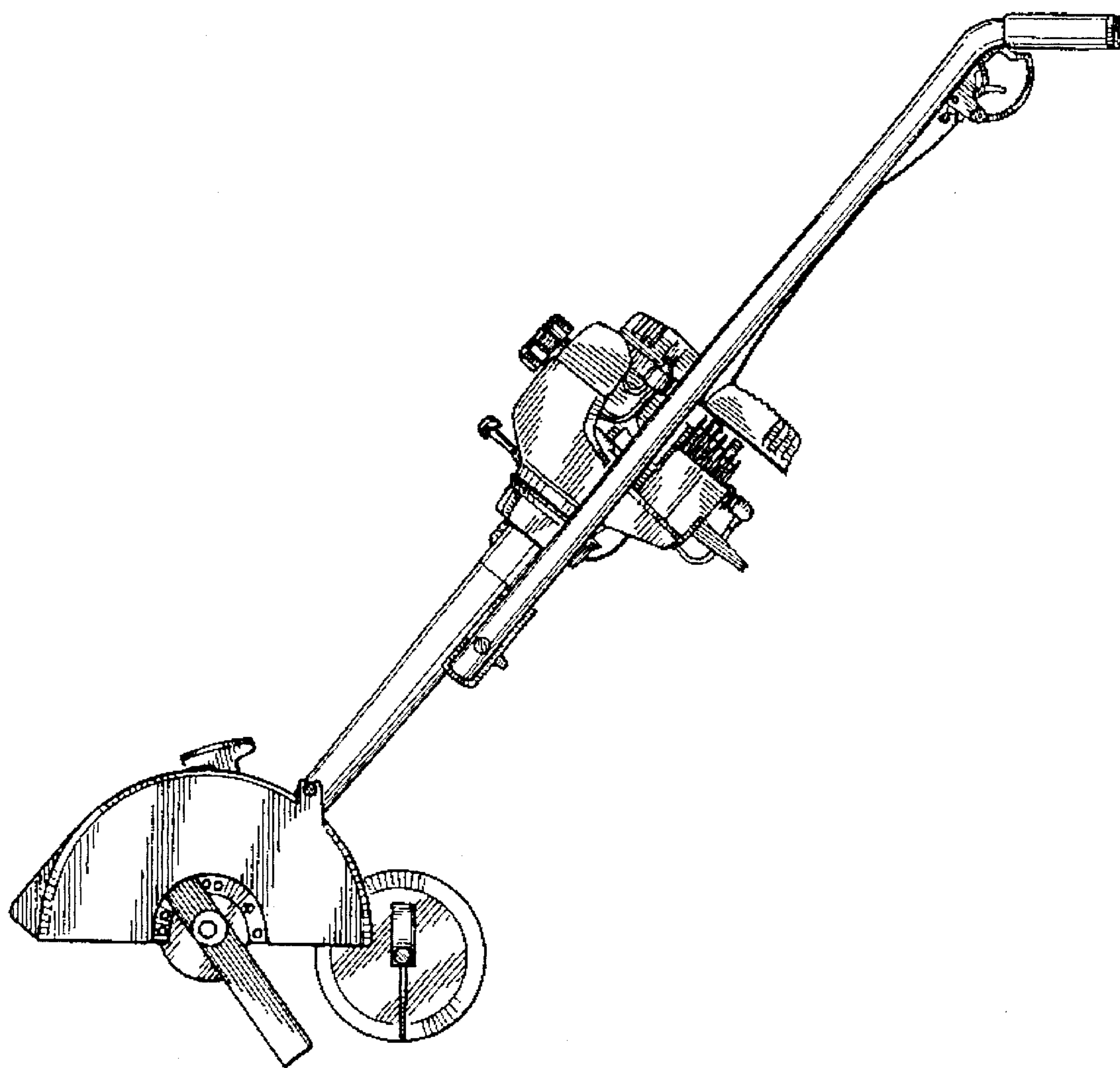


FIG. 2

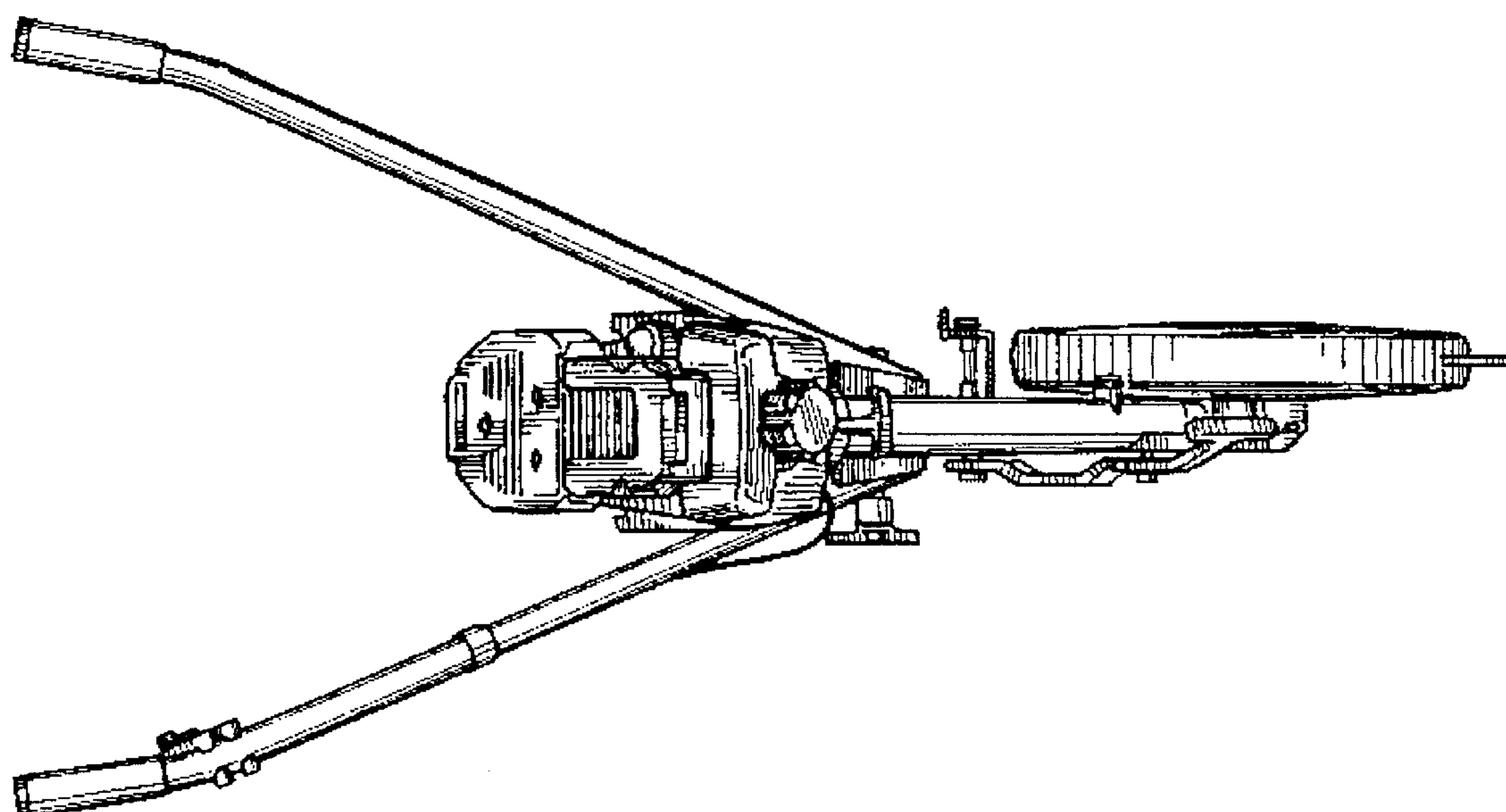


FIG. 3



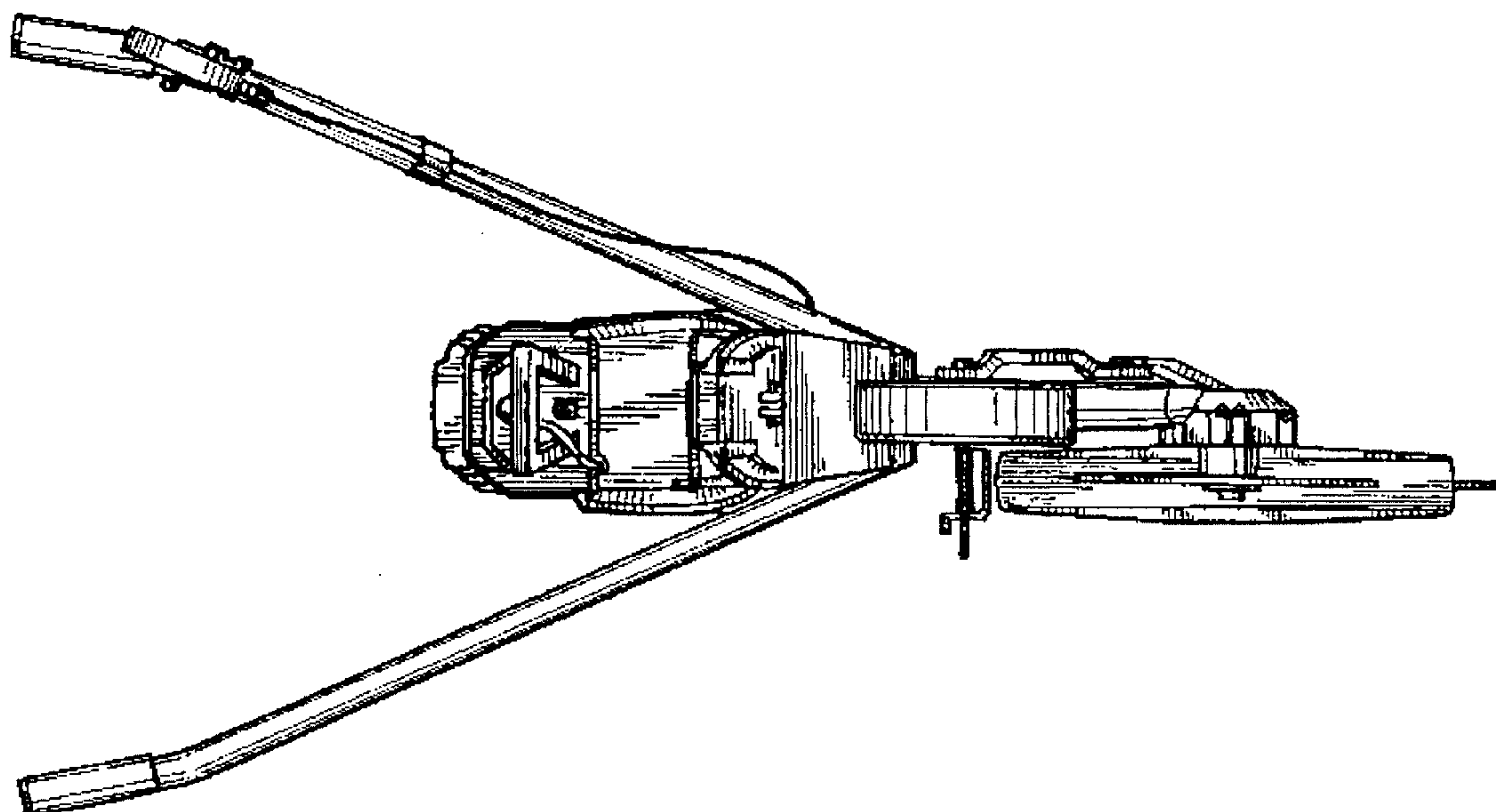


FIG. 4

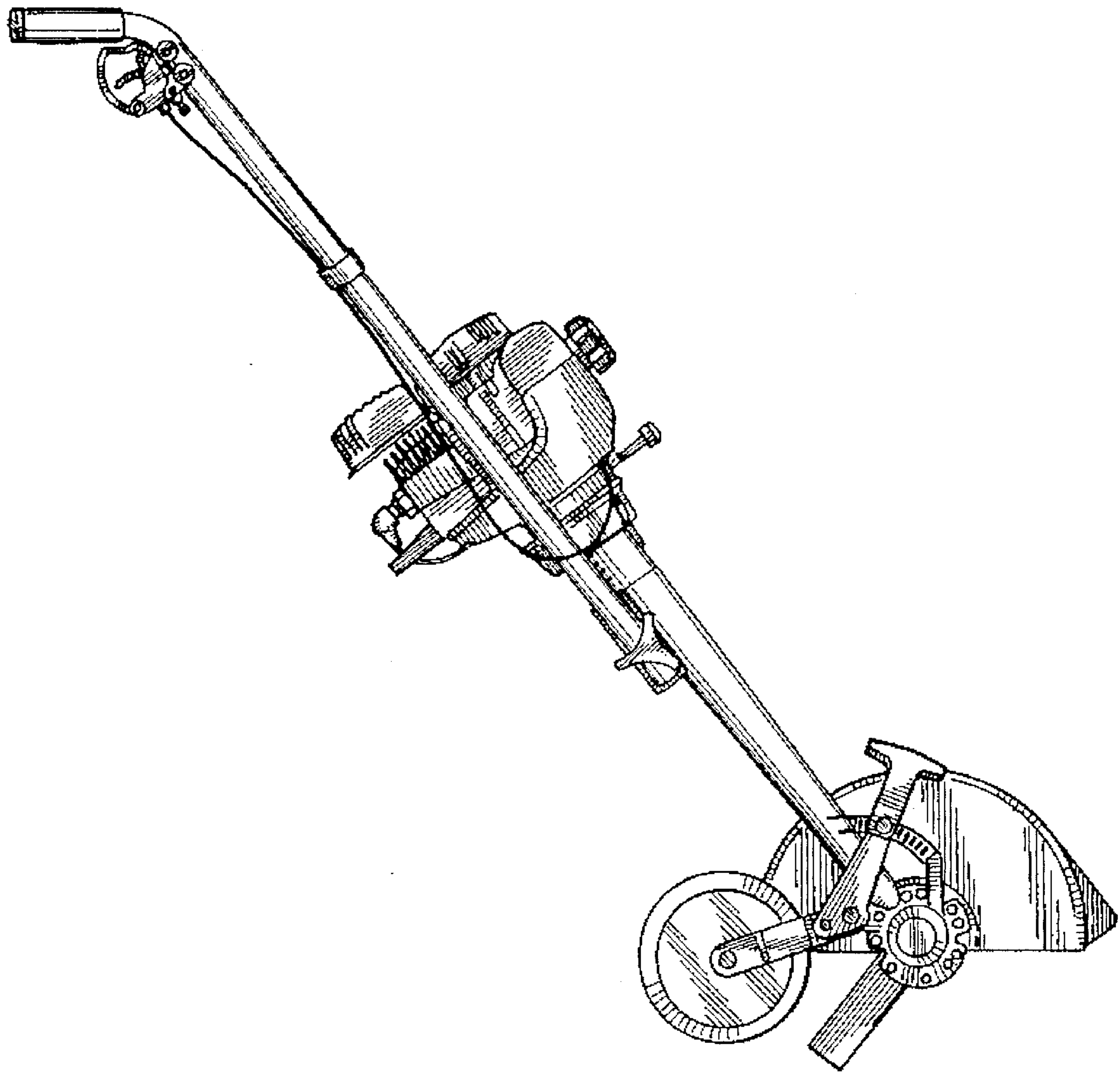


FIG. 5

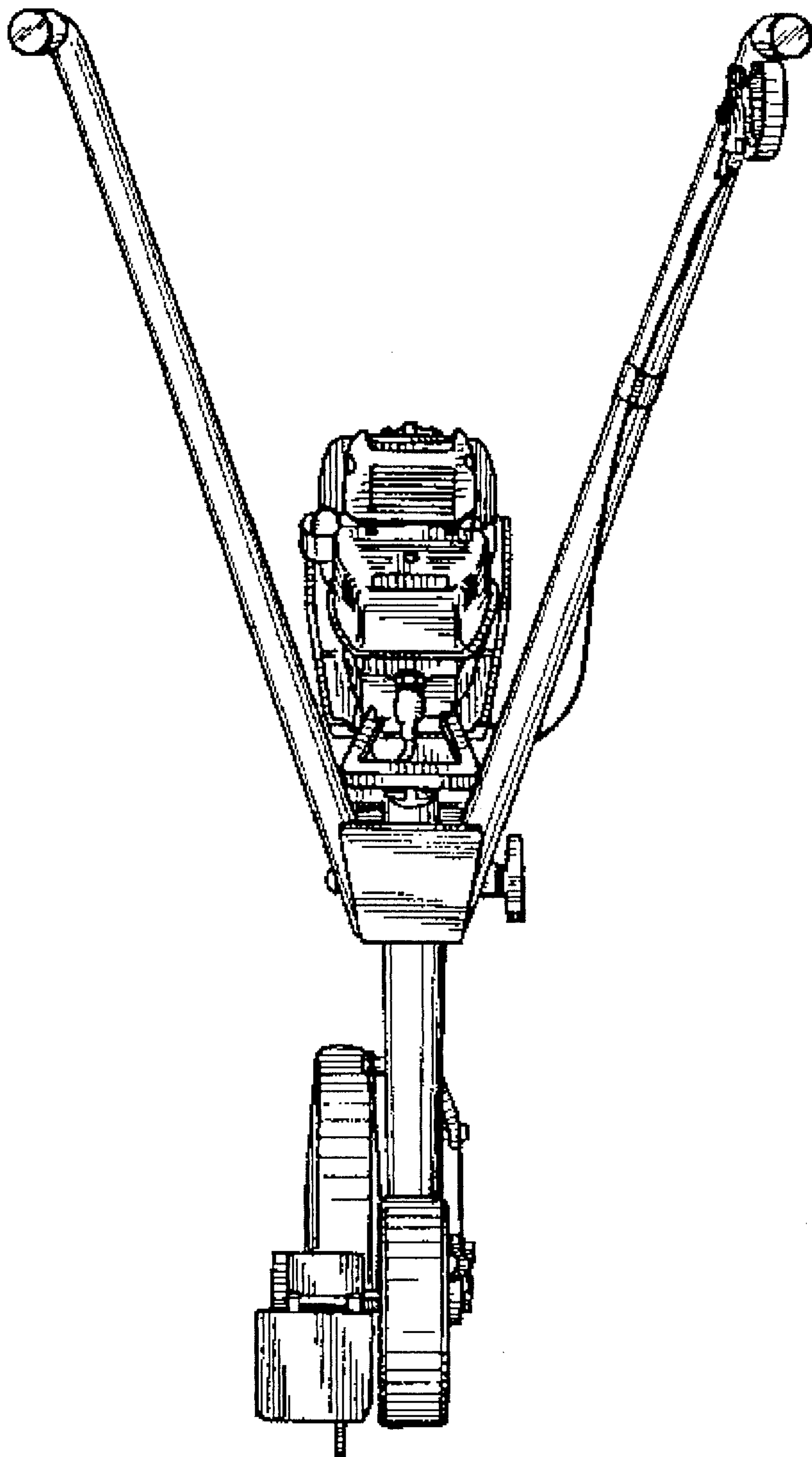


FIG. 6

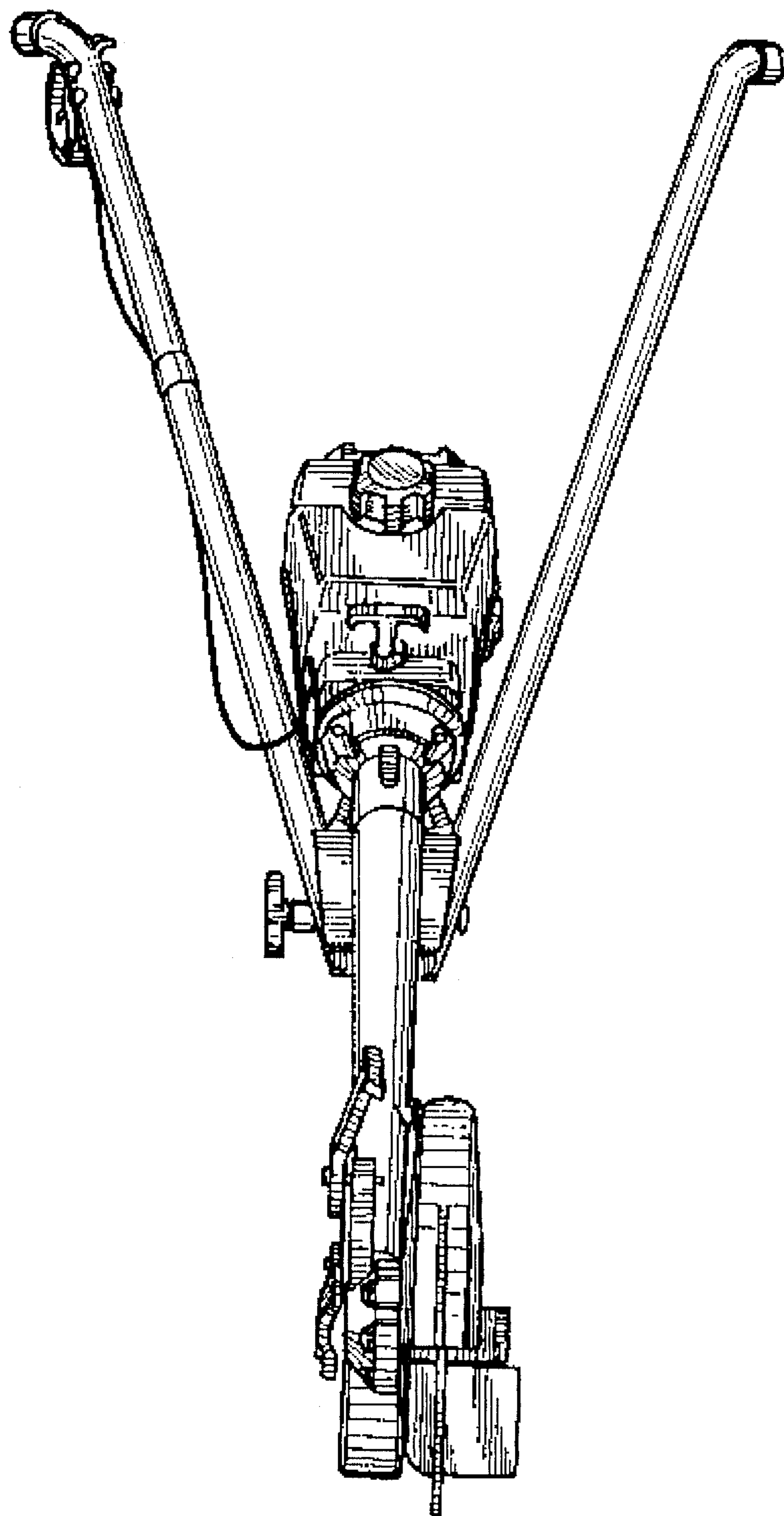


FIG. 7