



US00D372402S

United States Patent [19]
Van Blankenburg

[11] **Patent Number:** **Des. 372,402**
[45] **Date of Patent:** ****Aug. 6, 1996**

[54] **RACING HELMET DRINK CONTAINER**

[76] Inventor: **Karl Van Blankenburg**, 61830 Lantern Cove, Washington, Mich. 48094

[**] Term: **14 Years**

[21] Appl. No.: **44,749**

[22] Filed: **Sep. 26, 1995**

[52] U.S. Cl. **D7/623**

[58] Field of Search D7/603, 604, 606, D7/619-623, 514, 515, 533; D9/307, 320; D29/102-107; 248/311.2; 220/410, 737, 739

- D. 349,216 8/1994 Steinfels, III .
- D. 351,685 10/1994 Kamata .
- D. 353,025 11/1994 Kamata .
- D. 353,026 11/1994 Kamata .
- D. 363,855 11/1995 Van Blankenburg D7/623 X
- 3,825,952 7/1974 Pershing et al. .
- 4,566,292 1/1986 Parmet .
- 4,821,344 4/1989 Kamata .
- 5,048,129 9/1991 Kamata .
- 5,161,261 11/1992 Kamata .

Primary Examiner—Terry A. Wallace
Attorney, Agent, or Firm—Young and Basile, P.C.

[57] **CLAIM**

The ornamental design for a racing helmet drink container, as shown and described.

[56] **References Cited**

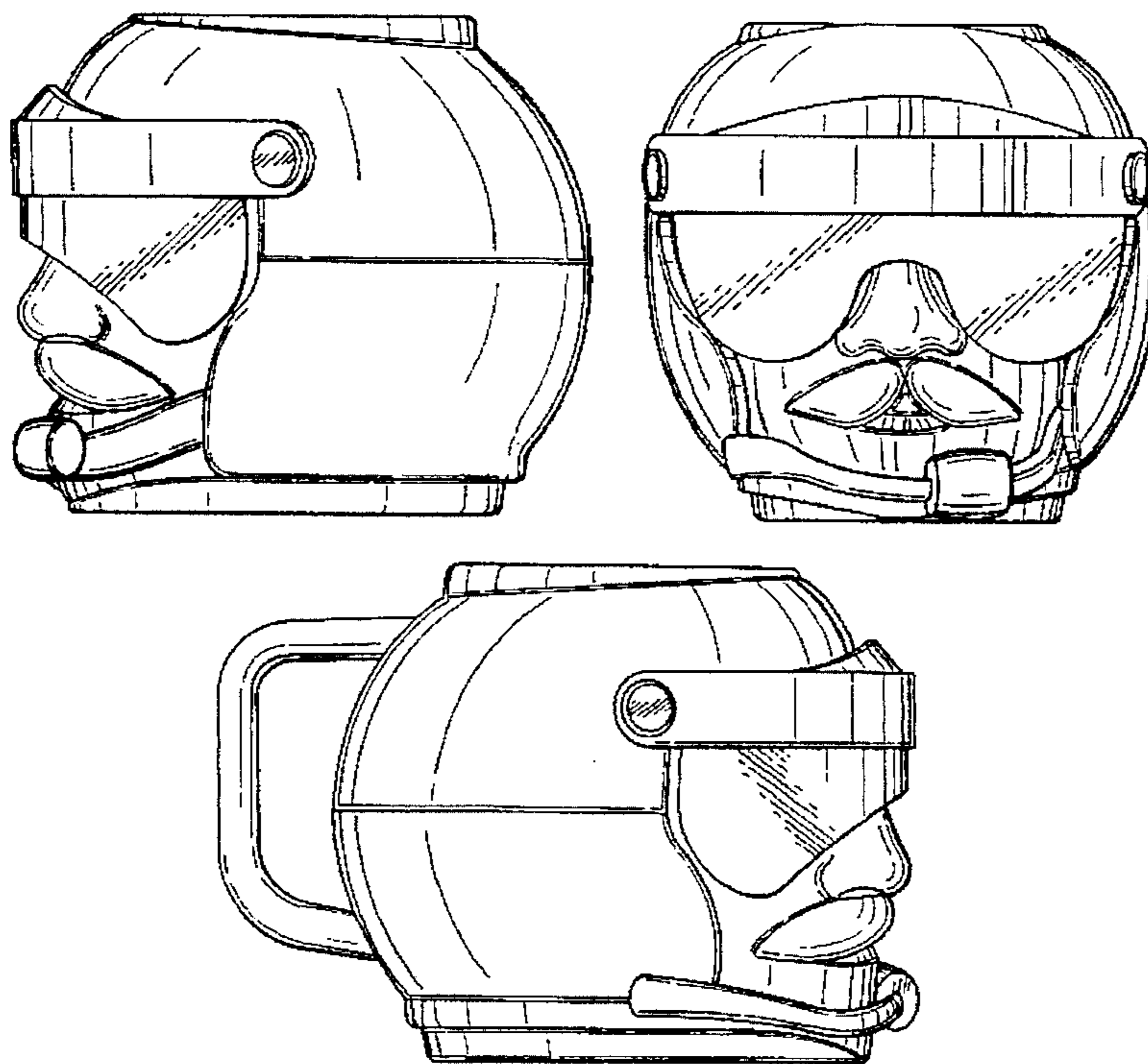
U.S. PATENT DOCUMENTS

- D. 232,011 7/1974 Denton .
- D. 239,587 4/1976 Dickstein .
- D. 249,396 9/1978 Kamata .
- D. 249,438 9/1978 Meier et al. .
- D. 251,226 3/1979 Donat et al. .
- D. 279,430 7/1985 McLeroy .
- D. 289,598 5/1987 Parmet .
- D. 291,524 8/1987 Yanniell et al. .
- D. 314,492 2/1991 Weller et al. .
- D. 327,817 7/1992 Paullin .
- D. 330,857 11/1992 Kidd .
- D. 330,951 11/1992 Kamata .
- D. 331,299 11/1992 Kamata .
- D. 337,242 7/1993 Steinfels, III .
- D. 340,319 10/1993 Kamata .
- D. 340,545 10/1993 Kamata .
- D. 340,546 10/1993 Kamata .
- D. 344,659 3/1994 Hsu .
- D. 347,361 5/1994 Herrera .

DESCRIPTION

FIG. 1 is a left side elevational view of a first embodiment of a drink container showing my new design;
 FIG. 2 is a right side elevational view thereof;
 FIG. 3 is a front elevational view thereof;
 FIG. 4 is a rear elevational view thereof;
 FIG. 5 is a top plan view thereof;
 FIG. 6 is a bottom plan view thereof;
 FIG. 7 is a perspective view thereof with the visor in a raised position;
 FIG. 8 is a left side elevation view of an alternate embodiment of FIG. 1;
 FIG. 9 is a right side elevational view of FIG. 8;
 FIG. 10 is a front elevational view of FIG. 8;
 FIG. 11 is a rear elevational view of FIG. 8;
 FIG. 12 is a top plan view of FIG. 8; and,
 FIG. 13 is a bottom plan view of FIG. 8.

1 Claim, 4 Drawing Sheets



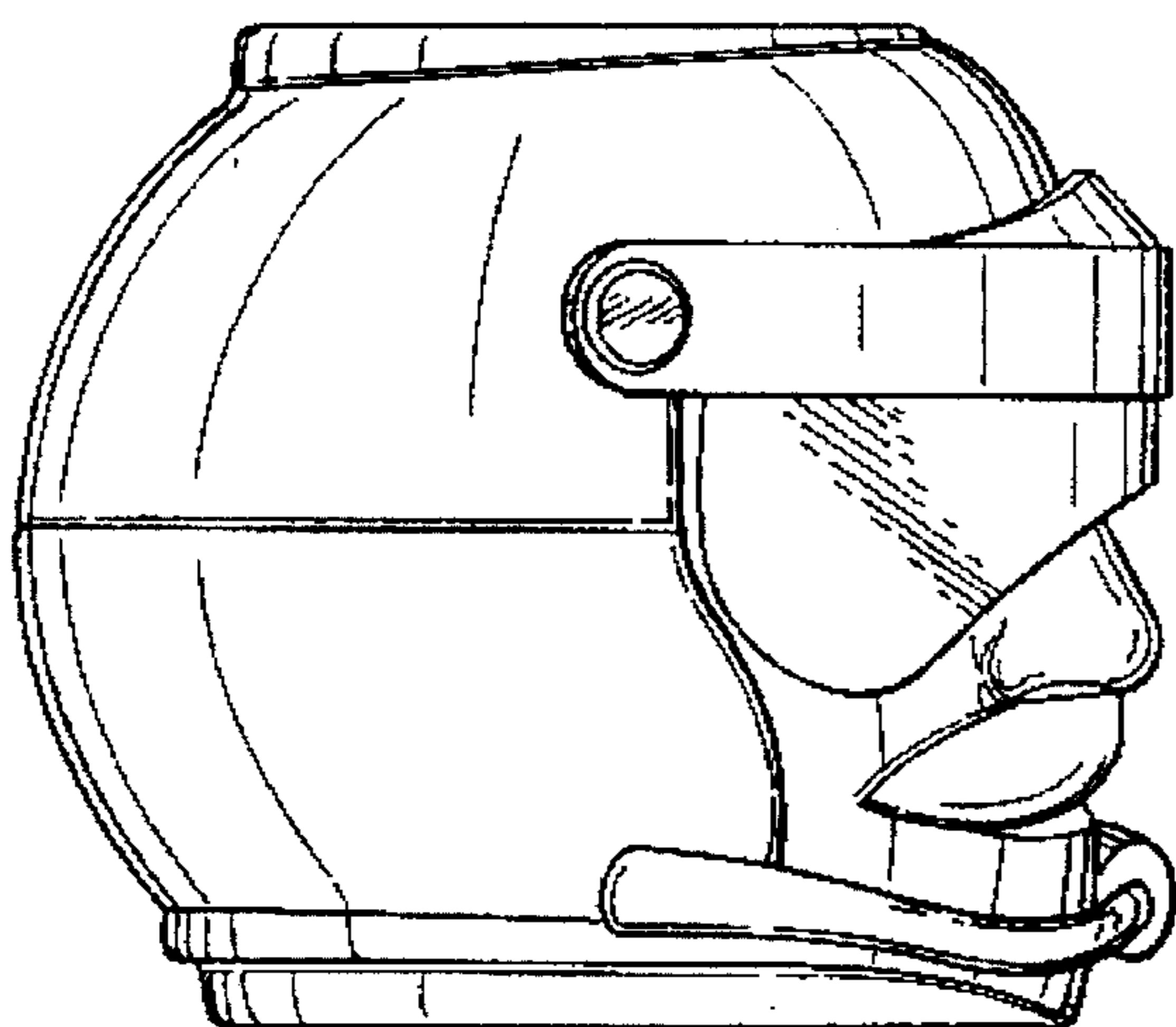


FIG-1

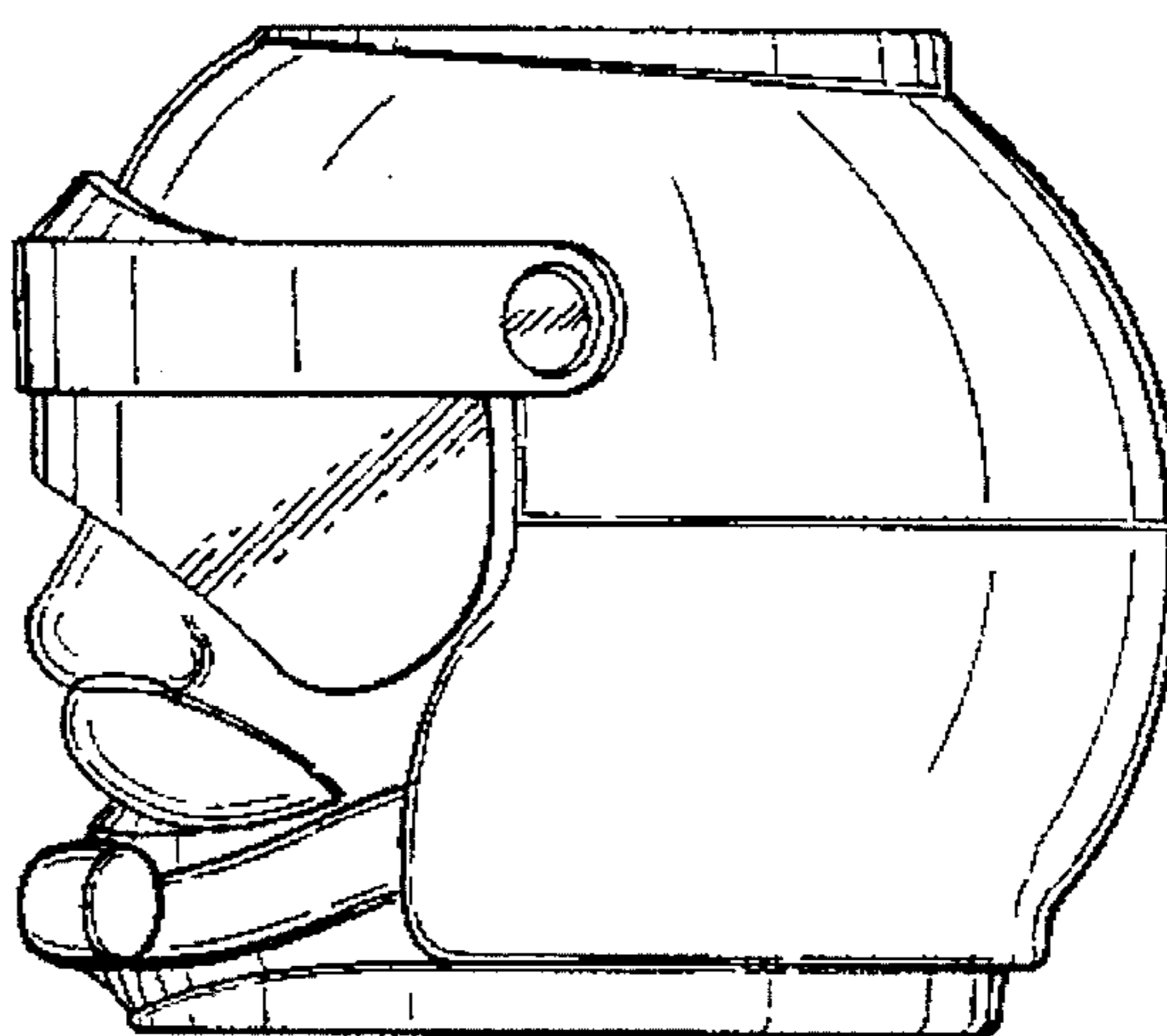


FIG-2

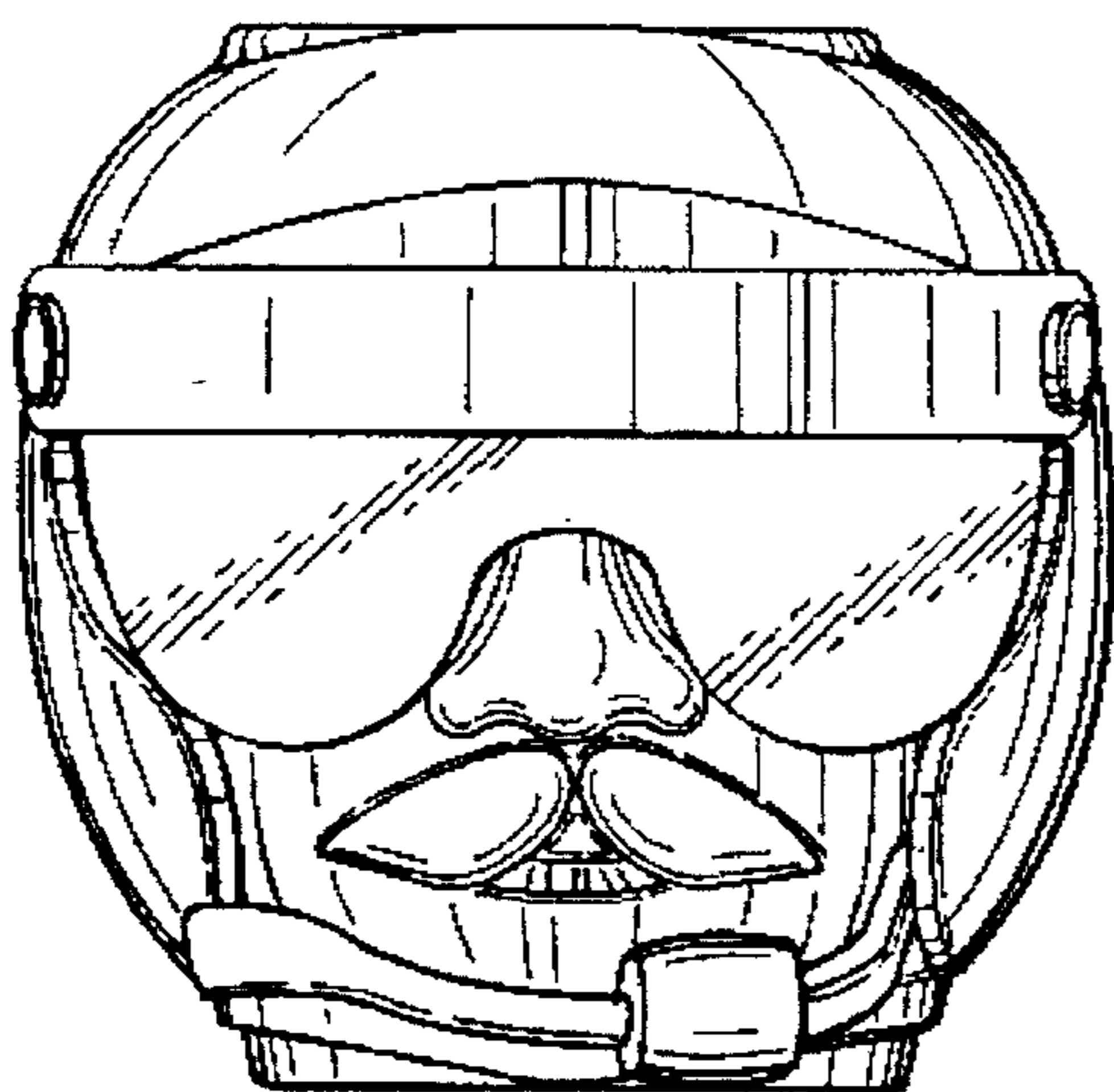


FIG-3

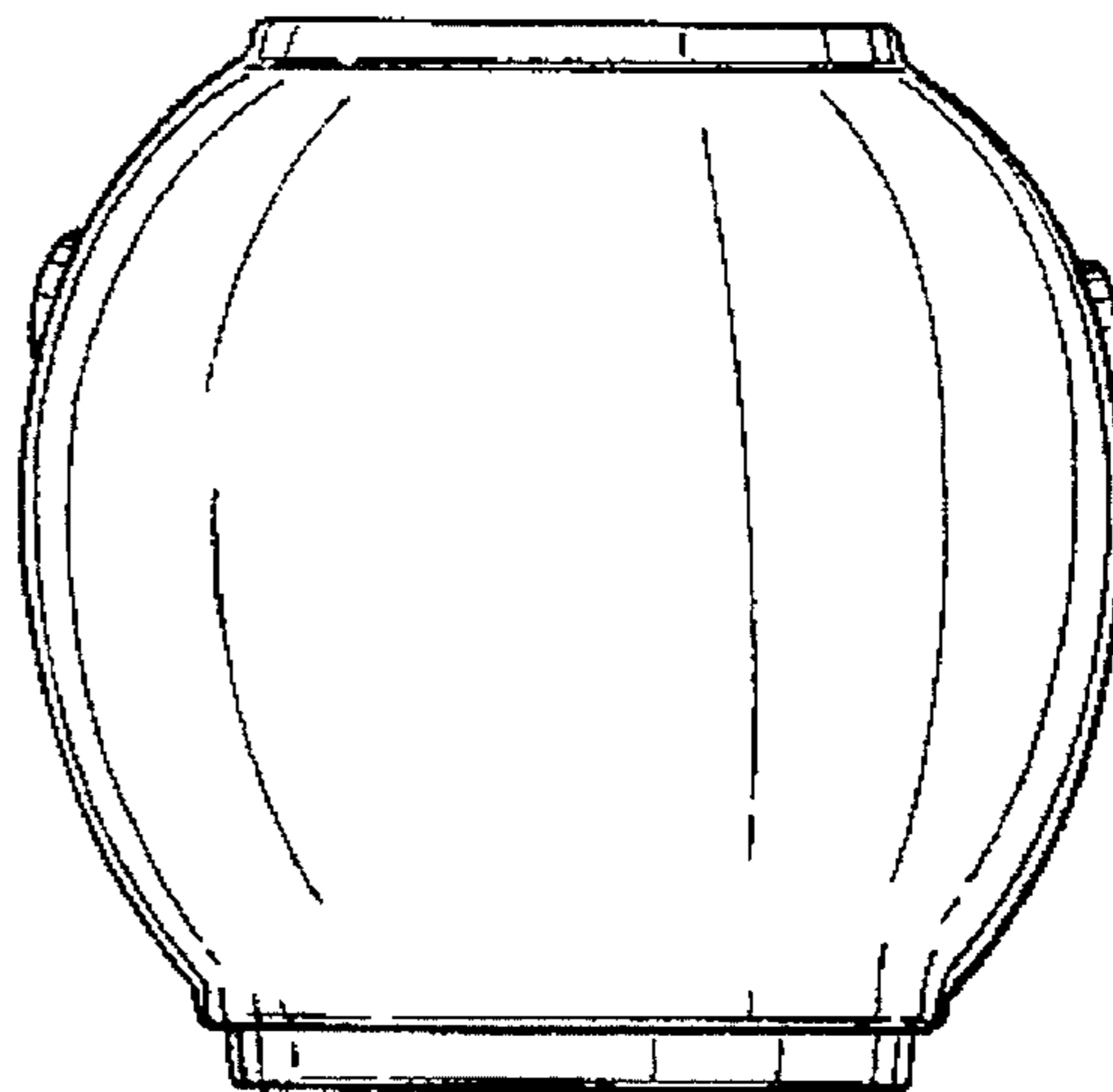


FIG-4

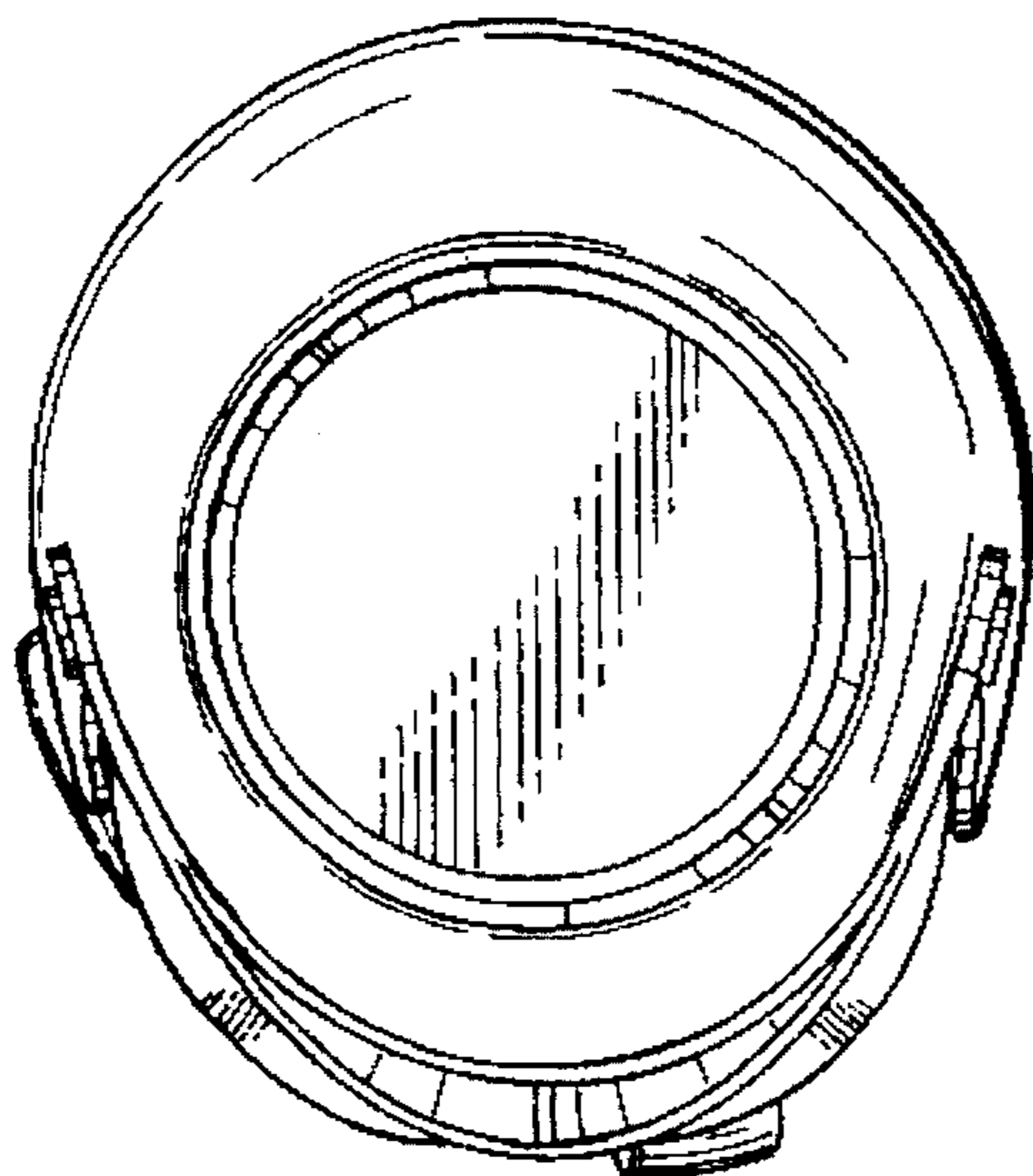


FIG-5

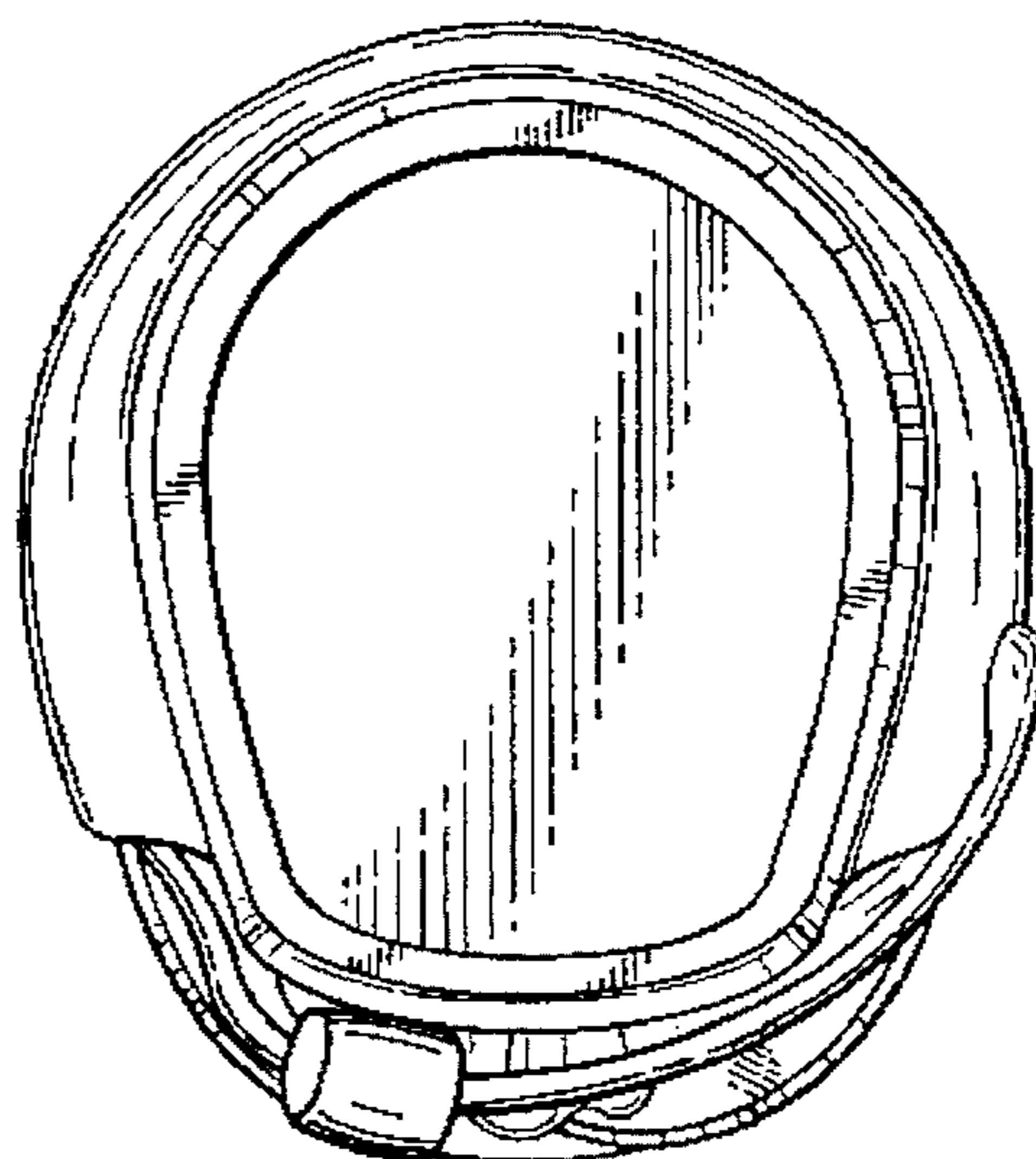


FIG-6

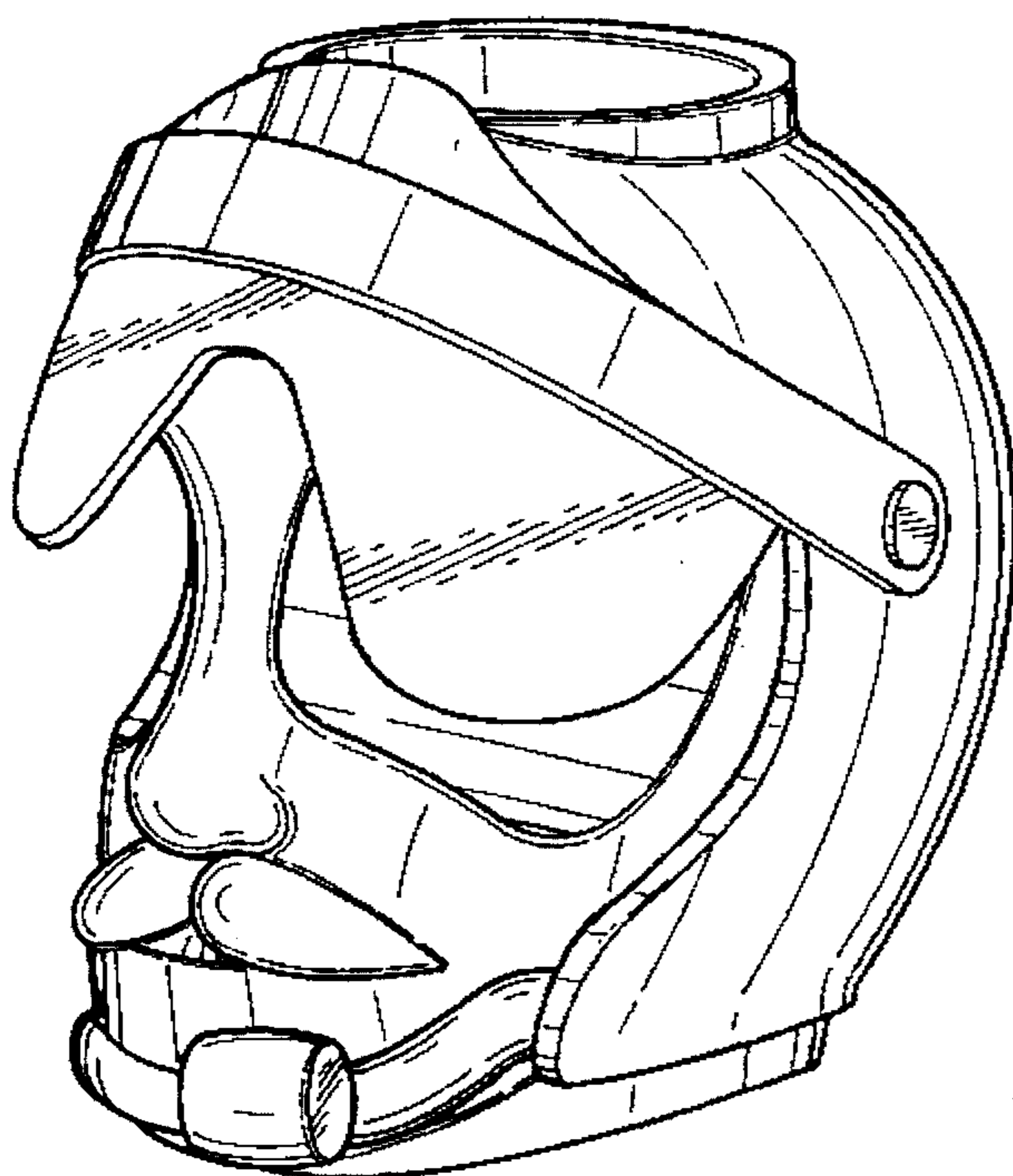


FIG-7

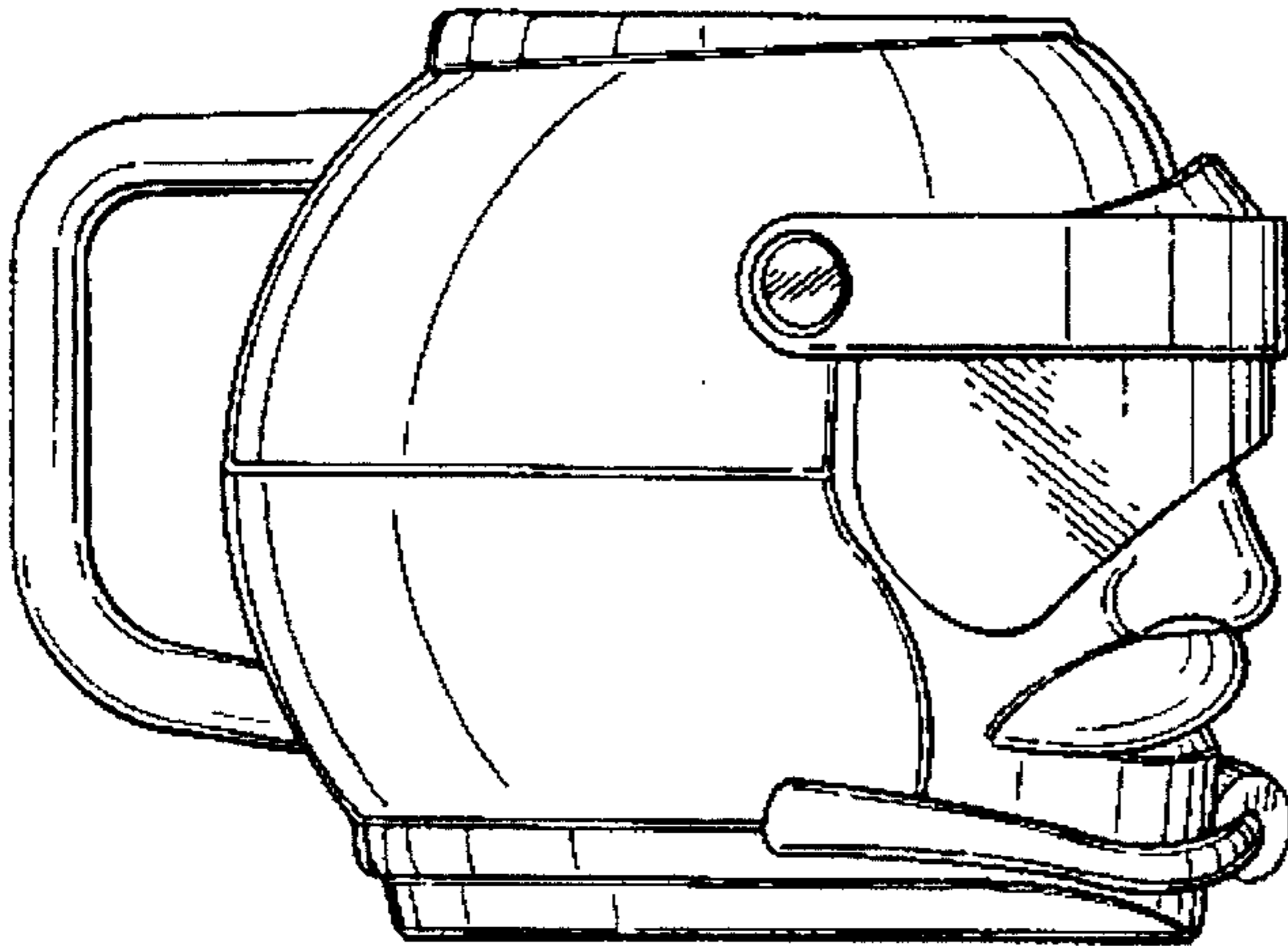


FIG - 8

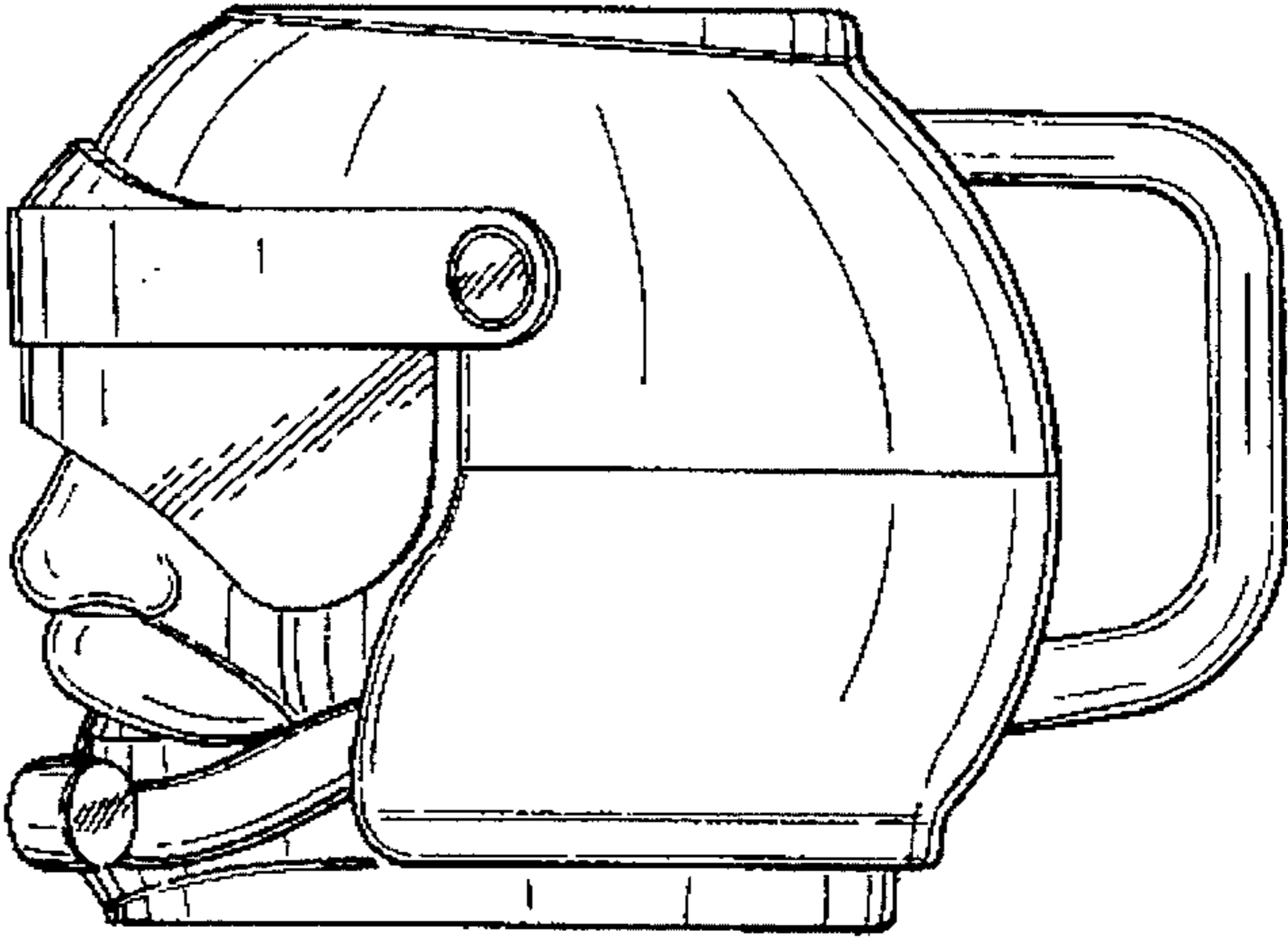


FIG - 9

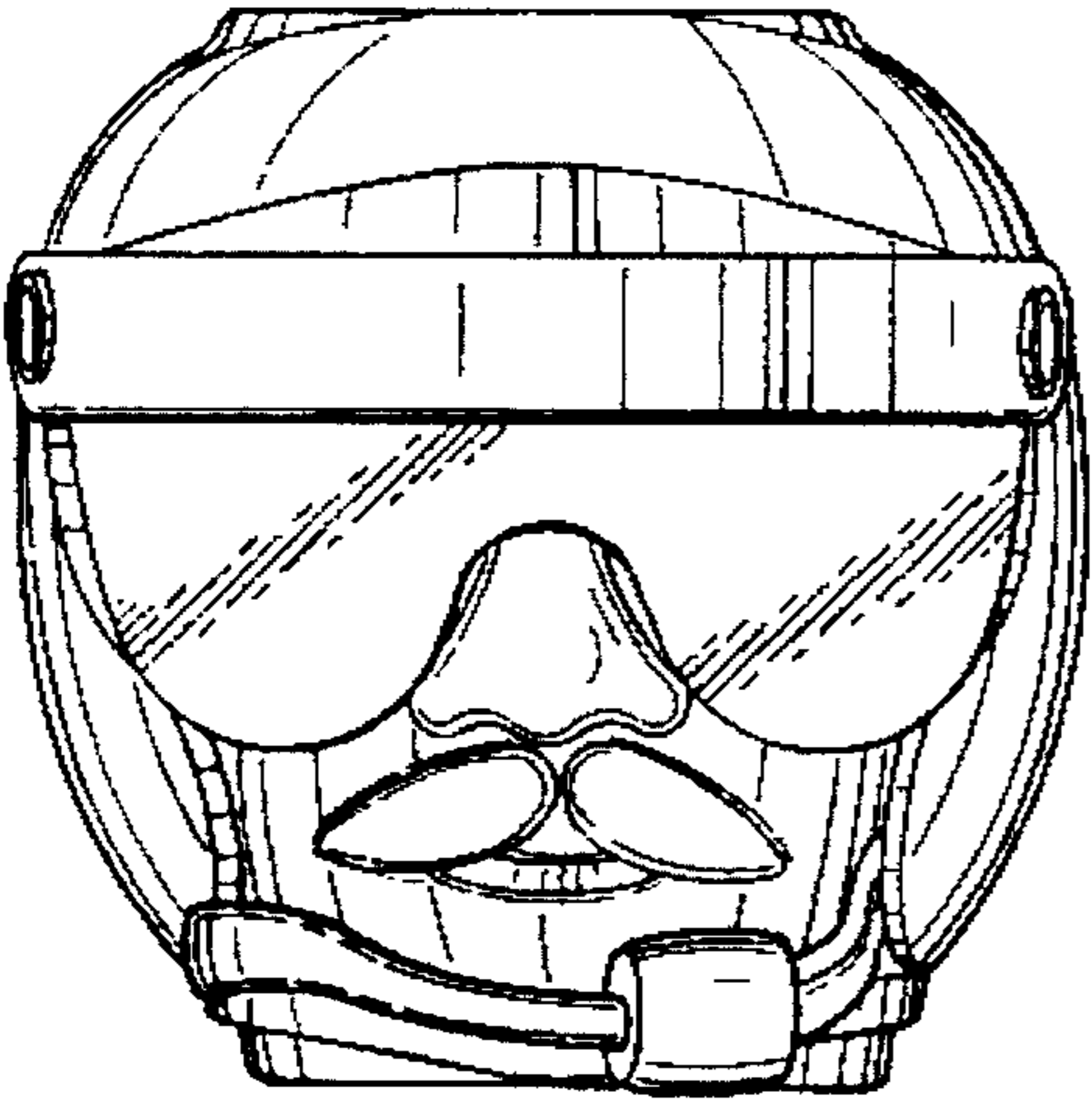


FIG - 10

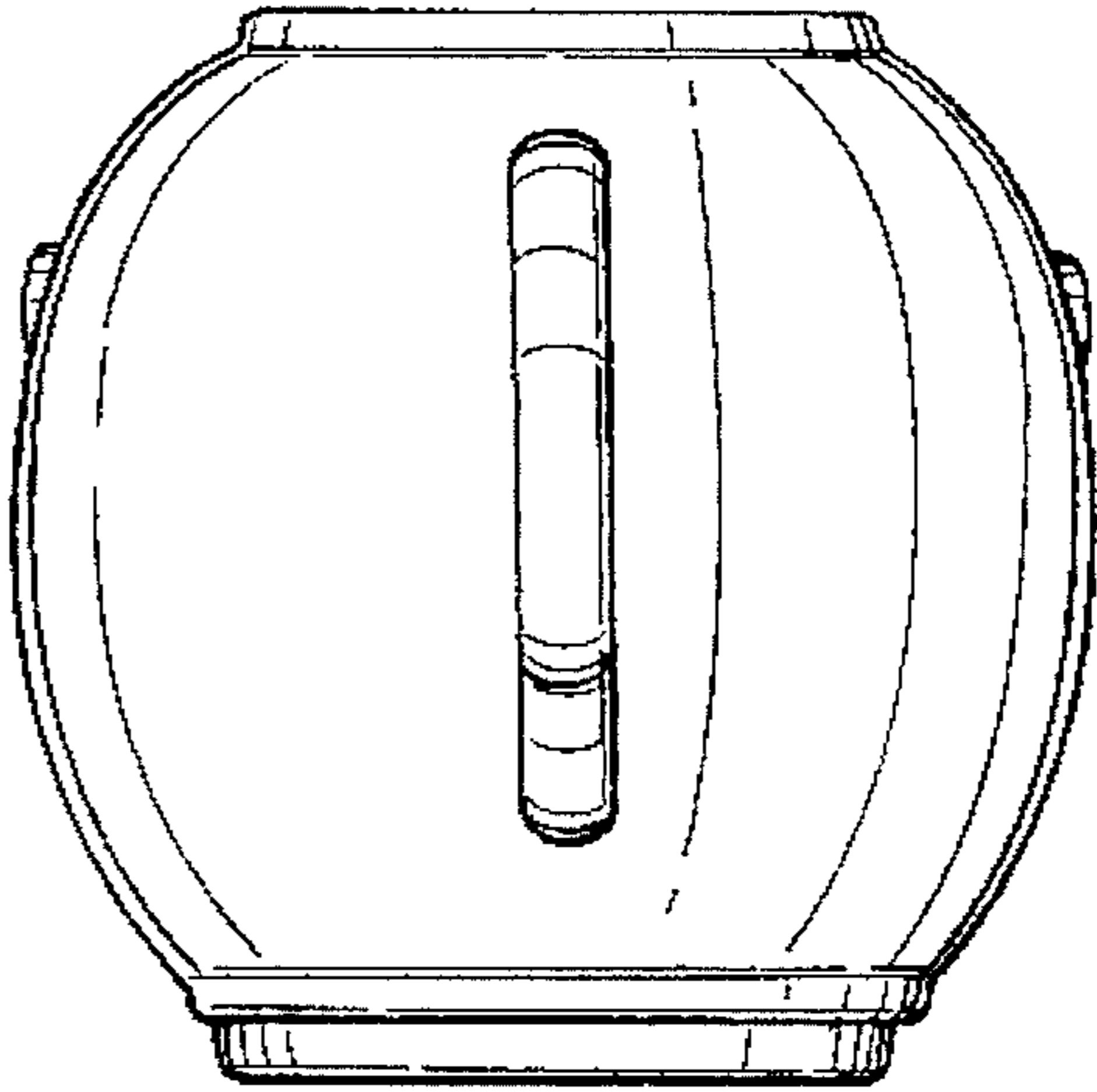


FIG - 11

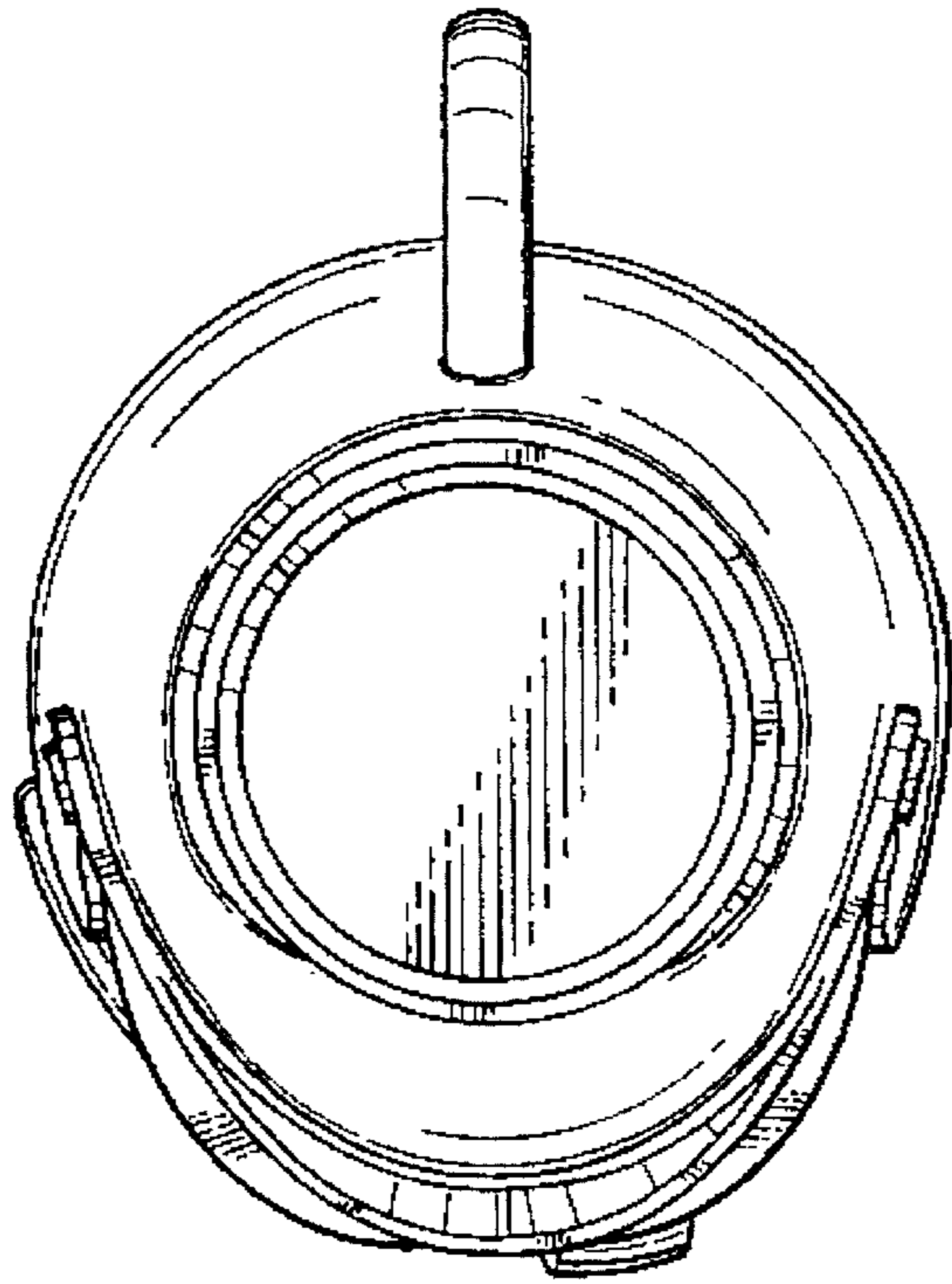


FIG - 12

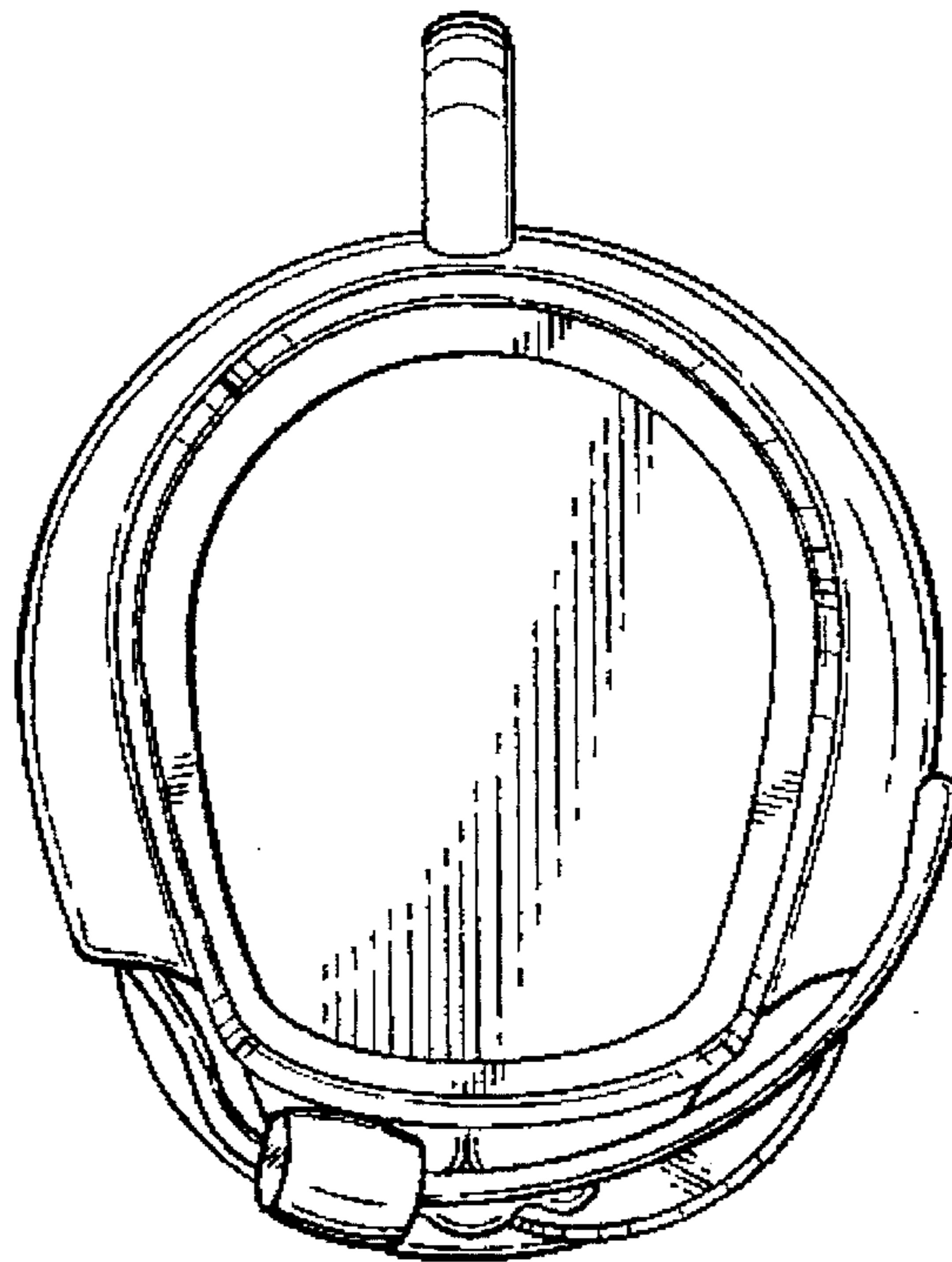


FIG - 13