



US00D372401S

# United States Patent [19]

Lillelund et al.

[11] Patent Number: **Des. 372,401**

[45] Date of Patent: **\*\*Aug. 6, 1996**

[54] **CANISTER**

### FOREIGN PATENT DOCUMENTS

[75] Inventors: **Stig Lillelund**, Gentofte; **Eskil H. Olsen**, Klampenborg; **Jakob Heiberg**, Charlottenlund, all of Denmark; **Robert H. C. M. Daenen**, Essene, Belgium

57270 11/1945 France .  
2937015 4/1981 Germany .

*Primary Examiner*—Terry A. Wallace  
*Attorney, Agent, or Firm*—John A. Doninger

[73] Assignee: **Dart Industries Inc.**, Deerfield, Ill.

[57] **CLAIM**

[\*\*] Term: **14 Years**

The ornamental design for a canister, as shown and described.

[21] Appl. No.: **38,673**

### DESCRIPTION

[22] Filed: **May 18, 1995**

[52] U.S. Cl. .... **D7/612**

[58] **Field of Search** ..... D7/612-615, 391-392.1, D7/538-549; D9/414, 418, 424, 425, 428, 429, 432, 434; 220/306, 307, 352, 353, 355, 356, 266, 657, 659, 675

FIG. 1 is a top, front and end perspective view of a canister showing our new design;

FIG. 2 is a top plan view thereof;

FIG. 3 is a bottom plan view thereof;

FIG. 4 is a right end elevation view thereof;

FIG. 5 is a left end elevation view thereof;

FIG. 6 is a front elevation view thereof;

FIG. 7 is a rear elevation view thereof;

FIG. 8 is a longitudinal cross-section thereof on line 8—8 in FIG. 2;

FIG. 9 is a transverse cross-section thereof on line 9—9 in FIG. 2;

FIG. 10 is a top, front and end perspective view of a first variation thereof, differing only in the height of the canister; and,

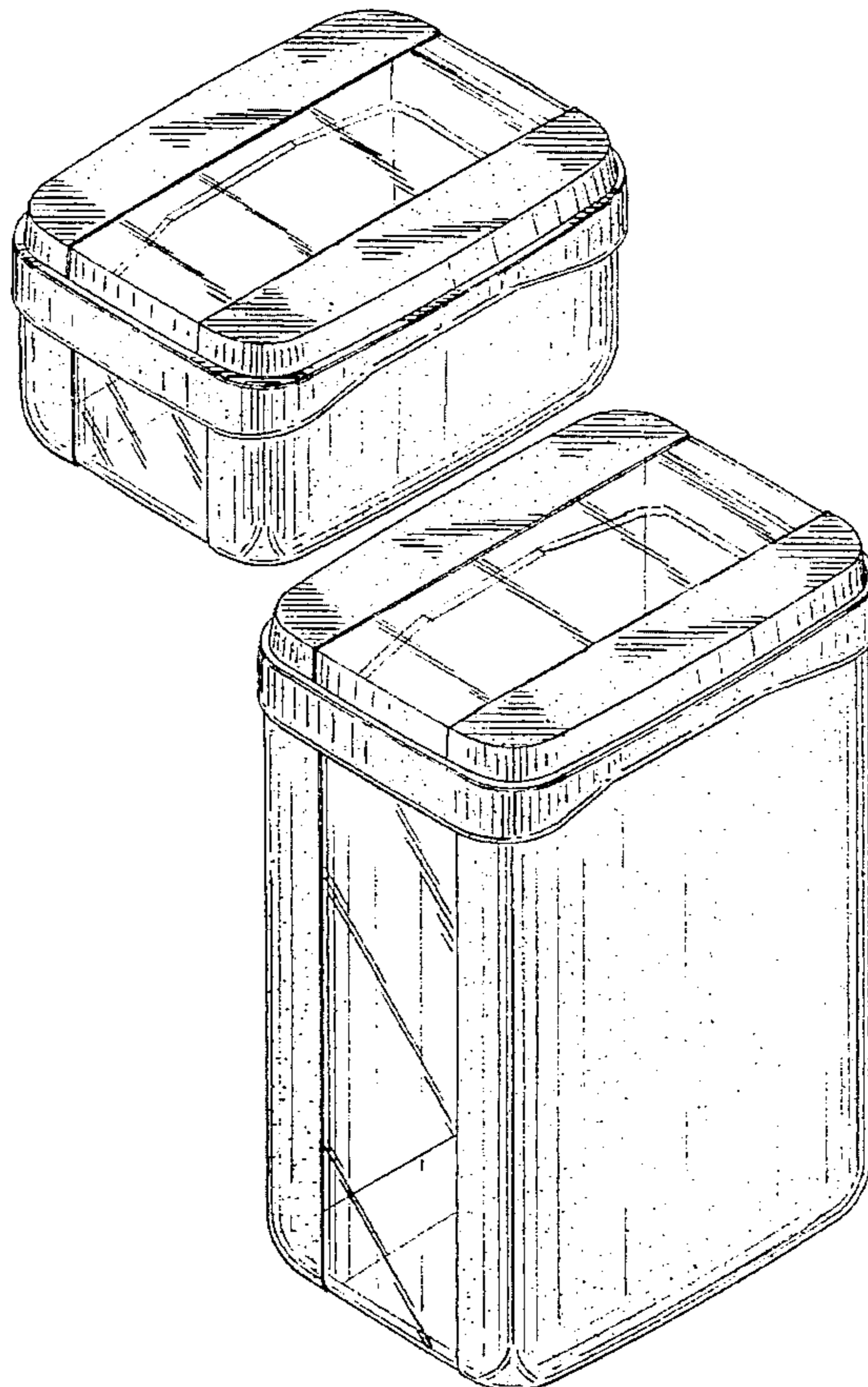
FIG. 11 is a top, front and end perspective view of a second variation thereof, differing only in the height of the canister.

### [56] References Cited

#### U.S. PATENT DOCUMENTS

D. 276,400	11/1984	Daenen et al. .	
D. 279,952	8/1985	Daenen et al. .	
D. 319,978	9/1991	Wolff .....	D9/424 X
2,327,406	8/1943	Dukehart, Jr. .	
2,333,117	11/1943	Nyden .	
4,377,236	3/1983	Montgomery .	
4,807,778	2/1989	Lo .	
5,065,889	11/1991	Conti .	
5,161,711	11/1992	Picozza et al. .	
5,181,626	1/1993	Daenen et al. .	

**1 Claim, 6 Drawing Sheets**



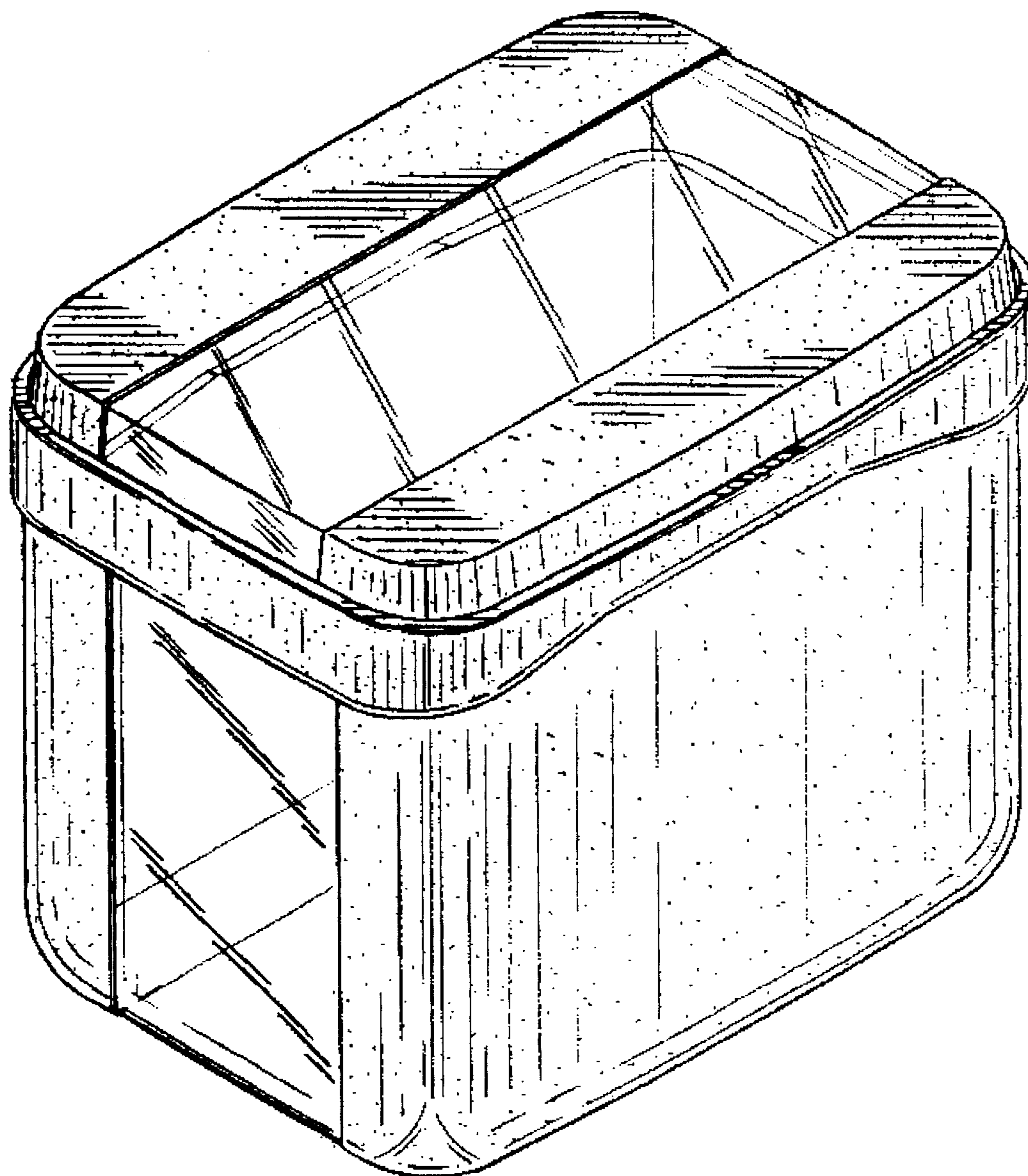


FIG. 1

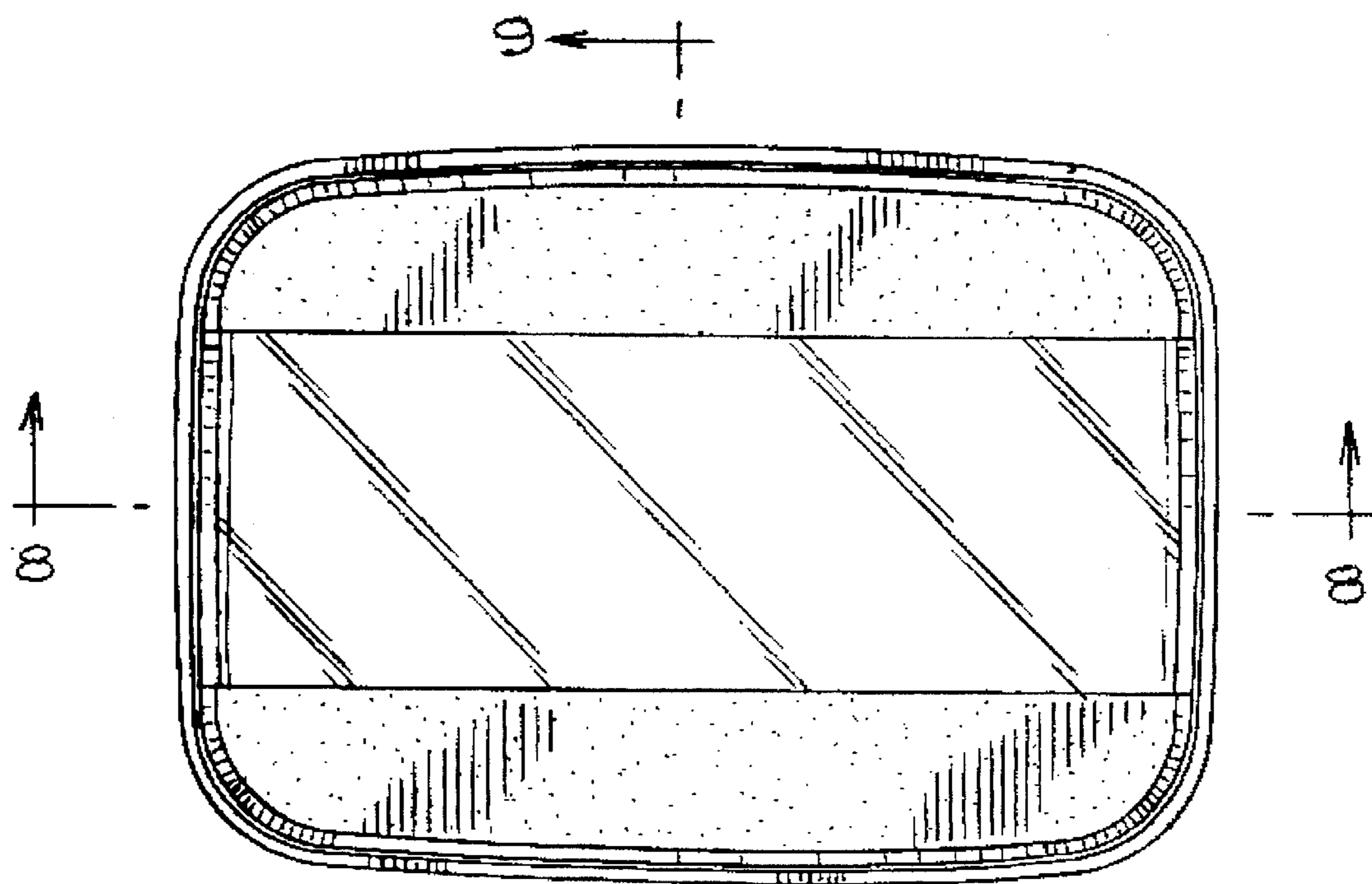


FIG. 2

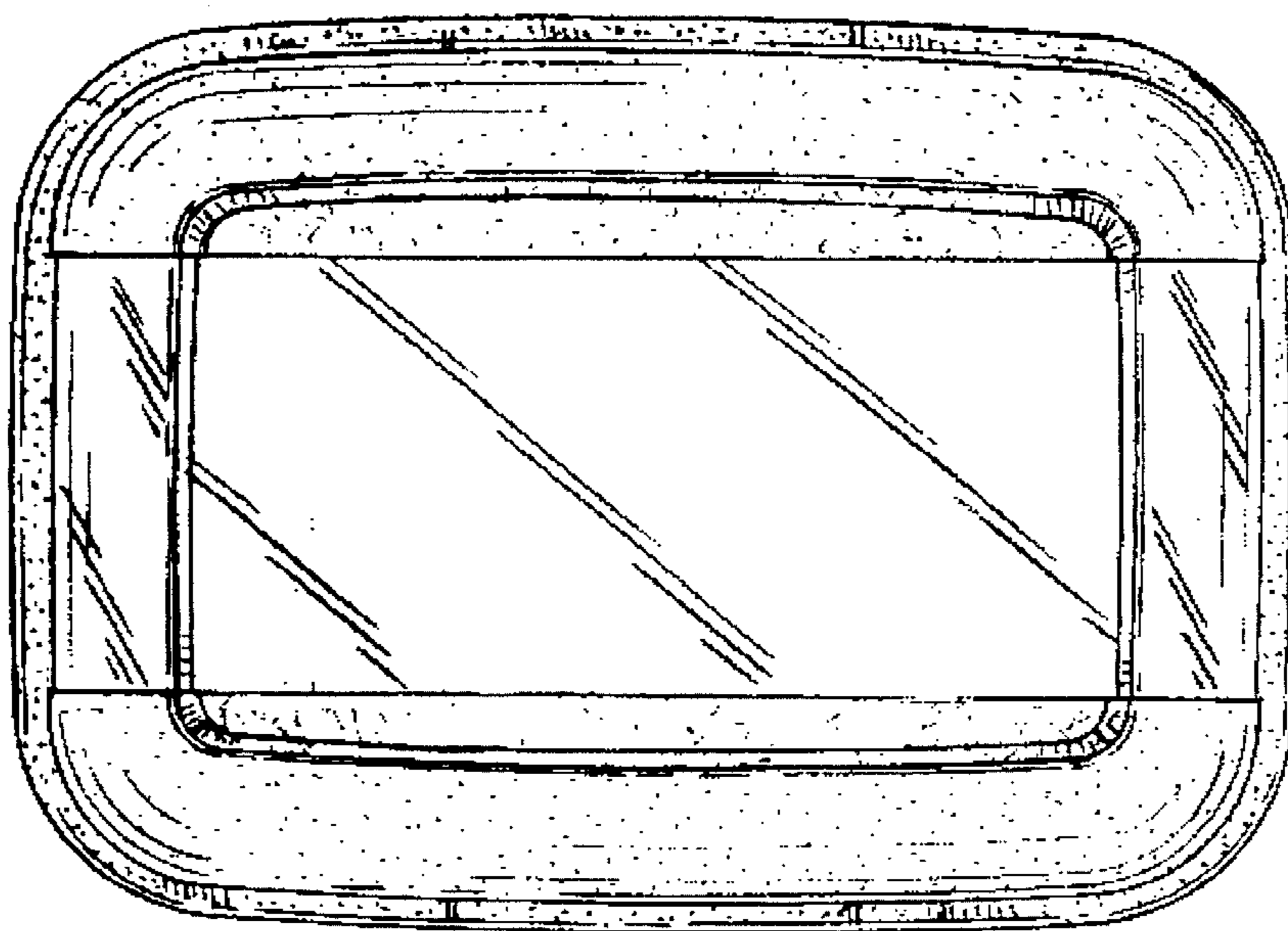


FIG. 3

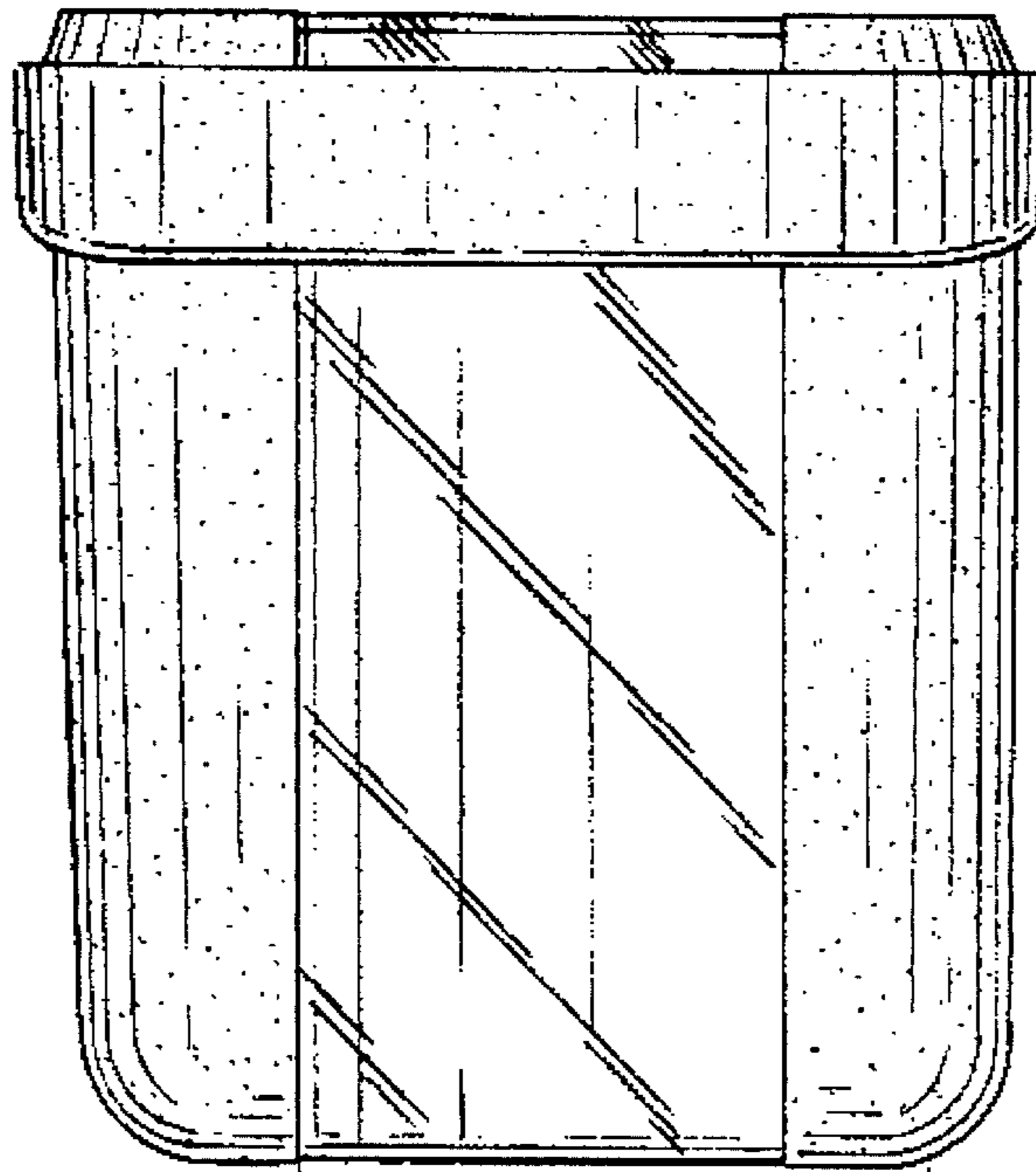


FIG. 4

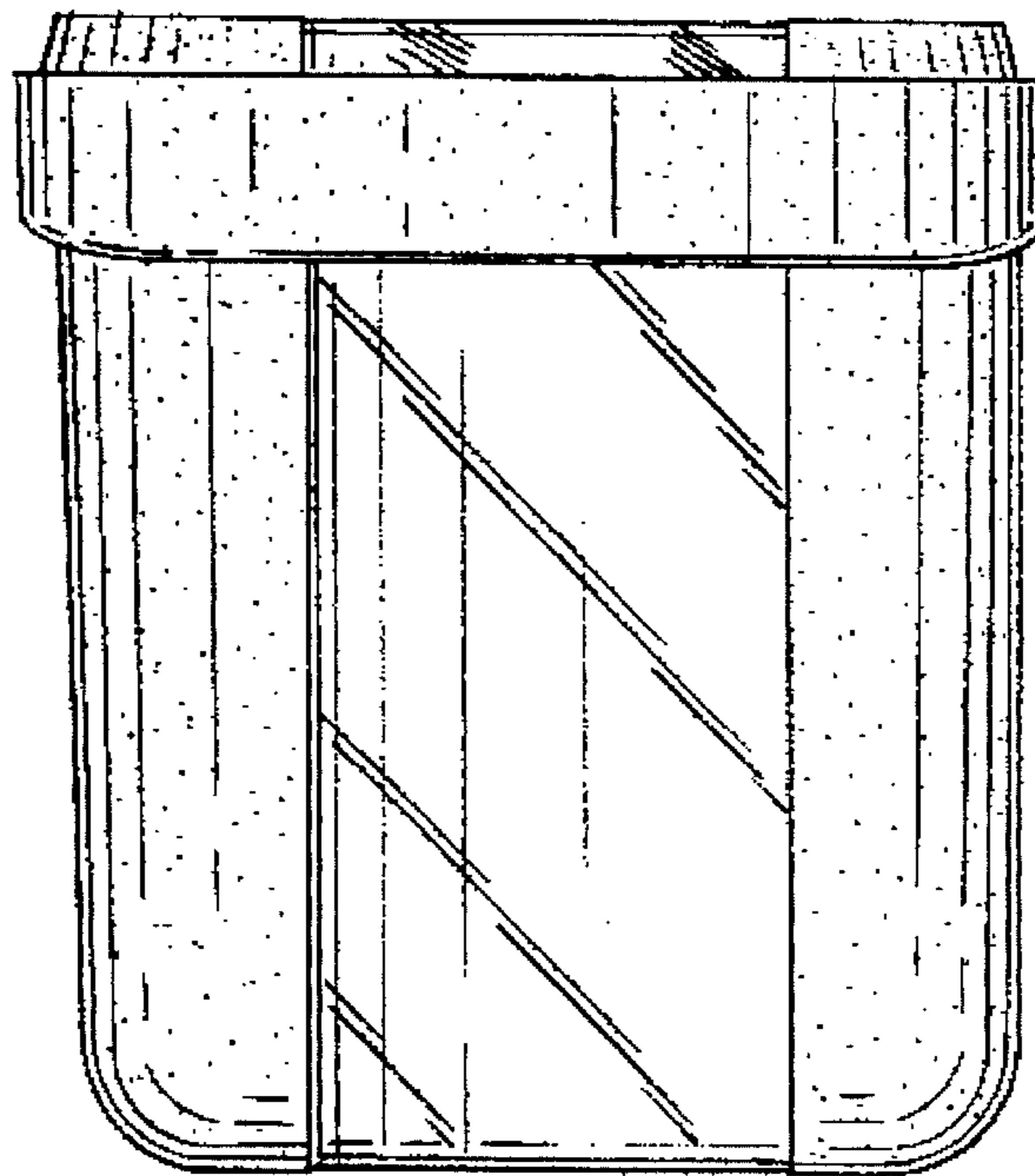


FIG. 5

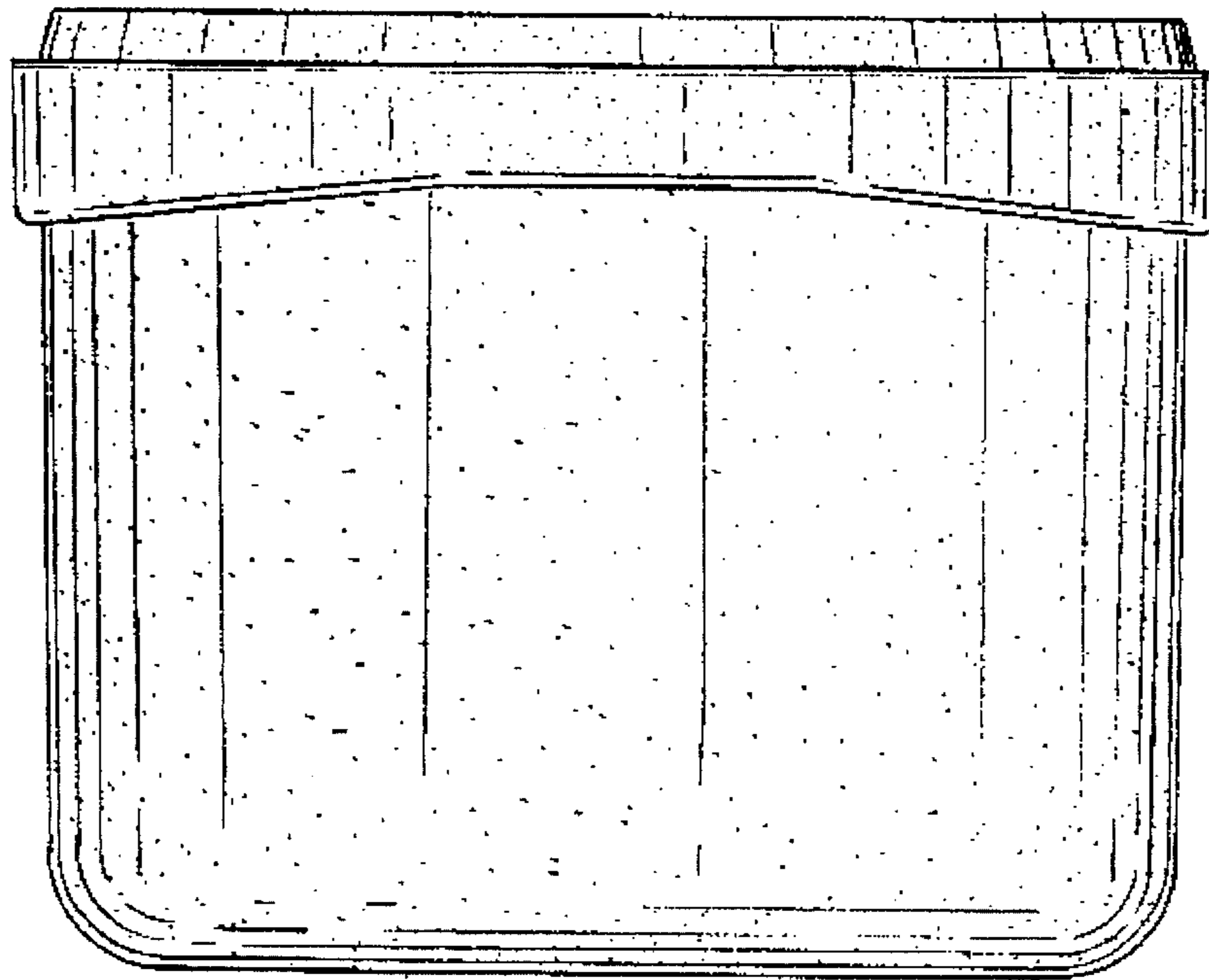


FIG. 6

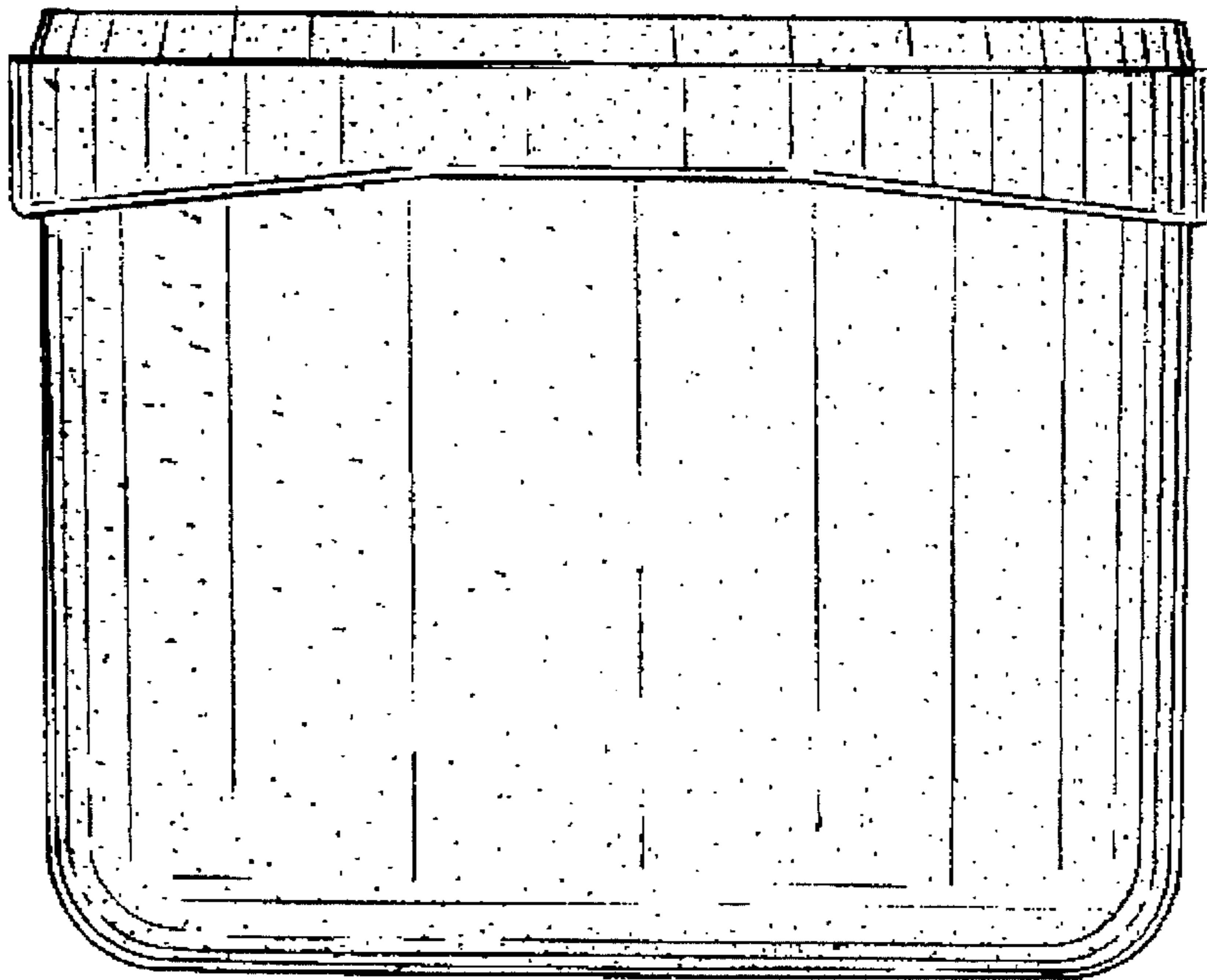


FIG. 7

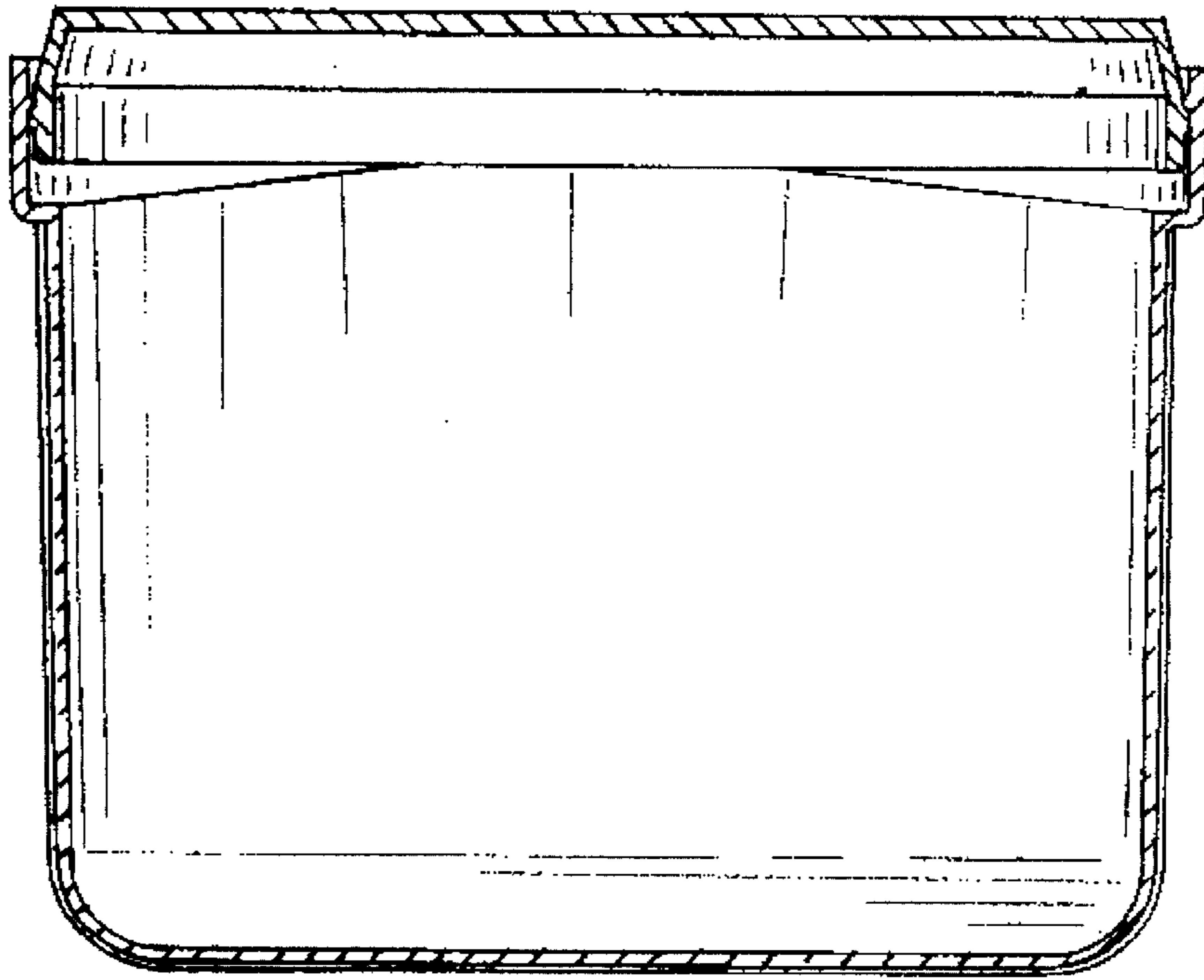


FIG. 8

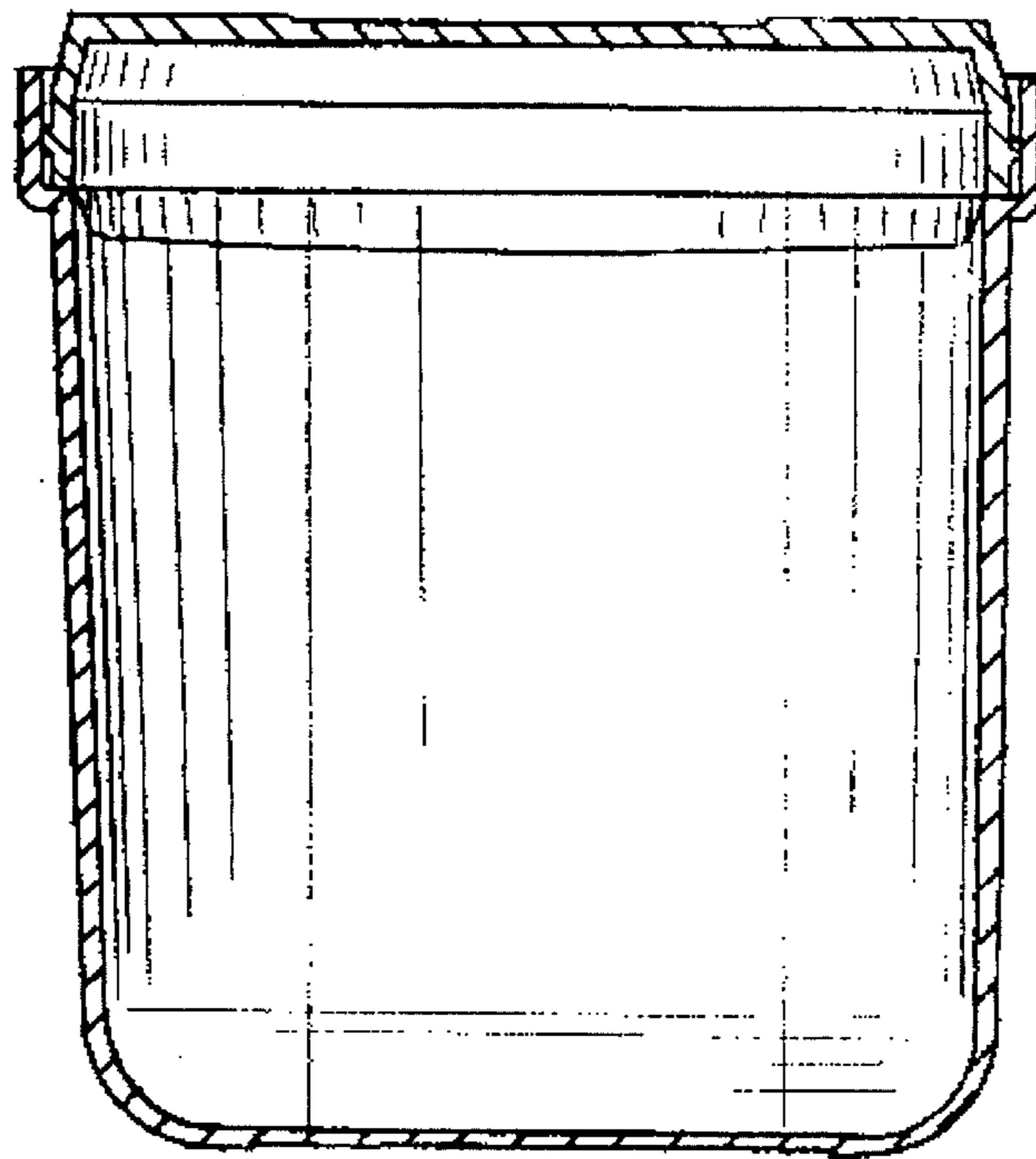


FIG. 9

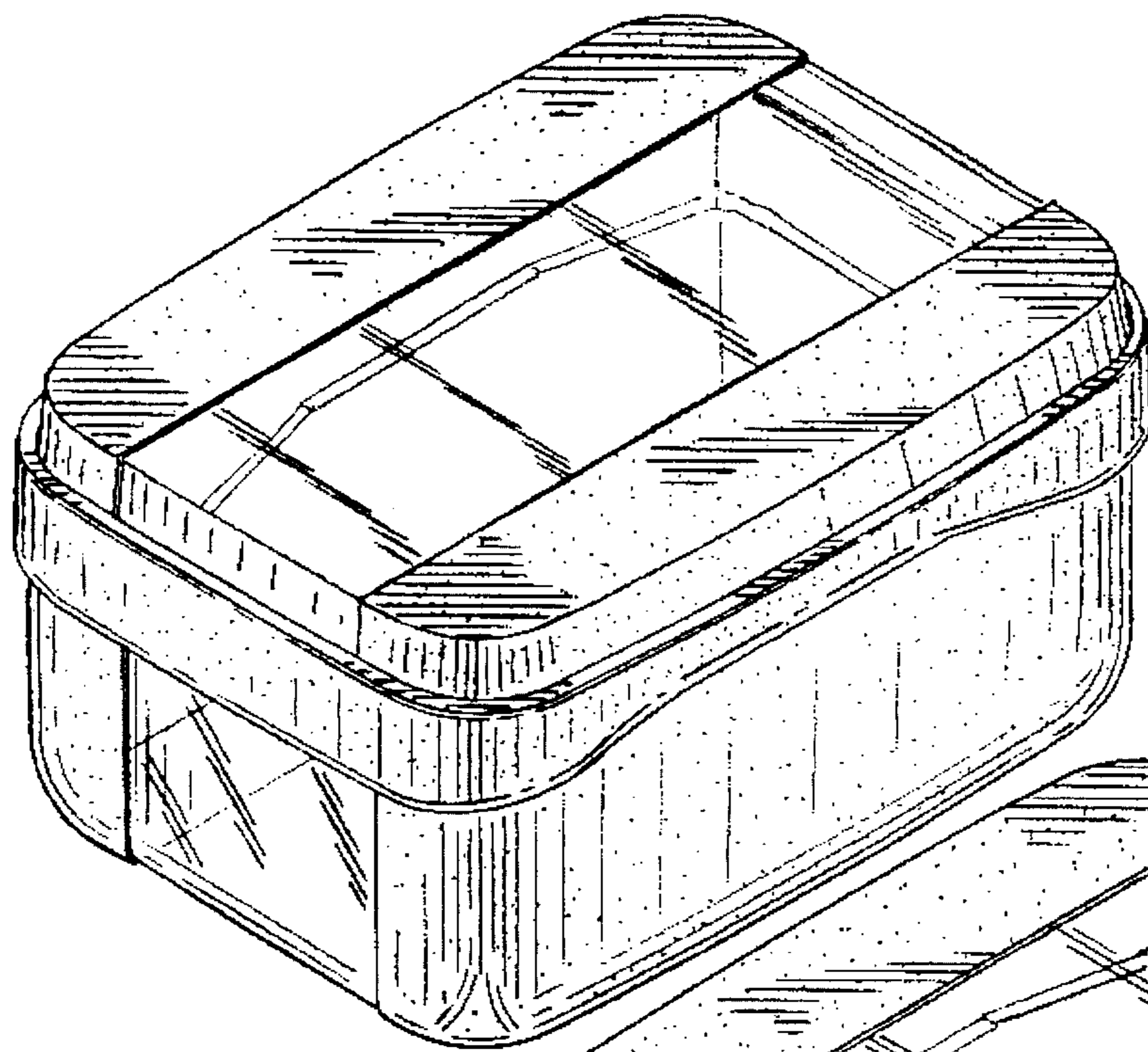


FIG. 10

FIG. 11

