



US00D372399S

United States Patent [19]

Wang

[11] Patent Number: **Des. 372,399**

[45] Date of Patent: ****Aug. 6, 1996**

[54] **BREAD CONTAINER**

[76] Inventor: **Simon Wang**, No. 102, Yung-an St.,
Tainan, Taiwan

[**] Term: **14 Years**

[21] Appl. No.: **45,735**

[22] Filed: **Oct. 27, 1995**

[52] U.S. Cl. **D7/609**

[58] Field of Search D7/609; 99/467,
99/483; 220/331, 334; 312/284, 328

[56] **References Cited**

U.S. PATENT DOCUMENTS

D. 166,225 3/1952 Popeil D7/609
D. 169,121 3/1953 Burroughs D7/609

FOREIGN PATENT DOCUMENTS

2179028 2/1987 United Kingdom D7/609

Primary Examiner—Terry A. Wallace
Attorney, Agent, or Firm—Morton J. Rosenberg; David I. Klein

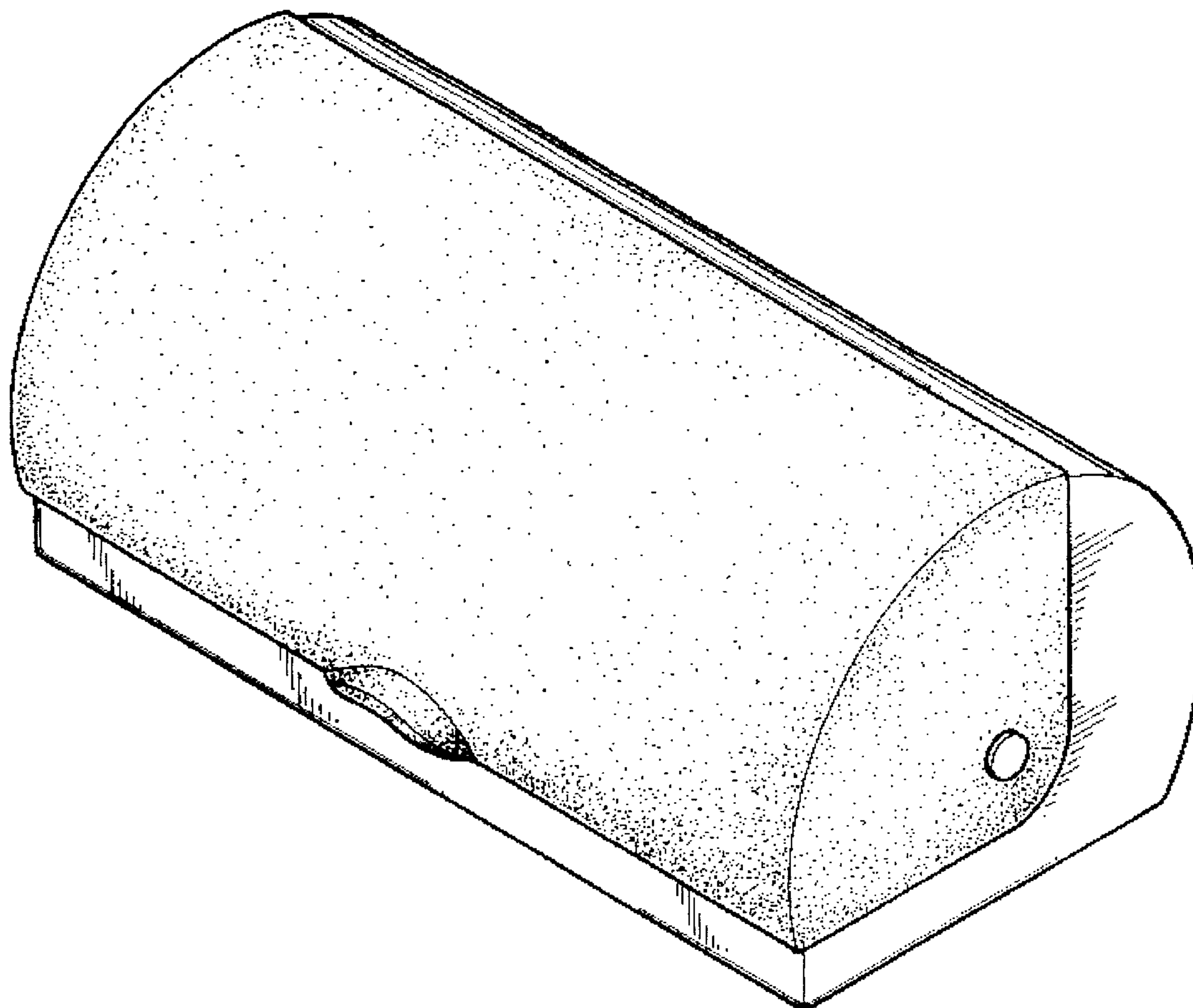
[57] **CLAIM**

The ornamental design for a bread container, as shown and described.

DESCRIPTION

FIG. 1 is a perspective view from the front, top and right side of a bread container showing my design;
FIG. 2 is a front view thereof;
FIG. 3 is a rear view thereof;
FIG. 4 is a left side elevational view thereof;
FIG. 5 is a right side elevational view thereof;
FIG. 6 is a top plan view thereof;
FIG. 7 is a bottom plan view thereof; and,
FIG. 8 is a perspective view thereof with a cover in an opened condition.

1 Claim, 4 Drawing Sheets



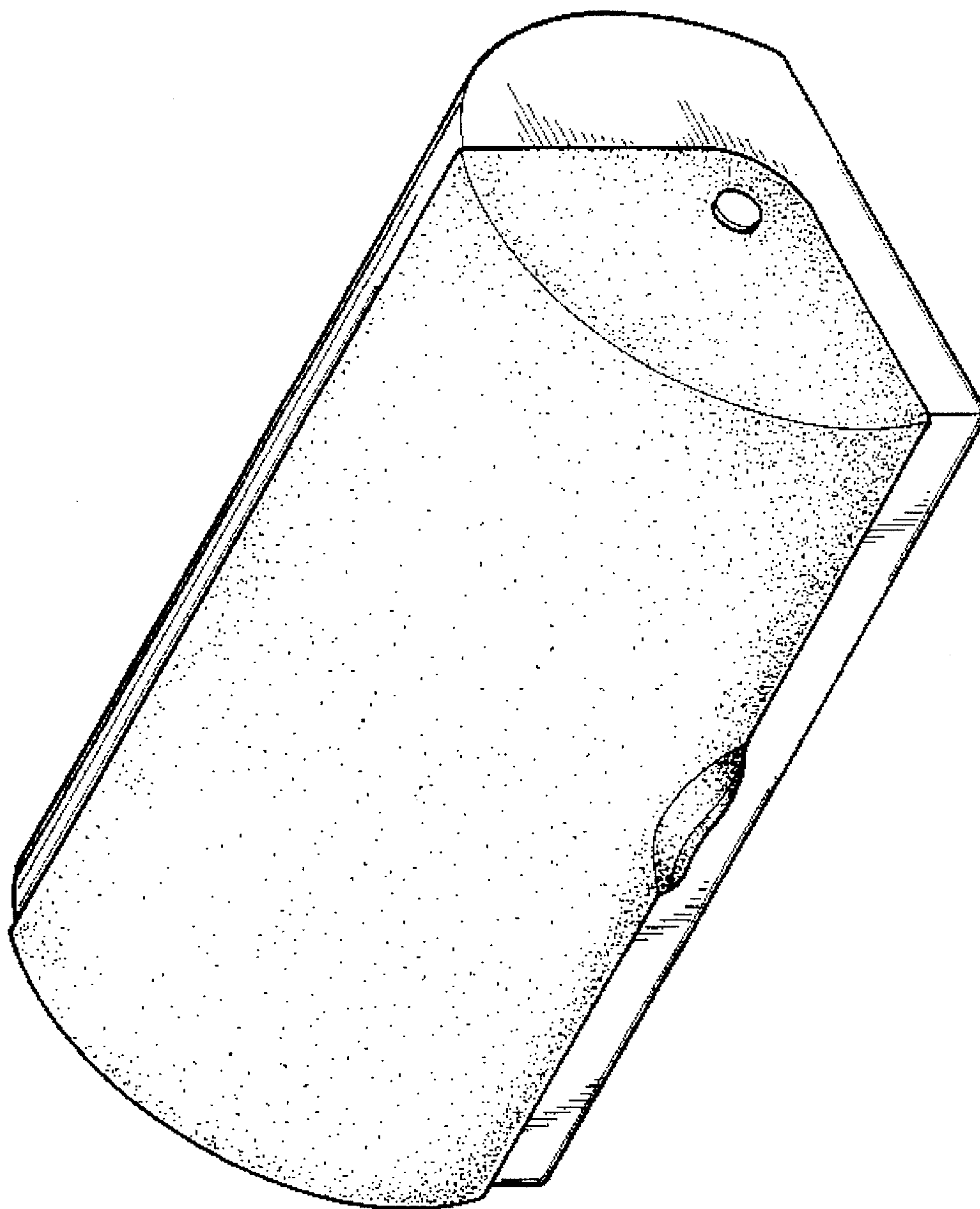


FIG. 1

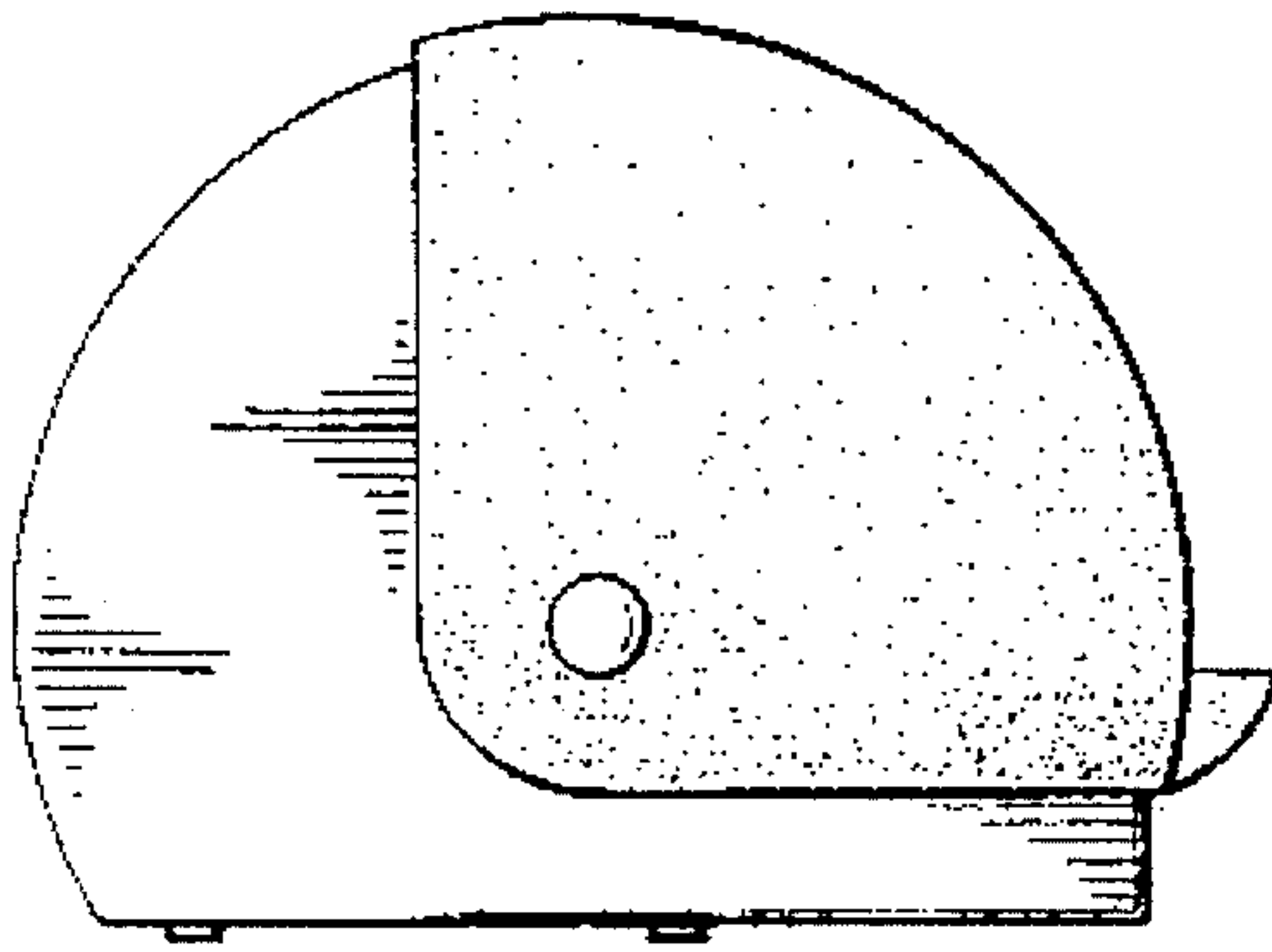


FIG. 4

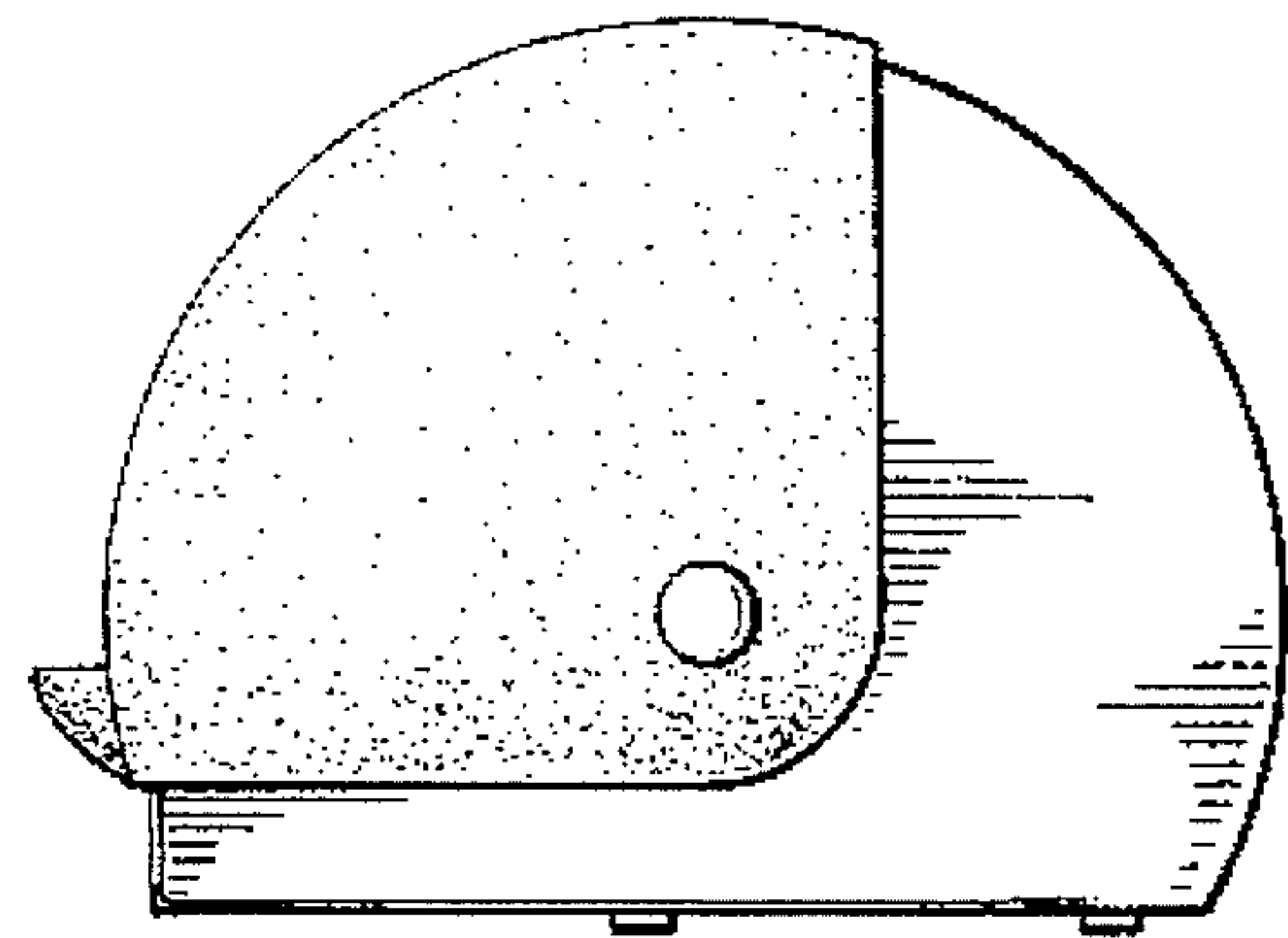


FIG. 5

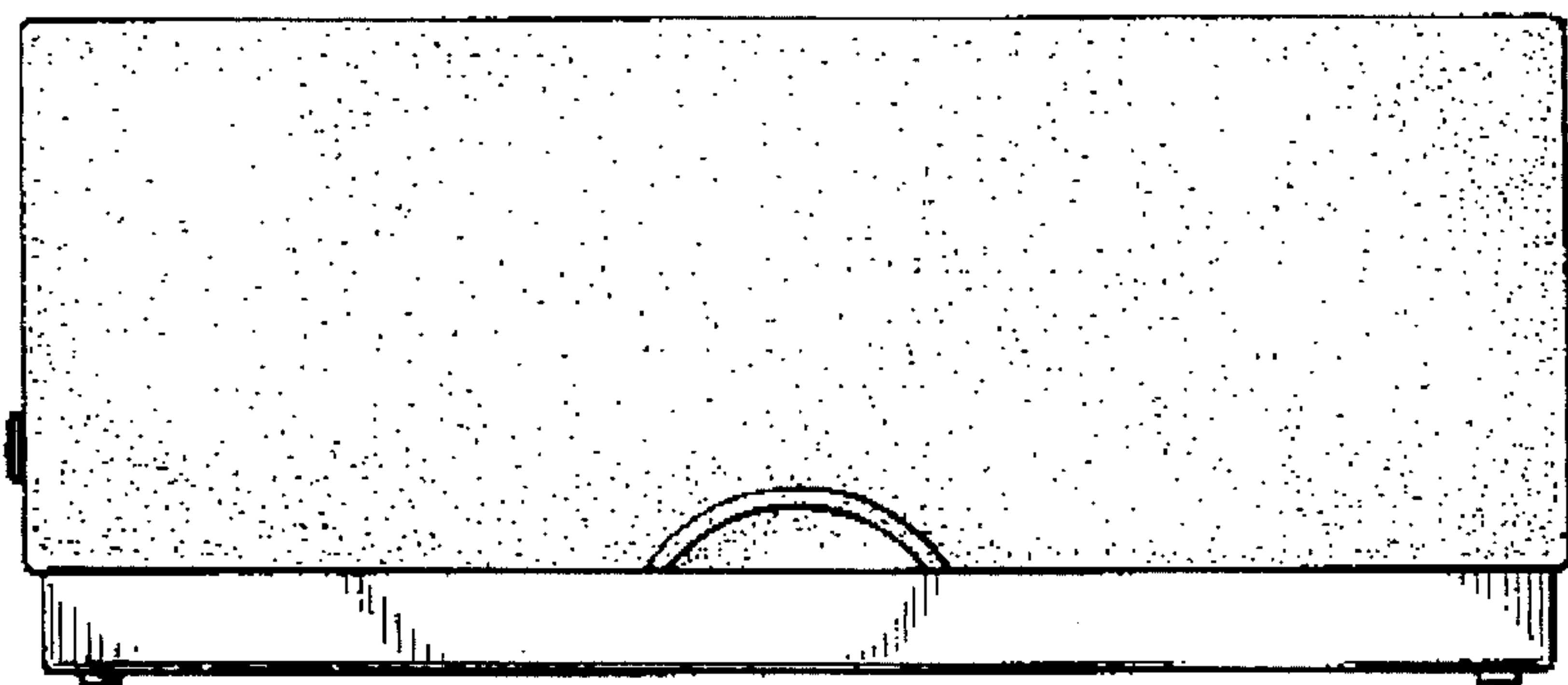


FIG. 2

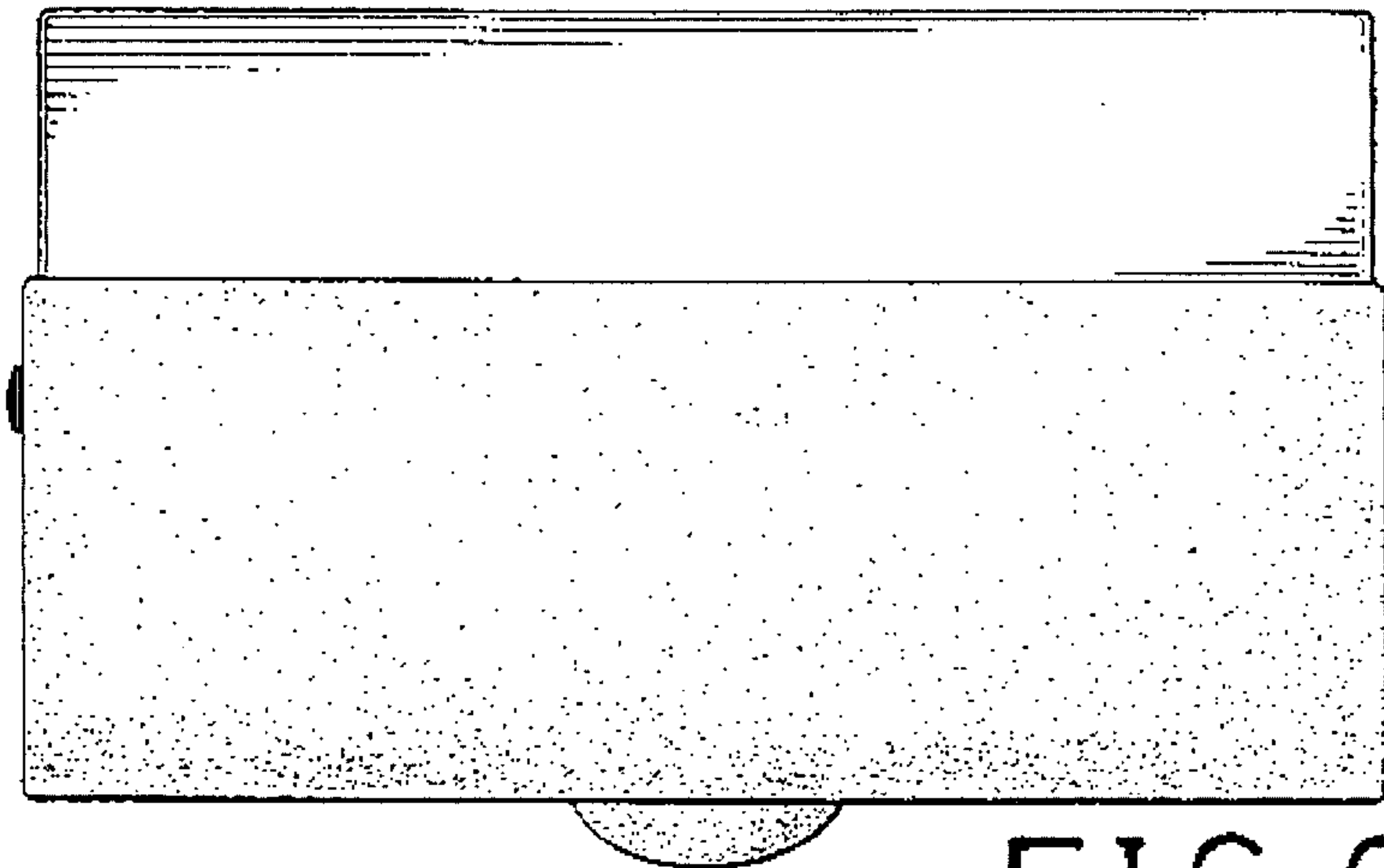


FIG. 6

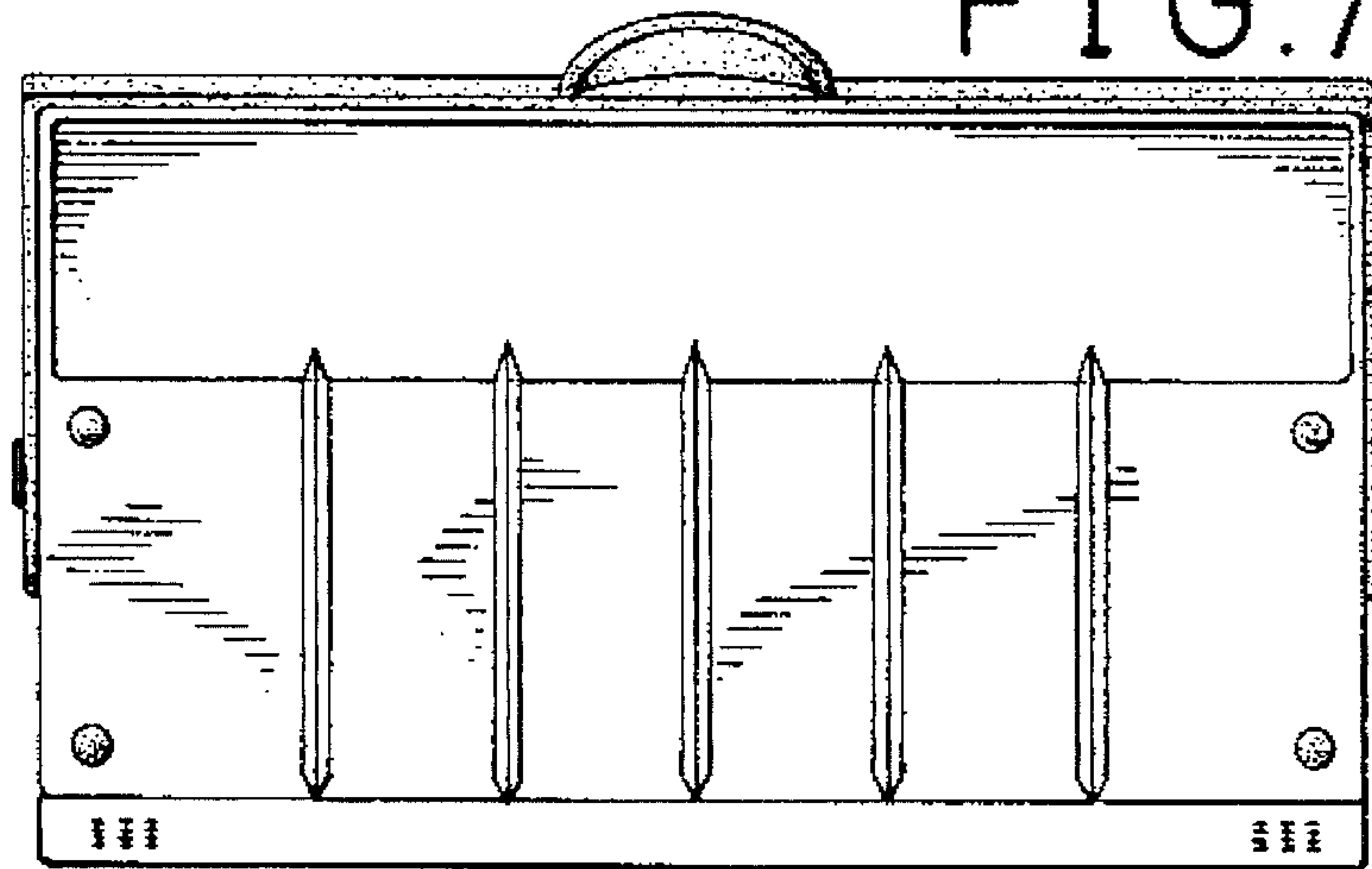


FIG. 7

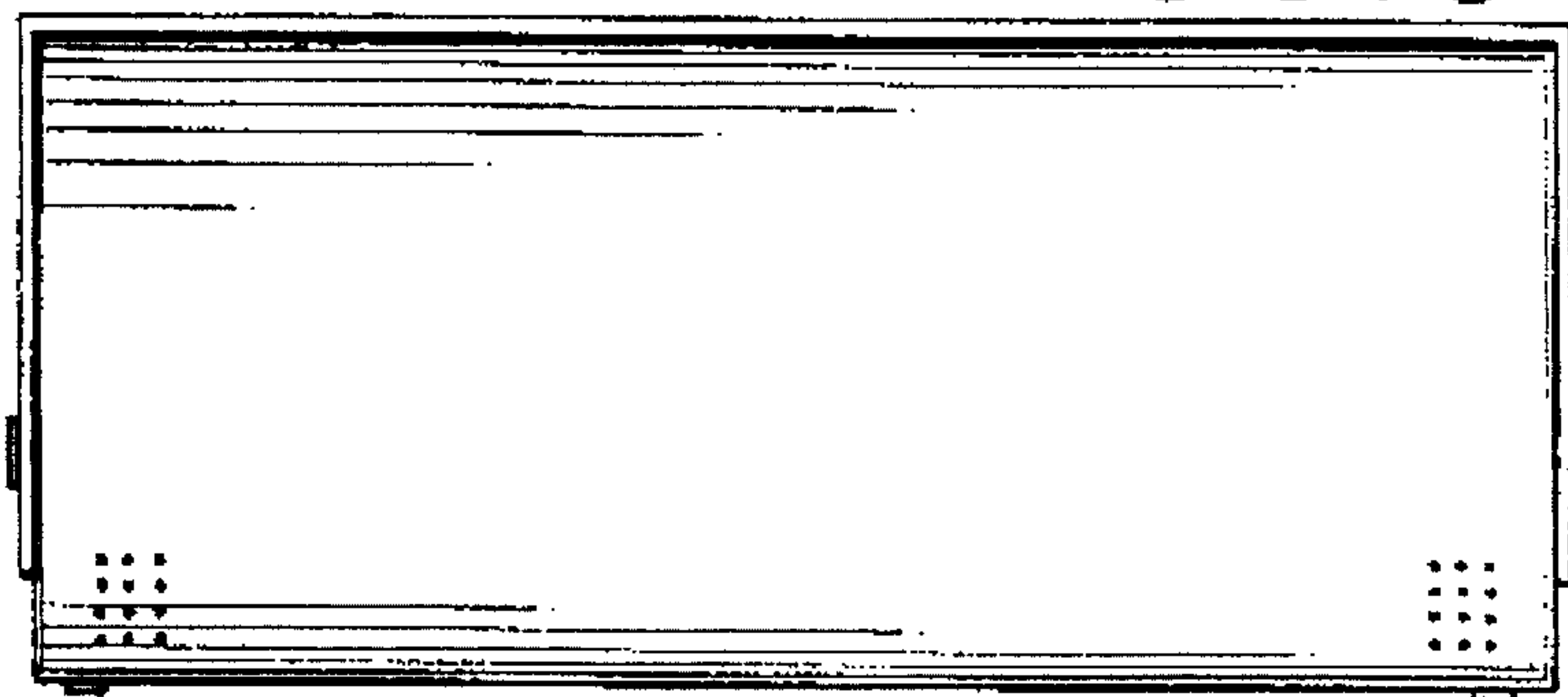


FIG. 3

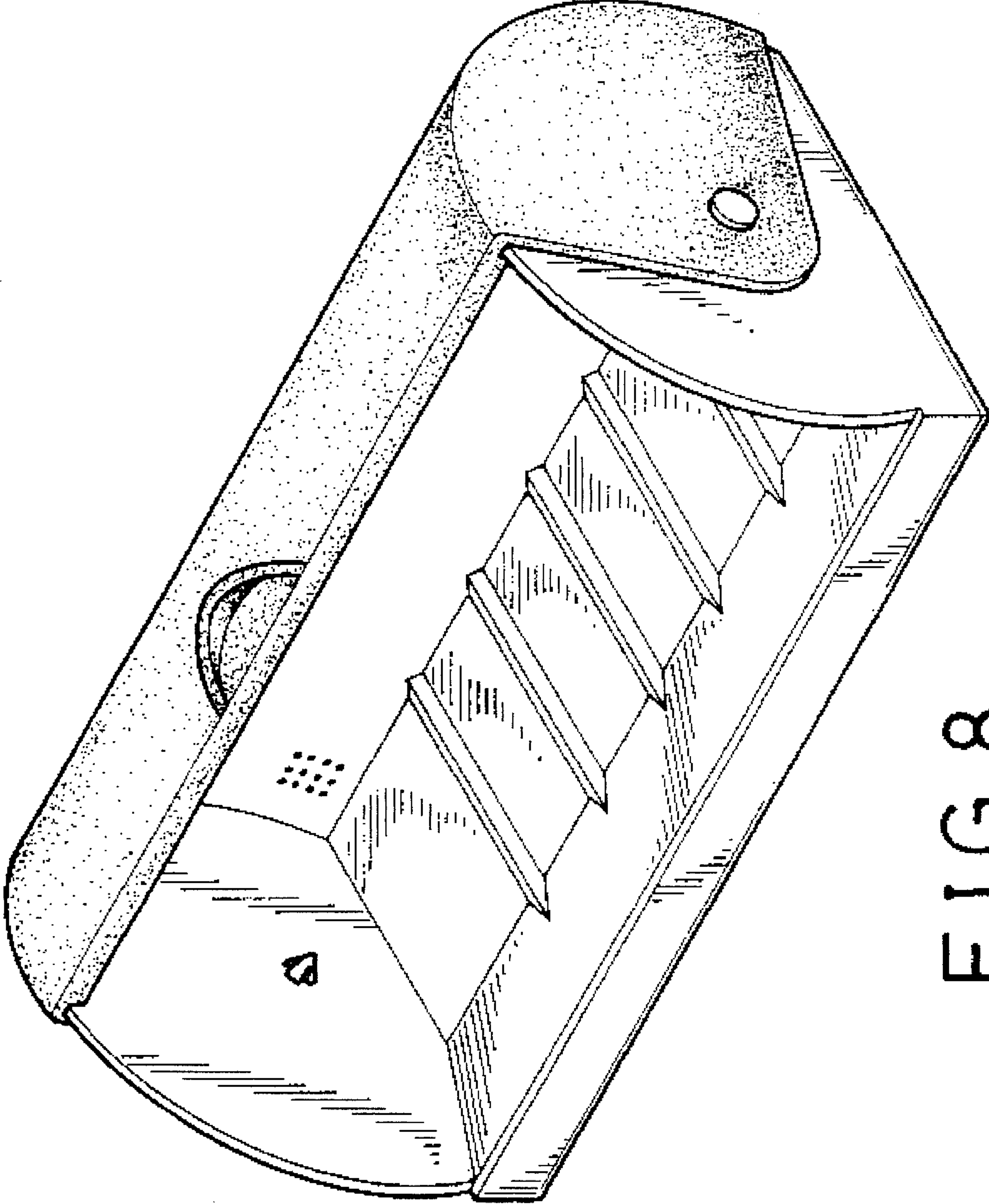


FIG. 8