



US00D372397S

# United States Patent [19]

[11] Patent Number: **Des. 372,397**

Littmann et al.

[45] Date of Patent: **\*\*Aug. 6, 1996**

[54] **WORKING BOWL FOR PROCESSING FOOD WITH AN ATTACHABLE GEAR UNIT**

020495 8/1991 European Pat. Off. .  
029406 4/1994 European Pat. Off. .

[76] Inventors: **Ludwig Littmann**, Fasanenweg 4, 65824 Schwalbach; **Antonio Rebordosa**, Pfingstbornstrasse 19a, 61440 Oberursel, both of Germany

*Primary Examiner*—Antoine Duval Davis  
*Assistant Examiner*—Caron D. Veynar  
*Attorney, Agent, or Firm*—Fish & Richardson, P.C.

[\*\*] Term: **14 Years**

[57] **CLAIM**

The ornamental design for a working bowl for processing food with an attachable gear unit, as shown and described.

[21] Appl. No.: **20,094**

**DESCRIPTION**

[22] Filed: **Mar. 18, 1994**

[30] **Foreign Application Priority Data**

FIG. 1 is a perspective view of the appliance, shown from the top right-hand corner, whereby a working tool is arranged in the working bowl and a lid detachable from the outside is arranged at the bottom thereof;

Oct. 4, 1993 [WO] WIPO ..... DM/027 507

[52] **U.S. Cl.** ..... **D7/413**

[58] **Field of Search** ..... D7/376, 381, 383, D7/384, 386; 241/37.5, 92, 93, 101.1, 199.12, 282.1, 282.2

FIG. 2 is a front view of the appliance of FIG. 1;

FIG. 3 is a rear view of the appliance of FIG. 2;

FIG. 4 is a top plan view of the appliance of FIG. 3;

FIG. 5 is a view of the appliance of FIG. 2, shown from the right-hand side;

[56] **References Cited**

**U.S. PATENT DOCUMENTS**

- D. 255,861 7/1980 Hsu ..... D7/381 X
- D. 315,657 3/1991 Ruttimann ..... D7/384 X
- D. 318,398 7/1991 Disco ..... D7/378
- D. 320,326 10/1991 Barrault ..... D7/381 X
- D. 332,201 1/1993 Beeren ..... D7/376 X

FIG. 6 is a view of the appliance of FIG. 2, shown from the left-hand side;

FIG. 7 is a bottom view of the appliance of FIG. 6;

FIG. 8 is a perspective view thereof, and the broken line showing a mixer is for illustrative purposes only and forms no part of the claimed design; and,

FIG. 9 is a perspective view of the working bowl shown separately for ease of illustration with the lid in an alternate position.

**FOREIGN PATENT DOCUMENTS**

005914 10/1985 European Pat. Off. .

**1 Claim, 6 Drawing Sheets**

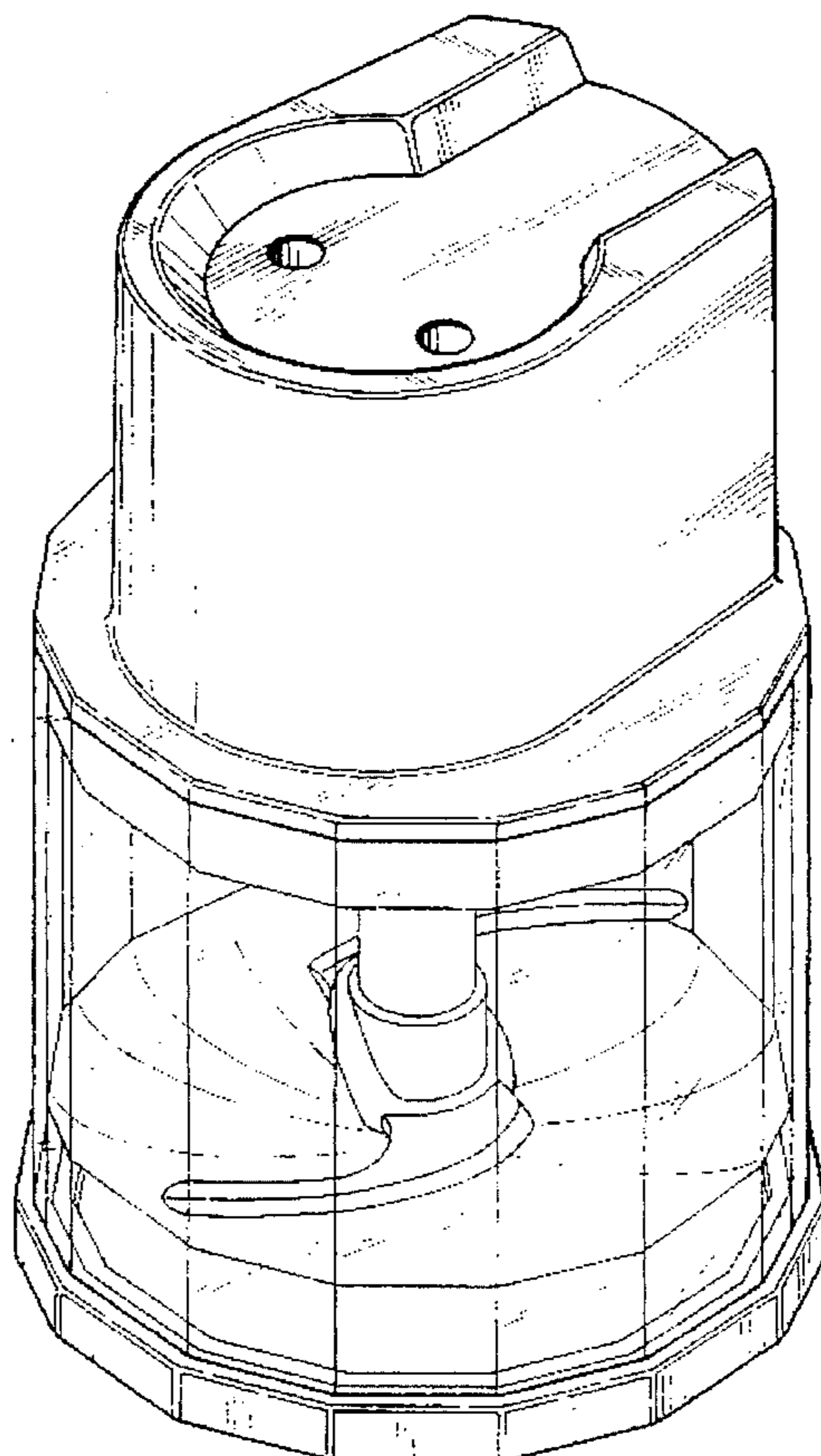


Fig. 1

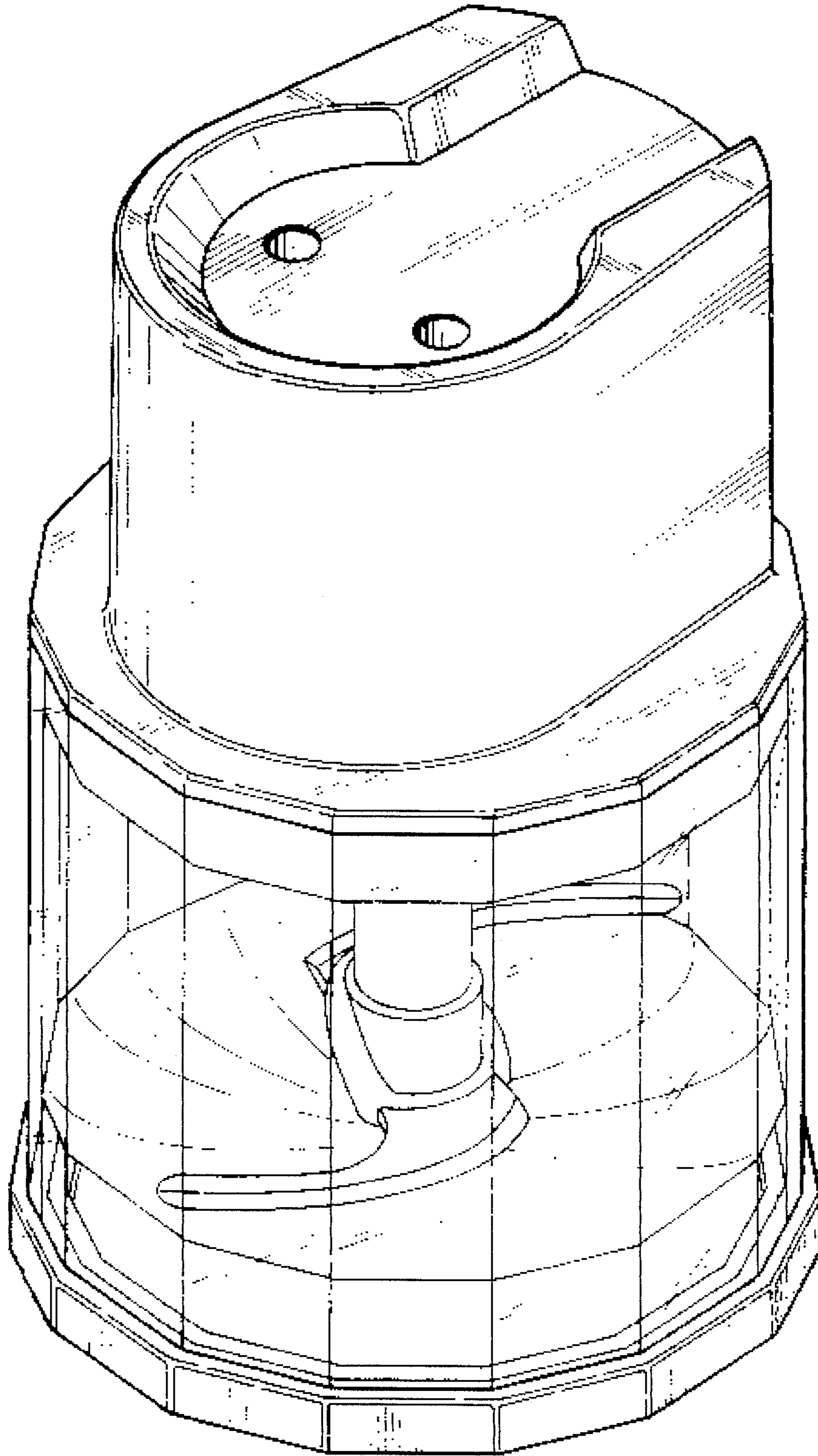


Fig. 2

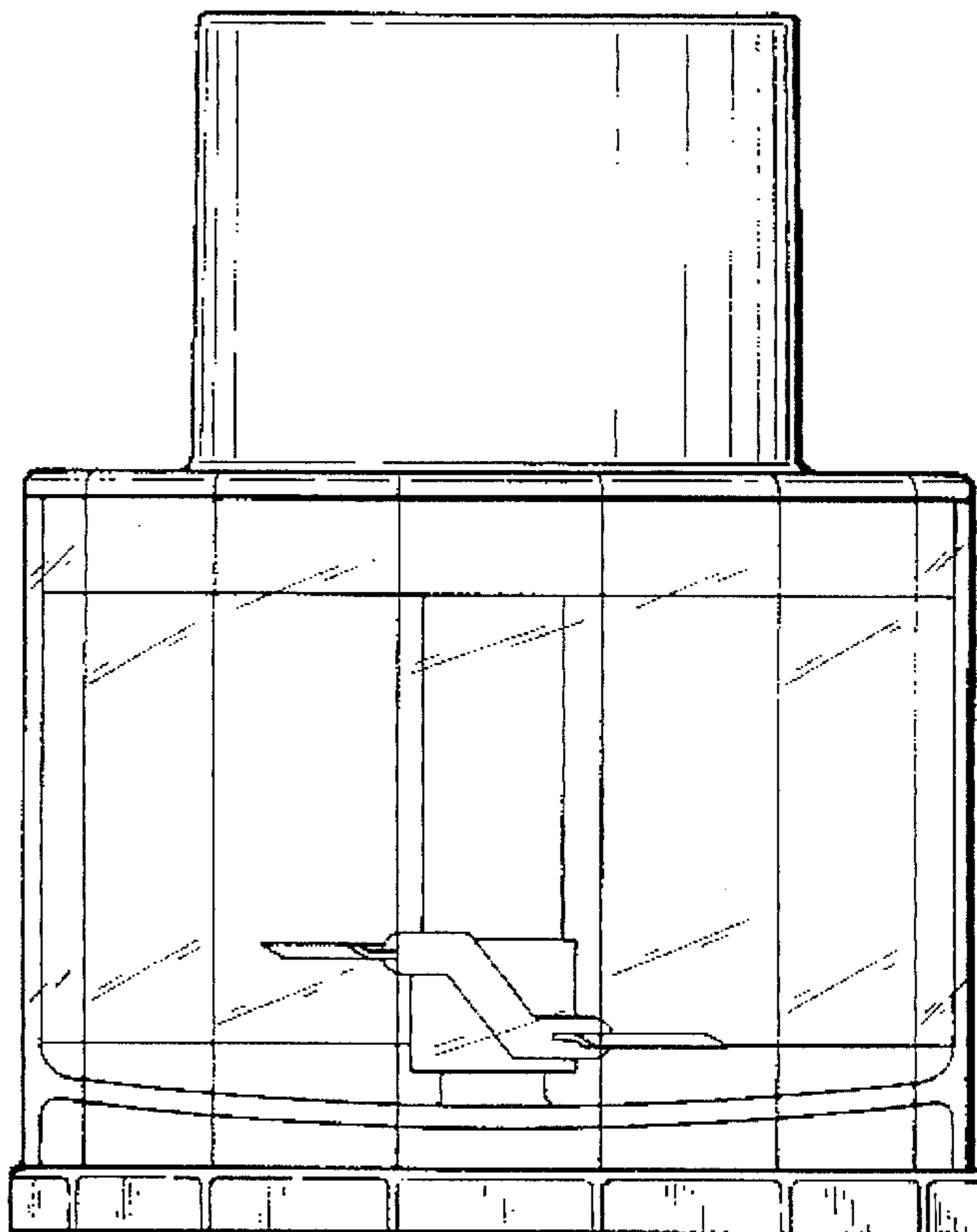


Fig. 3

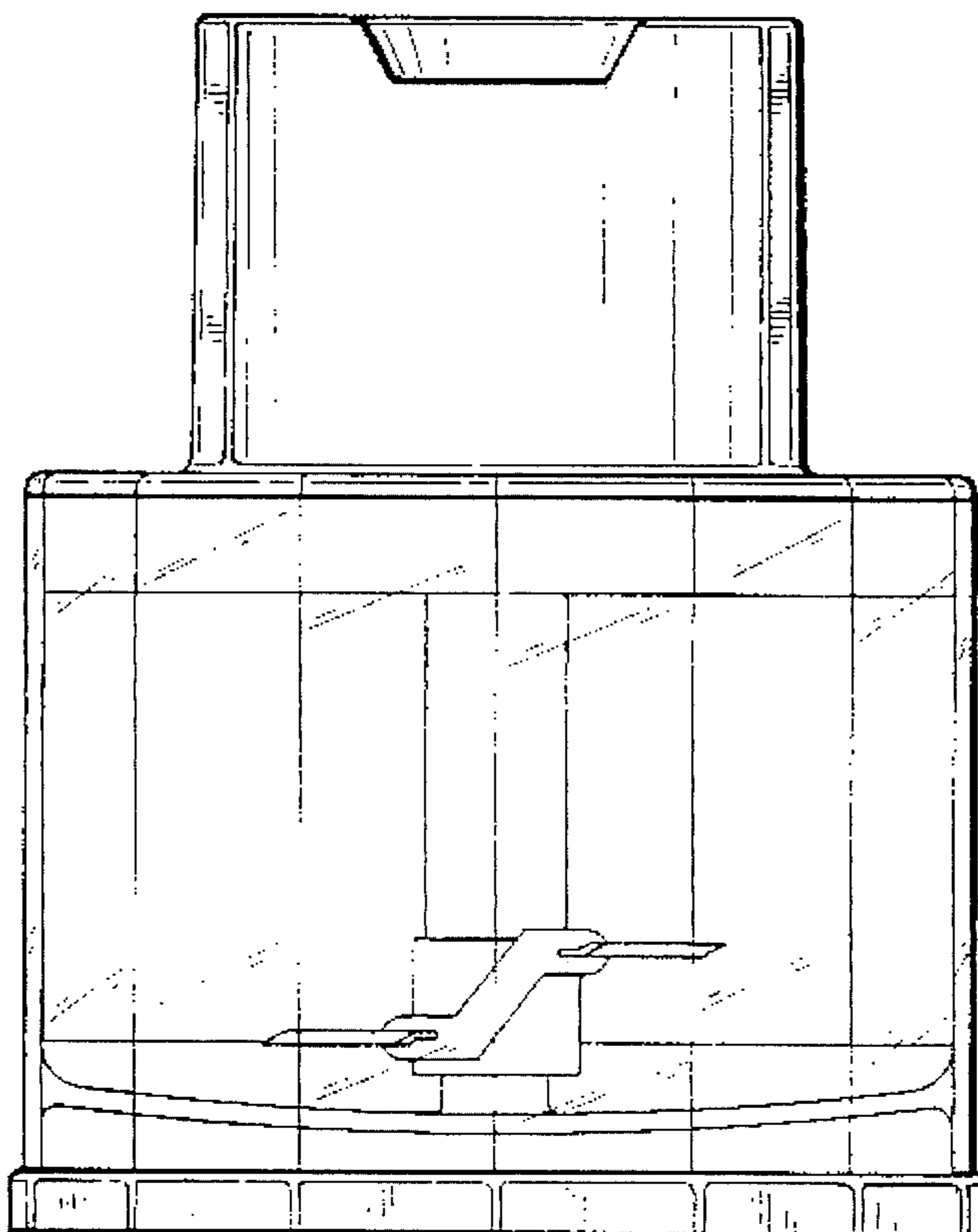


Fig. 4

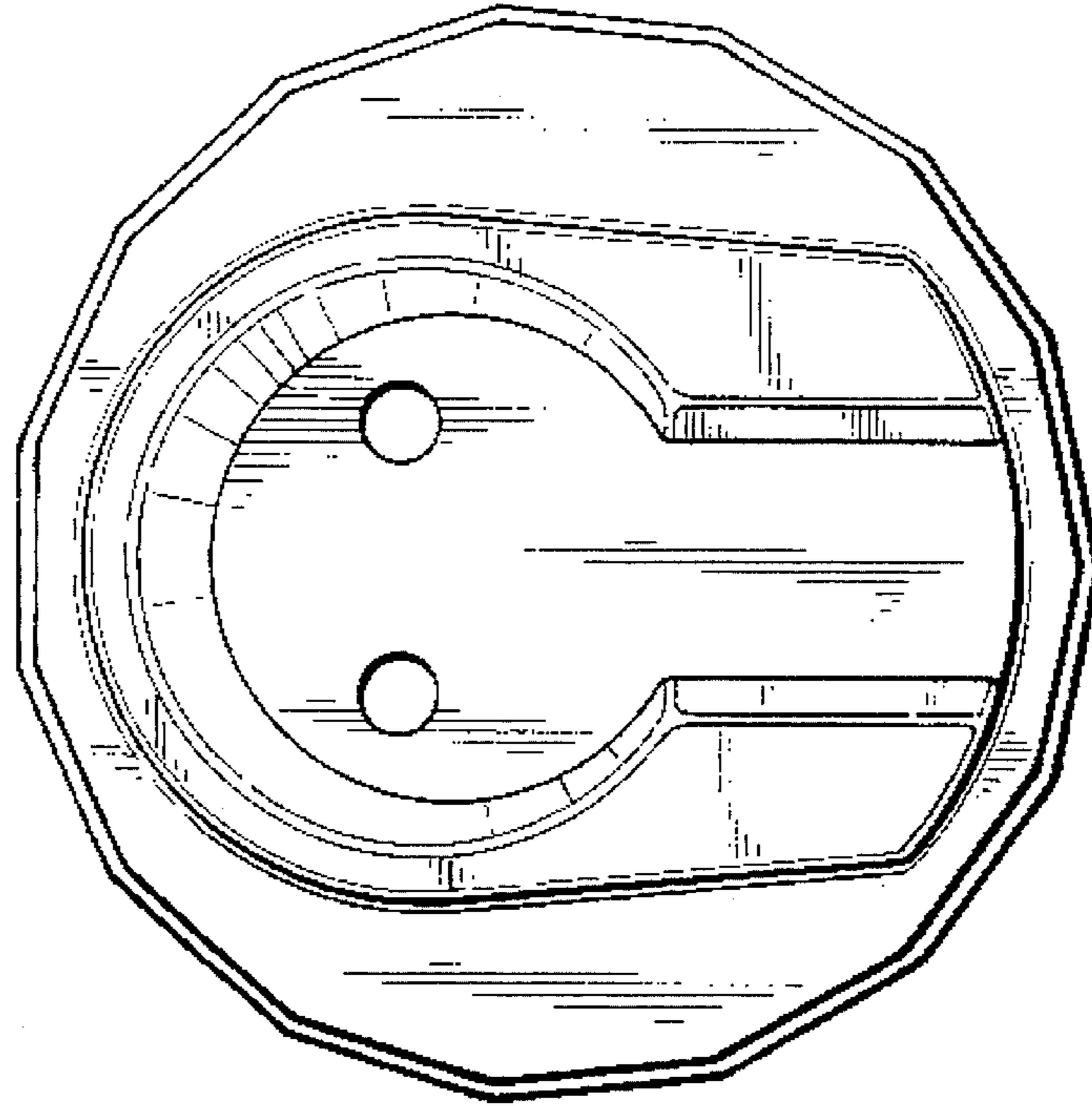


Fig. 5

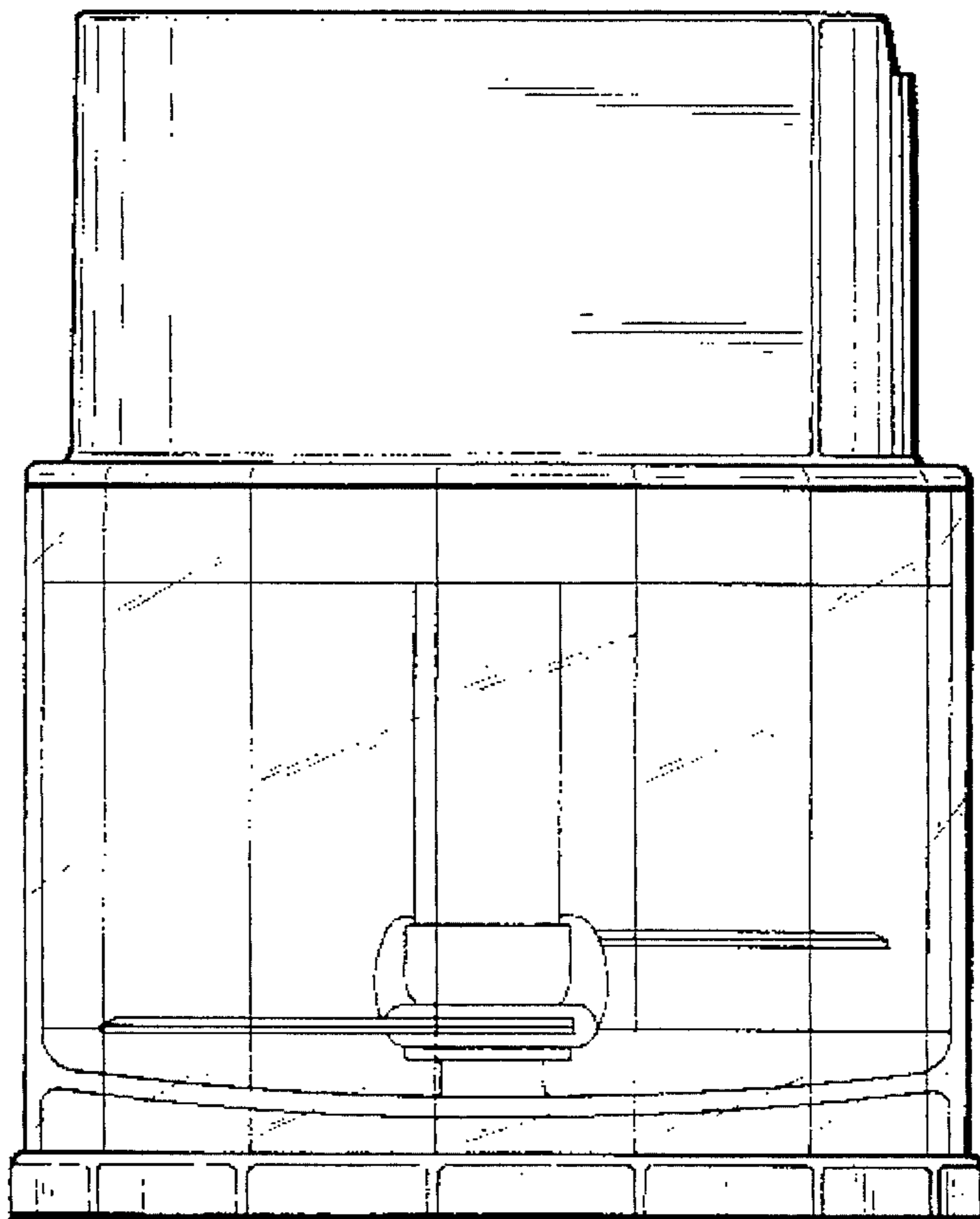


Fig. 6

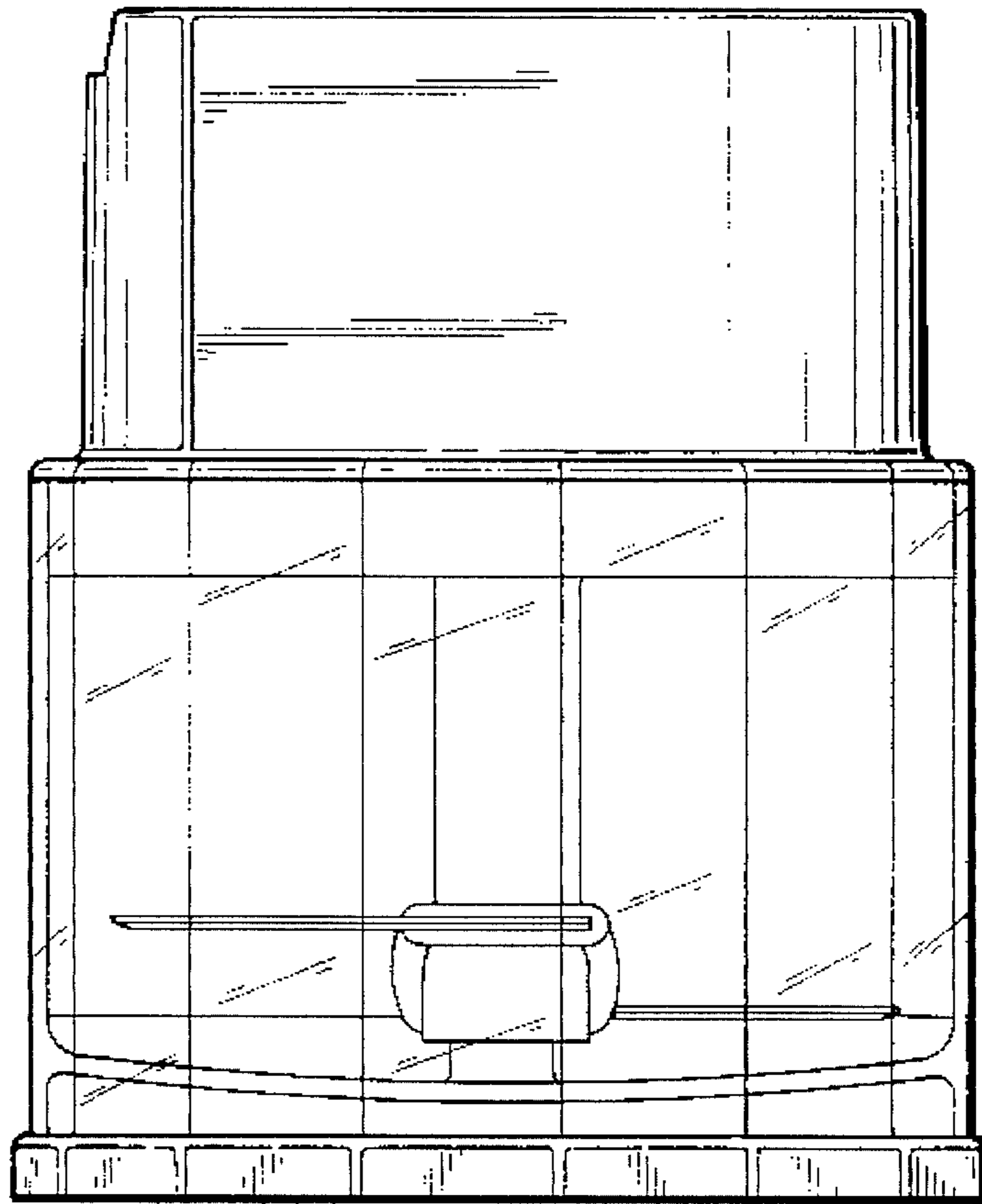
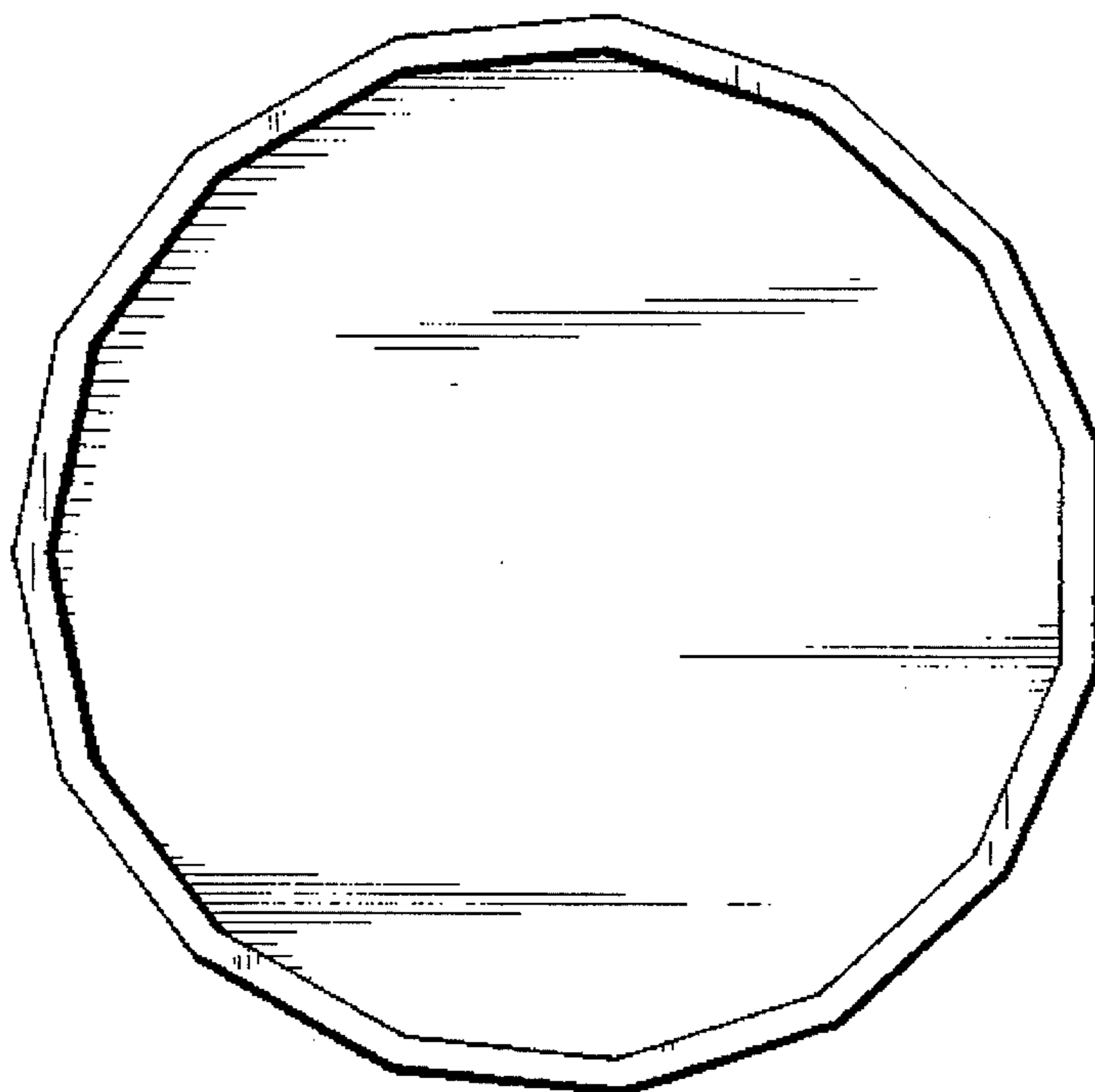


Fig. 7



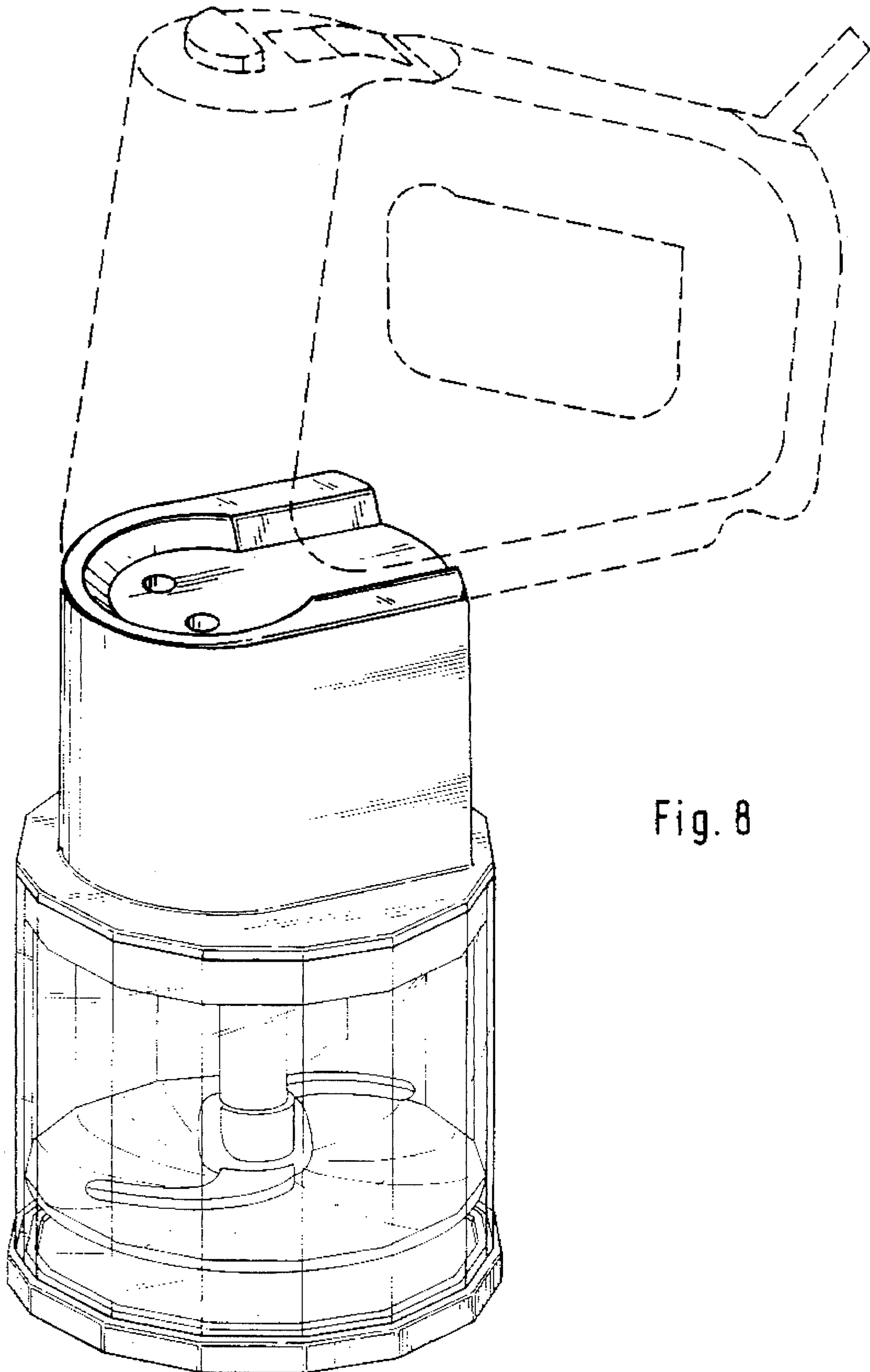


Fig. 8

Fig. 9

