



US00D372390S

United States Patent [19]

Lloyd-Morris et al.

[11] Patent Number: **Des. 372,390**

[45] Date of Patent: ****Aug. 6, 1996**

[54] **MAGNETIC UTENSIL HOLDER**

[75] Inventors: **Michael A. Lloyd-Morris**,
Barton-under-Needwood; **John F. Ewans**,
High Wycombe, both of England

[73] Assignee: **Bisbell Magnetic Products Ltd.**,
United Kingdom

[**] Term: **14 Years**

[21] Appl. No.: **39,518**

[22] Filed: **May 30, 1995**

[52] U.S. Cl. **D6/553**

[58] Field of Search D6/553, 567, 552;
211/87, 88-89, 60.1, 70.6, 70.7, 86; 206/77.1,
352, 818; 248/37.3; 221/89

[56] **References Cited**

U.S. PATENT DOCUMENTS

D. 253,144 10/1979 Heckler D6/527

D. 253,150 10/1979 Heckler D6/527
D. 327,387 6/1992 Hofer D6/553
4,497,412 2/1985 LaBelle 221/89 X

Primary Examiner—Brian N. Vinson
Attorney, Agent, or Firm—Saidman Design Law Group

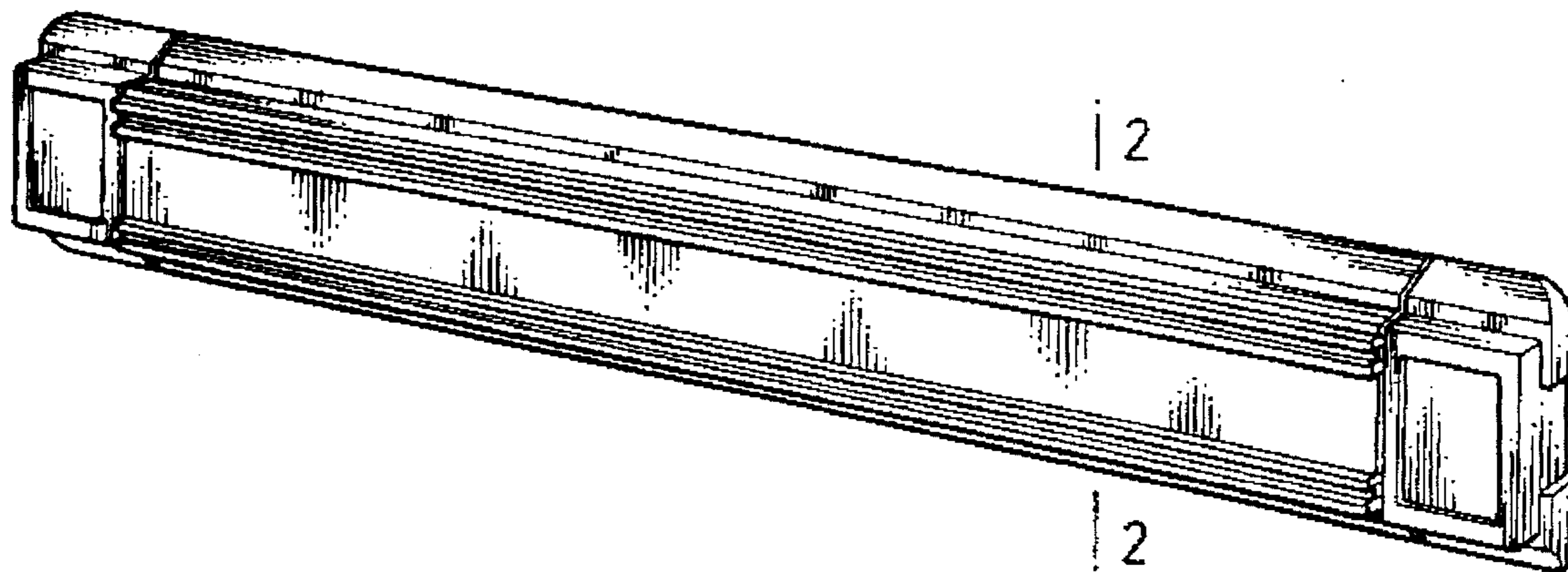
[57] **CLAIM**

The ornamental design for a magnetic utensil holder, as shown and described.

DESCRIPTION

FIG. 1 is a top, front, and right side perspective view of a magnetic utensil holder showing our new design;
FIG. 2 is an enlarged vertical cross-sectional view thereof, taken along line 2—2 of FIG. 1;
FIG. 3 is a left side elevational view thereof; and,
FIG. 4 is a rear elevational view thereof.

1 Claim, 1 Drawing Sheet



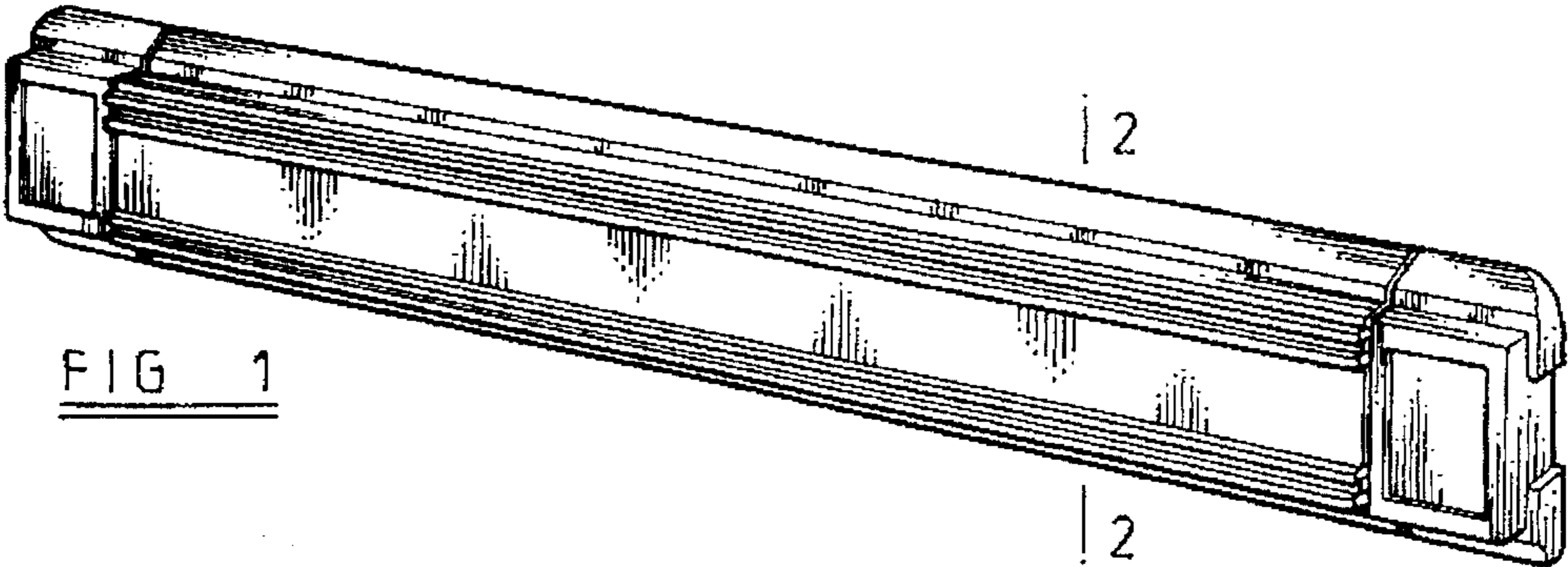


FIG 1

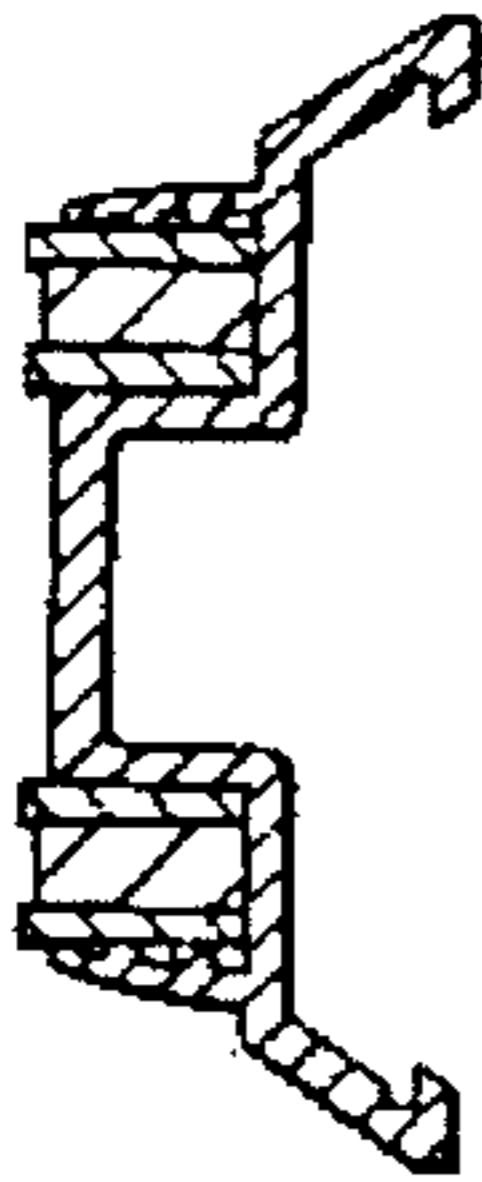


FIG 2



FIG 3

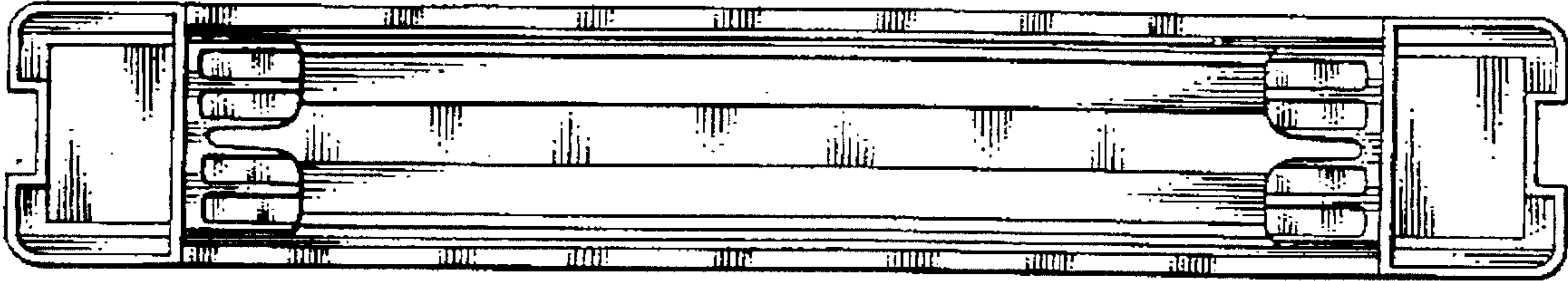


FIG 4