



US00D372389S

# United States Patent [19]

[11] Patent Number: **Des. 372,389**

**Kincman, Sr.**

[45] Date of Patent: **\*\*Aug. 6, 1996**

[54] **HANGING TOWEL HOLDER**

3,159,281 12/1964 Hunter ..... 211/45

[76] Inventor: **David A. Kincman, Sr.**, 37 Tadmuck Rd., Westford, Mass. 01886

*Primary Examiner*—Brian N. Vinson  
*Attorney, Agent, or Firm*—Ernest V. Linek

[\*\*] Term: **14 Years**

[57] **CLAIM**

The ornamental design of a hanging towel holder, as shown and described.

[21] Appl. No.: **40,347**

[22] Filed: **Jun. 15, 1995**

**DESCRIPTION**

[52] U.S. Cl. .... **D6/547; D6/513**

[58] Field of Search ..... D6/512-513, 546, D6/547, 608; D3/201, 215; 211/44-45, 48, 113; 248/65, 71, 95, 205.1, 220.2, 309.1, 314, 317

FIG. 1 is a front view of the hanging towel holder of this invention;

FIG. 2 is a plan view of the hanging towel holder of this invention;

FIG. 3 is a right side elevation of the hanging towel holder of this invention, the left side elevation being a mirror image of FIG. 3;

FIG. 4 is a rear view of the hanging towel holder of this invention;

FIG. 5 is an end elevation of the hanging towel holder of this invention; and,

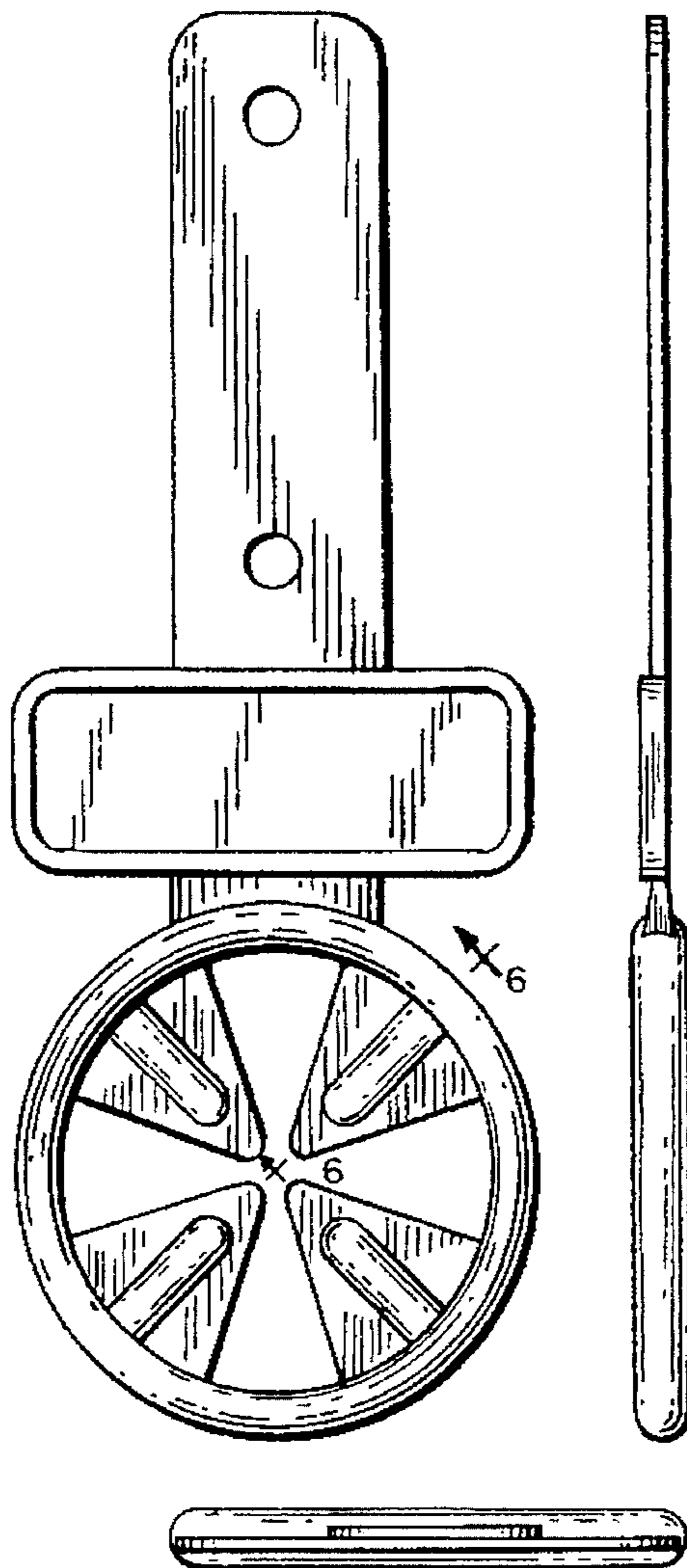
FIG. 6 is a sectional view taken along line 5—5 in FIG. 1.

[56] **References Cited**

**U.S. PATENT DOCUMENTS**

D. 194,177	12/1962	Swett	.....	D6/546
D. 250,924	1/1979	Helsm	.....	D6/547
D. 253,676	12/1979	Mathieson	.....	D3/215 X
D. 315,675	3/1991	Kennedy et al.	.....	D6/547
2,754,532	7/1956	KAnehl et al.	.....	D6/608
2,974,916	3/1961	Richey	.....	248/71

**1 Claim, 1 Drawing Sheet**



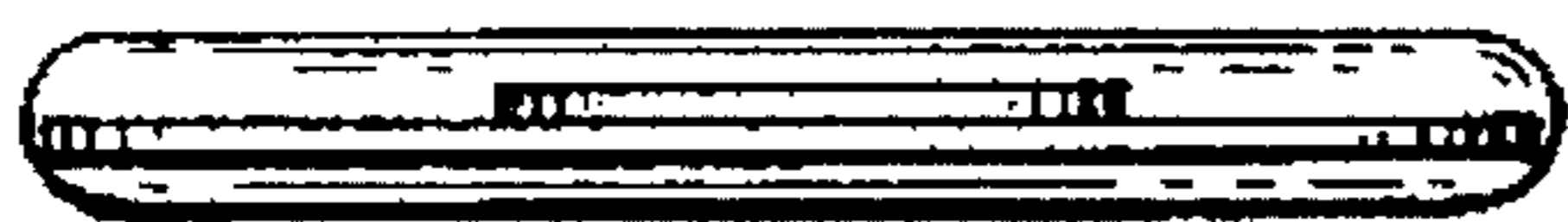


FIG. 2

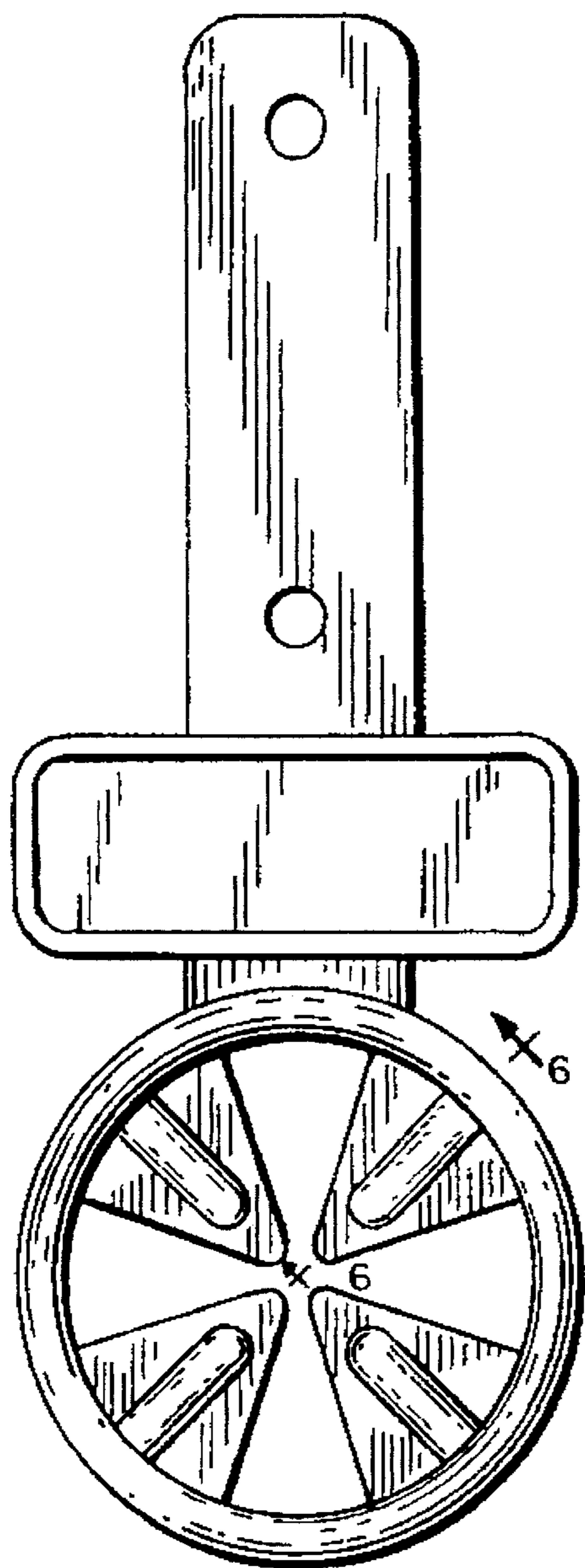


FIG. 1



FIG. 3

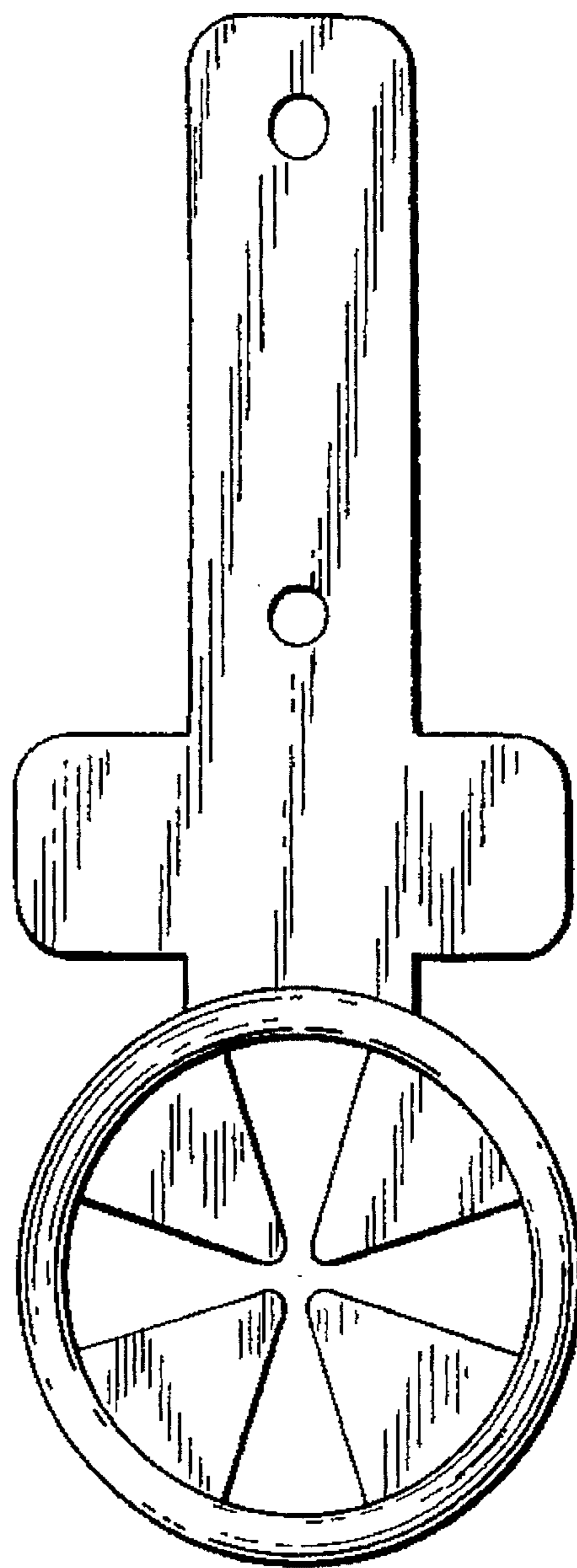


FIG. 4

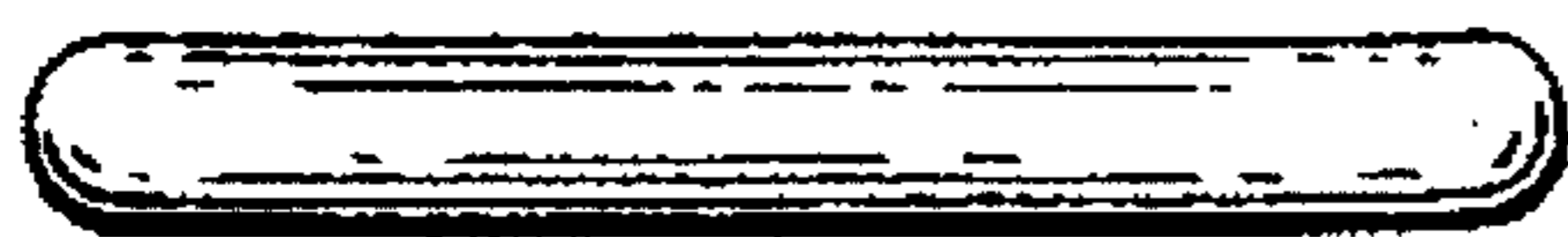


FIG. 5



FIG. 6