



US00D372388S

United States Patent [19]

[11] Patent Number: **Des. 372,388**

Kincman, Sr.

[45] Date of Patent: ****Aug. 6, 1996**

[54] **HANGING TOWEL HOLDER**

2,974,916 3/1961 Richey 248/71
3,159,281 12/1964 Hutter 211/45

[76] Inventor: **David A. Kincman, Sr.**, 37 Tadmuck Rd., Westford, Mass. 01886

Primary Examiner—Brian N. Vinson
Attorney, Agent, or Firm—Ernest V. Linek

[**] Term: **14 Years**

[57] **CLAIM**

[21] Appl. No.: **40,346**

The ornamental design of a towel holder, as shown and described.

[22] Filed: **Jun. 15, 1995**

[52] U.S. Cl. **D6/547; D6/513**

[58] Field of Search D6/512-514, 546-547, D6/608; D3/201, 215; 211/44-45, 48, 113; 248/65, 71, 94, 205.1, 220.2, 309.1, 314, 317

DESCRIPTION

FIG. 1 is a front view of the hanging towel holder of this invention; the rear view being a mirror image of FIG. 1; FIG. 2 is a plan view of the hanging towel holder of this invention; FIG. 3 is a right side elevation of the hanging towel holder of this invention, the left side elevation being a mirror image of FIG. 3; FIG. 4 is an end elevation of the hanging towel holder of this invention; and, FIG. 5 is a sectional view taken along line 5—5 in FIG. 1.

[56] References Cited

U.S. PATENT DOCUMENTS

D. 194,177	12/1962	Swett	D6/546
D. 250,924	1/1979	Helsm	D6/547
D. 253,676	12/1979	Mathieson	D3/215 X
D. 315,675	3/1991	Kennedy et al.	D6/547
2,754,532	7/1956	KAnehl et al.	D6/608

1 Claim, 1 Drawing Sheet

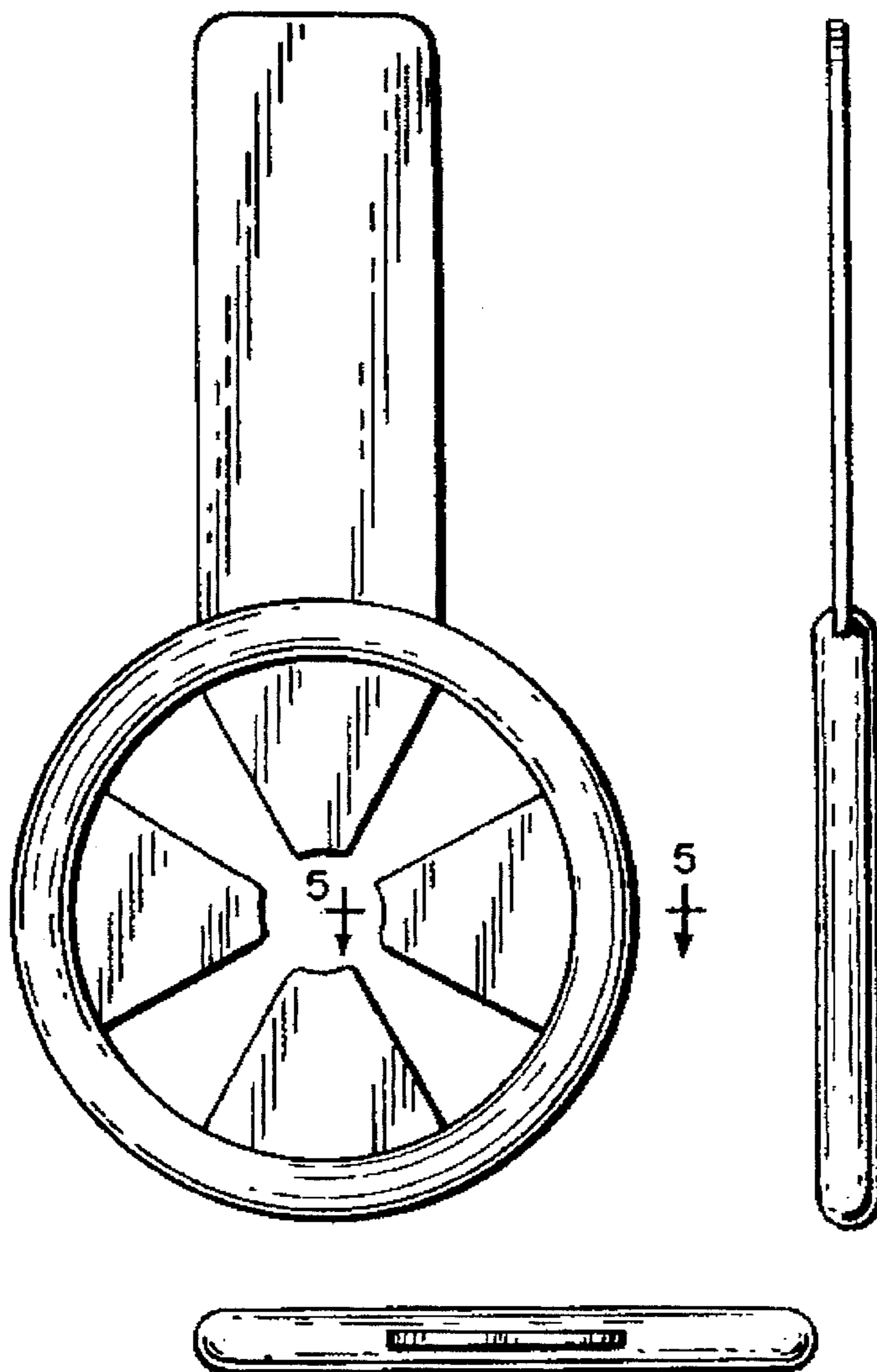




FIG. 2

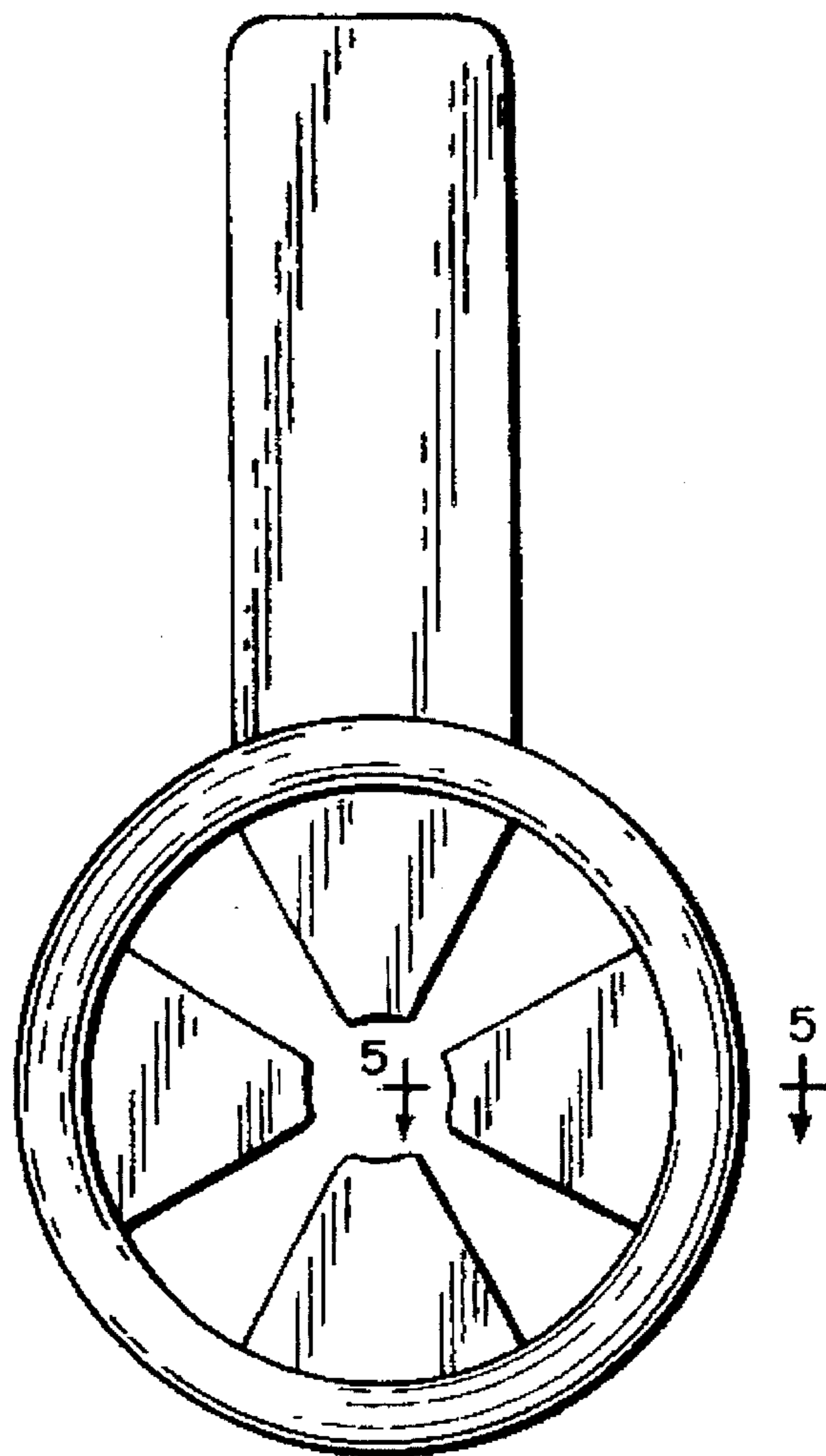


FIG. 1



FIG. 3

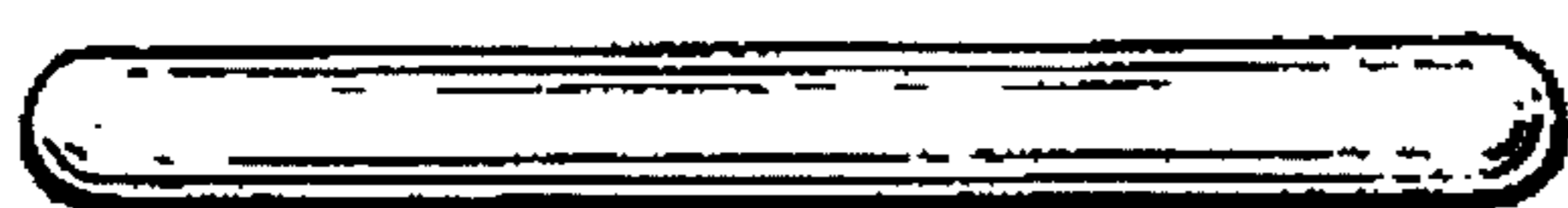


FIG. 4



FIG. 5