



US00D372383S

# United States Patent [19]

[11] Patent Number: **Des. 372,383**

**Saldana et al.**

[45] Date of Patent: **\*\*\* Aug. 6, 1996**

[54] TABLE

830001 11/1957 United Kingdom ..... 108/157

[75] Inventors: **Leonard R. Saldana**, Hendersonville, Tenn.; **Joseph E. Blazar**, Joplin, Mo.

### OTHER PUBLICATIONS

Floyd-Outdoor Line, #T6011 Table.

[73] Assignee: **Sunbeam Products, Inc.**, Fort Lauderdale, Fla.

*Primary Examiner*—Janice E. Seeger  
*Attorney, Agent, or Firm*—Paul D. Bangor, Jr.; Michael J. Kline; Carol I. Bordas

[\*] Notice: The portion of the term of this patent subsequent to Aug. 6, 2010, has been disclaimed.

### [57] CLAIM

The ornamental design for a table, as shown and described.

[\*\*] Term: **14 Years**

### DESCRIPTION

[21] Appl. No.: **20,795**

FIG. 1 is a front perspective view of the table of the present invention having a table top comprising a transparent material;

[22] Filed: **Apr. 1, 1994**

[52] U.S. Cl. .... **D6/487; D6/488**

FIG. 2 is a front elevational view of the table of FIG. 1, which also illustrates the identical rear, right side and left side elevational views of the looped-leg circular table of FIG. 1;

[58] Field of Search ..... D6/480-489, 495-499; 108/153, 156, 157, 161; 248/188, 188.1

FIG. 3 is a top plan view of the table of FIG. 1;

### [56] References Cited

#### U.S. PATENT DOCUMENTS

D. 155,125	9/1949	Castelli	.....	D6/488
D. 246,341	11/1977	Boughton	.....	D6/487
D. 291,752	9/1987	Conn	.....	D6/487
2,635,024	4/1953	Sanfac	.....	108/157

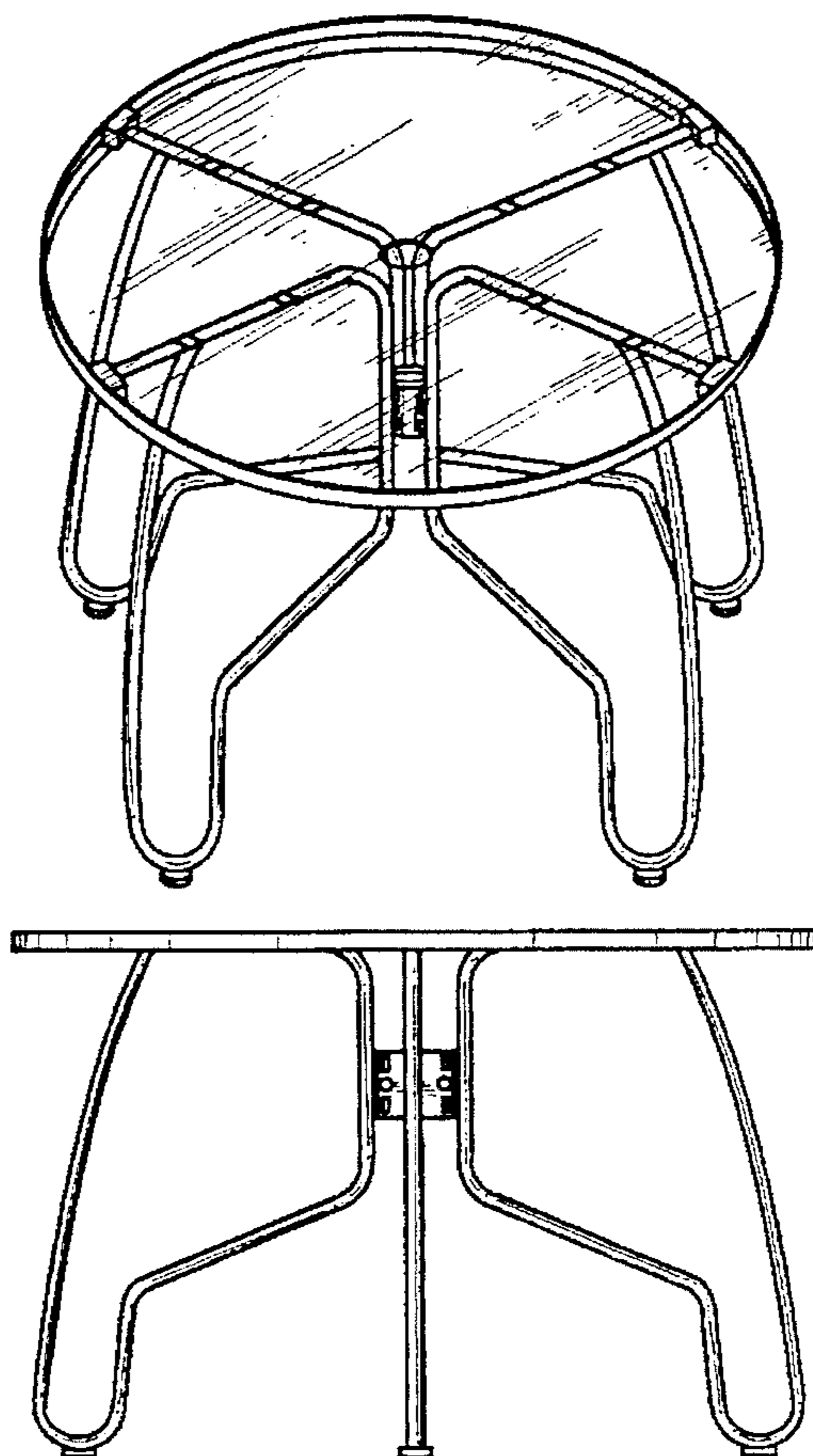
FIG. 4 is a bottom plan view of the table of FIG. 1; and,

FIG. 5 is a front perspective view of the table of the present invention having a table top comprising an opaque material. The characteristic feature of the design resides in the particular configuration of the tubular leg members as best shown in FIG. 2.

#### FOREIGN PATENT DOCUMENTS

219472	12/1910	Germany	.....	108/153
--------	---------	---------	-------	---------

**1 Claim, 3 Drawing Sheets**



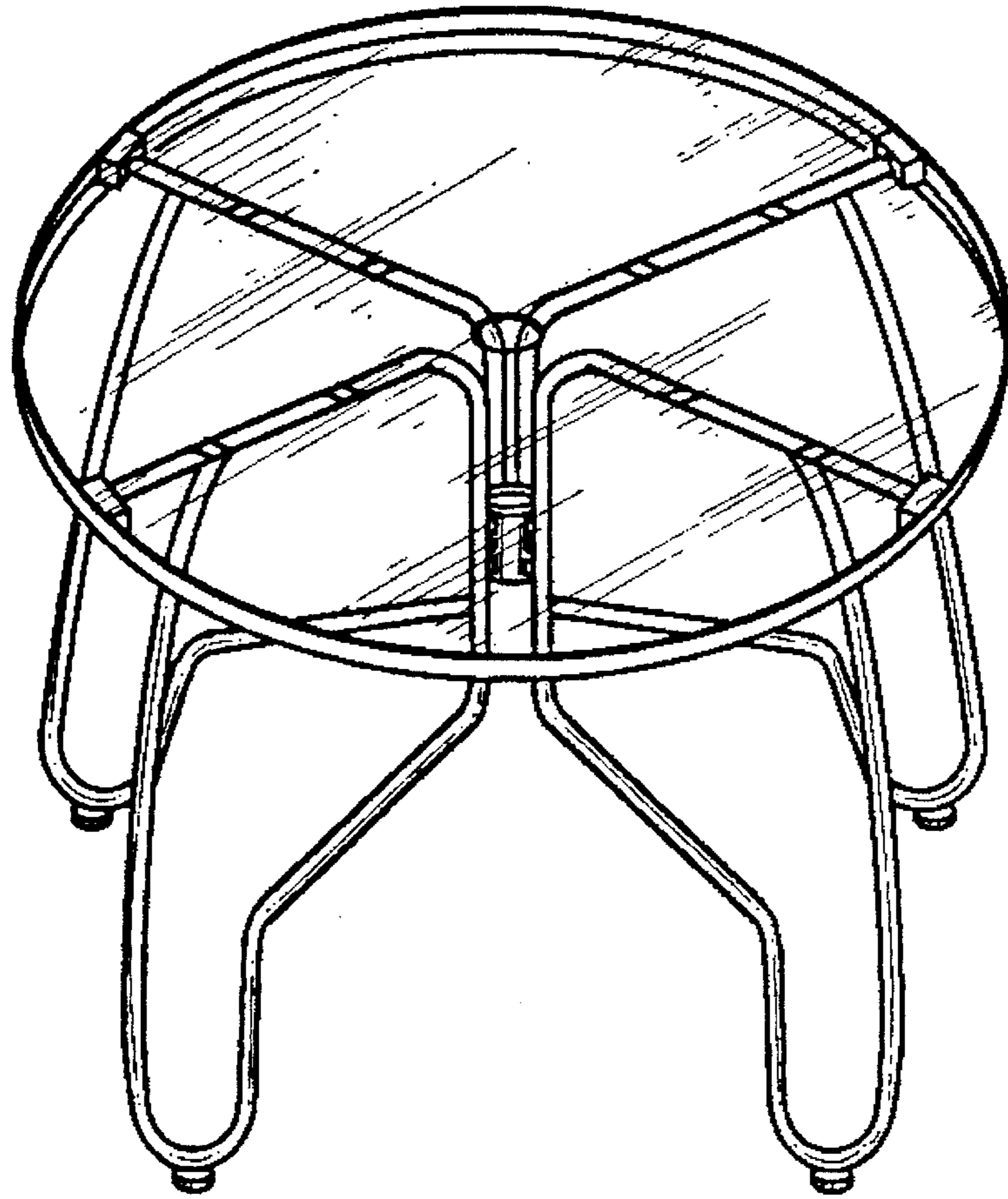


FIG. 1

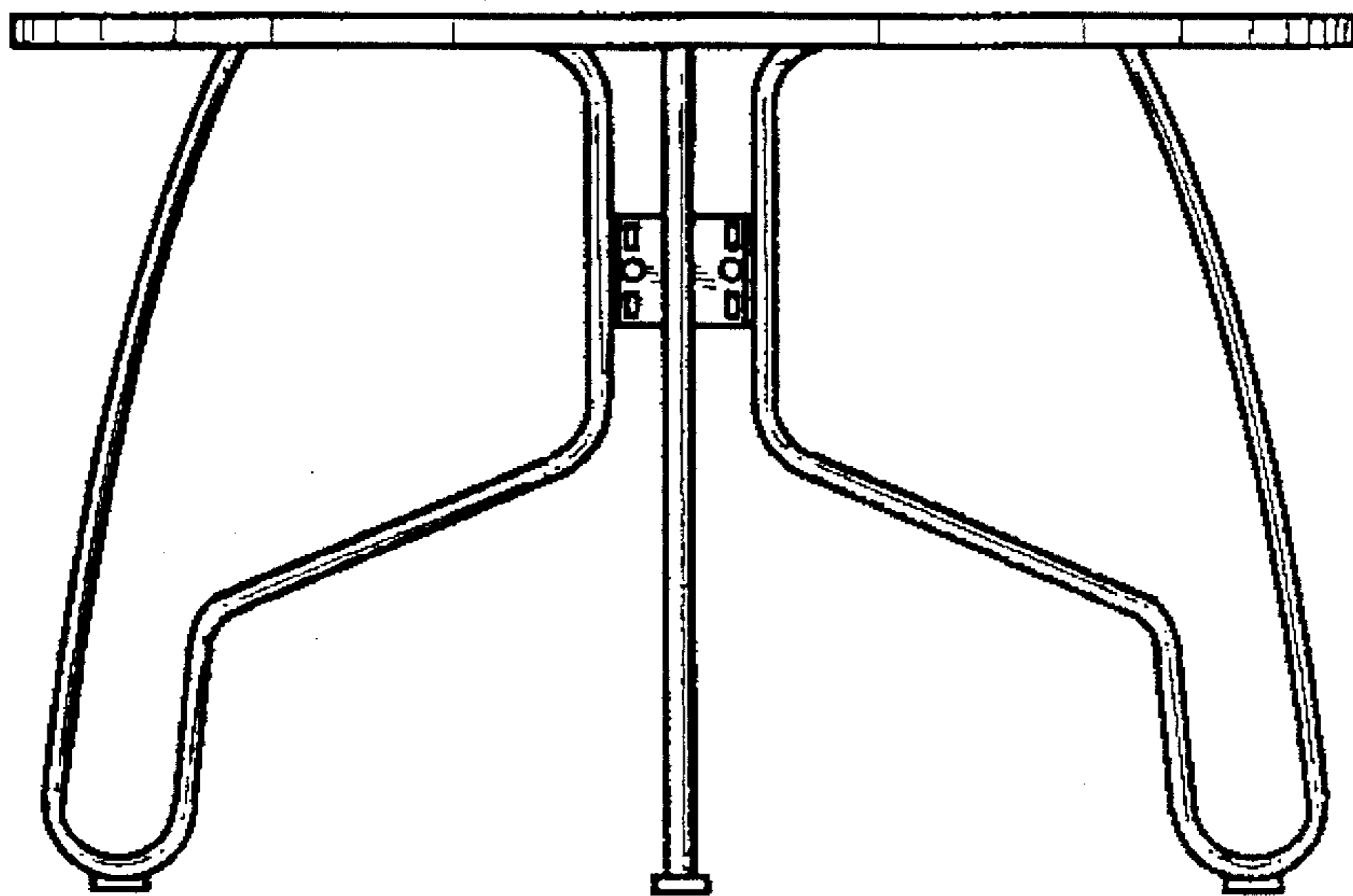


FIG. 2

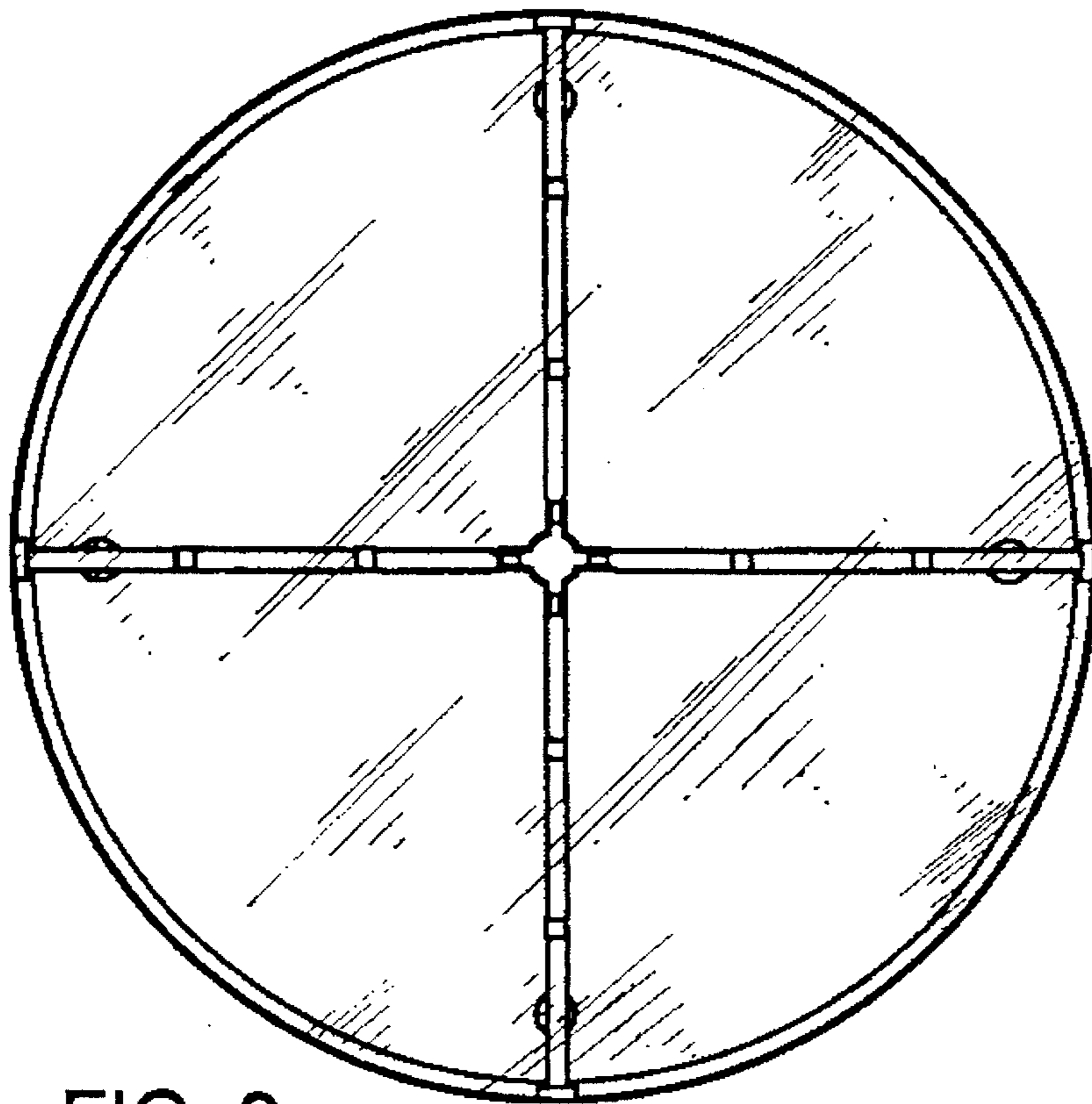


FIG. 3

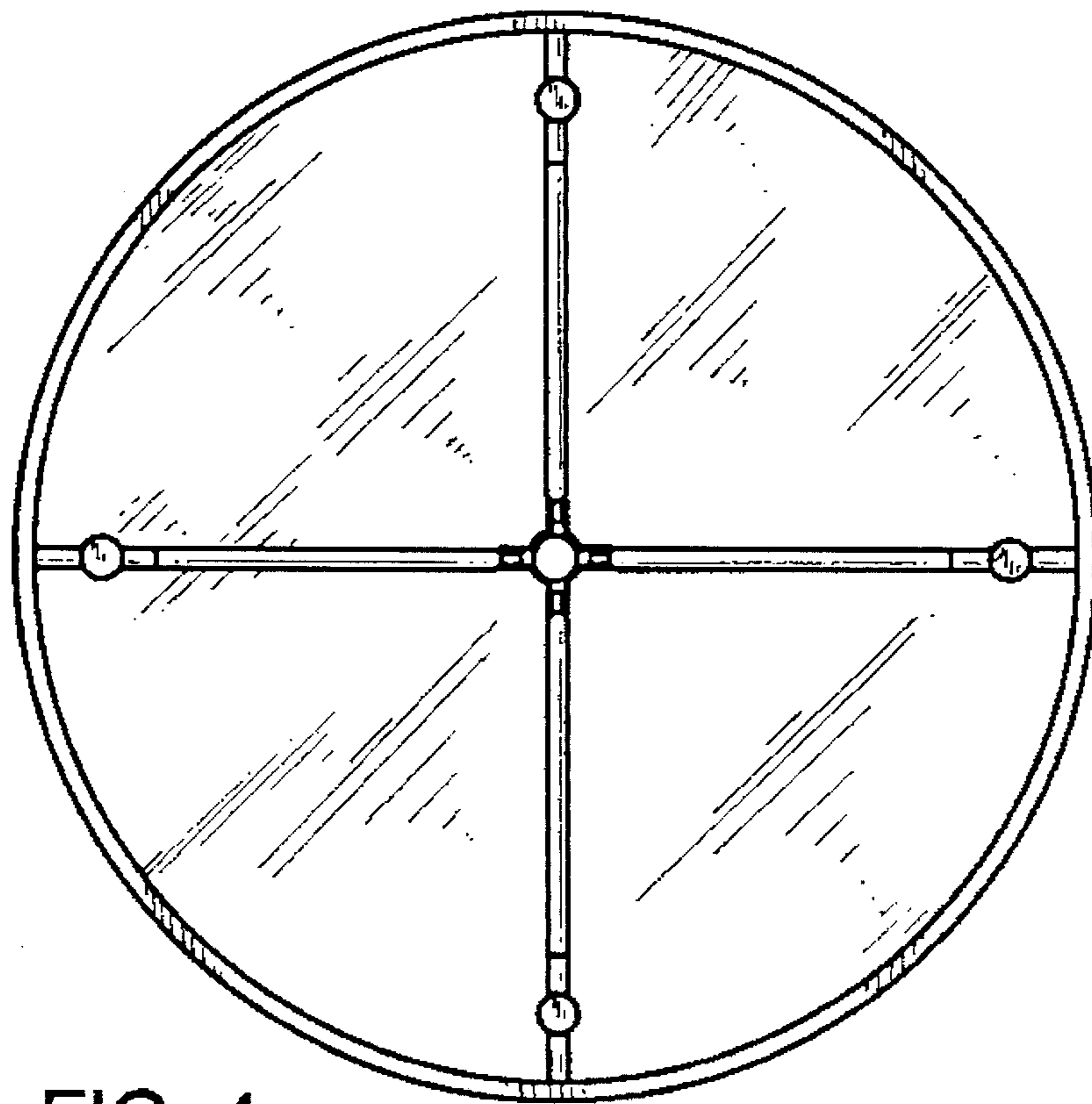


FIG. 4

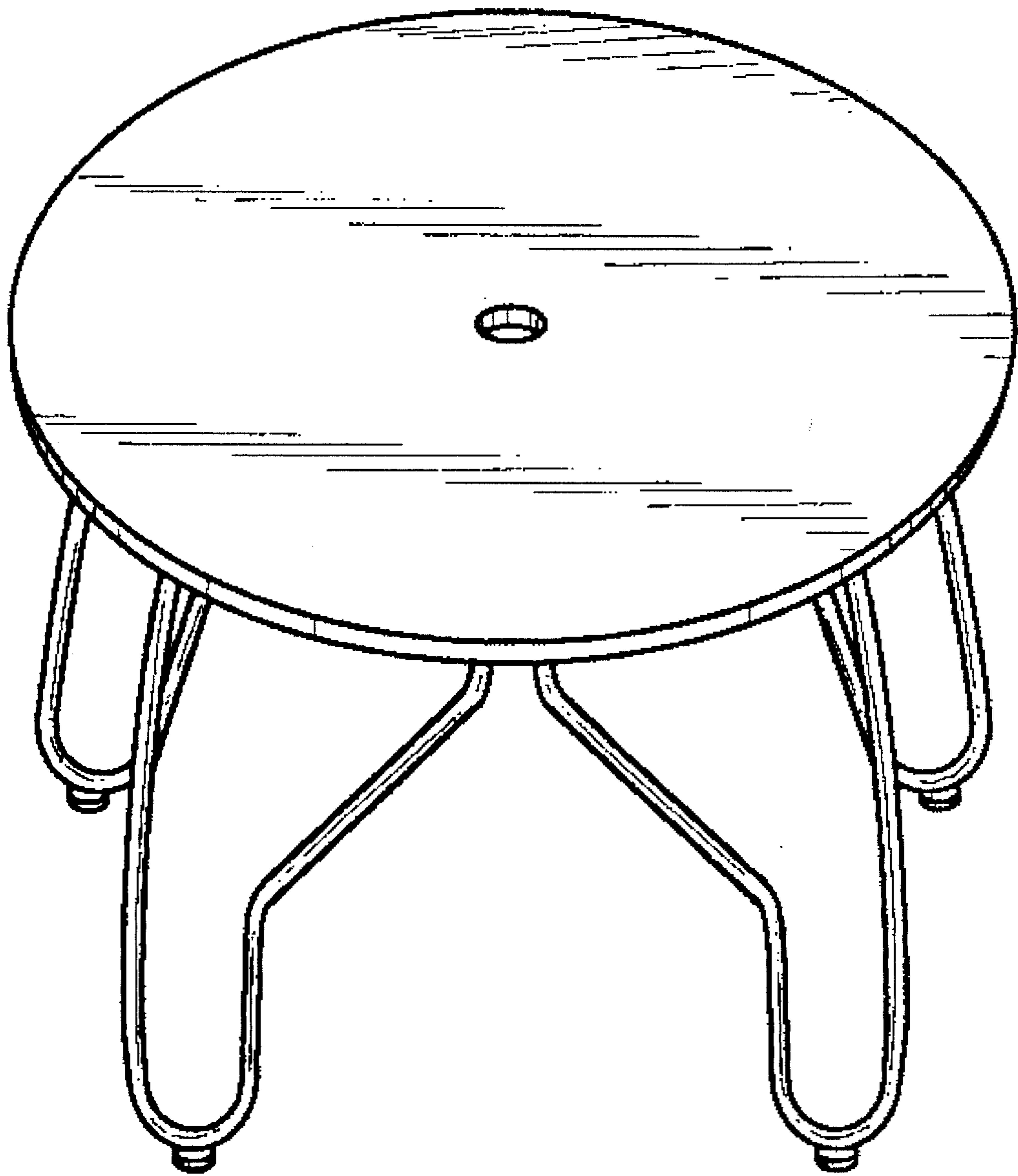


FIG. 5