



US00D372379S

United States Patent [19]

[11] Patent Number: **Des. 372,379**

Newman

[45] Date of Patent: ****Aug. 6, 1996**

[54] **PORTABLE ENTERTAINMENT CENTER**

D. 289,114 4/1987 Dickson D6/479 X
D. 341,503 11/1993 Leonard D6/467

[76] Inventor: **David T. Newman**, 82 Royal View Dr., Rochester, N.Y. 14625

Primary Examiner—Carmen H. Vales-Lado
Attorney, Agent, or Firm—Robert J. Bird

[**] Term: **14 Years**

[57] CLAIM

[21] Appl. No.: **29,734**

The ornamental design for a portable entertainment center, as shown and described.

[22] Filed: **Oct. 14, 1994**

[52] U.S. Cl. **D6/467**; D6/449; D6/466

DESCRIPTION

[58] **Field of Search** D6/396, 397, 407, D6/449, 466, 467; D14/224, 188, 173, 204, 175, 208; D3/201, 218; 108/106-108; 211/13, 131, 163, 133, 186-188

FIG. 1 is an exploded front perspective view of a portable entertainment center showing my new design; FIG. 2 is an exploded rear perspective view thereof; FIG. 3 is a bottom perspective view of the lower portion of the center, the upper portion removed for convenience of illustration; and,

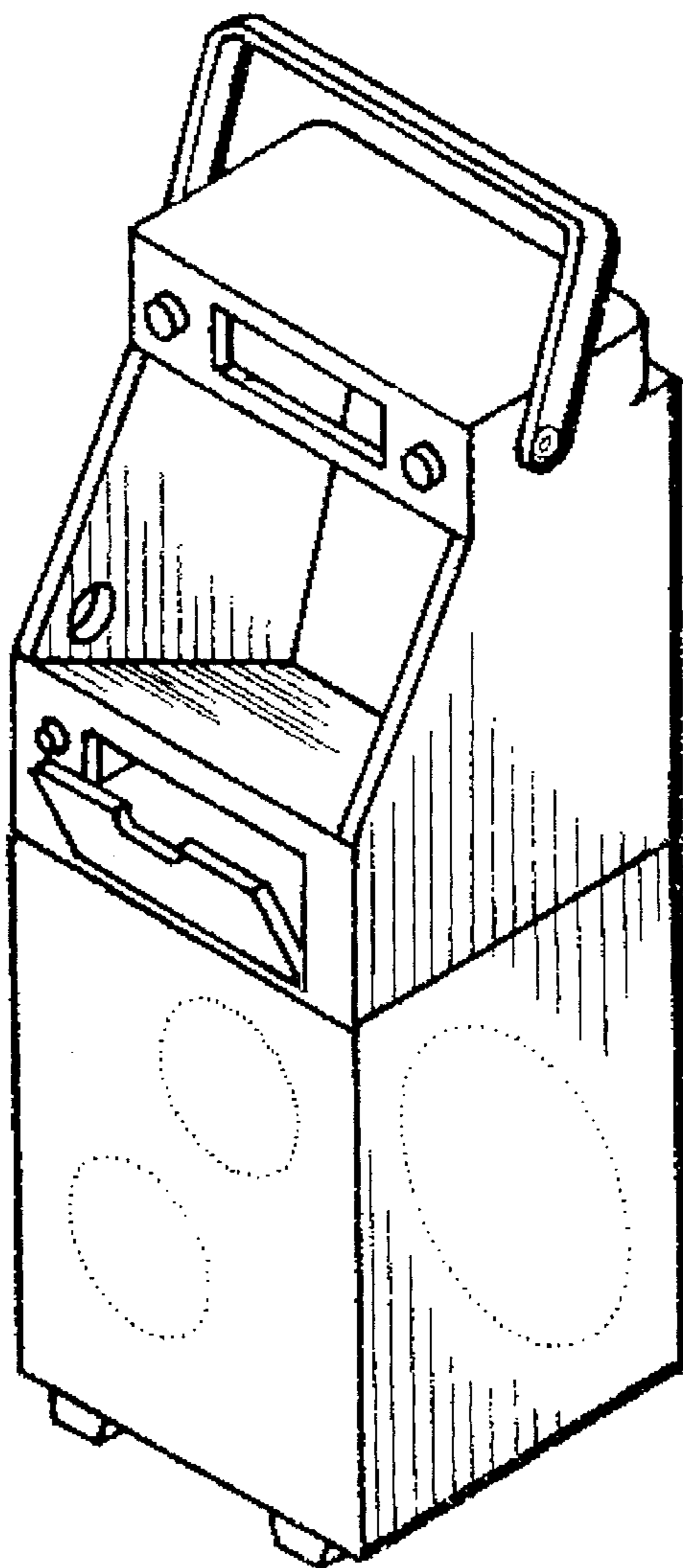
[56] References Cited

U.S. PATENT DOCUMENTS

FIG. 4 is a front perspective view thereof. The broken lines shown in the lower portion of the center in FIGS. 1, 3 and 4 represent scoring.

D. 55,045 5/1920 Howard D6/407
D. 77,491 1/1929 Martin D14/179
D. 209,325 11/1967 King D6/422
D. 280,684 9/1985 Cervero D6/422

1 Claim, 2 Drawing Sheets



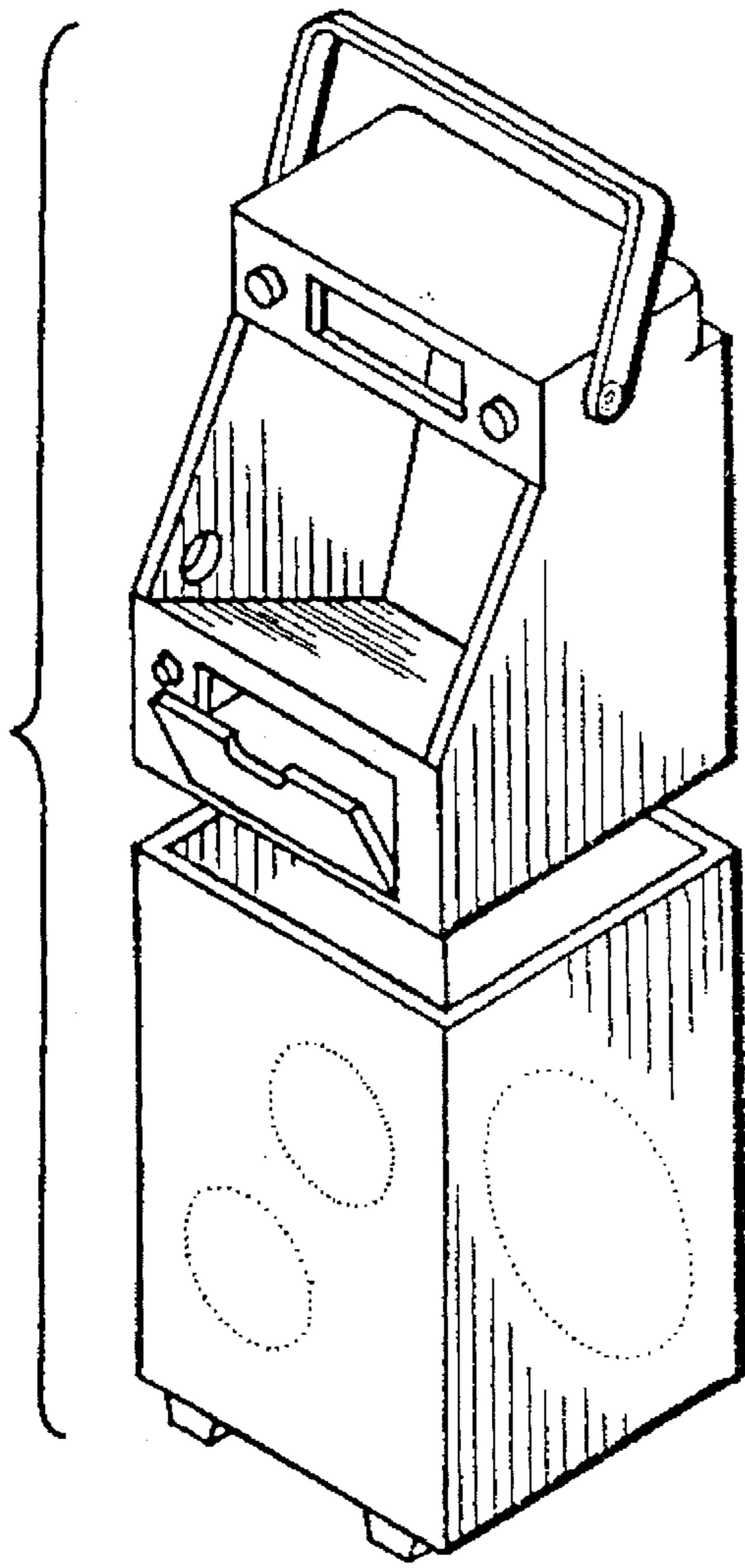


Fig. 1

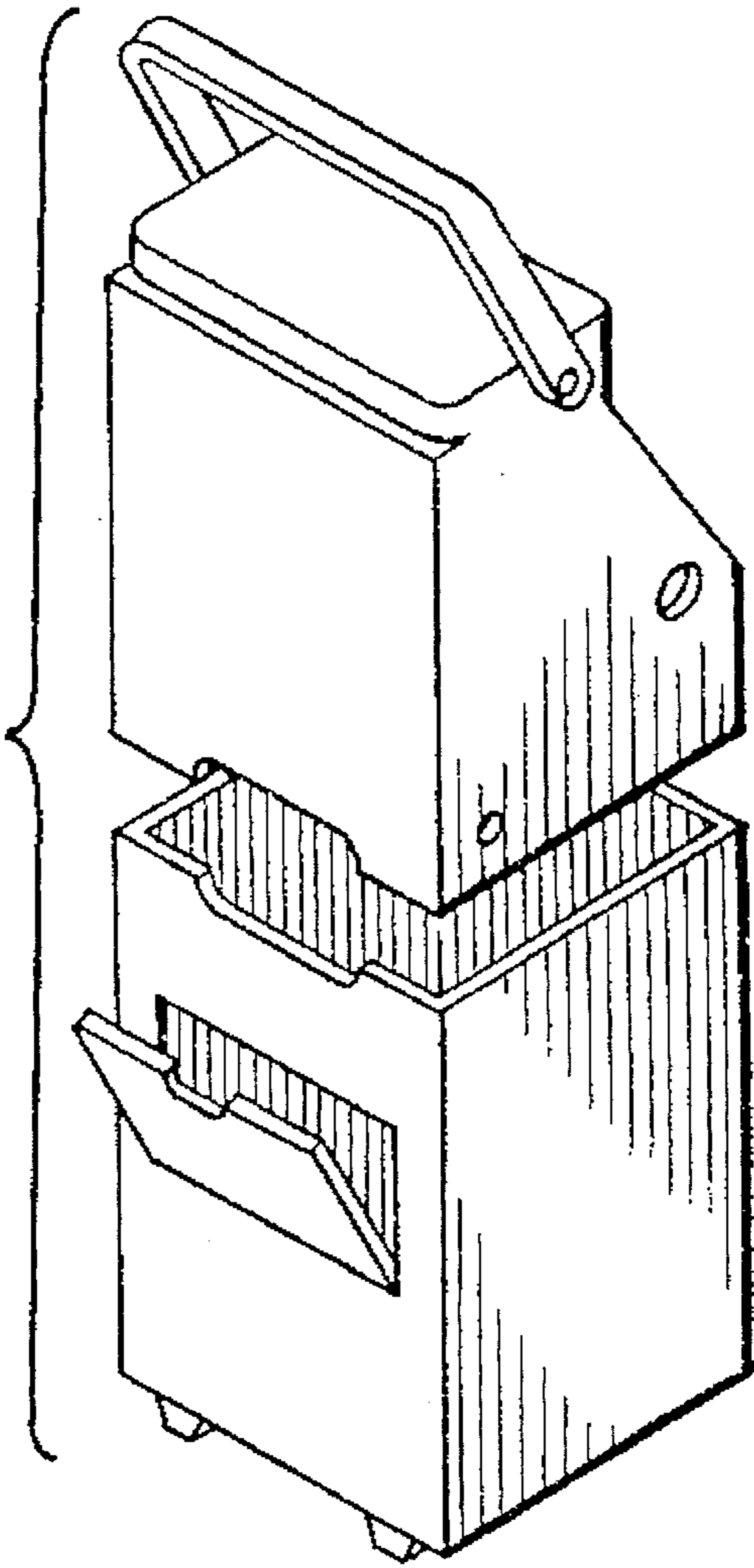


Fig. 2

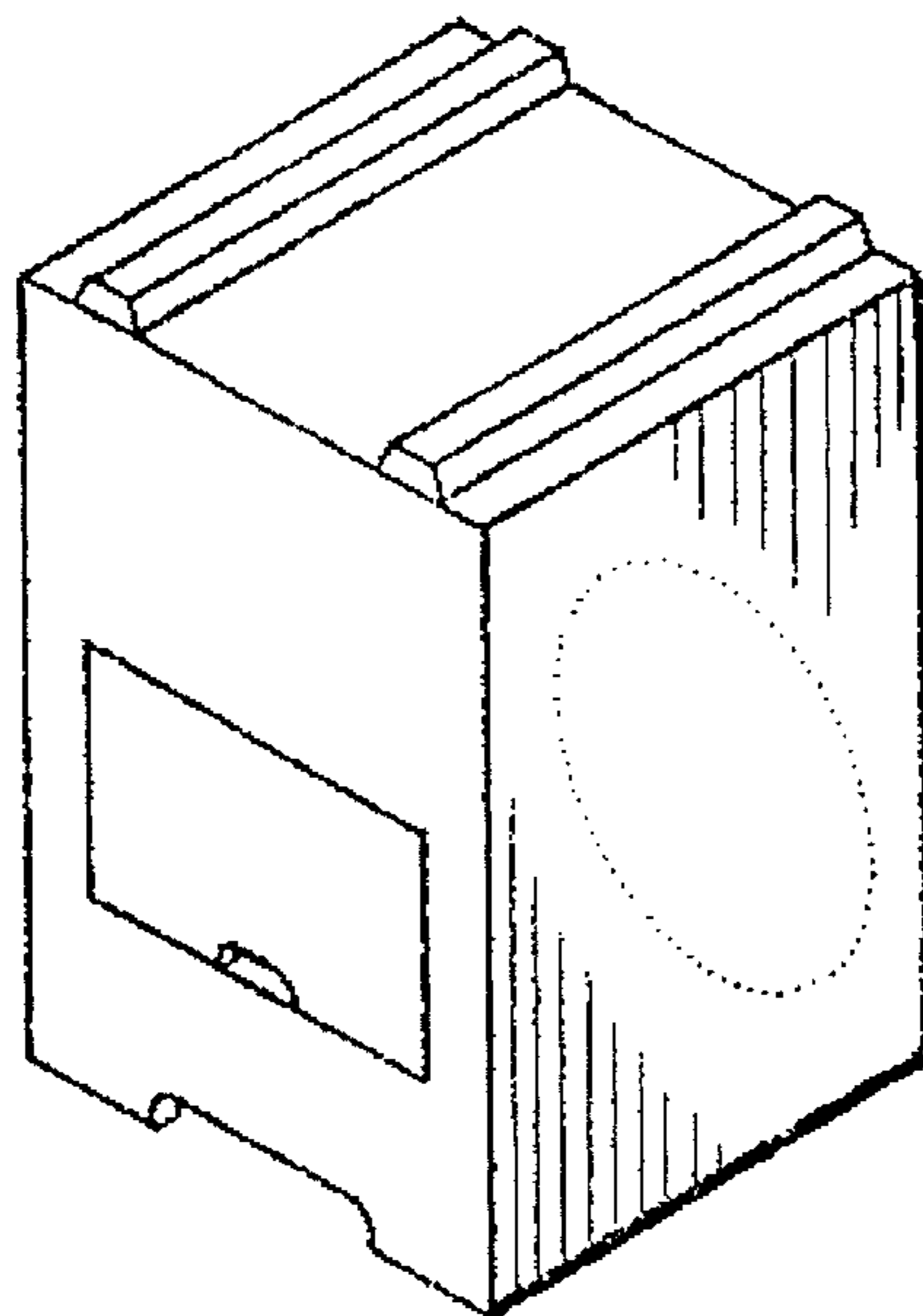


Fig. 3

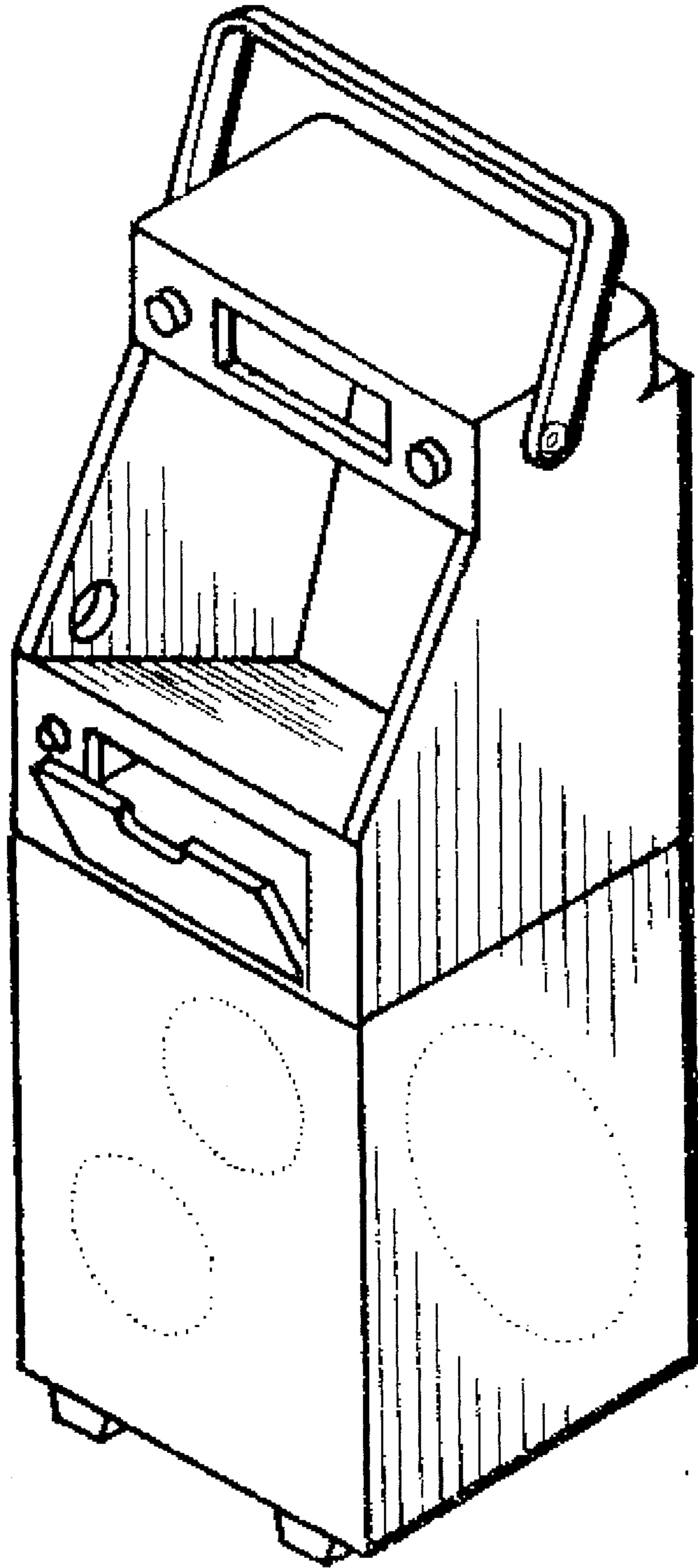


Fig. 4