



US00D372374S

United States Patent [19]

[11] Patent Number: **Des. 372,374**

Weterrings

[45] Date of Patent: ****Aug. 6, 1996**

[54] STORAGE DEVICE

5,230,551 7/1993 Kramer 312/204

[75] Inventor: **Frans M. Weterrings**, Tuscumbia, Ala.

OTHER PUBLICATIONS

[73] Assignee: **Robbins Industries, Inc.**, Florence, Ala.

"Packaging Parade", May 1948, p. 85, Bulk Merchandising Display (lower right corner).

[**] Term: **14 Years**

Primary Examiner—Alan P. Douglas

Assistant Examiner—S. Snapp

[21] Appl. No.: **23,625**

Attorney, Agent, or Firm—Curtis, Morris & Safford, P.C.; Gregor N. Neff

[22] Filed: **May 27, 1994**

[52] U.S. Cl. **D6/432**

[58] Field of Search D6/396, 397, 432-448, D6/449, 474; 312/330.1, 334.8, 128, 204, 235.1

[57] CLAIM

The ornamental design for a storage device, as shown and described.

[56] References Cited

DESCRIPTION

U.S. PATENT DOCUMENTS

D. 250,441	12/1978	Richman et al.	D6/474 X
D. 267,463	1/1983	Thompson	D6/397 X
D. 287,676	1/1987	Christen	D6/446
D. 313,519	1/1991	Block	D6/407 X
720,119	2/1903	Donnelly	D6/474 X
767,157	6/1901	Sparks	312/235.1 X
2,528,838	11/1950	Martino	D6/474 X
2,966,387	12/1960	Mills, Jr.	312/128 X
4,025,137	5/1977	Wyler .	

FIG. 1 is a perspective view showing the storage device of the present invention, with its drawer in place;

FIG. 2 is a perspective view of the drawer of the device shown in FIG. 1;

FIG. 3 is a bottom plan view of the storage device shown in FIG. 1, with the article oriented so that the front of the article is the left edge; and,

FIG. 4 is a rear elevation view of the storage device shown in FIG. 1.

1 Claim, 2 Drawing Sheets

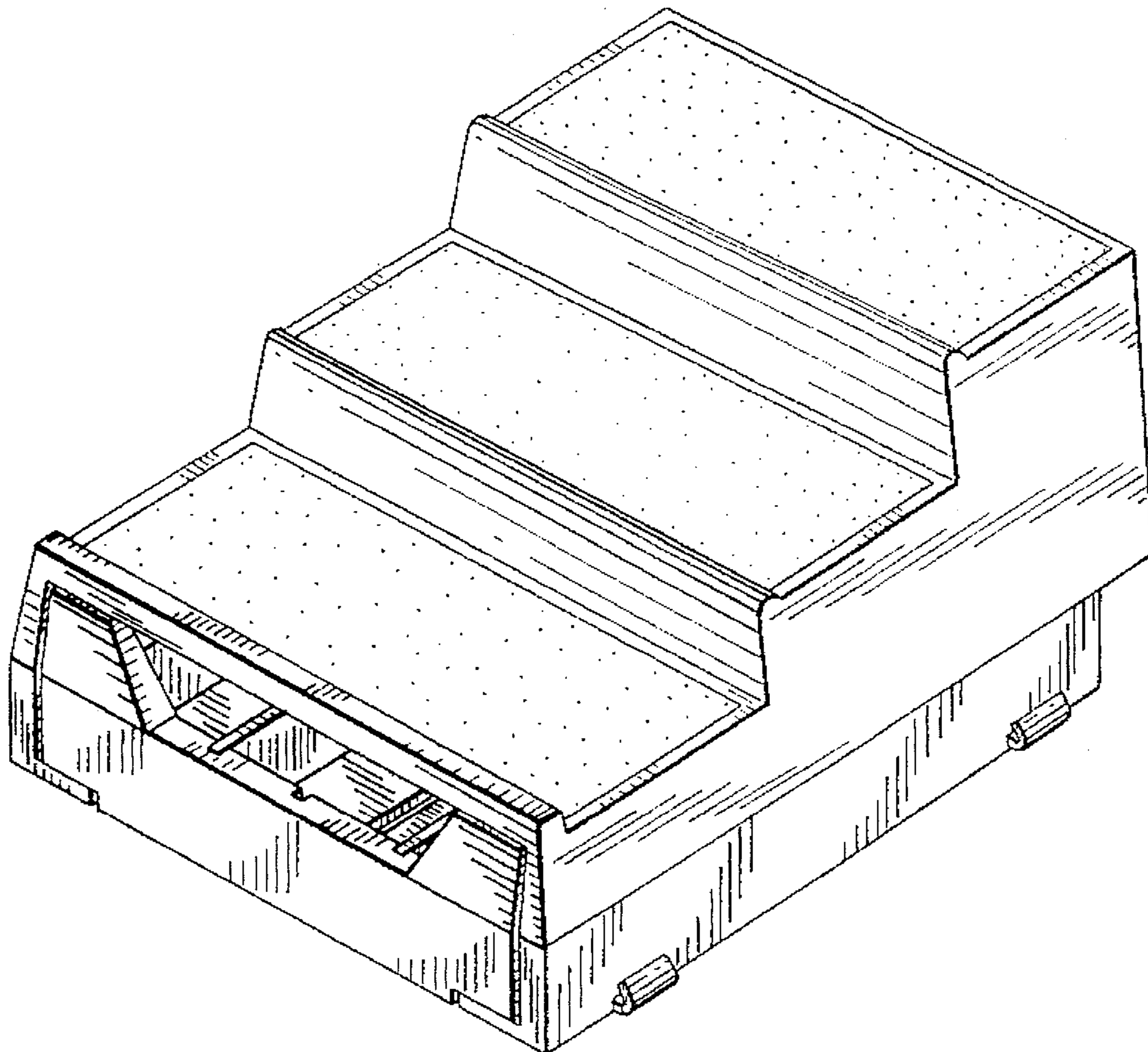


FIG. 1

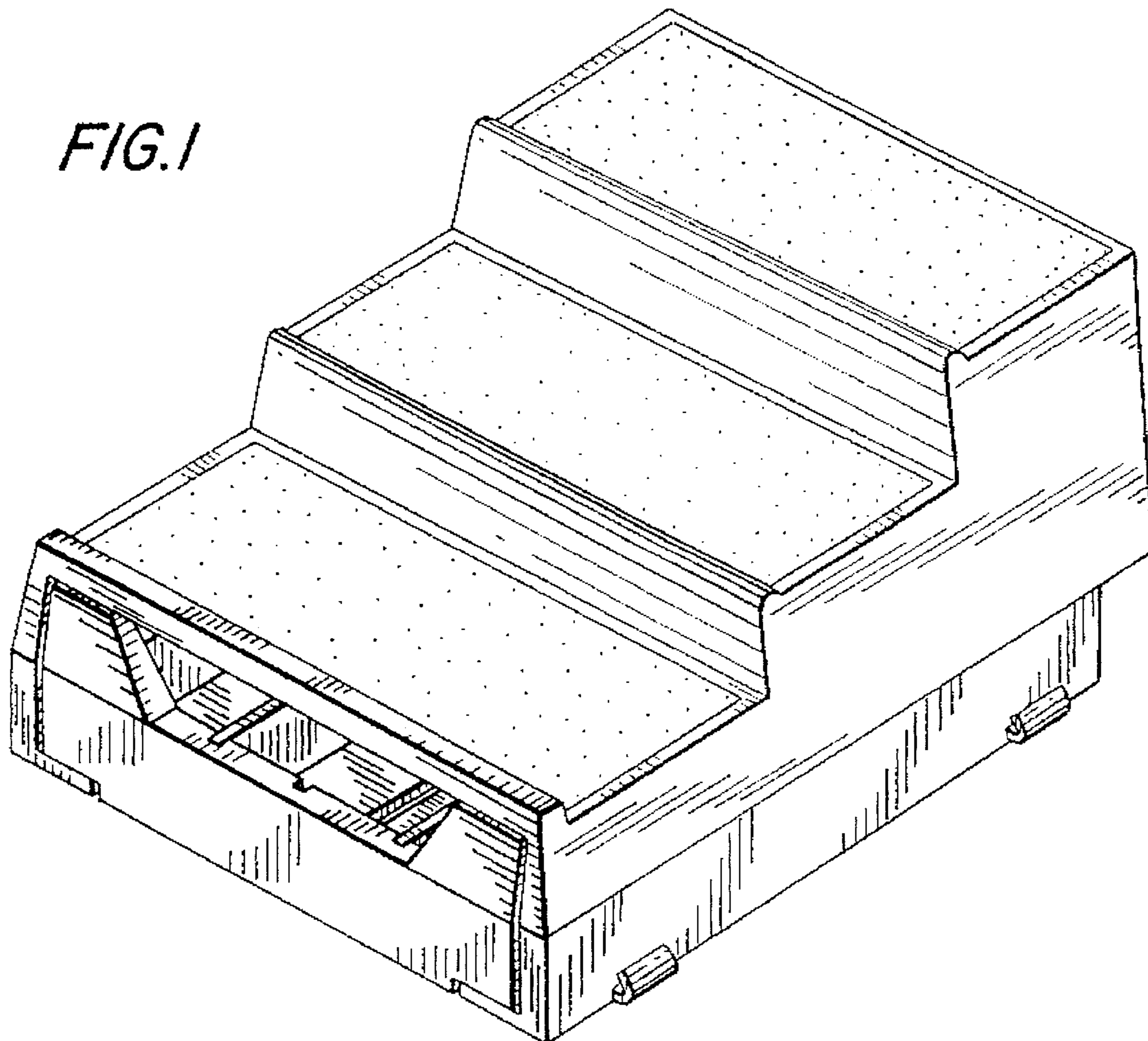


FIG. 2

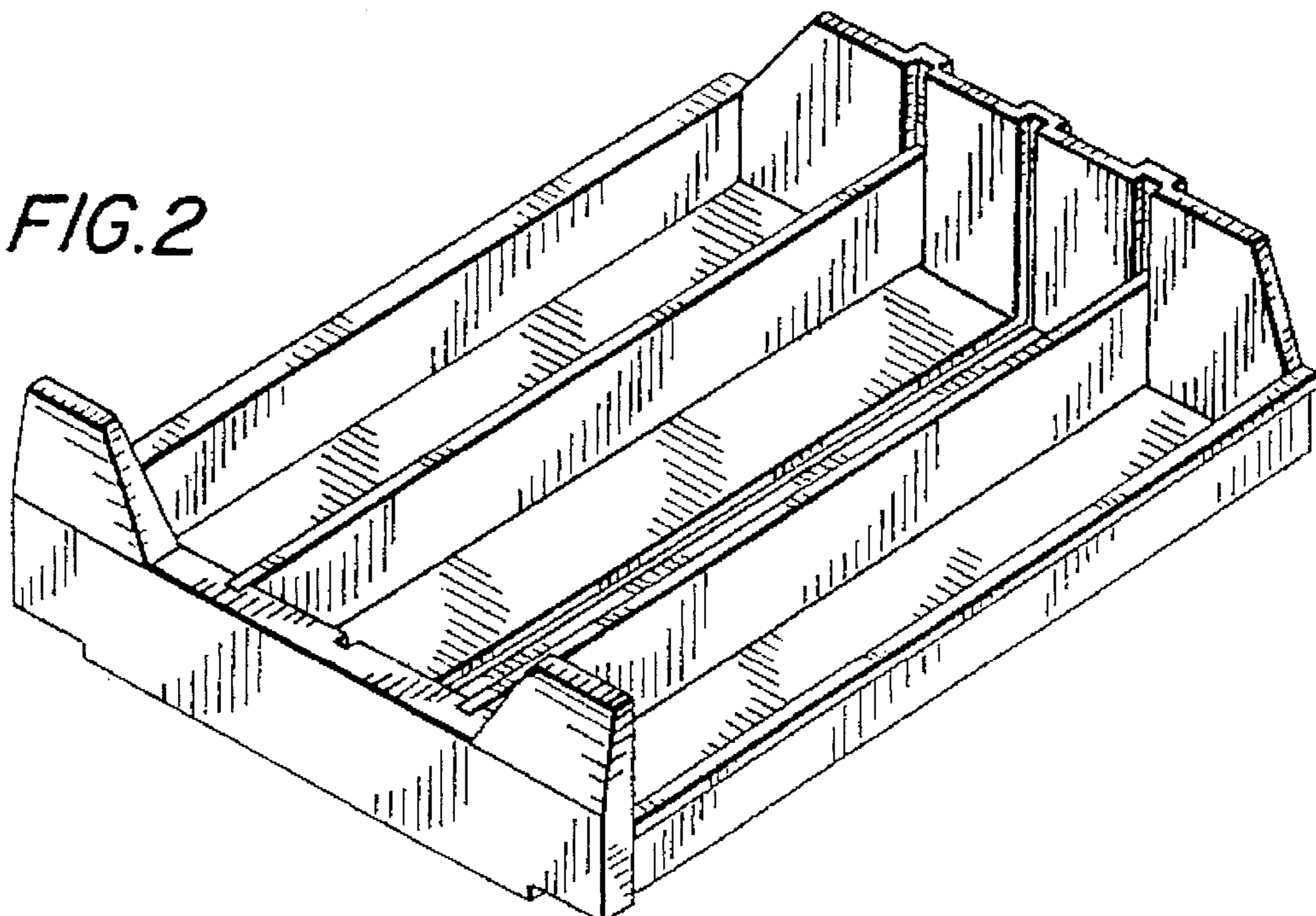


FIG. 3

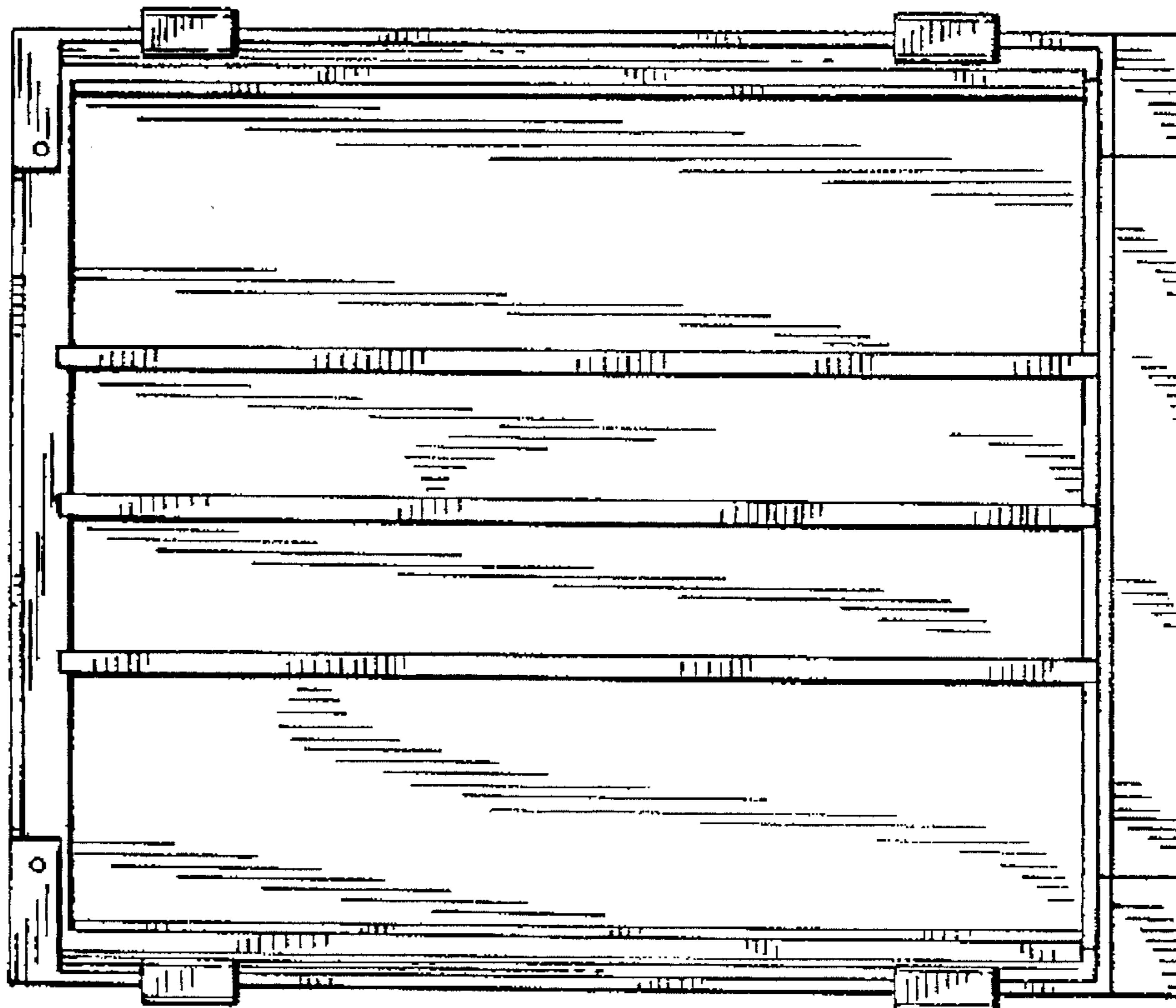


FIG. 4

