



US00D372371S

United States Patent [19]

Grove, Jr.

[11] Patent Number: **Des. 372,371**

[45] Date of Patent: ****Aug. 6, 1996**

[54] **READING STAND**

2,969,607 1/1961 Grumbacher 248/456
5,366,197 11/1994 Westland 248/456

[76] Inventor: **Donald H. Grove, Jr.**, 505 Schuyler Rd., Silver Spring, Md. 20910

Primary Examiner—Carmen H. Vales-Lado

[**] Term: **14 Years**

[57] CLAIM

[21] Appl. No.: **38,127**

The ornamental design for a reading stand, as shown and described.

[22] Filed: **Apr. 26, 1995**

DESCRIPTION

[52] U.S. Cl. **D6/419**; D6/312

[58] Field of Search D6/419, 420, 429-431, D6/310-314; D19/88, 90, 91; 248/441.1, 453, 454, 455, 456

FIG. 1 is a perspective view of a reading stand showing my new design;

FIG. 2 is a right side elevational view, the left side being a mirror image thereof;

FIG. 3 is a rear elevational view thereof;

FIG. 4 is a perspective view of a second embodiment of the reading stand shown in FIG. 1; the broken line showing of a book is for illustrative purposes only and forms no part of the claimed design; and,

FIG. 5 is a rear elevational view thereof.

[56] References Cited

U.S. PATENT DOCUMENTS

D. 358,271	5/1995	Leveen et al.	D6/419
D. 358,611	5/1995	Dainoff et al.	D19/88
544,948	8/1895	Beyer	248/453
1,245,206	11/1917	Drews	248/453
1,864,807	6/1932	Dahlgren	248/453
2,787,086	4/1957	Kraus	248/453

1 Claim, 1 Drawing Sheet

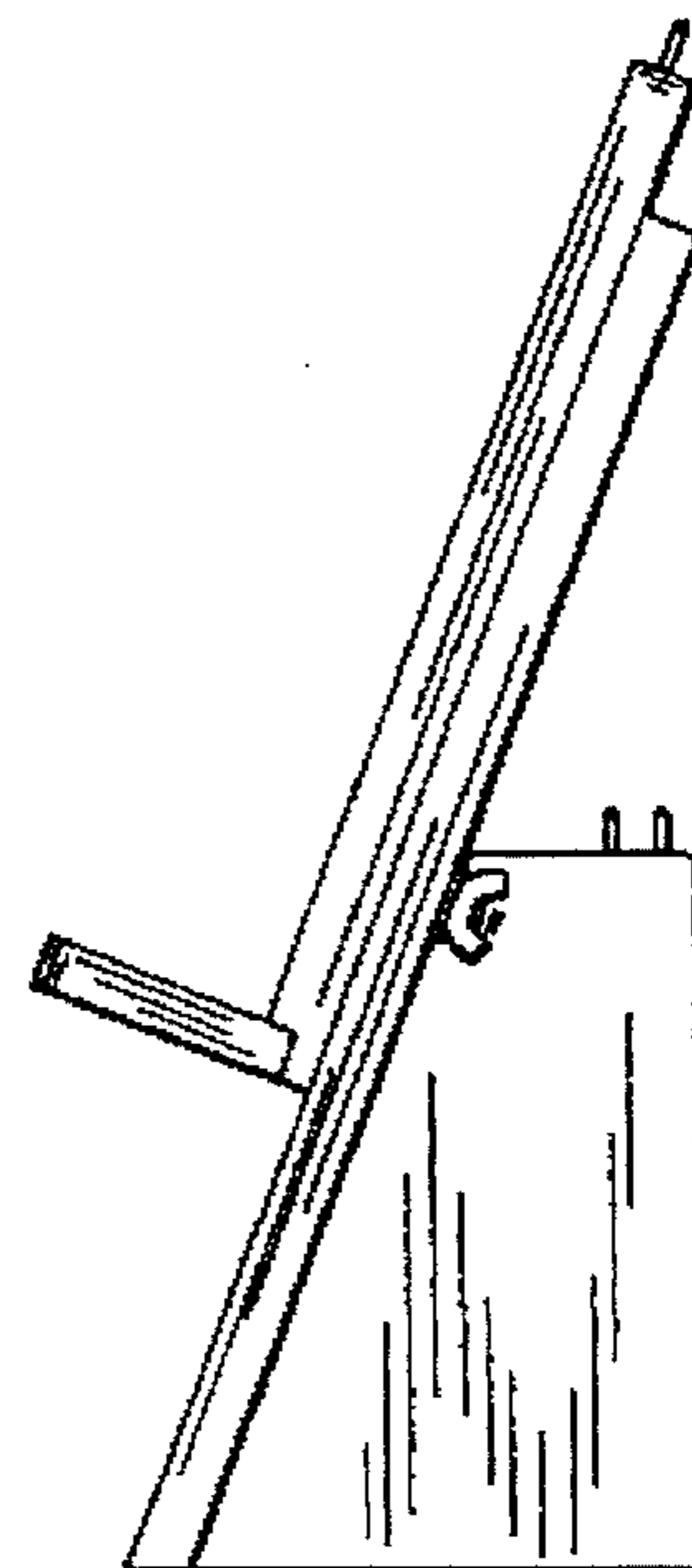
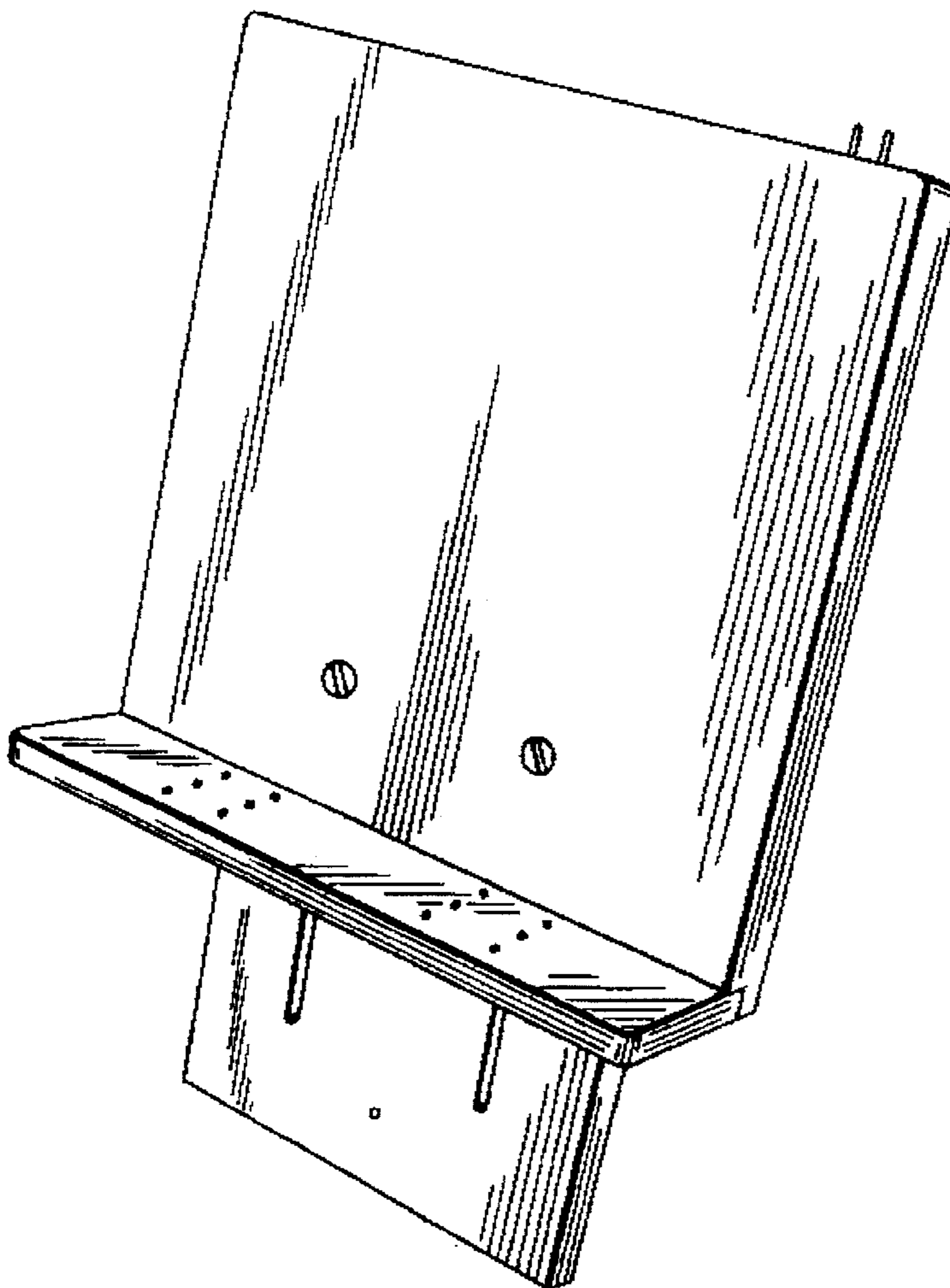


Fig.1

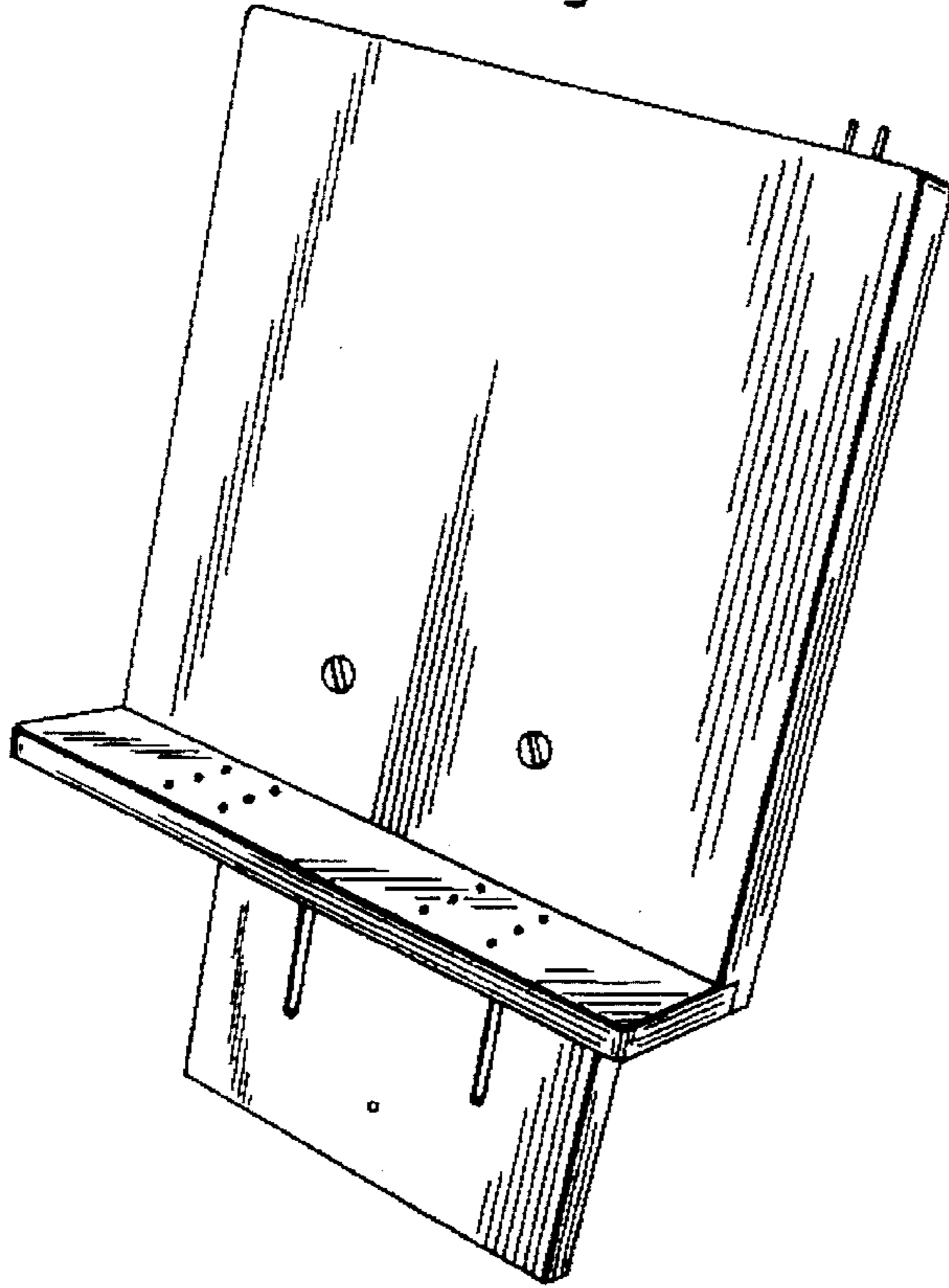


Fig.2

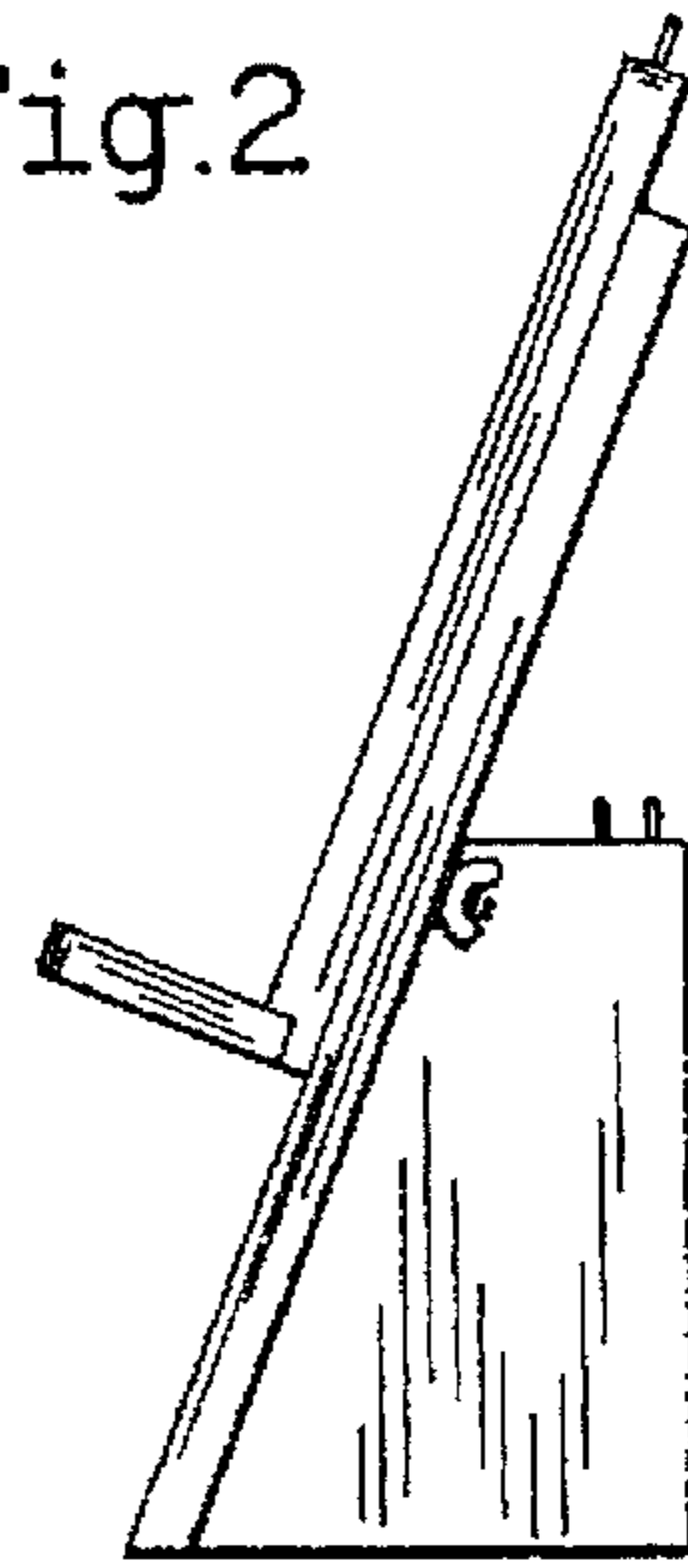


Fig.3

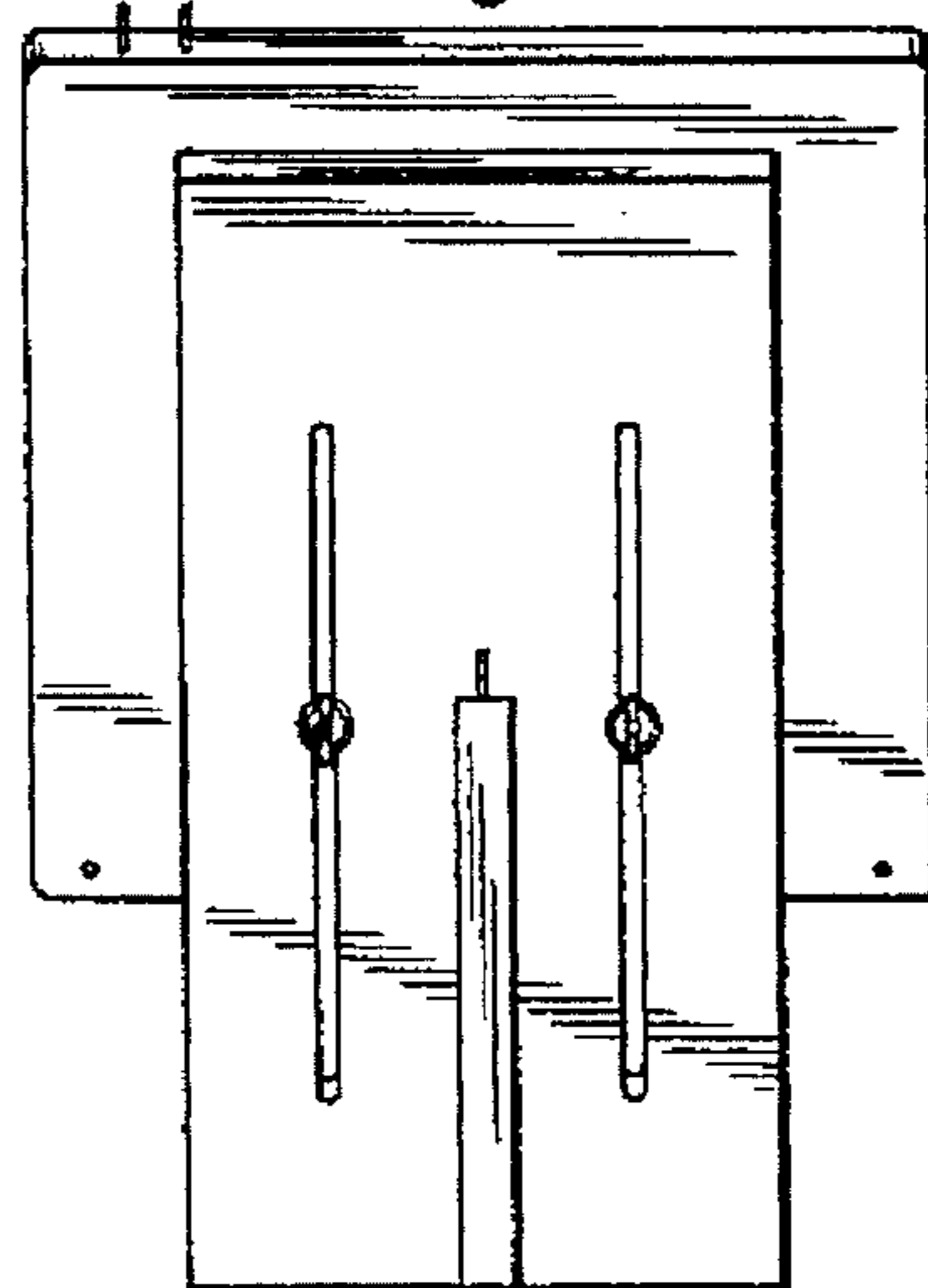


Fig.4

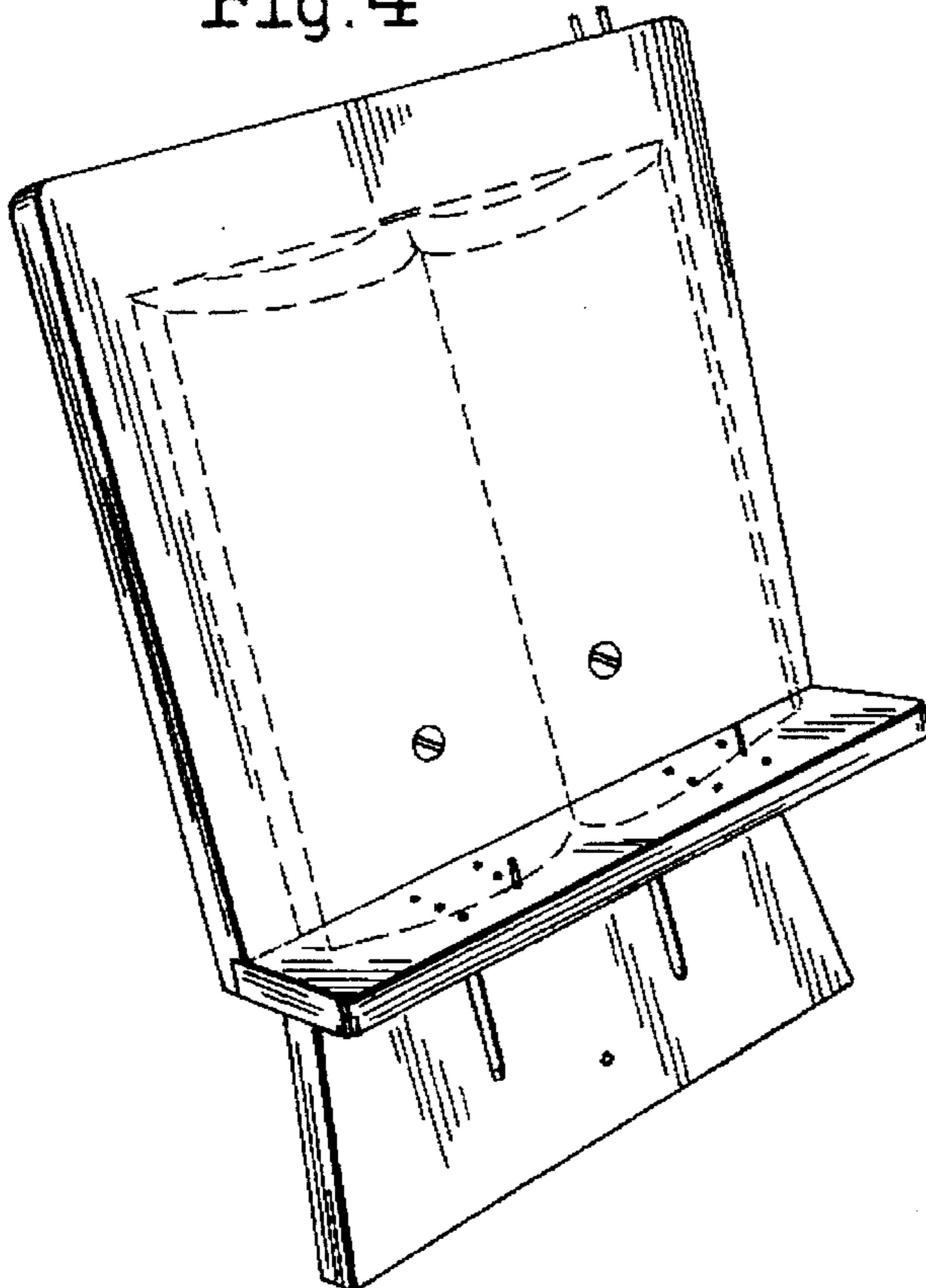


Fig.5

