



US00D372367S

United States Patent [19]

[11] Patent Number: **Des. 372,367**

Bonaddio et al.

[45] Date of Patent: ****Aug. 6, 1996**

[54] SEAT

[75] Inventors: **Vincenzo A. Bonaddio**, Rancho Santa Margarita; **Jose De Jesus Munoz Contreras**, Apple Valley, both of Calif.

[73] Assignee: **Foamex L.P.**, Linwood, Pa.

[**] Term: **14 Years**

[21] Appl. No.: **33,865**

[22] Filed: **Jan. 23, 1995**

[52] U.S. Cl. **D6/375; D6/334**

[58] Field of Search D6/334, 335, 336, D6/361, 364, 371, 373, 374, 375, 381, 500, 501, 502; D21/123; 297/232, 245

[56] **References Cited**

U.S. PATENT DOCUMENTS

D. 245,298	8/1977	Brahm	D6/334
D. 249,304	9/1978	Nash	D6/361
D. 252,486	7/1979	Petersilie	D6/381
D. 252,487	7/1979	Petersilie	D6/381
D. 274,576	7/1984	Tiffany	D6/335

D. 286,586	11/1986	Radford	D6/334
D. 335,035	4/1993	Floyd	D6/361
4,027,888	6/1977	Wilcox	D6/381 X
4,092,049	5/1978	Schoblom	D6/334 X

OTHER PUBLICATIONS

Interiors, Dec. 1969, p. 139, chaise at top left.

Primary Examiner—Gary D. Watson
Attorney, Agent, or Firm—Natan Epstein

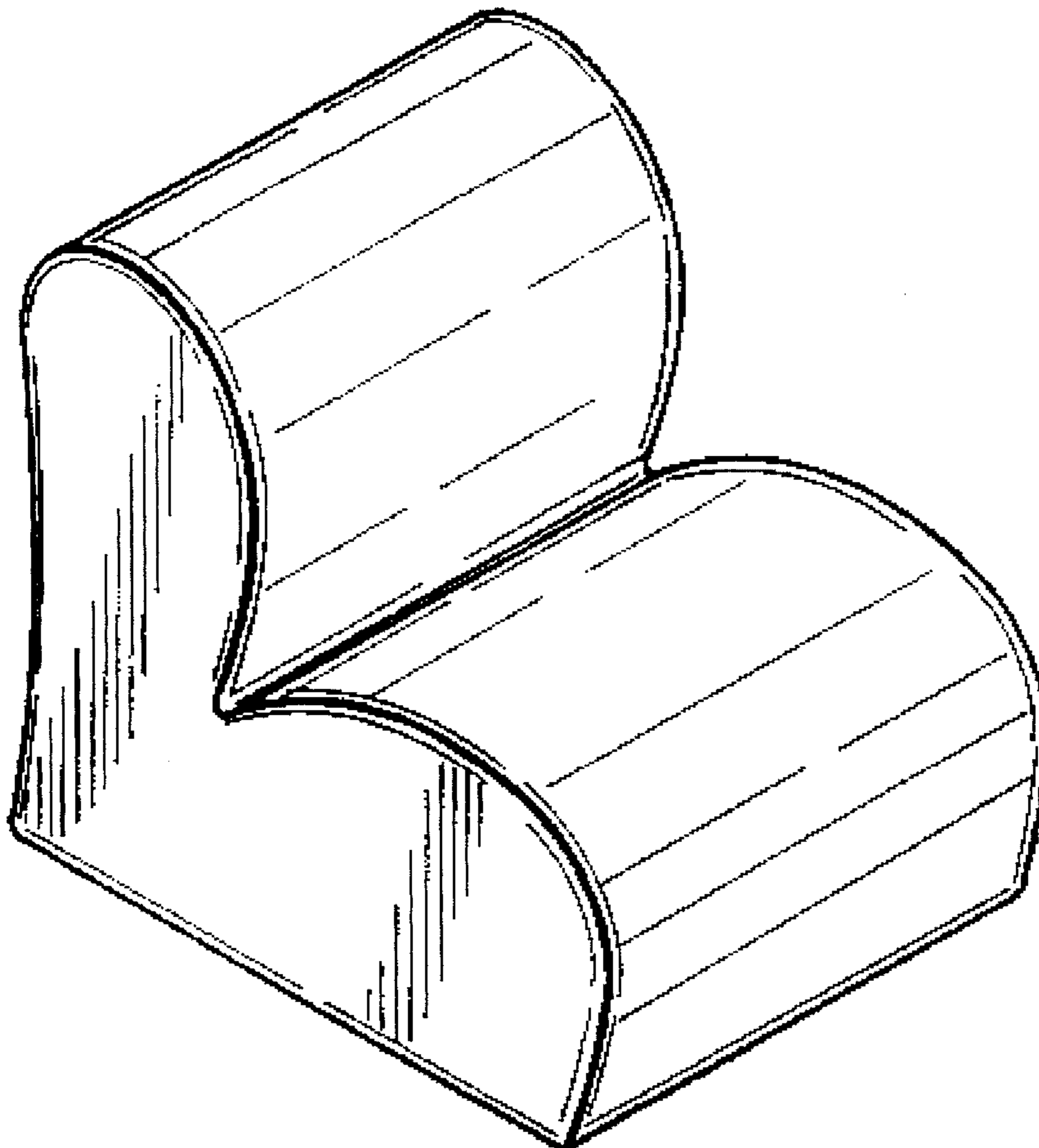
[57] **CLAIM**

The ornamental design for a seat, as shown and described.

DESCRIPTION

FIG. 1 is a front right perspective view of a seat, showing our new design;
FIG. 2 is a right side view thereof;
FIG. 3 is a front view thereof;
FIG. 4 is a top view thereof;
FIG. 5 is a left side view thereof;
FIG. 6 is a rear view thereof; and,
FIG. 7 is a bottom view thereof.

1 Claim, 1 Drawing Sheet



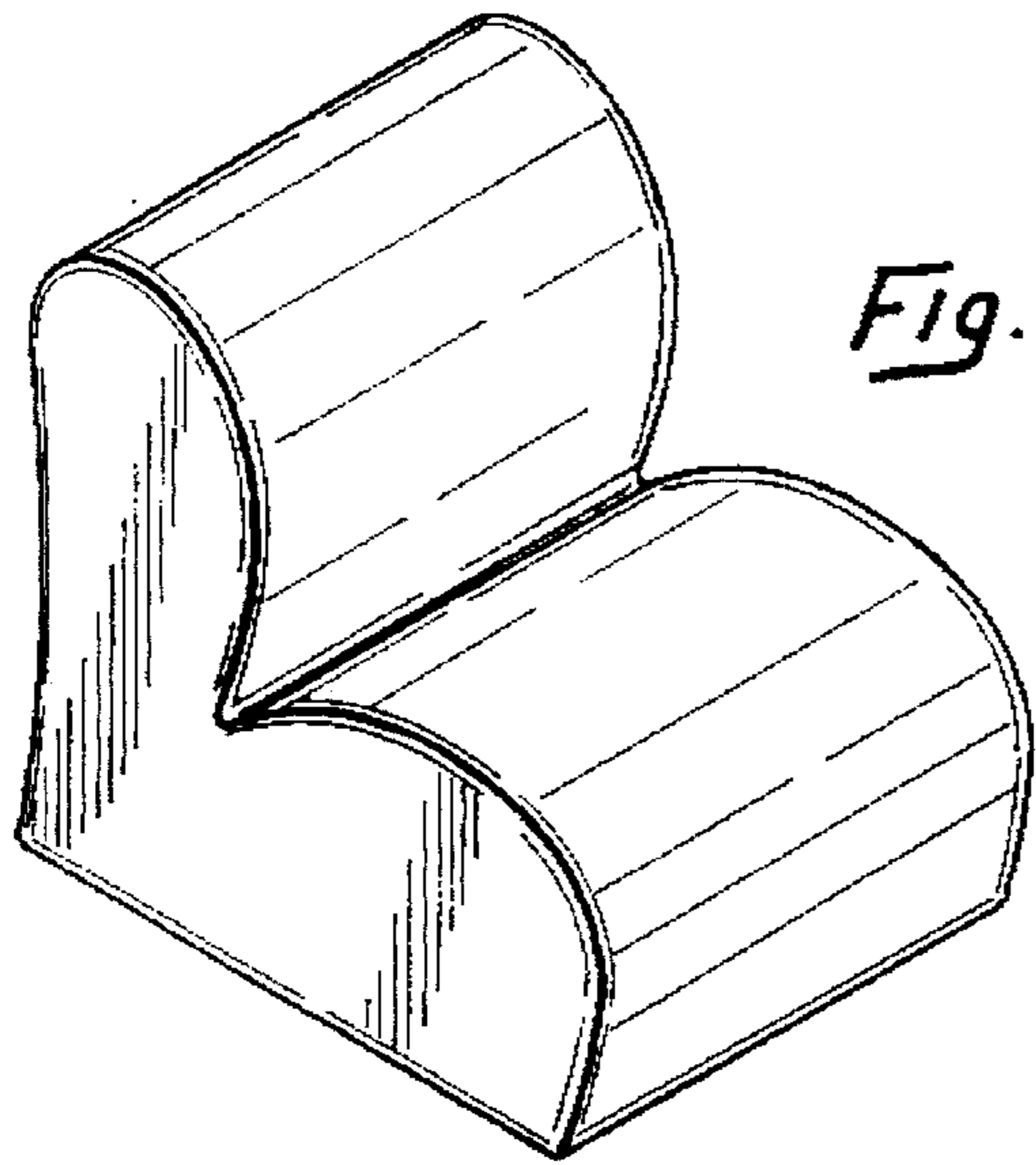


Fig. 1

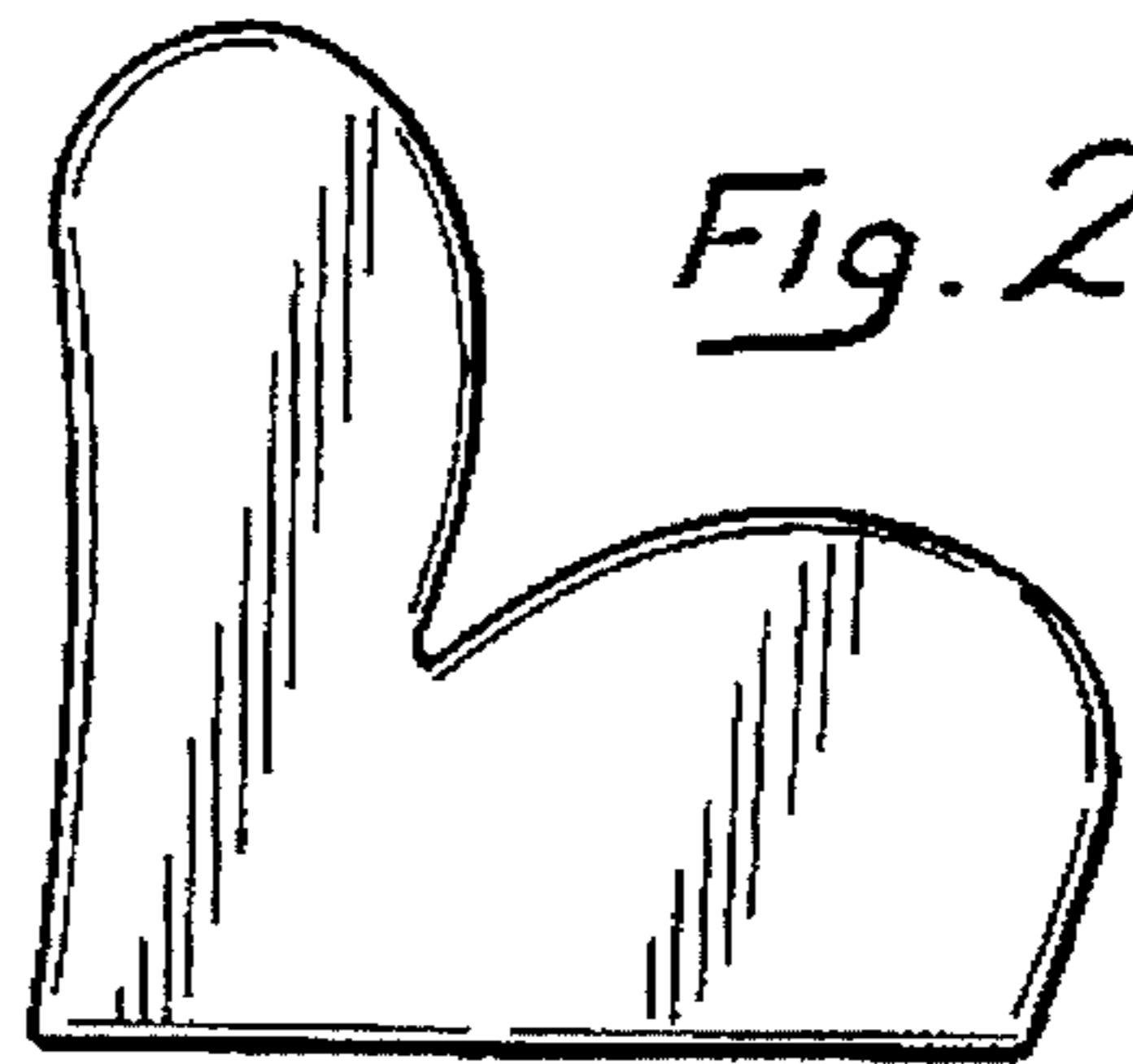


Fig. 2

Fig. 3

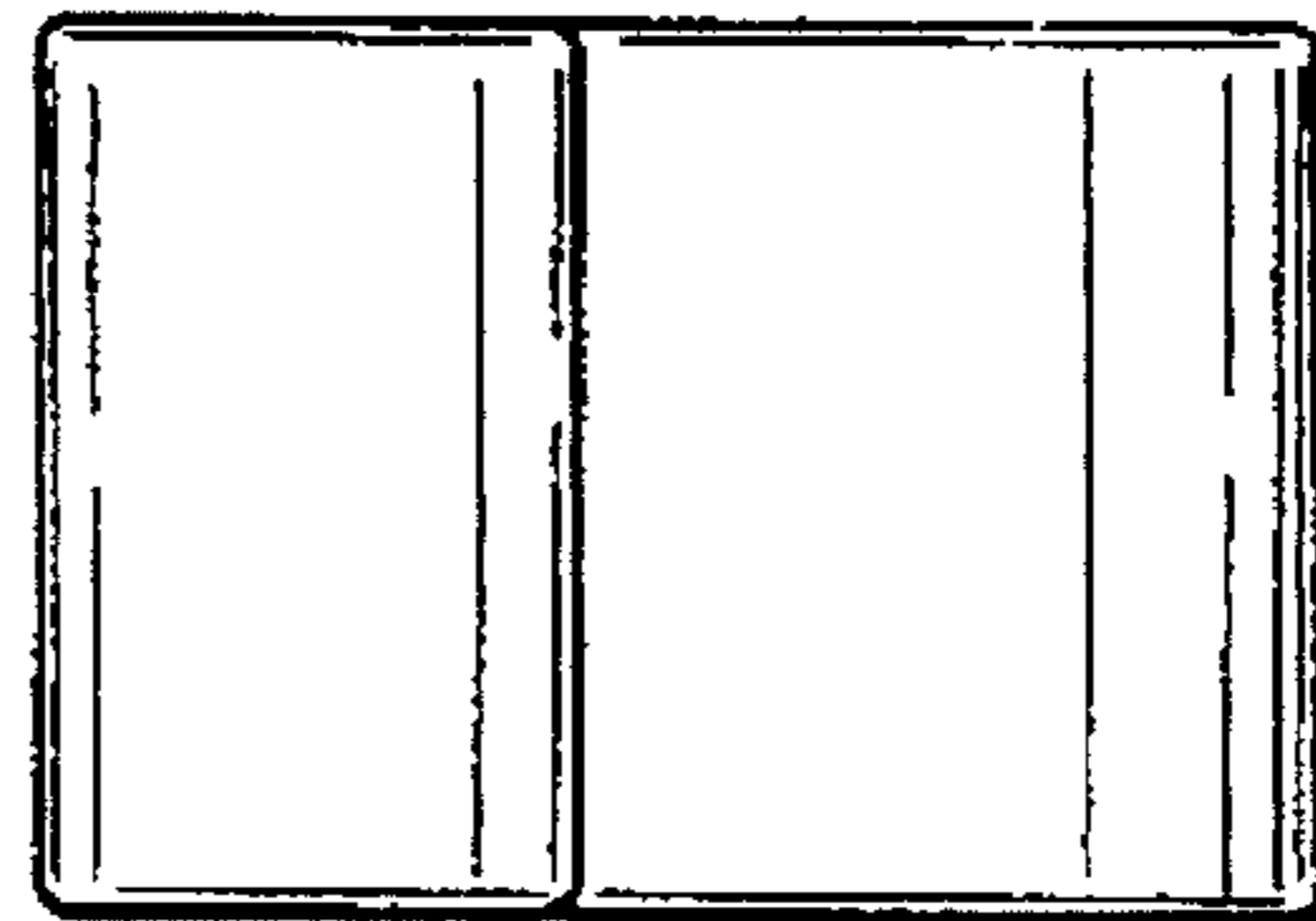
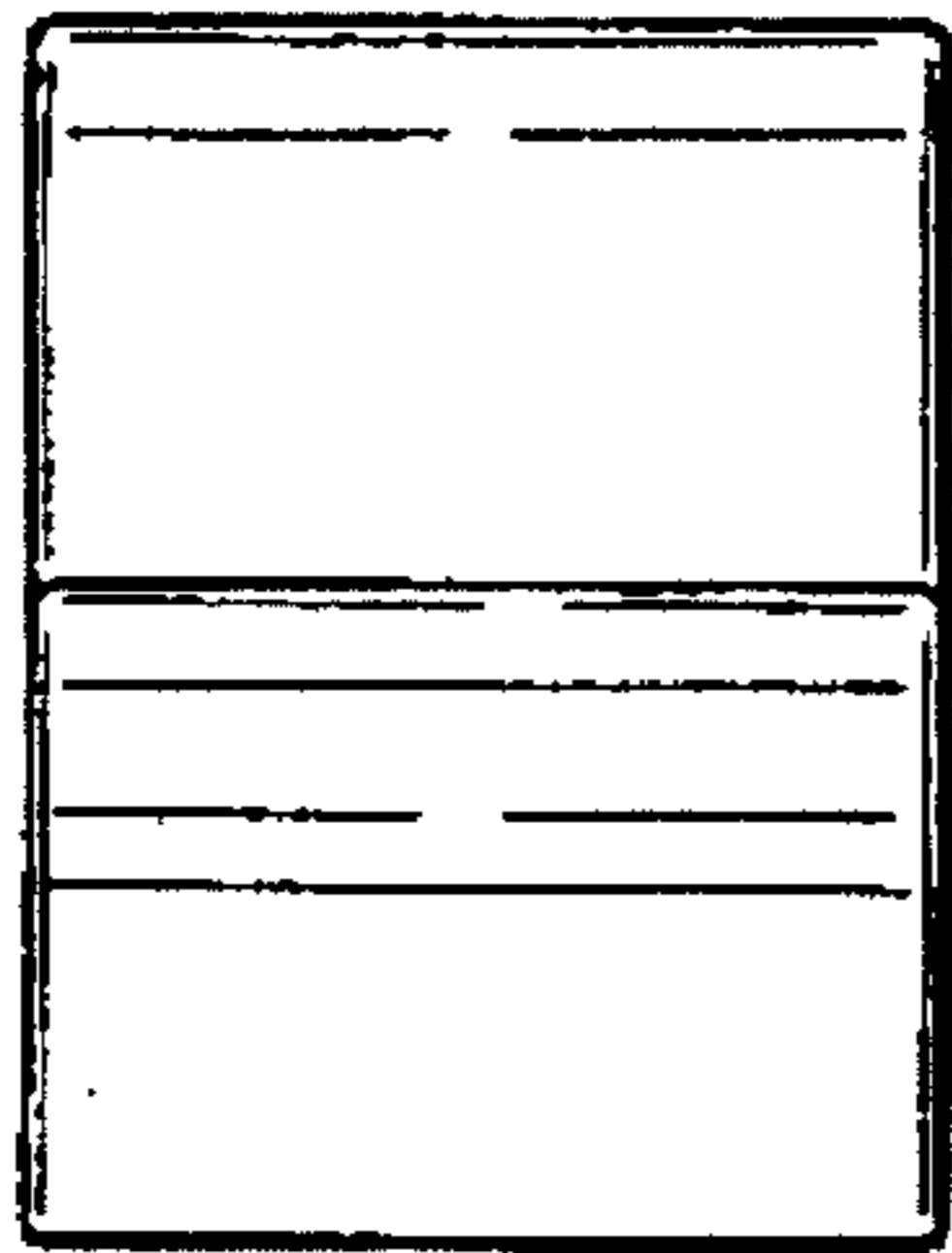


Fig. 4

Fig. 5

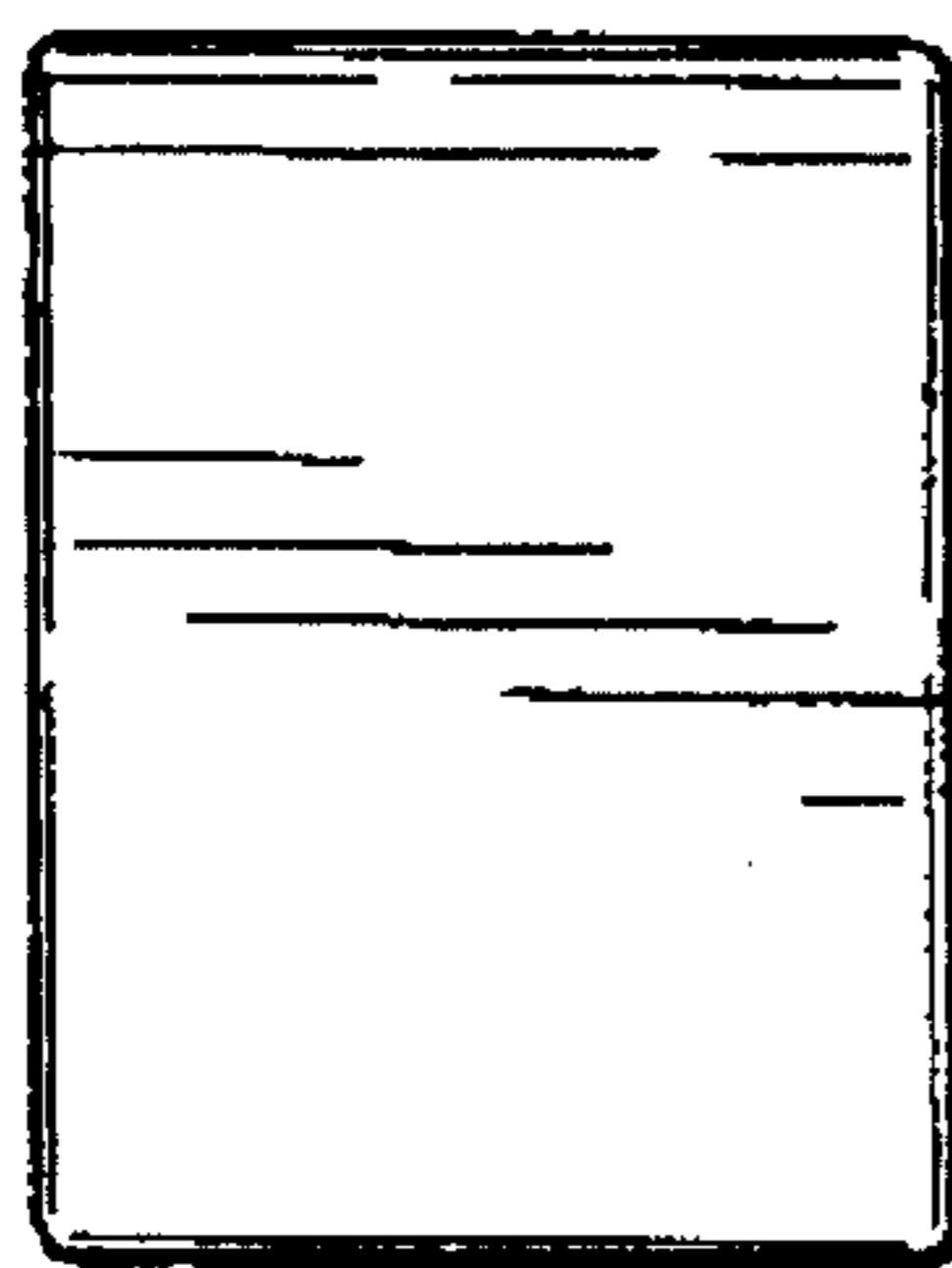
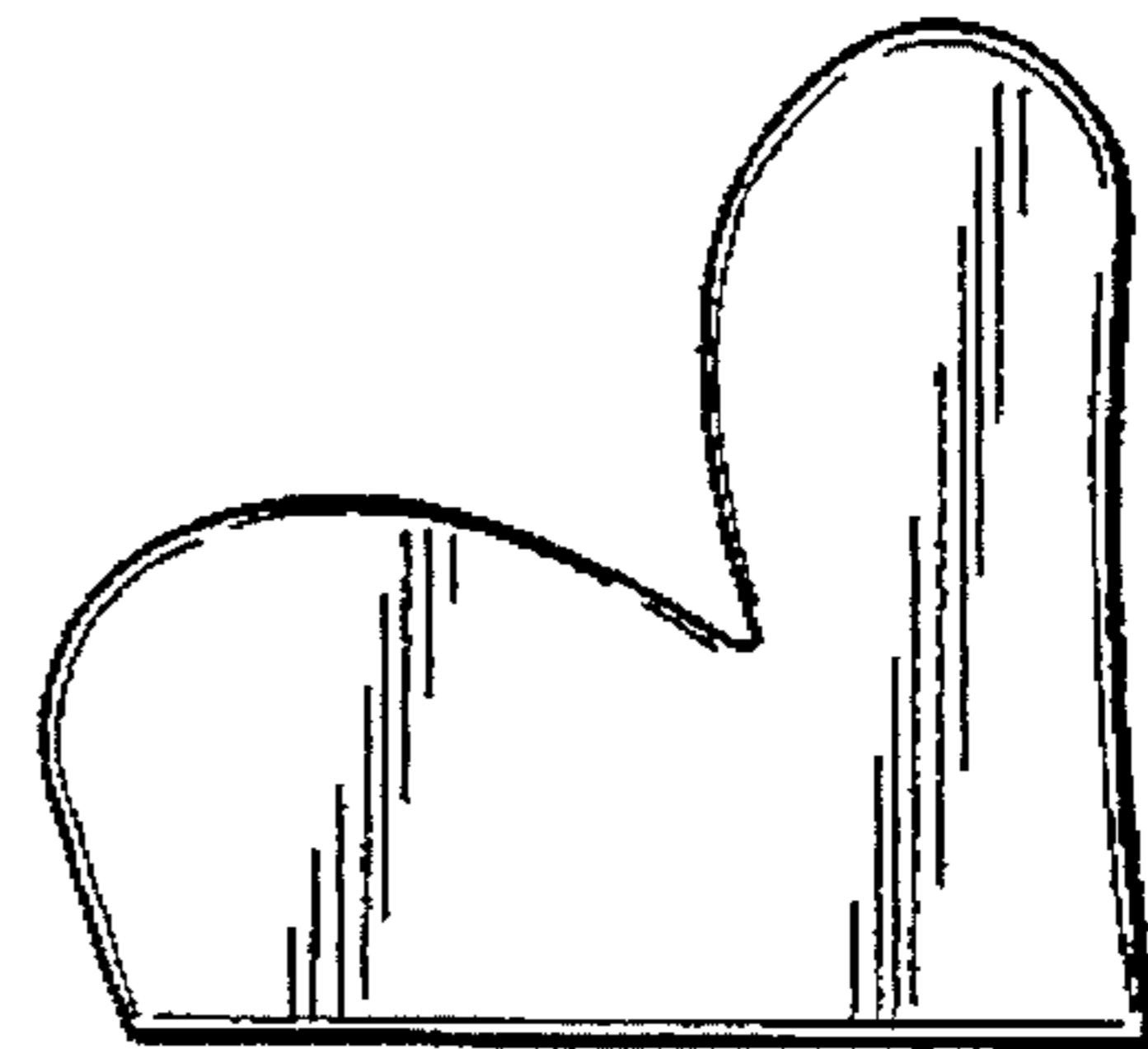


Fig. 6

Fig. 7

