



US00D372360S

United States Patent [19]

[11] Patent Number: **Des. 372,360**

Burns et al.

[45] Date of Patent: ****Aug. 6, 1996**

[54] **CONTAINER**

5,152,231	10/1992	Preston et al.	109/65
5,295,447	3/1994	Robbins et al.	100/65
5,377,514	1/1995	Robbins et al.	70/452

[75] Inventors: **Clay A. Burns**, Boston; **Paul C. Sabin**, Milton, both of Mass.; **Victor Y. Cheung**, Chicago, Ill.; **Clifford S. Lansil**, Woburn, Mass.

FOREIGN PATENT DOCUMENTS

[73] Assignee: **BRK Brands, Inc.**, Aurora, Ill.

PCT/US92/
00355 8/1992 European Pat. Off. .

[**] Term: **14 Years**

OTHER PUBLICATIONS

[21] Appl. No.: **42,079**

Sentry Group brochure entitled "Fire Protection For Home Or Office" dated 1993.

[22] Filed: **Jul. 31, 1995**

Sentry Group brochure (Spanish language) entitled "Proteccion contra incendios para el hogar y la oficina", dated 1992.

[52] U.S. Cl. **D3/273; D3/294; D99/28; D7/605**

Sentry Group brochure entitled "There's a New Sentry on Duty" undated.

[58] Field of Search **D3/294, 282, 273; D99/28; D7/605; 109/65, 75, 45, 48; D9/424, 425; 206/372, 373, 315.11, 315.1; 220/331, 334**

Primary Examiner—Ted Shooman
Assistant Examiner—Philip Hyder
Attorney, Agent, or Firm—Dressler, Goldsmith, Shore & Milnamow, Ltd.

[56] **References Cited**

U.S. PATENT DOCUMENTS

D. 196,945	11/1963	Tibbets	D7/605
D. 237,135	10/1975	Wiant	D7/605
D. 252,605	8/1979	Corini	D7/605
D. 257,934	1/1981	Buss	D7/605
D. 268,063	2/1983	Chase	D99/28
D. 274,858	7/1984	Brush et al.	D99/28
D. 289,582	5/1987	Brush, Jr. et al.	D3/72
D. 302,491	8/1989	Brush, Jr. et al.	D3/30.1
D. 313,817	1/1991	Thomas	D3/294
D. 321,091	10/1991	Dickinson	D3/294
D. 325,323	4/1992	Kahl	D7/605
D. 326,391	5/1992	Verchere	D7/605
D. 329,747	9/1992	Embree	D3/294
D. 352,208	11/1994	Brookshire	D7/605
4,048,926	9/1977	Brush et al.	109/65
4,422,386	12/1983	Carpenter	109/59 R
4,541,545	9/1985	Beattie et al.	220/431
5,069,358	12/1991	Avery, Jr.	220/426

[57] **CLAIM**

The ornamental design for a container, as shown and described.

DESCRIPTION

FIG. 1 is a perspective view of a container embodying the new design;
FIG. 2 is a top view of the container;
FIG. 3 is a front view of the container;
FIG. 4 is a rear view of the container; and,
FIG. 5 is a side view of the container as viewed from the right hand side of FIG. 1, the opposite side being a mirror image thereof.
The bottom of the container forms no part of the claimed design.

1 Claim, 4 Drawing Sheets

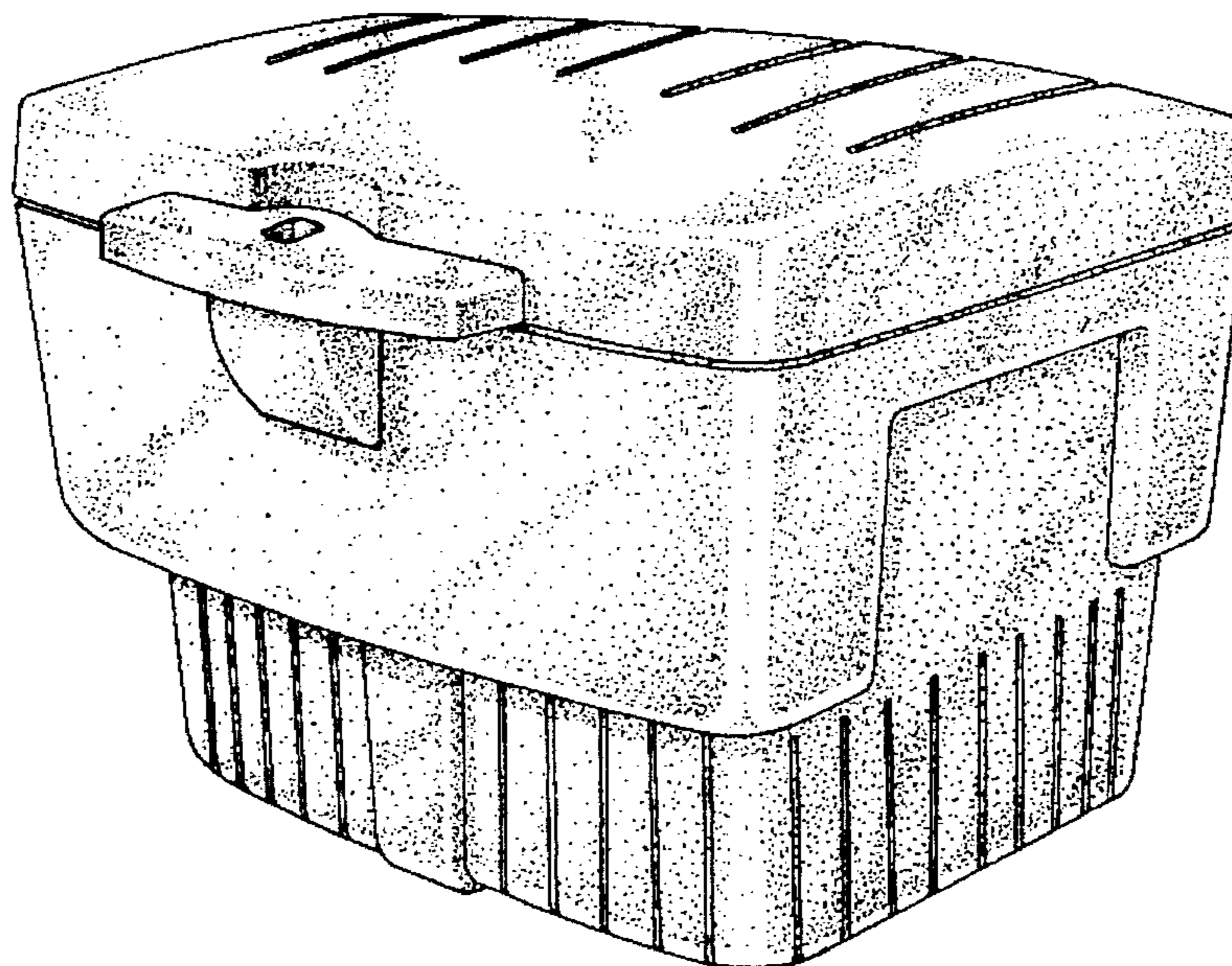
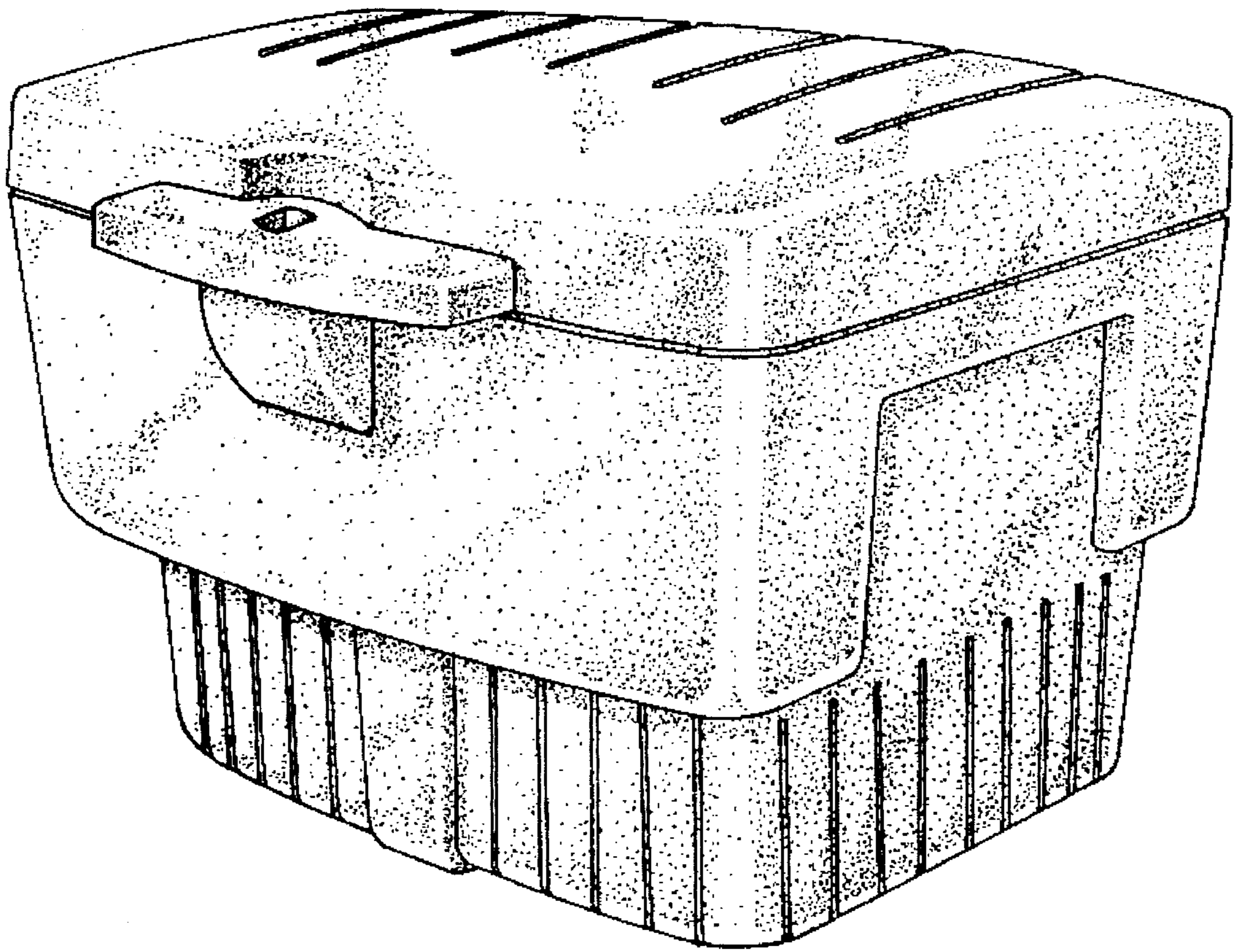


FIG. 1



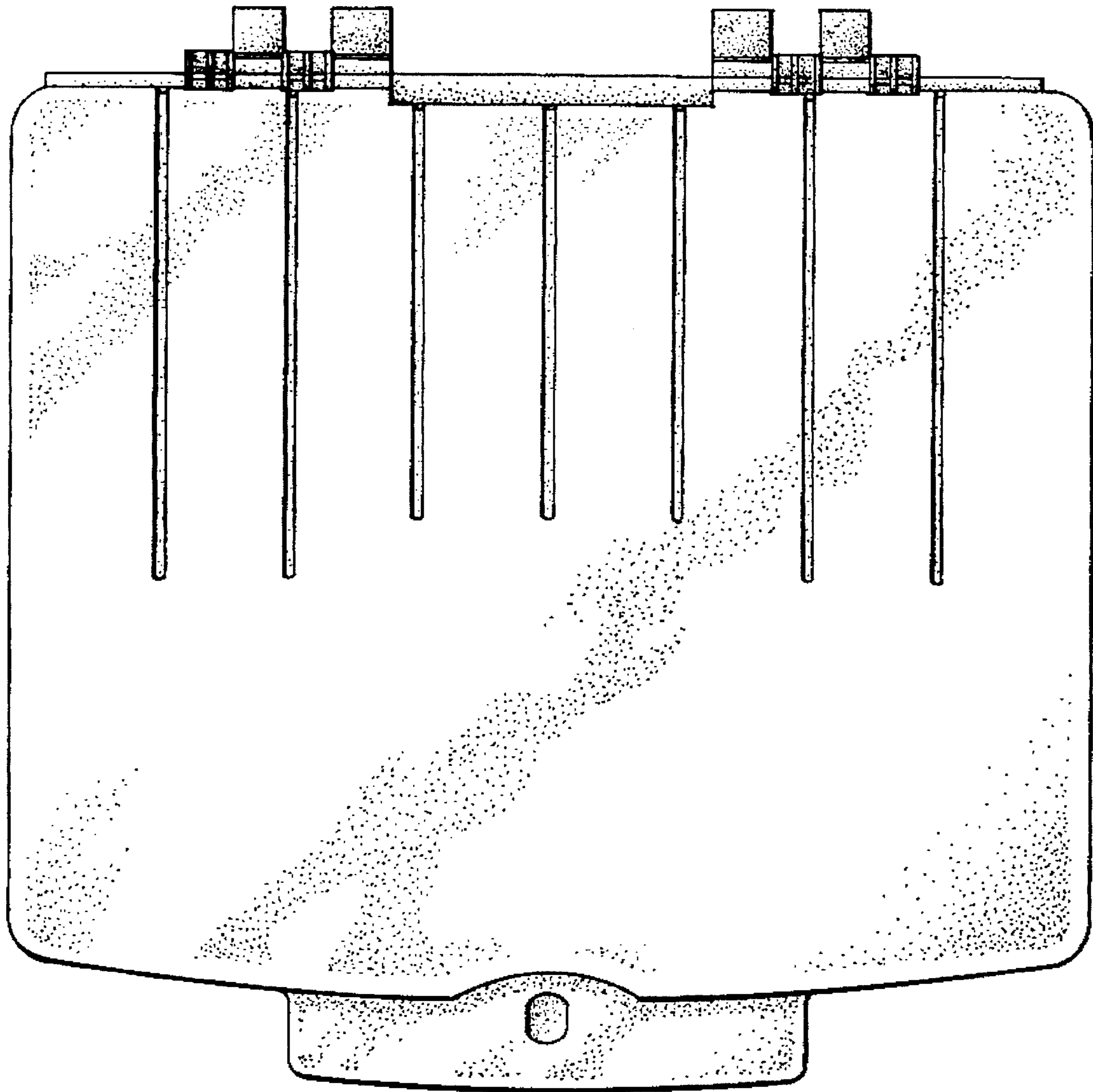


FIG. 2

FIG. 3

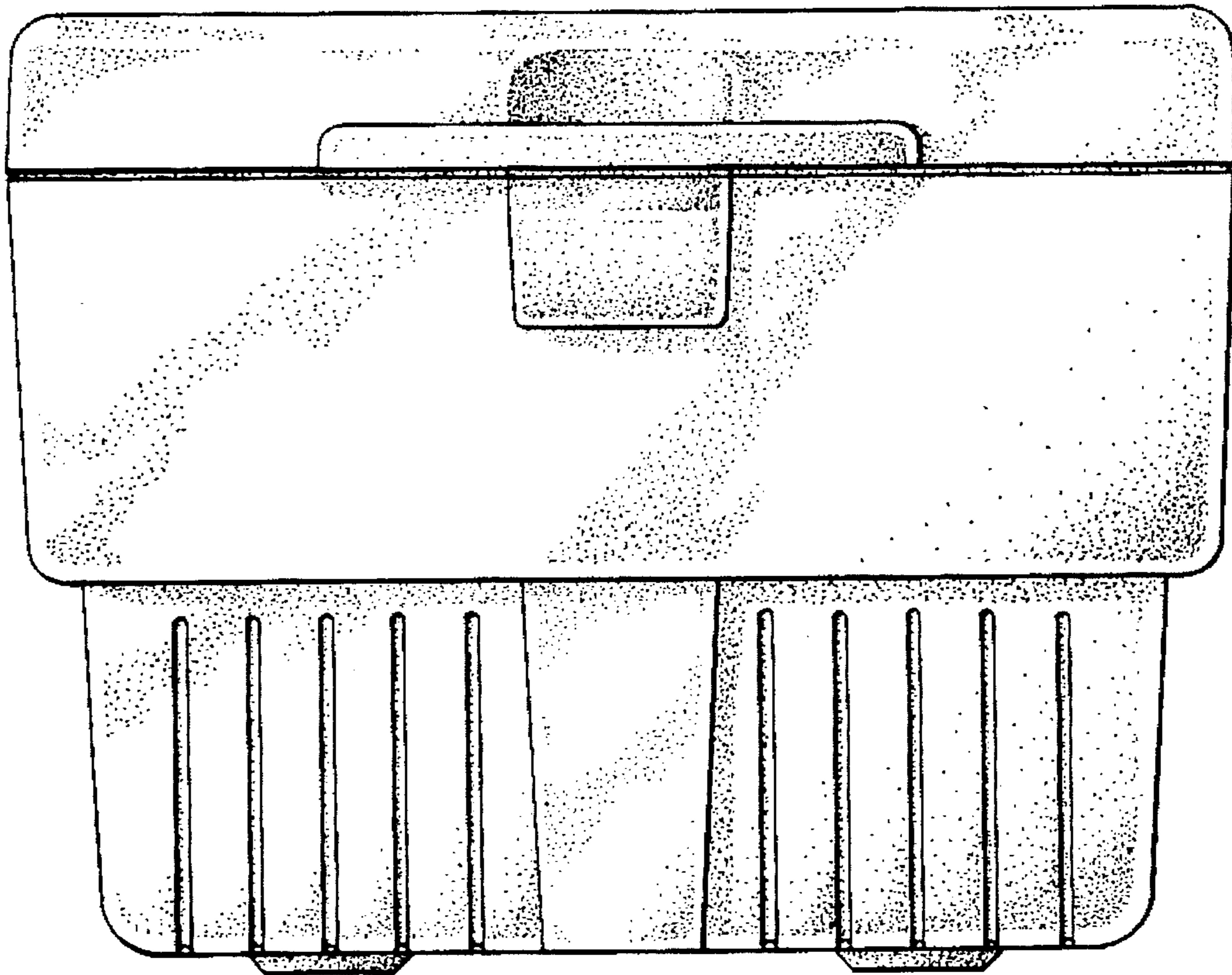


FIG. 4

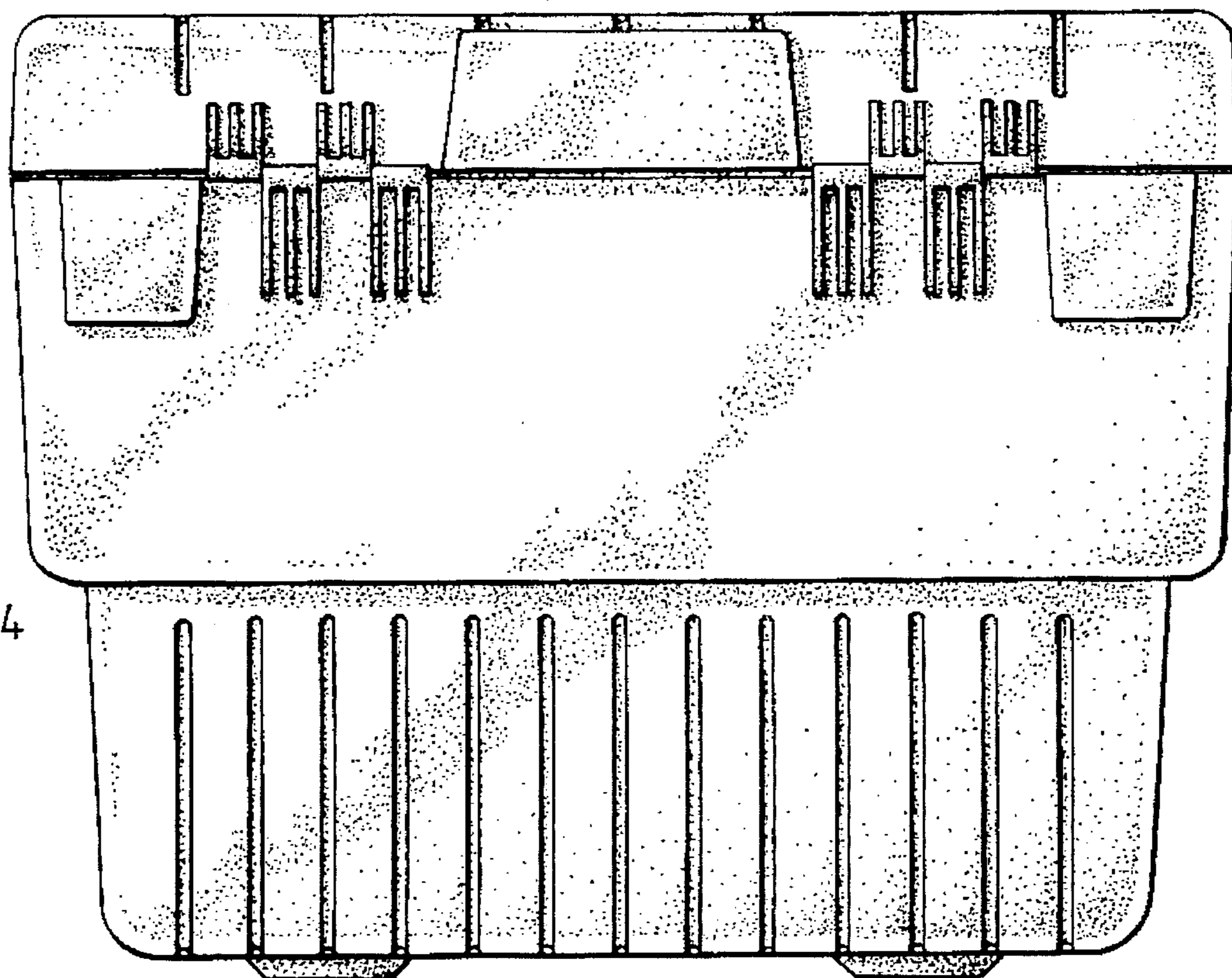


FIG. 5

