



US00D372349S

United States Patent [19] Adair

[11] Patent Number: **Des. 372,349**

[45] Date of Patent: ****Jul. 30, 1996**

[54] **SCRAPER**

[75] Inventor: **Edward W. Adair**, Blenheim, Canada

[73] Assignee: **Mallory Industries**, Ontario, Canada

[**] Term: **14 Years**

[21] Appl. No.: **44,222**

[22] Filed: **Sep. 20, 1995**

Related U.S. Application Data

[63] Continuation of Ser. No. 35,055, Feb. 17, 1995, abandoned.

[30] Foreign Application Priority Data

Feb. 13, 1995 [CA] Canada 1995-0350

[52] U.S. Cl. **D32/49**; D32/46

[58] Field of Search D32/45, 40, 49,
D32/46; 15/236.01, 236.02, 245

[56] References Cited

U.S. PATENT DOCUMENTS

D. 170,460	9/1953	Hauser	D32/49
D. 344,825	3/1994	Cummings et al.	D32/49
4,141,111	2/1979	Hopkins et al.	15/236.02
4,164,801	8/1979	Thomas	15/236.02
4,538,320	9/1985	Batt	15/236 R

FOREIGN PATENT DOCUMENTS

70220 3/1992 Canada .

OTHER PUBLICATIONS

Product Literature for "Big Max" and Snowbuster (Brushcraft, 2 pages).

Product Literature for "Venus II" (Raywares Ltd., 1 page).

Product Literature for "Ice Mitt", Ice Shooter and Blizzard (Mastermotive, 1 page).

Product Literature for "Ice Breakers" (Wescon, 2 pages).

Product Literature for "Ice Scrapers" (Detailed Design, 3 pages).

Product Literature for "Ice Device" (Northland Sales, 1 page).

Product Literature for "Bear Paw" (1 page).

Product Literature for "Super Deluxe Snowbrush" and Cub Lighted Ice Scraper (Hoppy, 2 pages).

Product Literature for "Ice Scrapers" (Mallory, 1 page).

Product Literature for "Red Alert 'Call Police' Emergency Flag" (Scouts Canada, 1 page).

Primary Examiner—A. Hugo Word

Assistant Examiner—Cynthia E. Ramirez

Attorney, Agent, or Firm—Fish & Richardson

[57] CLAIM

The ornamental design for a scraper, as shown and described.

DESCRIPTION

FIG. 1 is a perspective view from above of one side of a scraper in accordance with one aspect of the present design;

FIG. 2 is a perspective view from above of the opposite side of the scraper of FIG. 1;

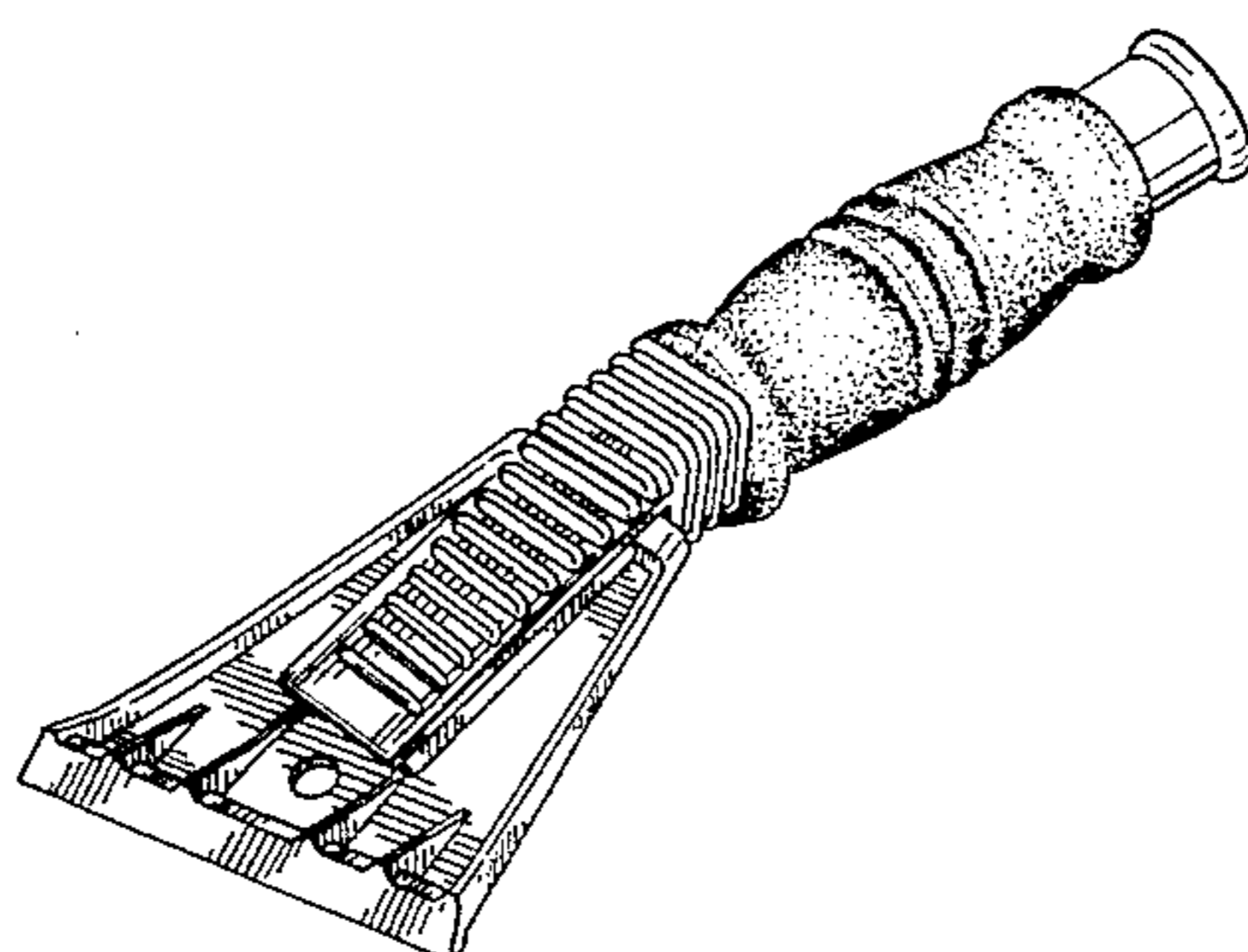
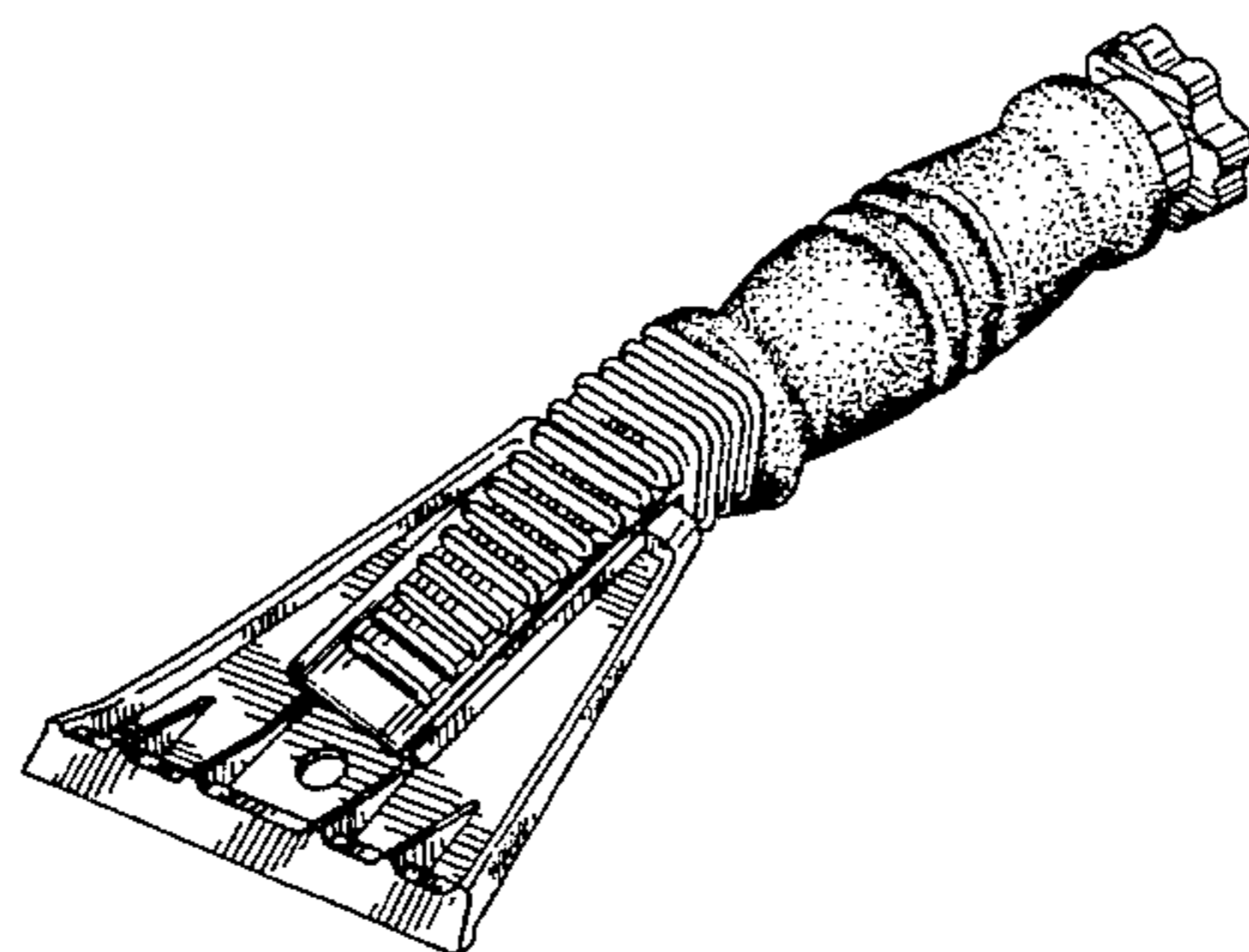
FIG. 3 is an end view of the scraper of FIG. 1 and FIG. 2;

FIG. 4 is a view similar to FIG. 1 of a scraper in accordance with another aspect of the present design;

FIG. 5 is a view similar to FIG. 2 of the scraper of FIG. 4; and,

FIG. 6 is a view similar to FIG. 3 of the scraper of FIG. 5.

1 Claim, 4 Drawing Sheets



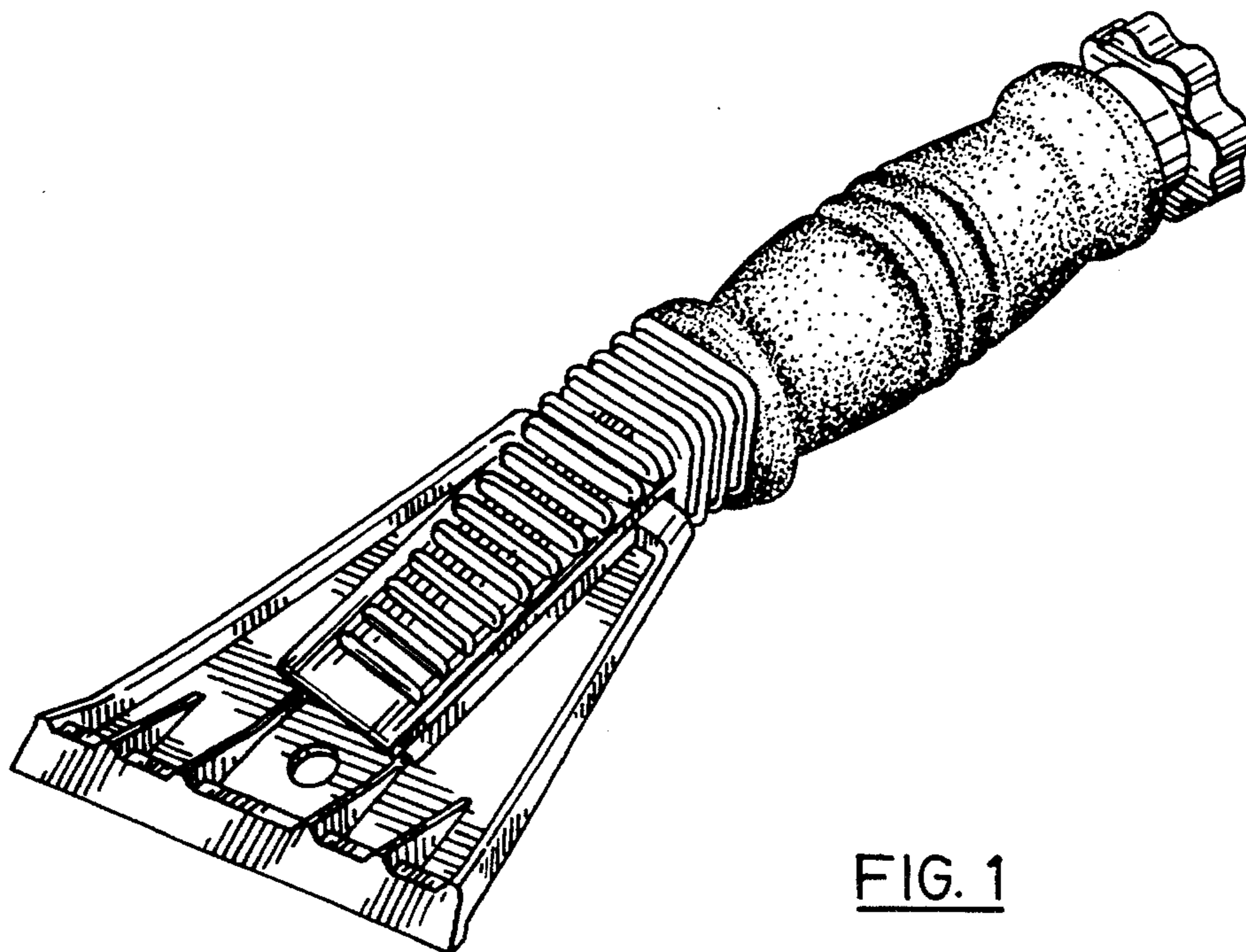


FIG. 1

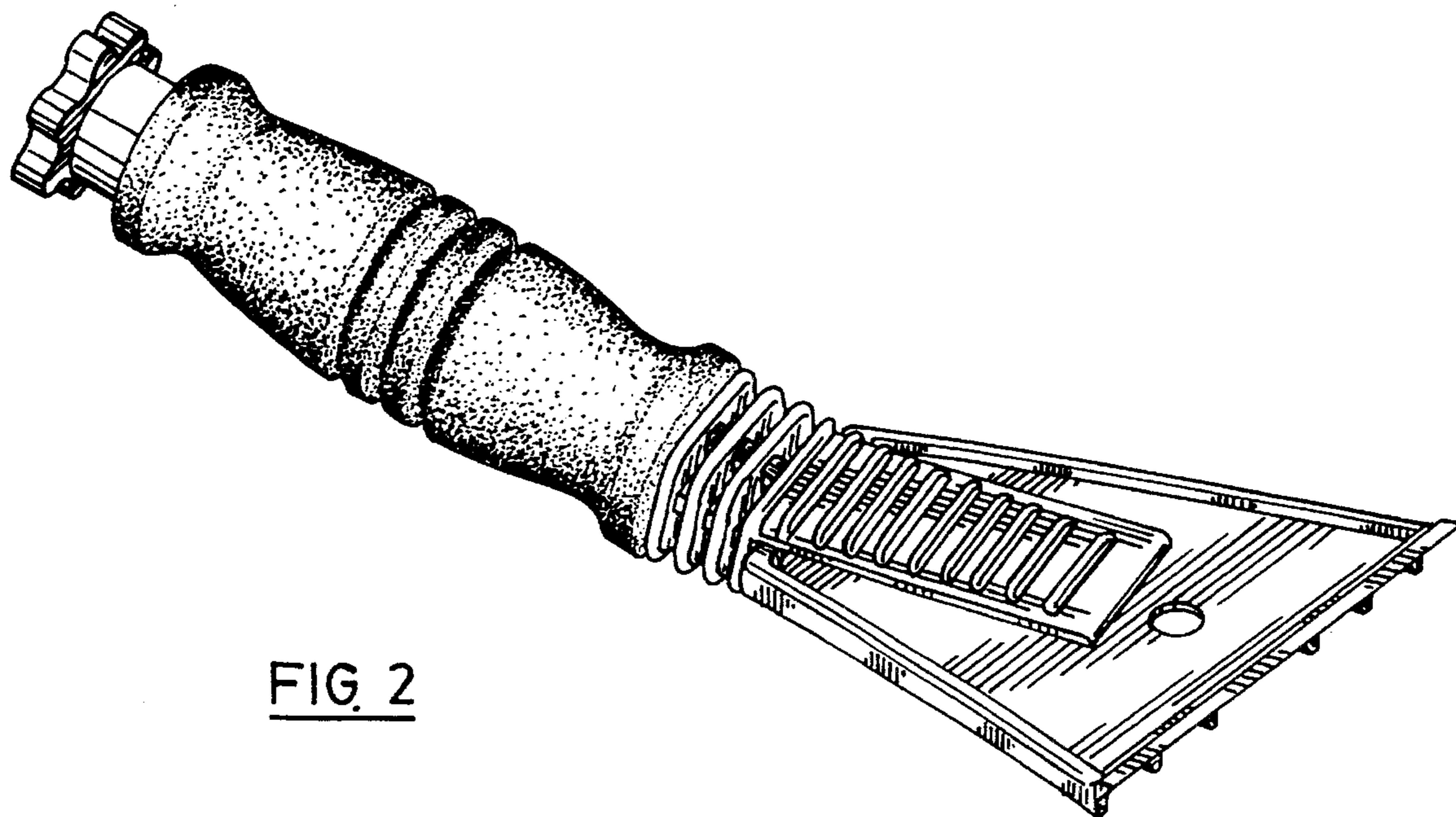


FIG. 2

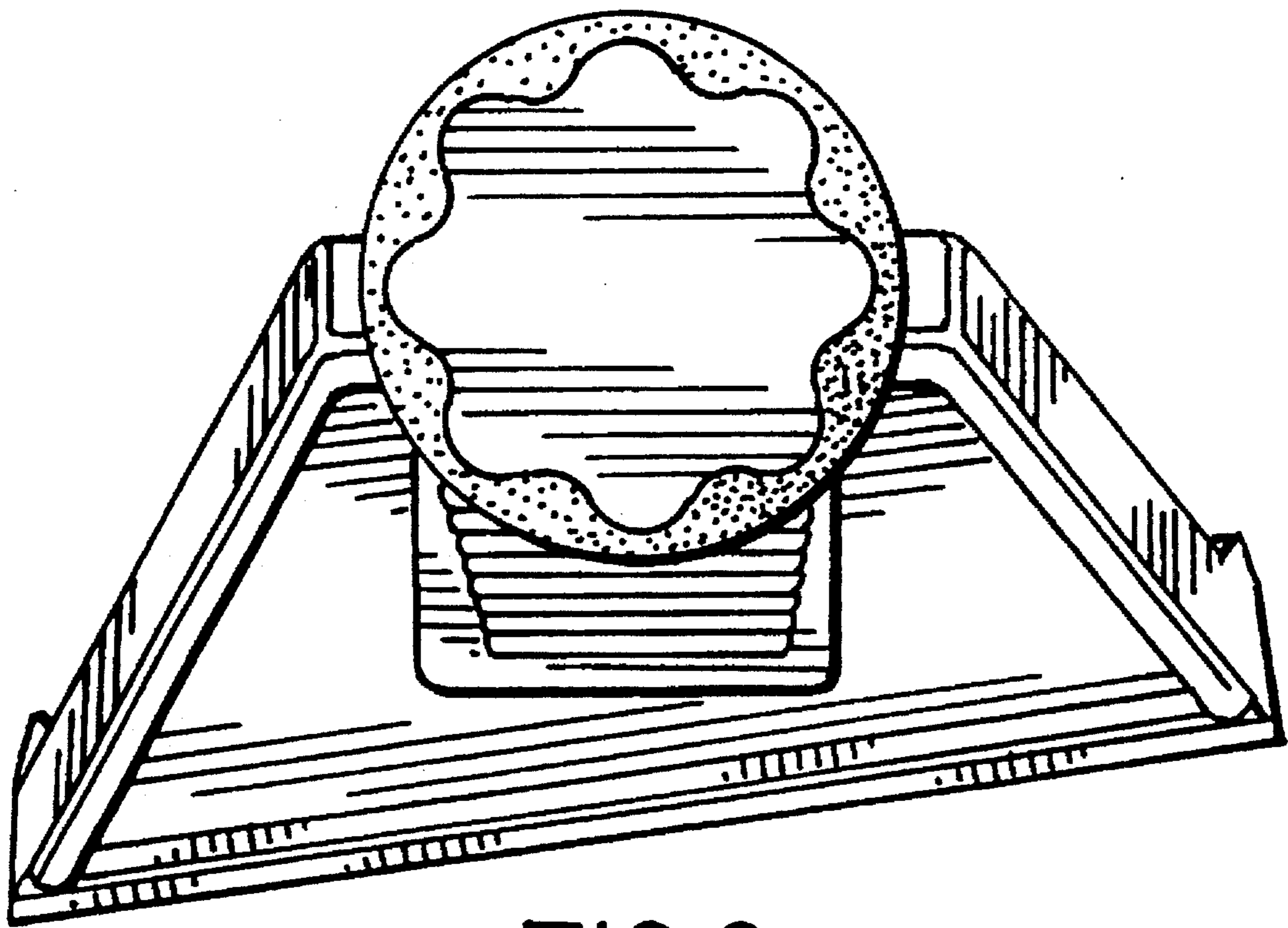


FIG. 3

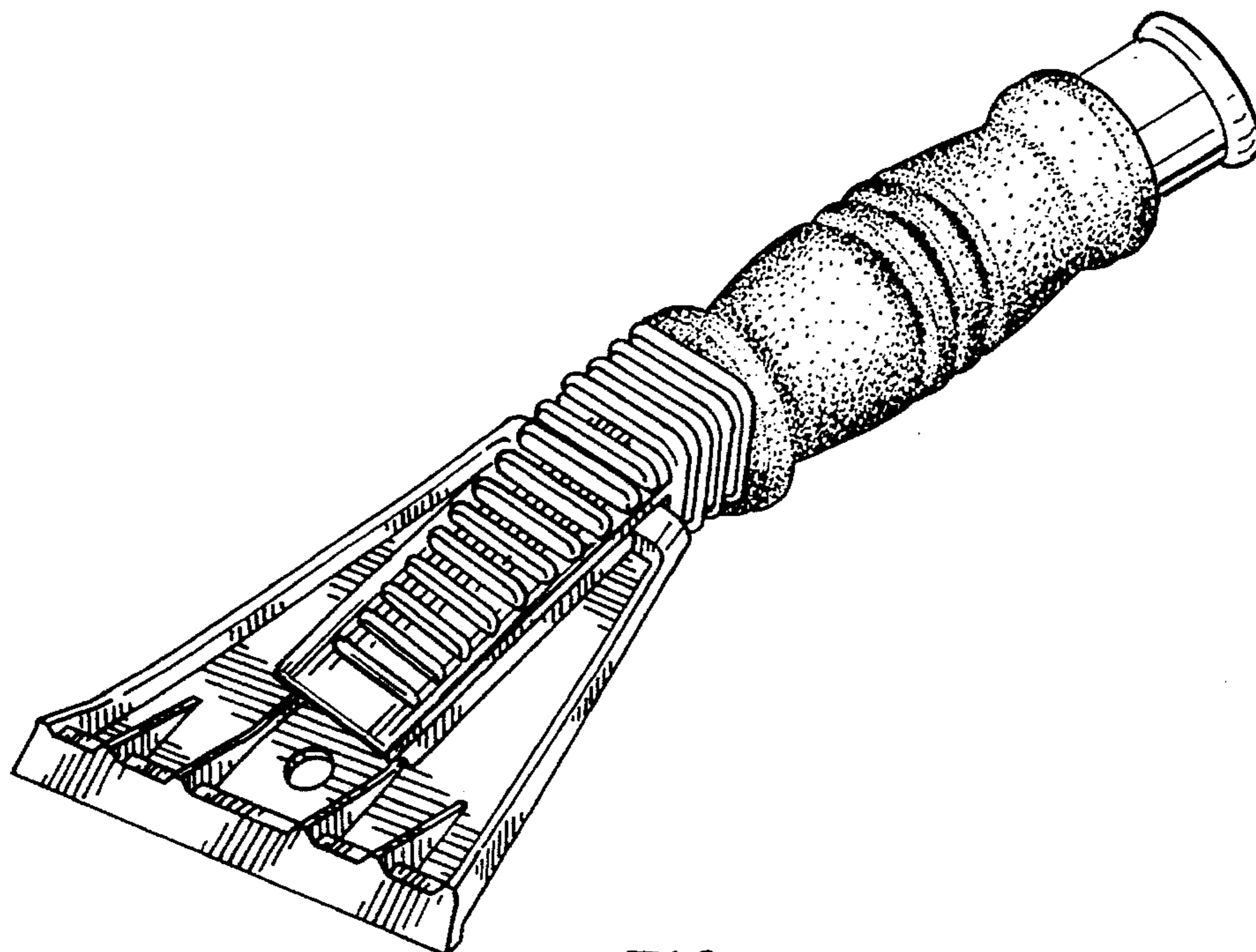


FIG. 4

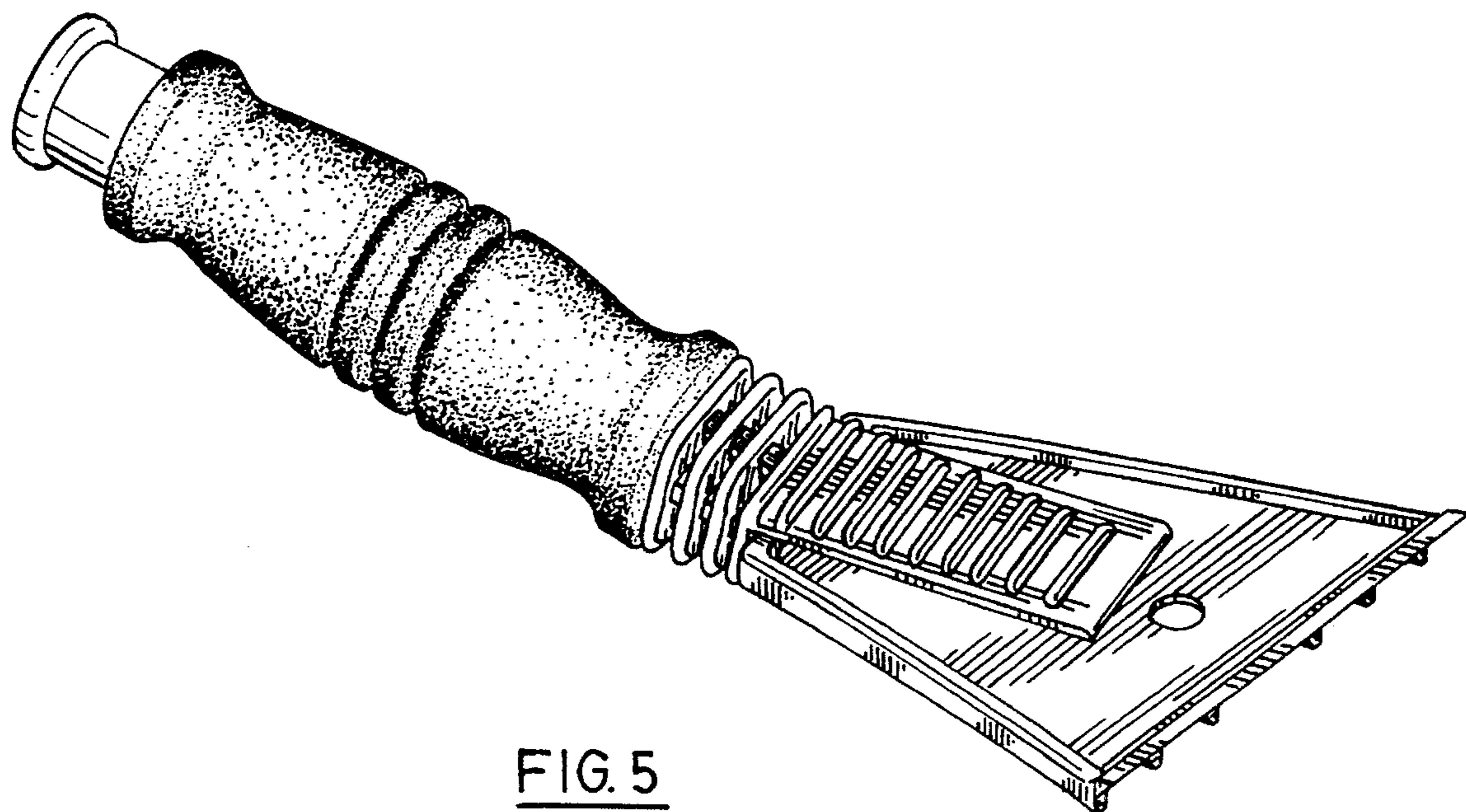


FIG. 5

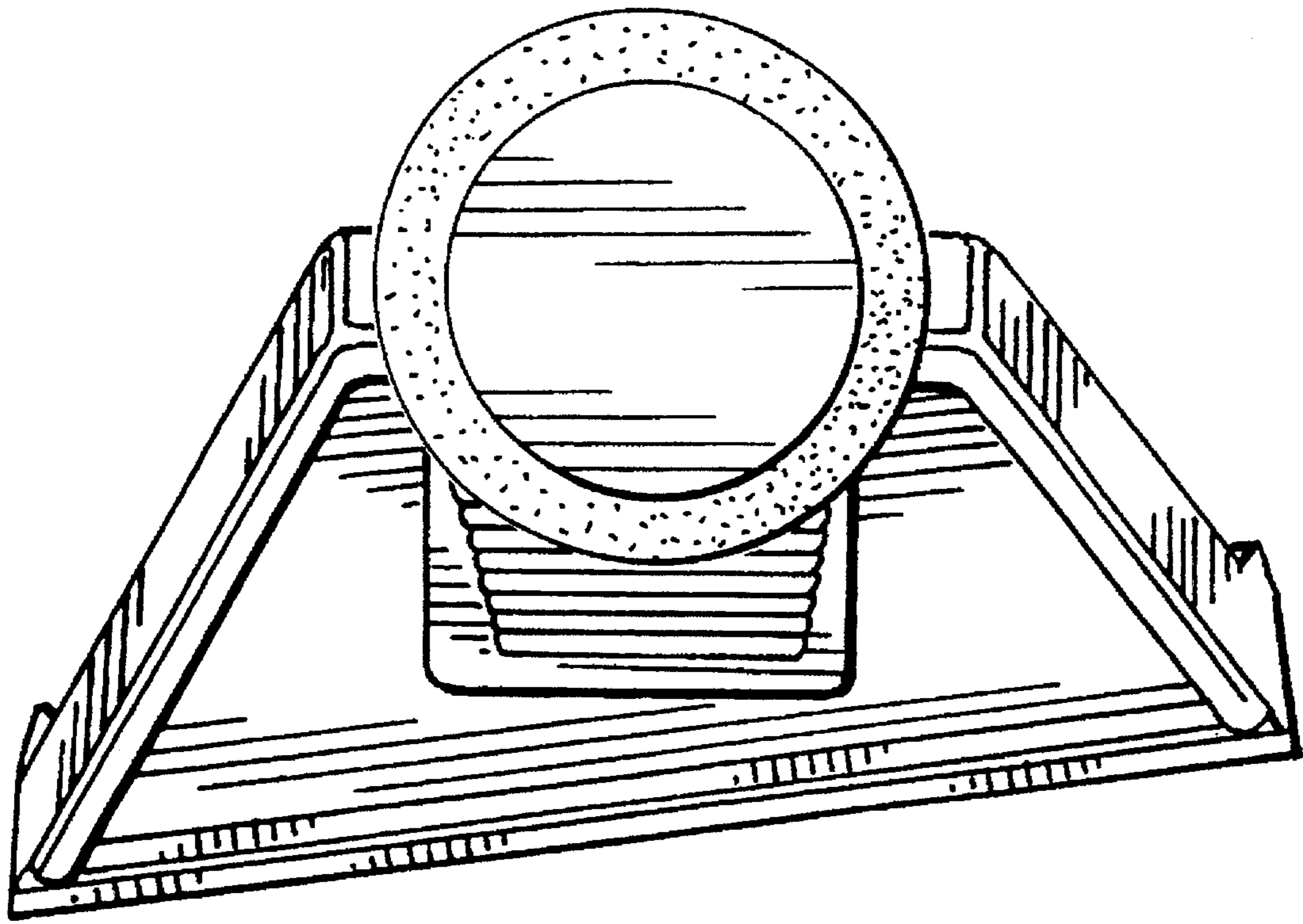


FIG. 6

**UNITED STATES PATENT AND TRADEMARK OFFICE
CERTIFICATE OF CORRECTION**

PATENT NO. : D 372,349

DATED : July 30, 1996

INVENTOR(S) : Edward W. Adair

It is certified that error appears in the above-identified patent and that said Letters Patent is hereby corrected as shown below:

**On the title page, item [73],
Under Assignee, --Mallory Industries-- should read
"Mallory Industries Inc."**

Signed and Sealed this

Third Day of February, 1998



BRUCE LEHMAN

Attest:

Attesting Officer

Commissioner of Patents and Trademarks