



US00D372348S

United States Patent [19]

[11] Patent Number: **Des. 372,348**

Rudolph et al.

[45] Date of Patent: ****Jul. 30, 1996**

[54] **VACUUM CONTAINER LID**

[57] **CLAIM**

[75] Inventors: **Robert Rudolph**, Rockford, Ill.; **Jerry Hogan**, West Bend, Wis.

The ornamental design for a vacuum container lid, as shown and described.

[73] Assignee: **Collectif Partnership**, Rockford, Ill.

DESCRIPTION

[**] Term: **14 Years**

[21] Appl. No.: **34,201**

[22] Filed: **Jan. 30, 1995**

[52] U.S. Cl. **D32/31**

[58] Field of Search D32/21, 23, 31;
15/327.1, 327.2, 327.4, 327.6-327.7

FIG. 1 is a perspective view of a vacuum container lid showing our new design, the vacuum container and flexible hoses shown in broken lines are for illustrative purposes only and form no part of the claimed design;

FIG. 2 is an enlarged top view thereof;

FIG. 3 is a front view thereof;

FIG. 4 is a side view thereof as seen from the right of FIG. 3;

FIG. 5 is a side view thereof as seen from the left of FIG. 3;

FIG. 6 is a rear view thereof;

FIG. 7 is a bottom view thereof; and,

FIG. 8 is a cross-sectional view thereof as seen along the line 8-8 of FIG. 2.

[56] References Cited

U.S. PATENT DOCUMENTS

D. 189,743	2/1961	Happe	D32/23
D. 260,151	8/1981	Martnec	D32/31
D. 360,718	7/1995	Rakocy et al.	D32/31
3,721,071	3/1973	Mueller et al.	15/323
4,654,926	4/1987	McCambridge	15/327.6

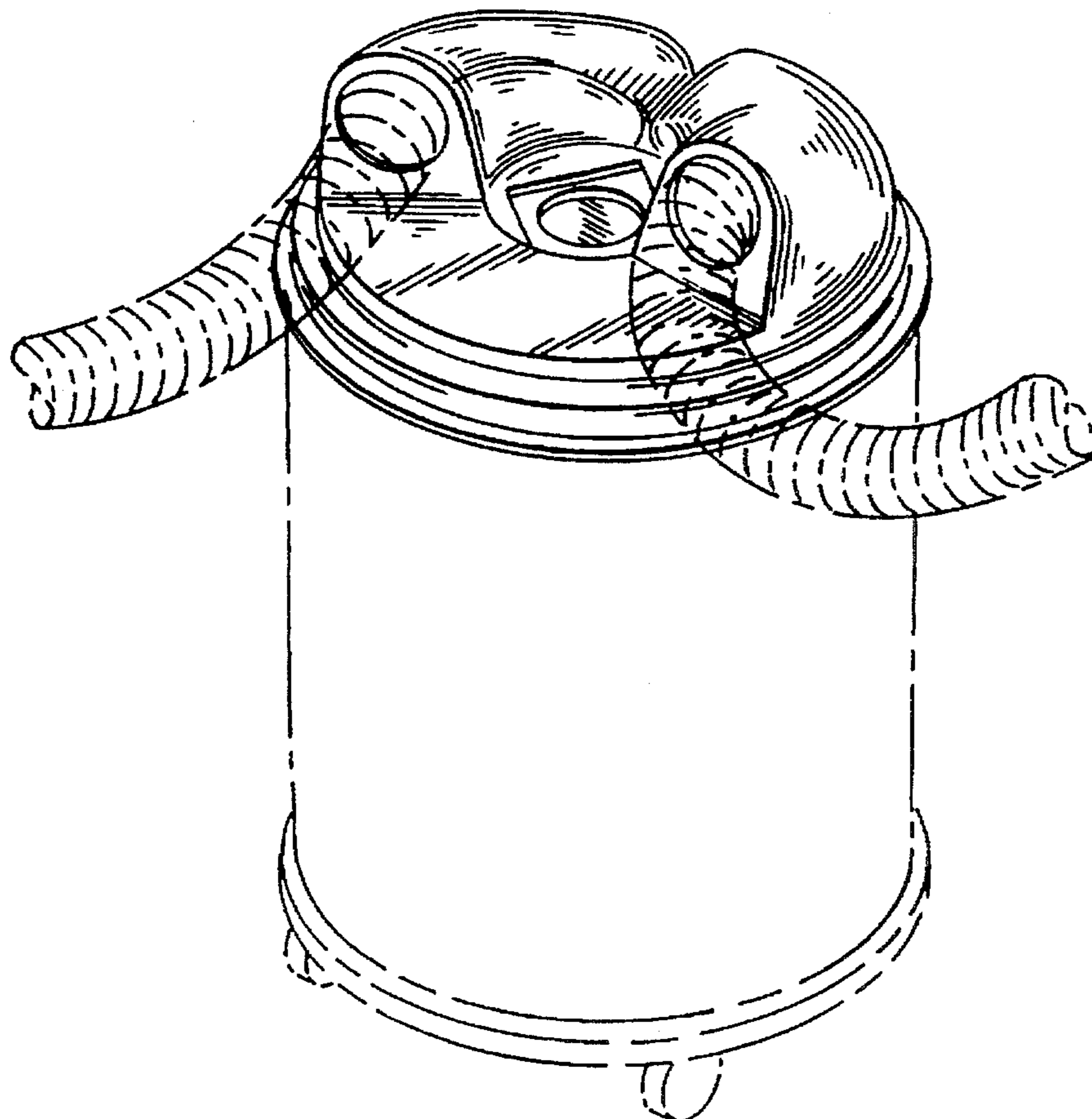
OTHER PUBLICATIONS

Best Products Buyer's Book-1980; p. 236, Item's H, J.

Primary Examiner--Ruth McInroy

Attorney, Agent, or Firm--Leydig, Voit & Mayer, Ltd.

1 Claim, 3 Drawing Sheets



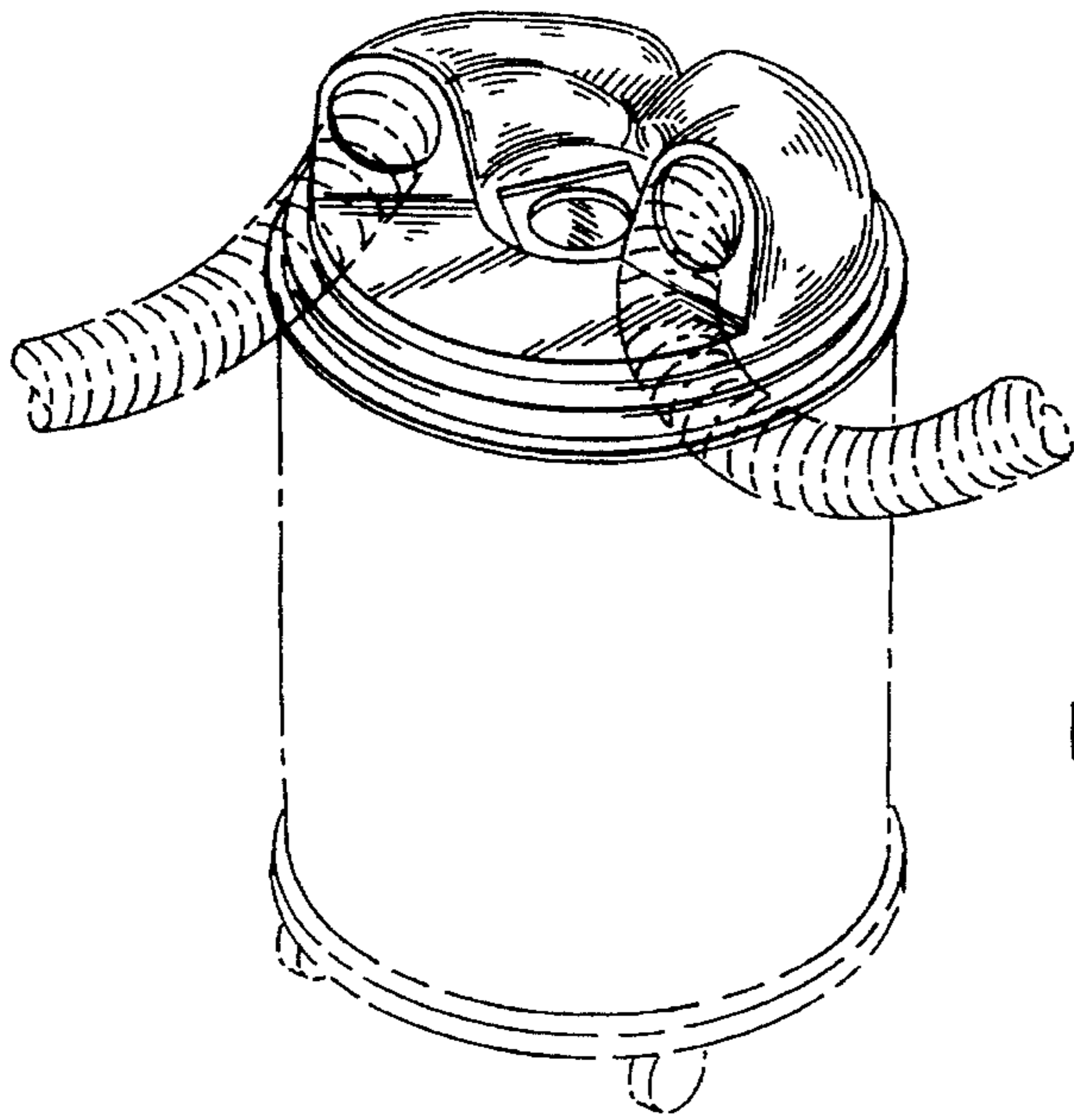


FIG. 1

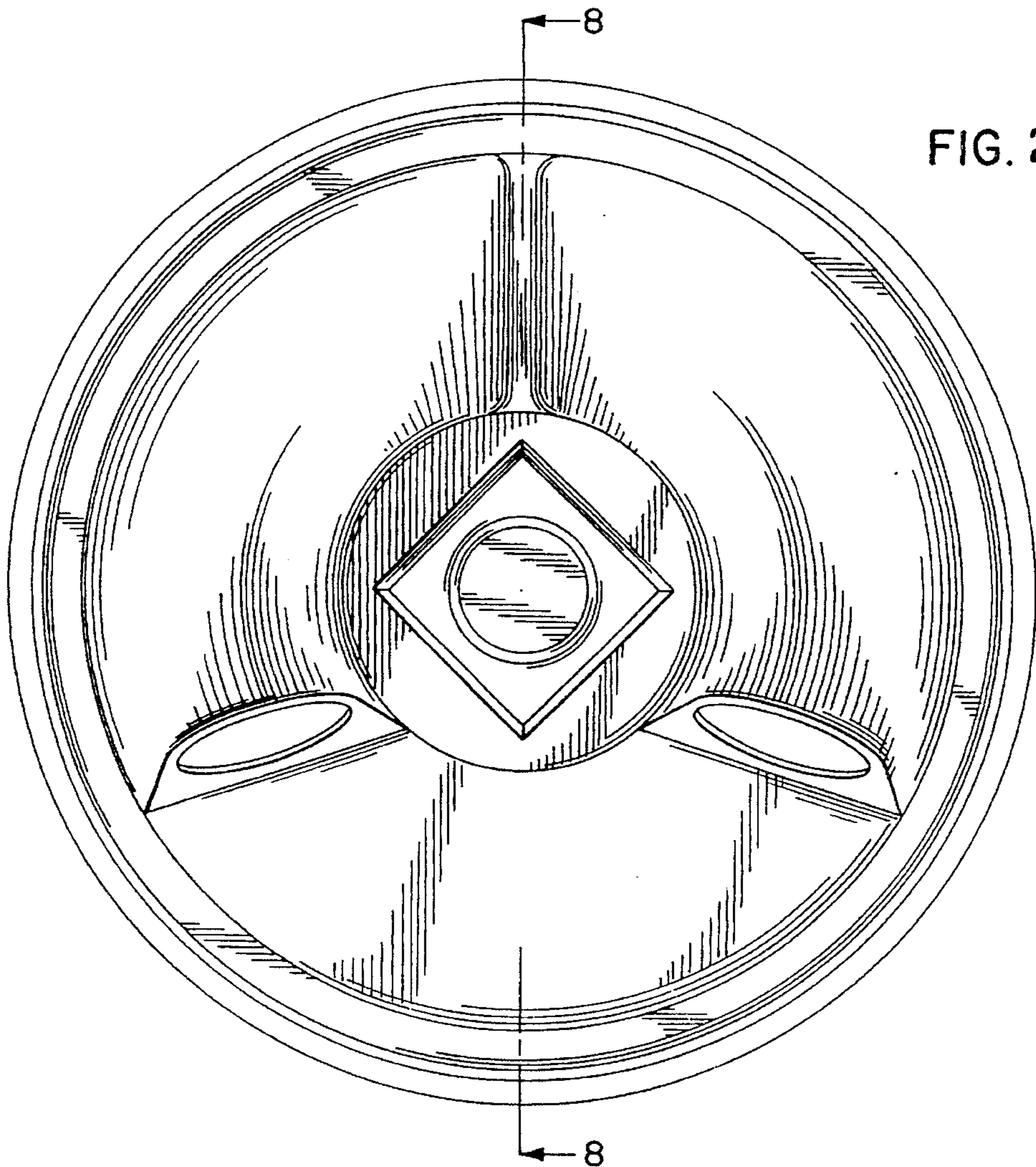


FIG. 2

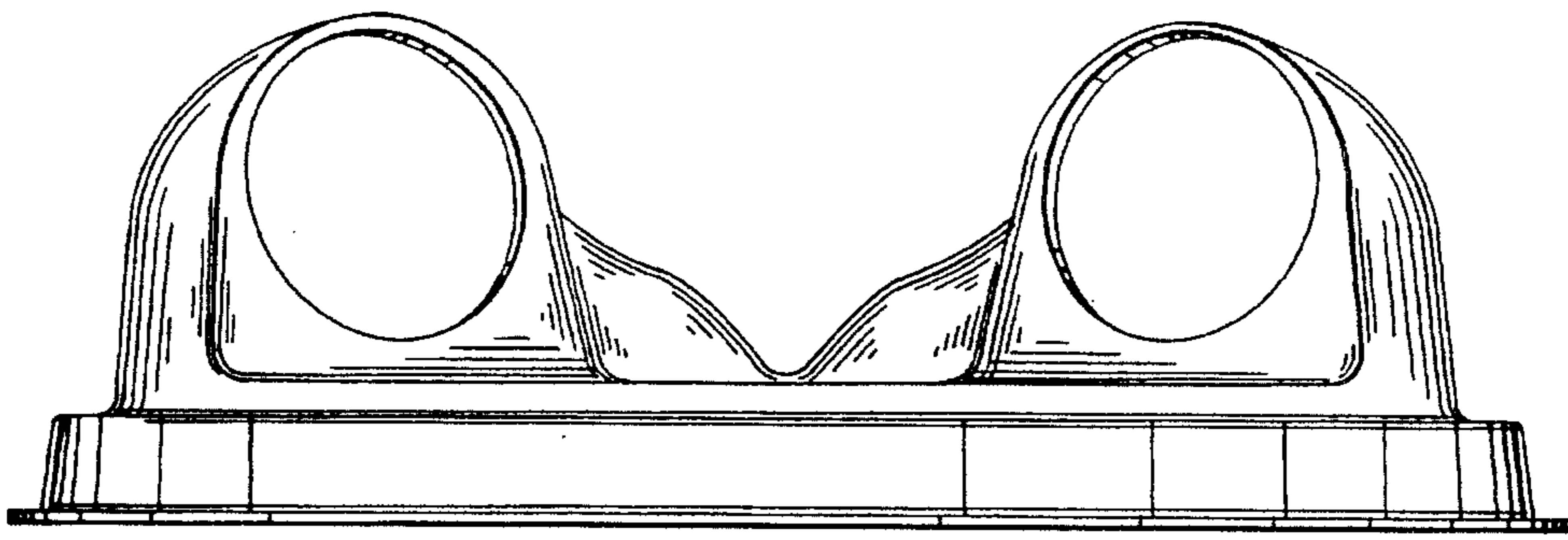


FIG. 3

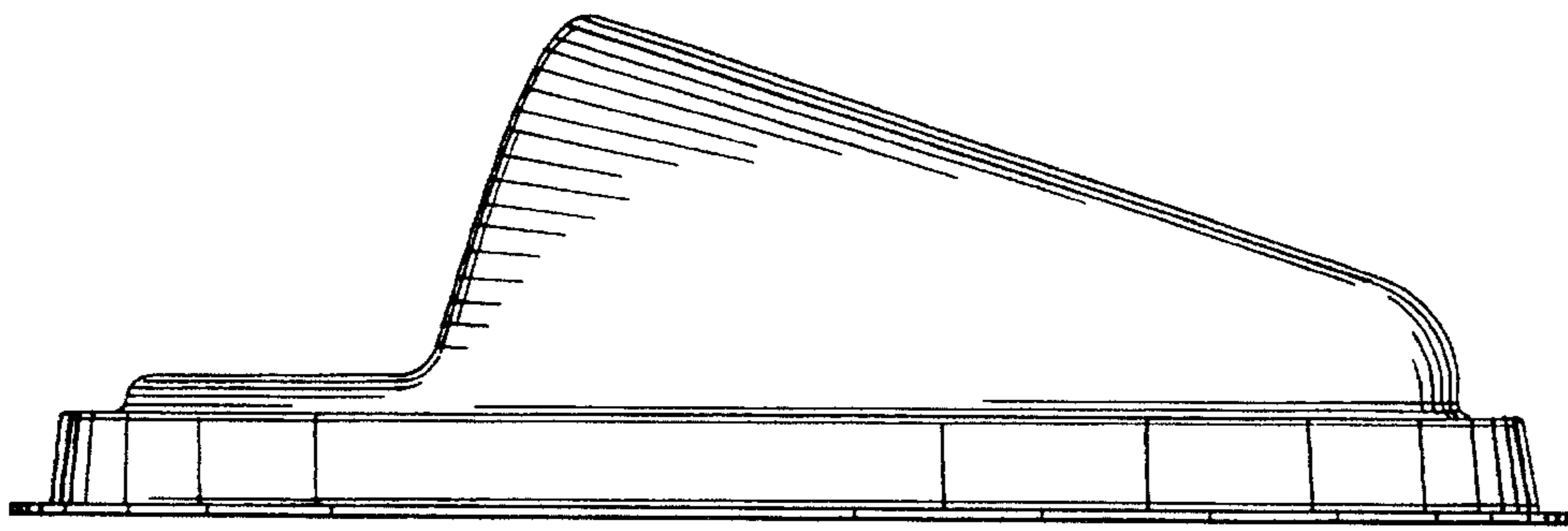


FIG. 4

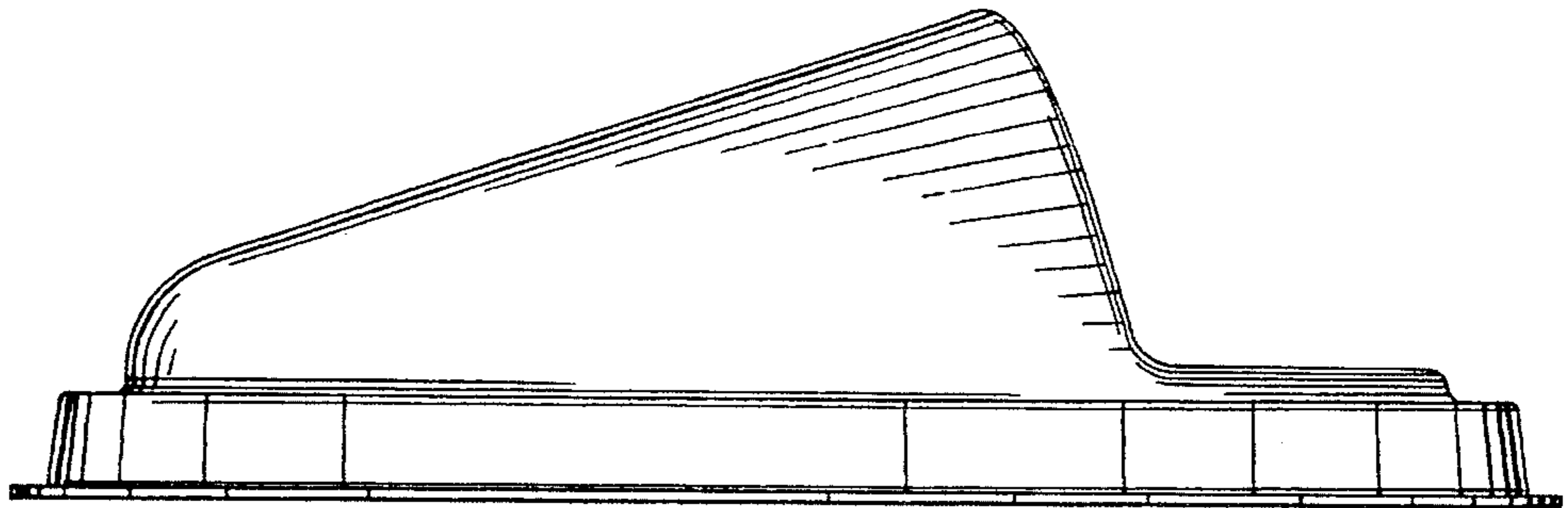


FIG. 5

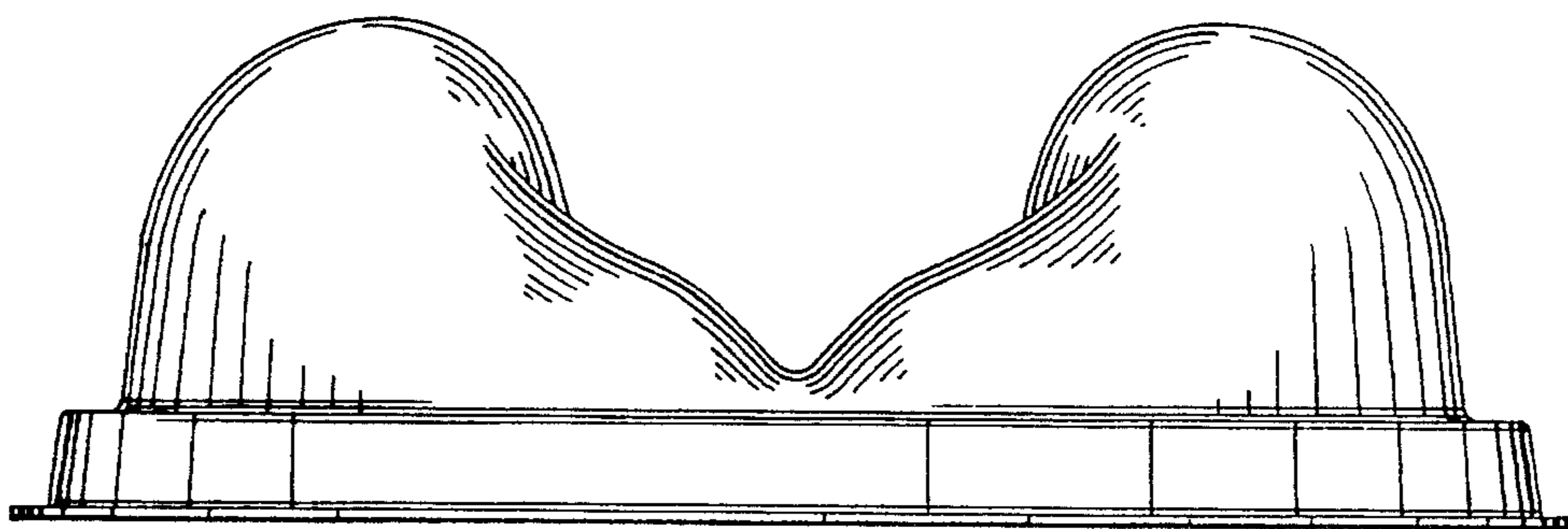


FIG. 6

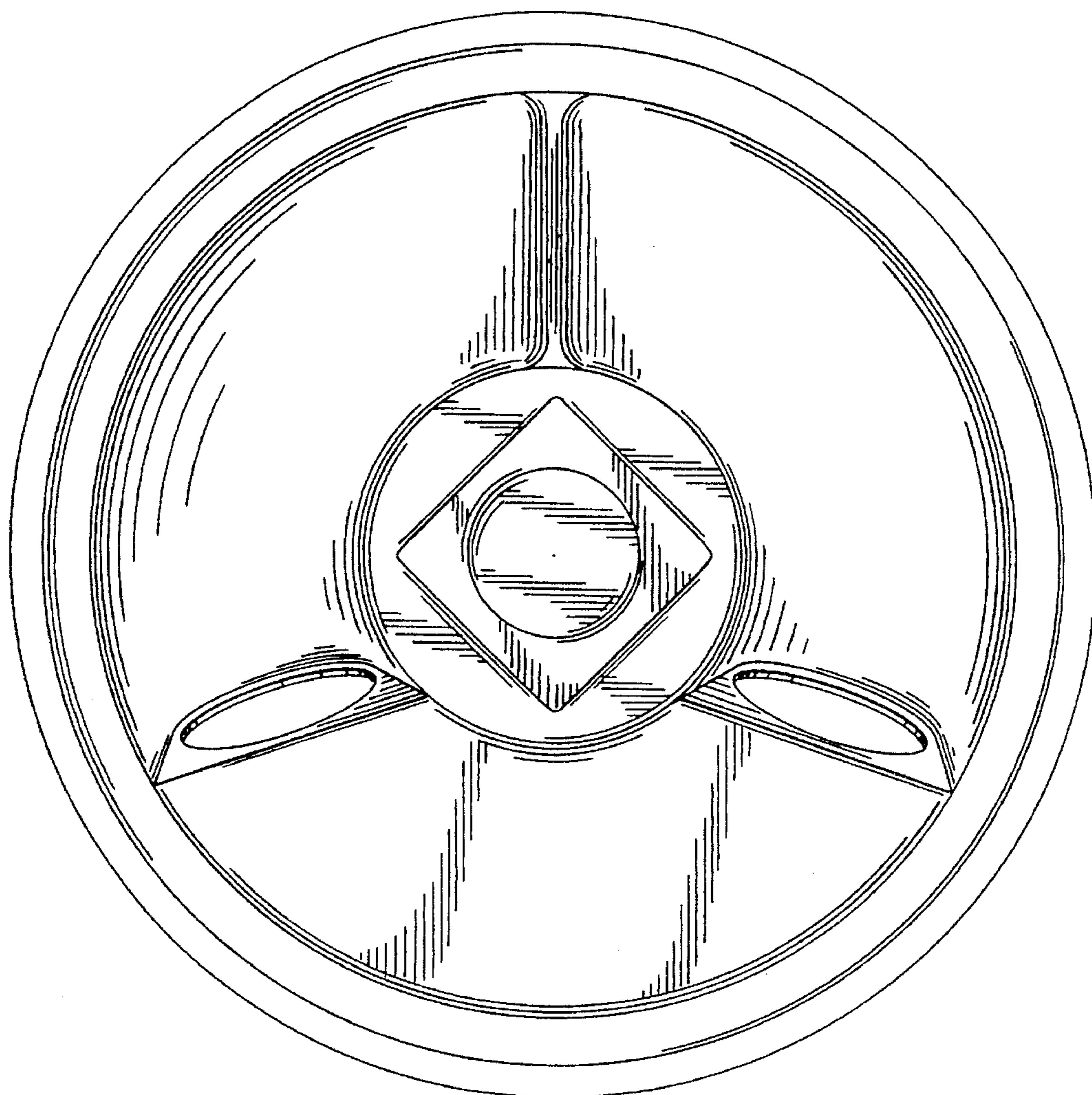


FIG. 7

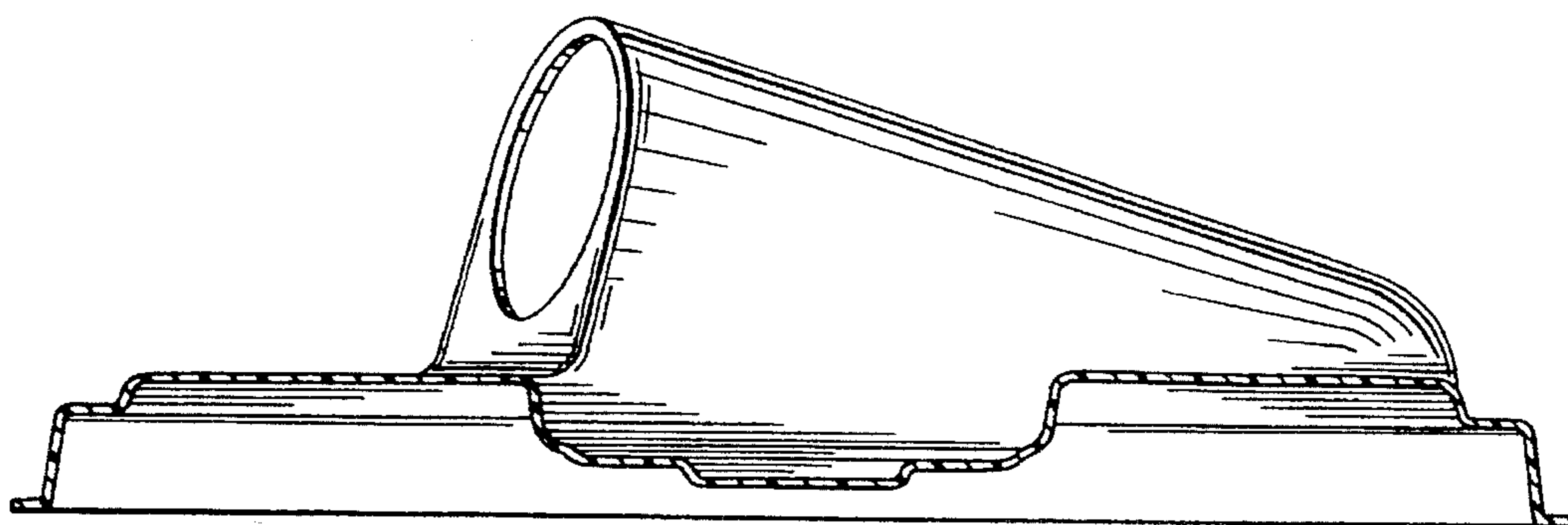


FIG. 8