



US00D372347S

United States Patent [19]

Porfilio et al.

[11] Patent Number: **Des. 372,347**

[45] Date of Patent: ****Jul. 30, 1996**

[54] **PORTABLE BLOWER FOR DRYING CARS**

[76] Inventors: **Sally M. Porfilio; Robert R. Porfilio**,
both of 726 Regal Dr., Youngstown,
Ohio 44515-4362

[**] Term: **14 Years**

[21] Appl. No.: **30,356**

[22] Filed: **Oct. 27, 1994**

[52] U.S. Cl. **D32/15**

[58] Field of Search D32/1, 15-17,
D32/21, 25; 15/344, 347, 405, 412, 414,
415.1, 316.1-318.1, 330

[56] **References Cited**

U.S. PATENT DOCUMENTS

D. 305,816	1/1990	Berfield et al.	D32/15
D. 339,432	9/1993	Rakocy et al.	D32/15
D. 344,615	2/1994	Berfield et al.	D32/15
D. 354,378	1/1995	McKnight et al.	D32/15
D. 359,603	6/1995	Rakocy et al.	D32/15
4,288,886	9/1981	Siegler	15/330
4,644,606	2/1987	Luerken et al.	15/330
4,663,799	5/1987	Kiyooka	15/330

4,694,528	9/1987	Comer et al.	15/330
4,797,072	1/1989	Berfield et al.	417/423.2
5,035,586	7/1991	Sadler et al.	417/363

Primary Examiner—James M. Gandy
Assistant Examiner—Stacia Sinuik

[57] **CLAIM**

The ornamental design for a portable blower for drying cars, as shown and described.

DESCRIPTION

FIG. 1 is a front elevational view of the portable blower for drying cars showing my new design;
FIG. 2 is a rear elevational view thereof;
FIG. 3 is an enlarged left side elevational view thereof;
FIG. 4 is an enlarged right side elevational view thereof;
FIG. 5 is a top plan view thereof; and,
FIG. 6 is a bottom plan view thereof;
FIG. 7 is a perspective view of the present invention.
The broken line showing of environment is for illustrative purposes only and forms no part of the claimed design.
The electrical cord has been broken away in the middle in FIGS. 1, 2, 5, 6 and 7 to indicate indeterminate length.

1 Claim, 4 Drawing Sheets

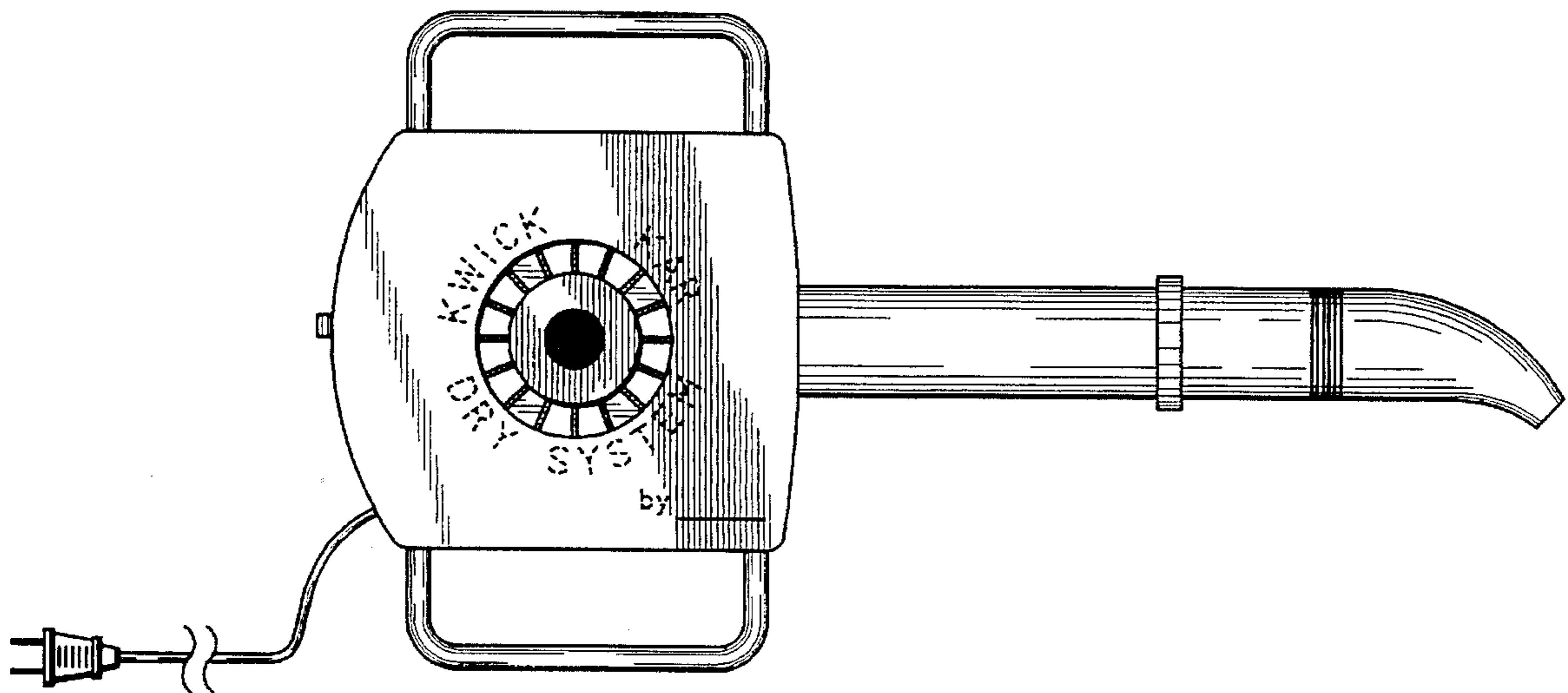


FIG. 1

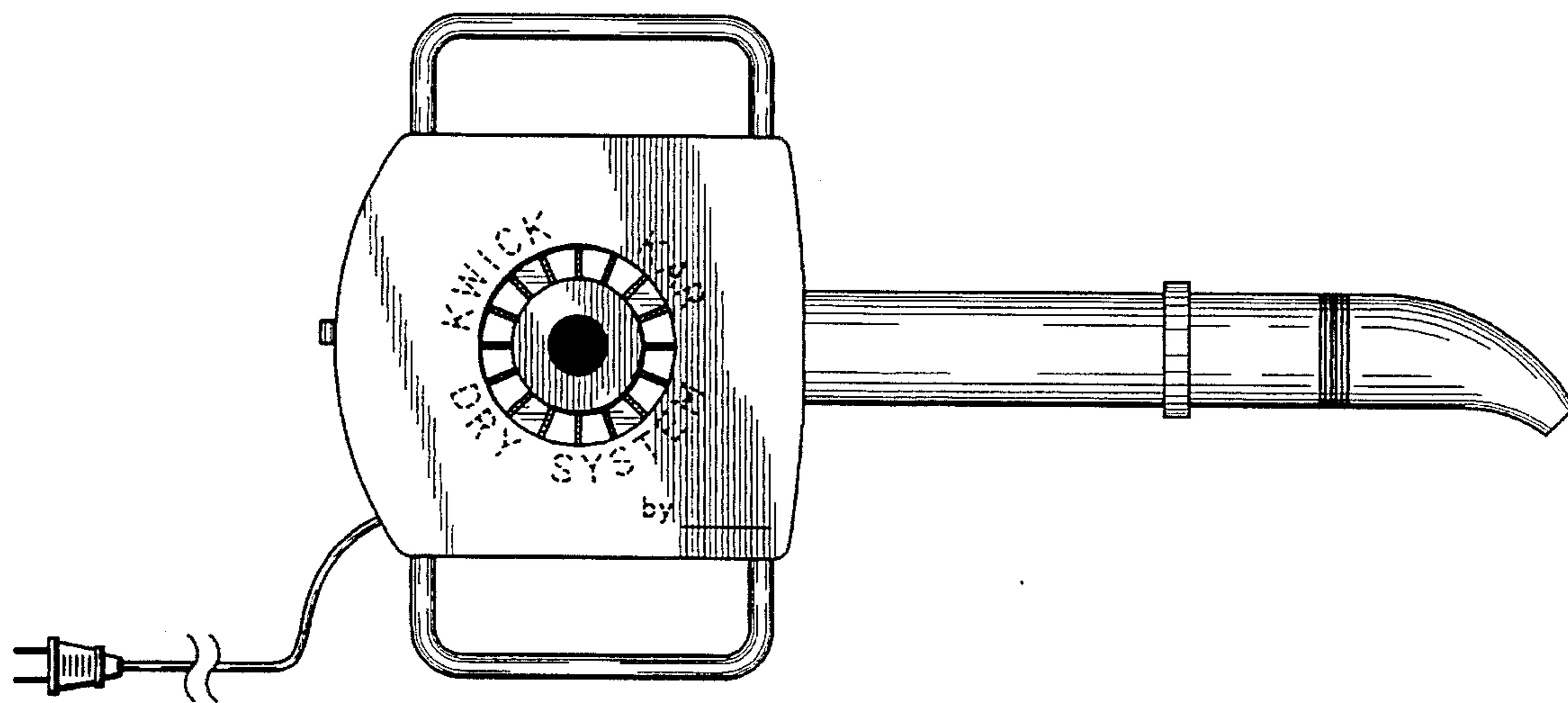


FIG. 2

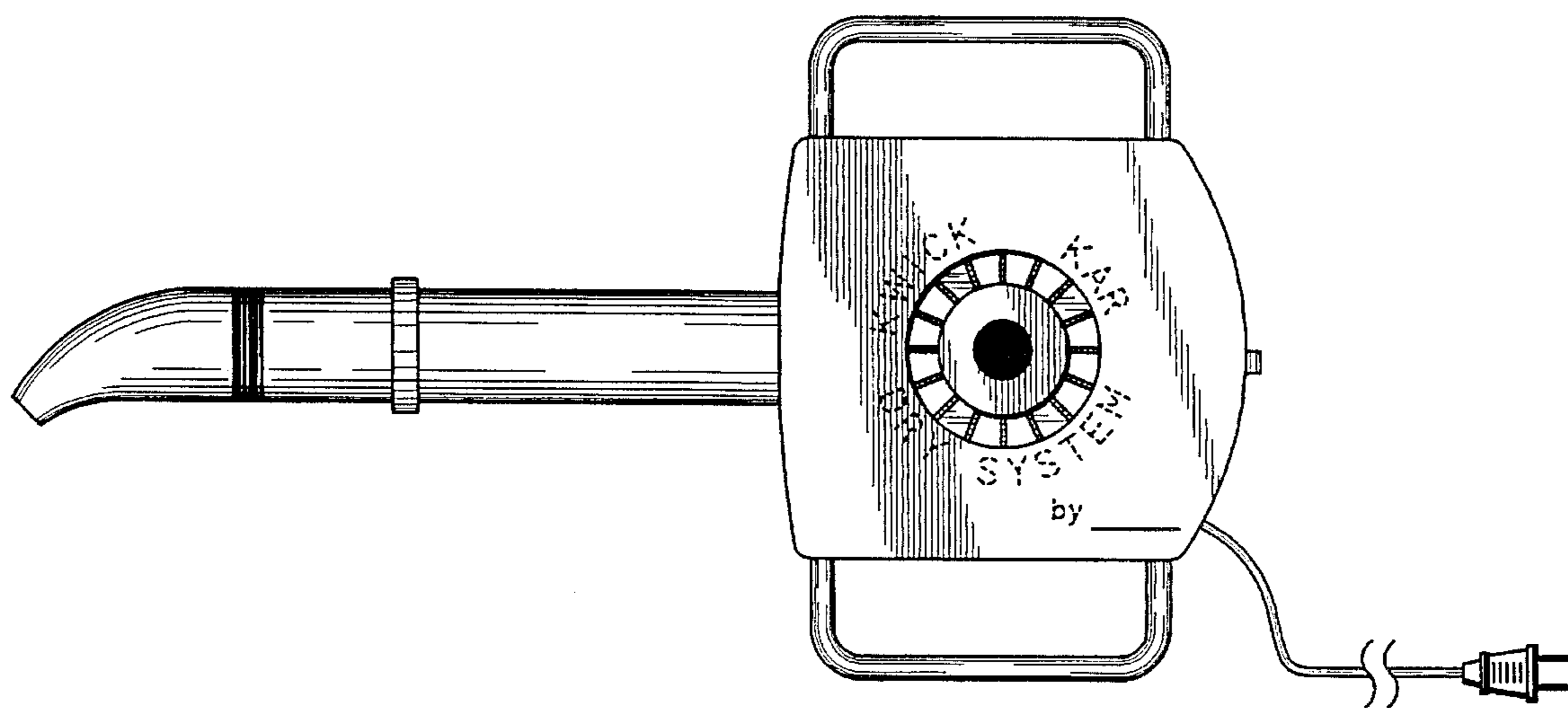


FIG. 3

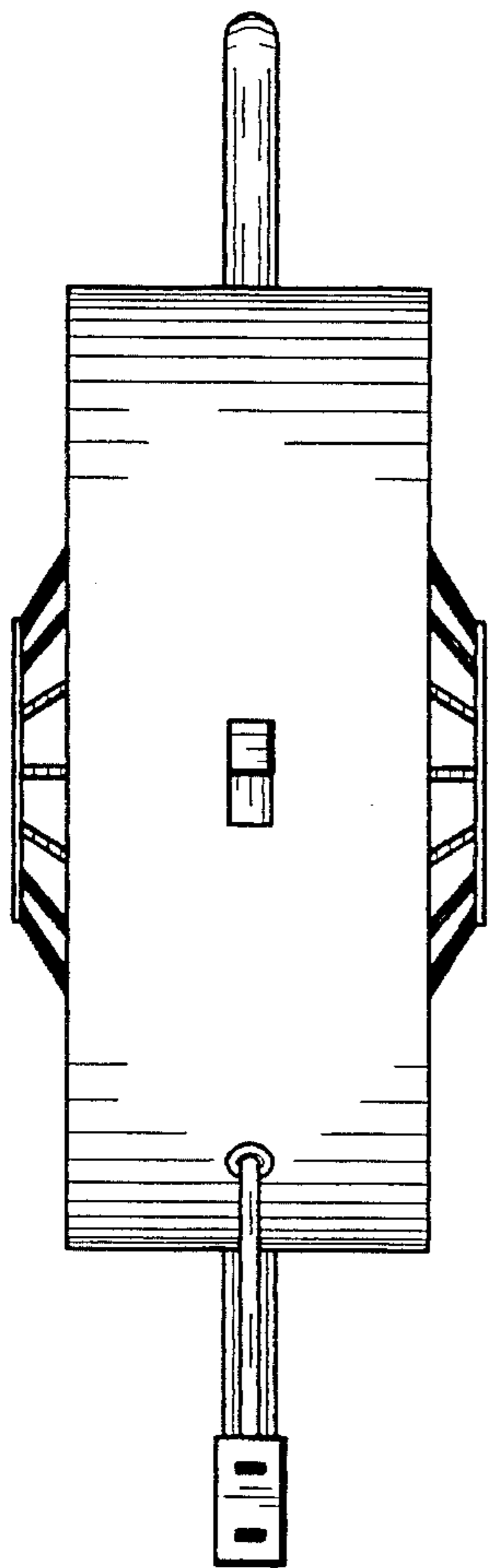


FIG. 4

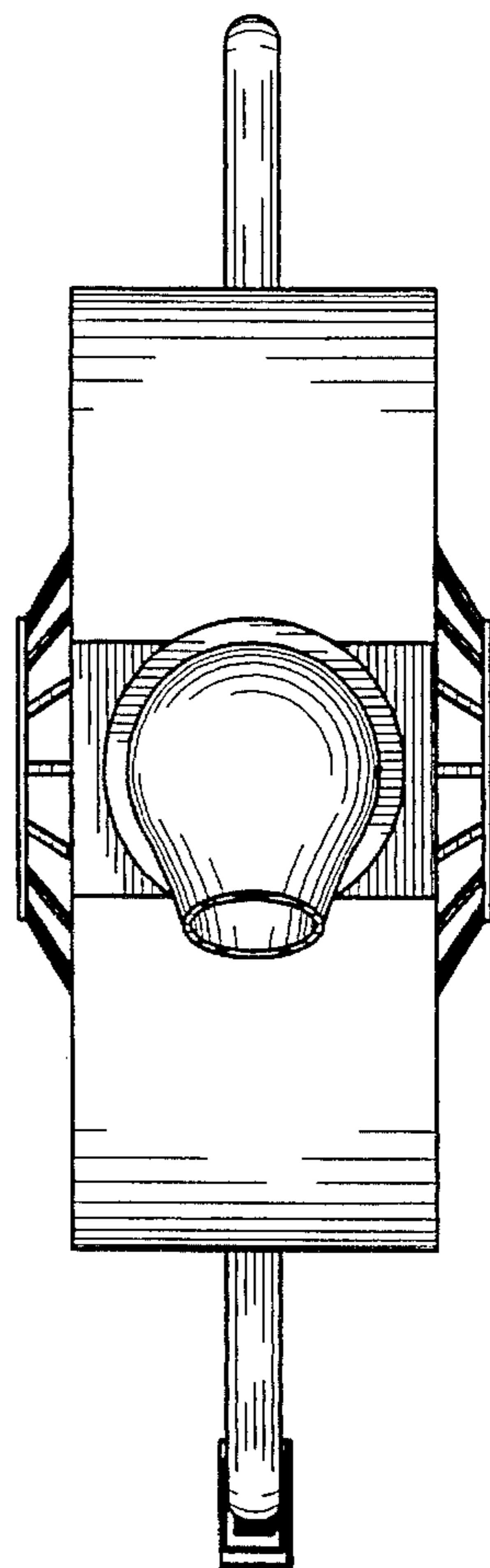


FIG. 5

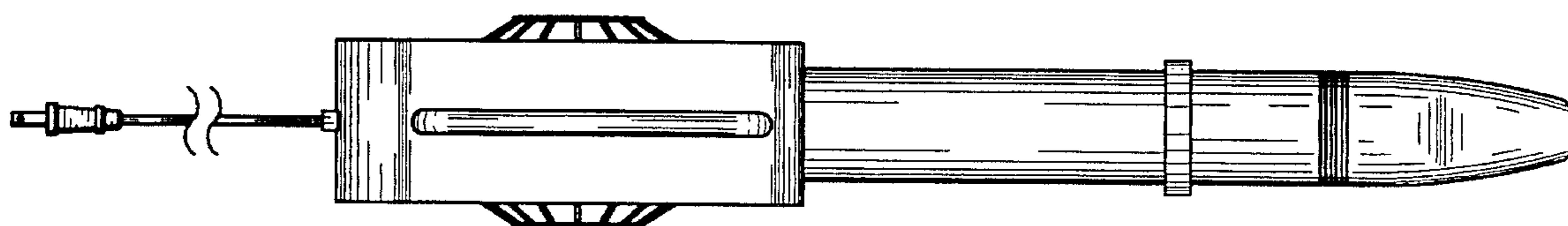


FIG. 6

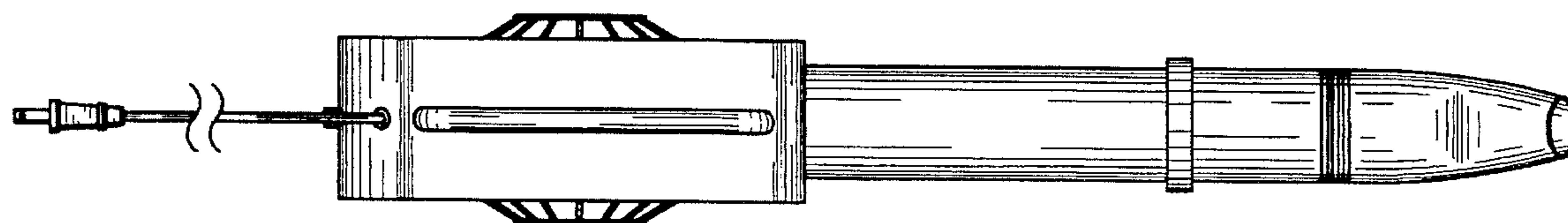


FIG. 7

