



US00D372346S

United States Patent [19]

[11] Patent Number: **Des. 372,346**

Marks

[45] Date of Patent: ****Jul. 30, 1996**

[54] **COMBINED MITTEN DRYER AND WARMER**

Attorney, Agent, or Firm—DeWitt Ross & Stevens

[76] Inventor: **Matthew T. Marks**, 3570 Beegs Rd.,
McFarland, Wis. 53558

[57] **CLAIM**

[**] Term: **14 Years**

The ornamental design for a combined mitten dryer and warmer, as shown and described.

[21] Appl. No.: **35,259**

DESCRIPTION

[22] Filed: **Feb. 23, 1995**

[52] U.S. Cl. **D32/8**

[58] Field of Search D32/8, 25; 34/103,
34/104, 240, 287, 589

FIG. 1 is a perspective view of a combined mitten dryer and warmer showing my new design;

FIG. 2 is a top plan view thereof;

FIG. 3 is a bottom plan view thereof;

FIG. 4 is an end elevational view thereof, the opposite end being a mirror image;

FIG. 5 is a side elevational view thereof, the opposite side being a mirror image;

FIG. 6 is a perspective view of a second embodiment thereof;

FIG. 7 is a perspective view of a third embodiment thereof; and,

FIG. 8 is a perspective view of a fourth embodiment thereof. The mittens shown in broken lines and arrow in FIGS. 1, 6, 7 and 8 are shown for illustrative purposes only and form no part of the claimed design.

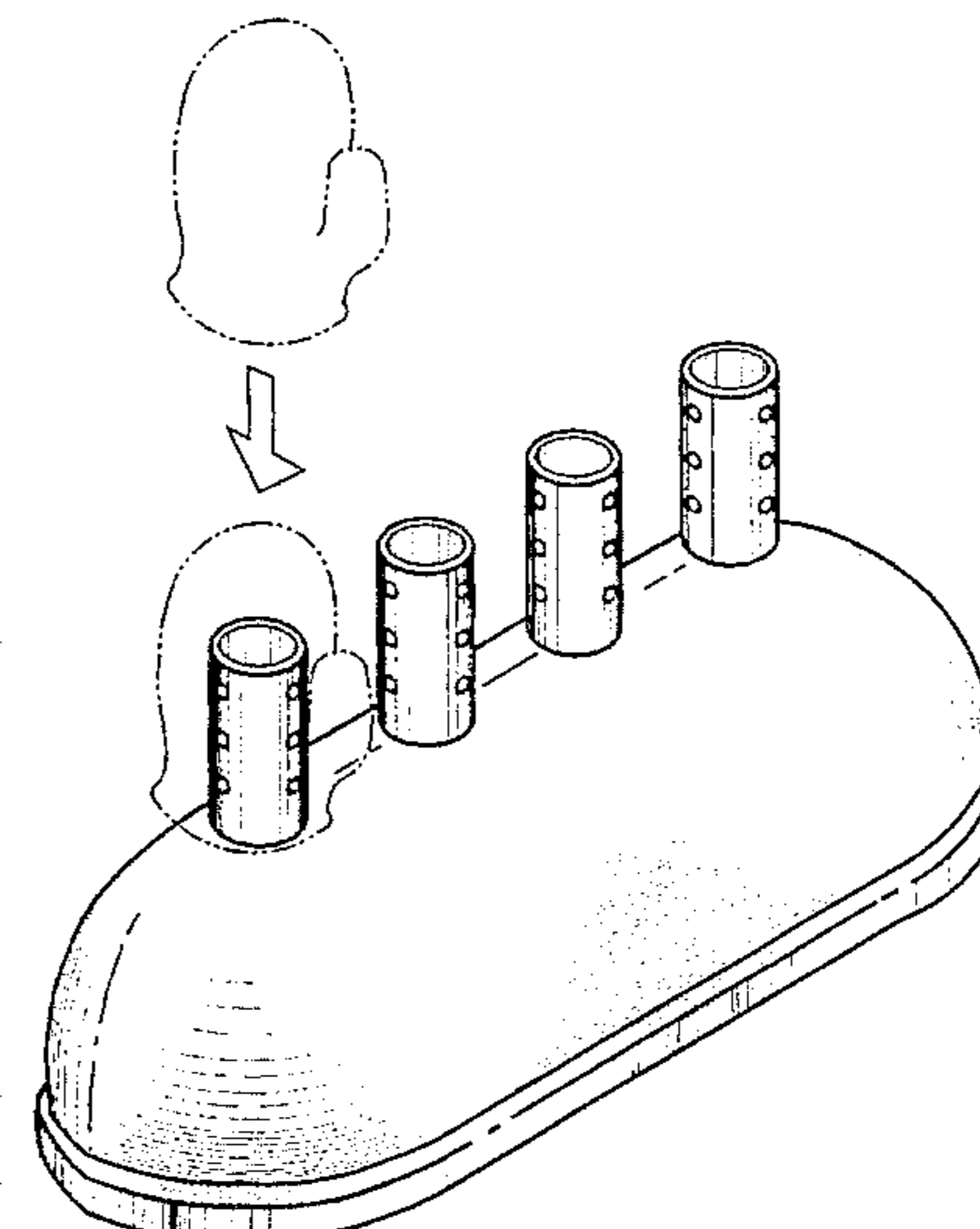
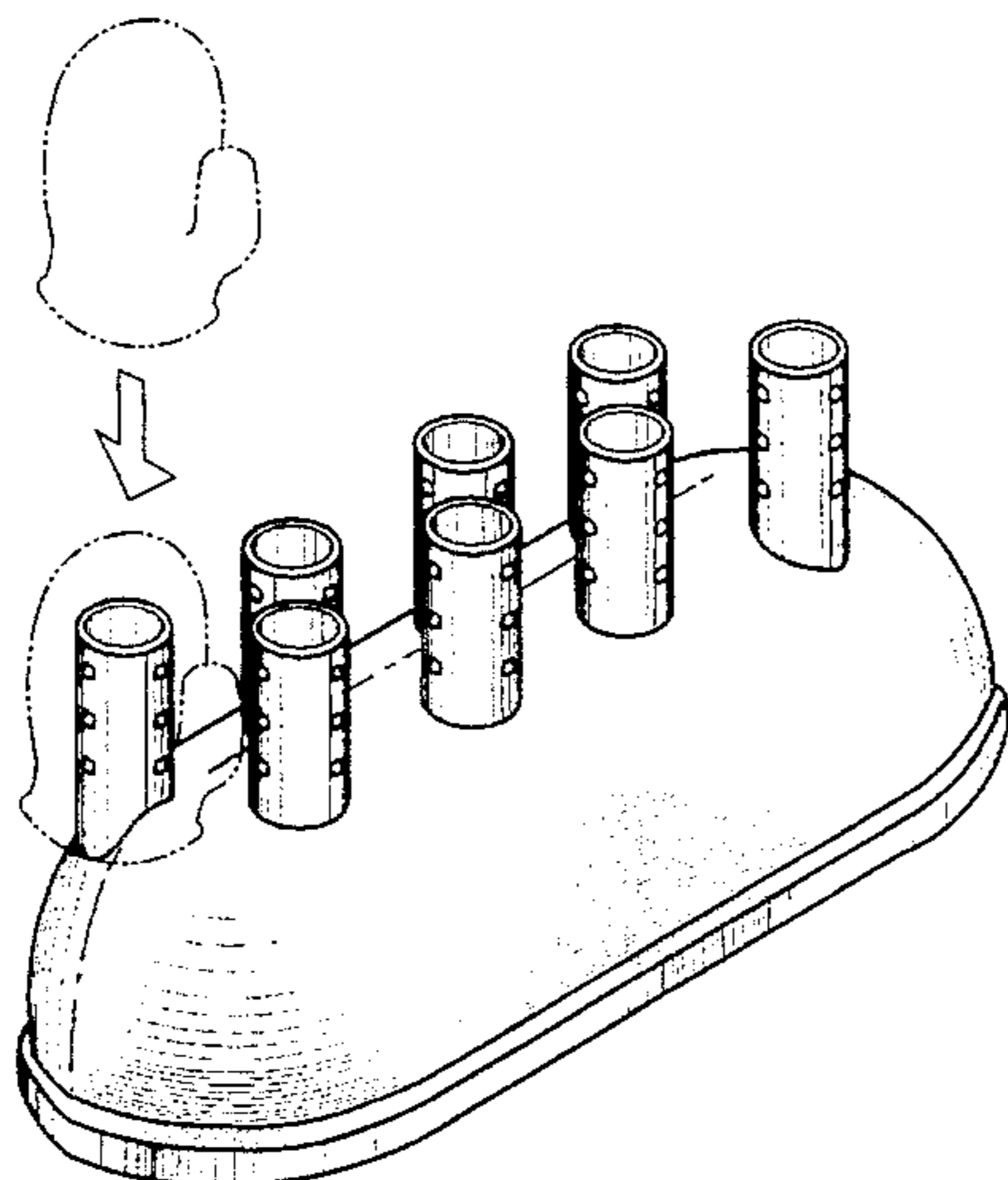
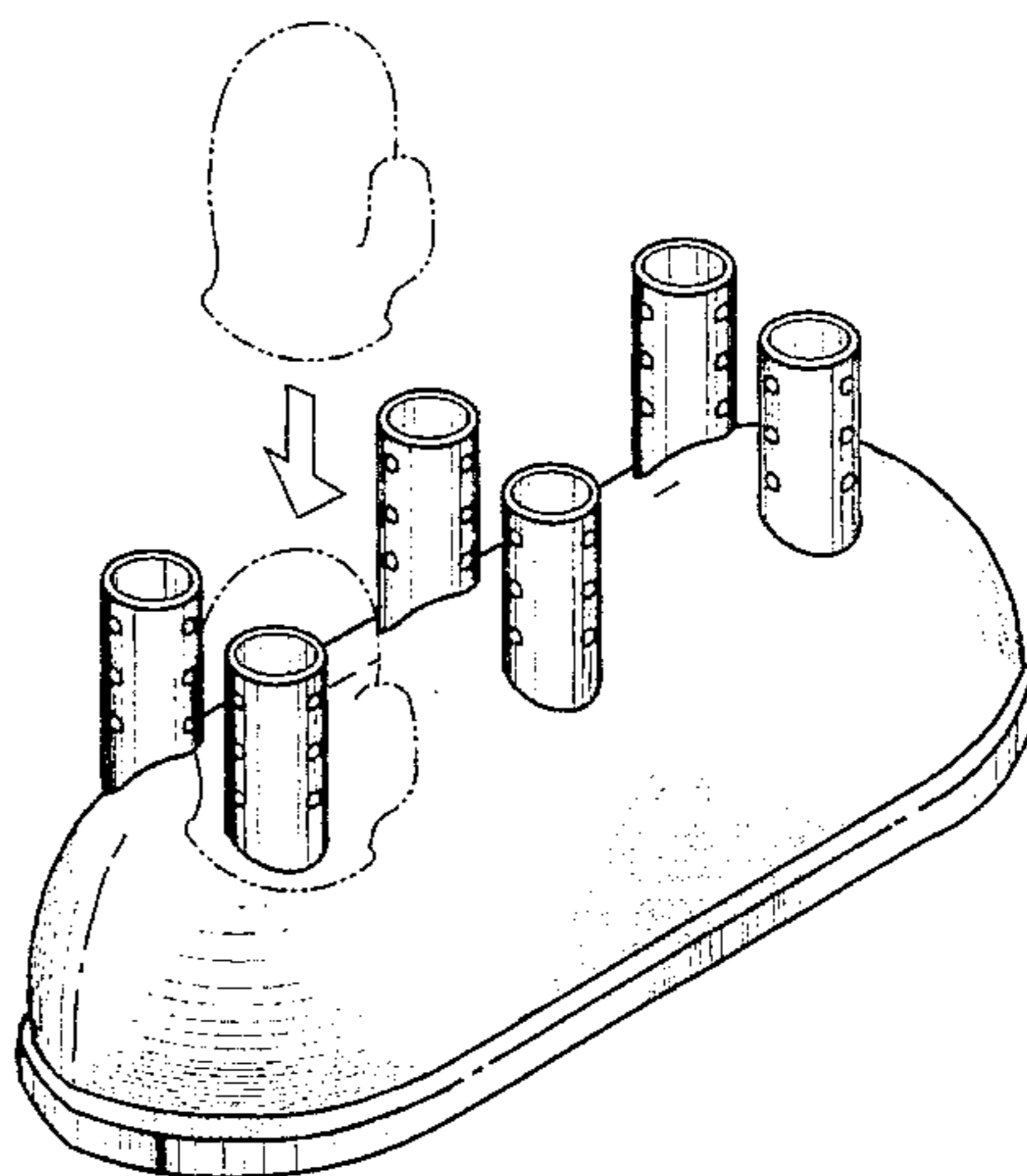
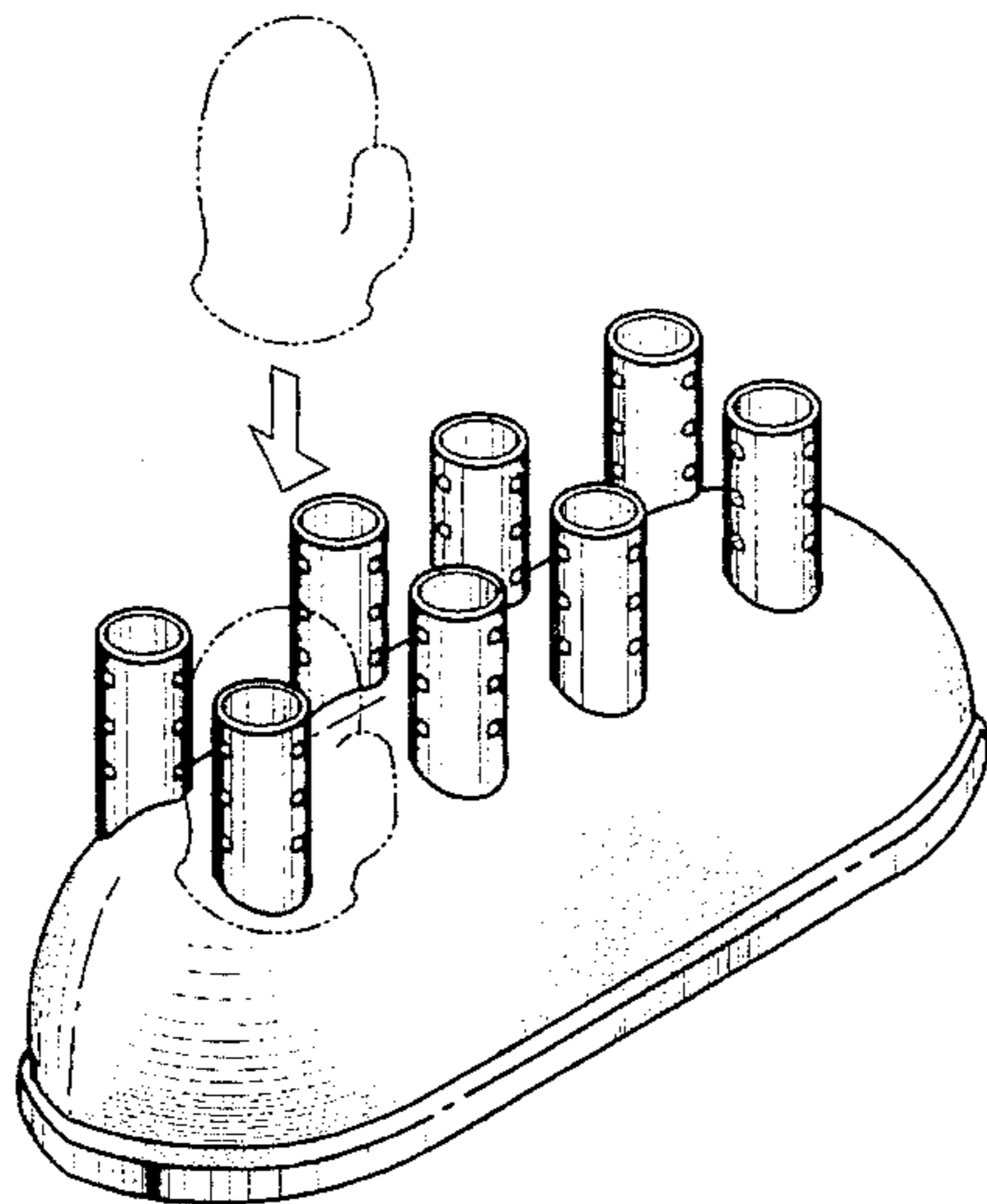
[56] References Cited

U.S. PATENT DOCUMENTS

D. 213,129	1/1969	Schenck	D32/8
D. 272,644	2/1984	Warren et al.	D32/1
D. 327,963	7/1992	Westlake	D32/8
D. 349,788	8/1994	Laferriere et al.	D32/1
4,085,519	4/1978	Masika	34/104
4,136,464	1/1979	Hay	34/104
4,265,030	5/1981	Smallegan	34/104
4,596,078	6/1986	McCartney	34/103
5,406,717	4/1995	Dofka	34/104

Primary Examiner—Ruth McInroy

1 Claim, 6 Drawing Sheets



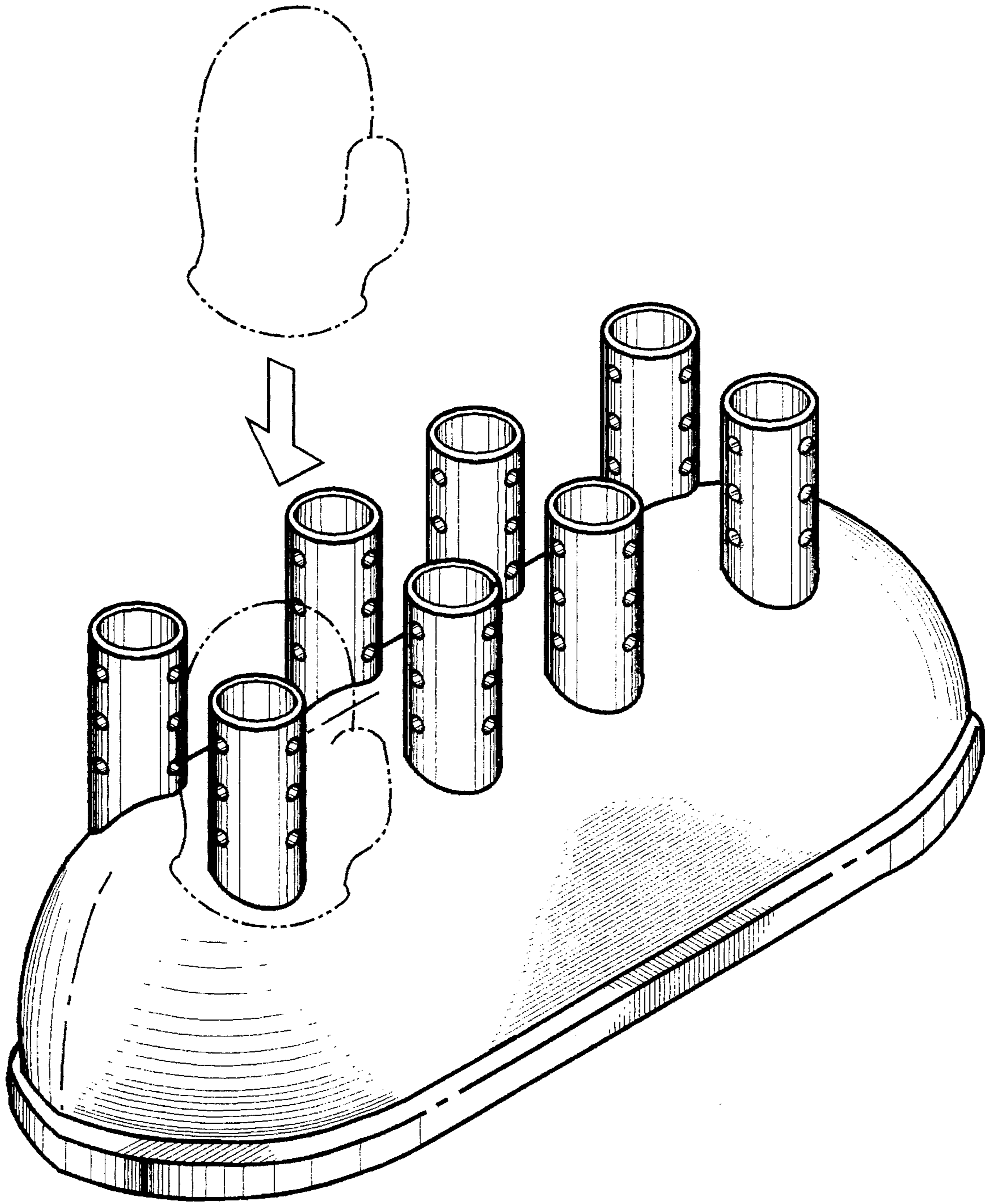


FIG. 1

FIG. 2

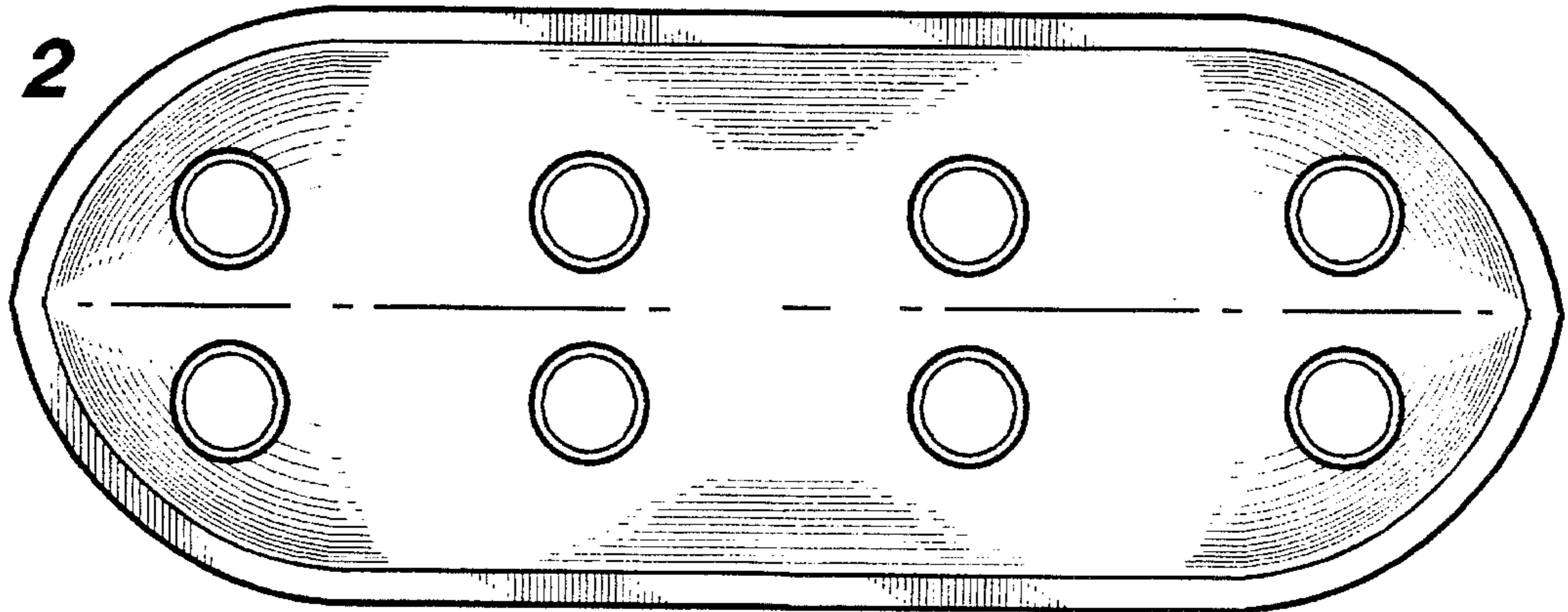


FIG. 3

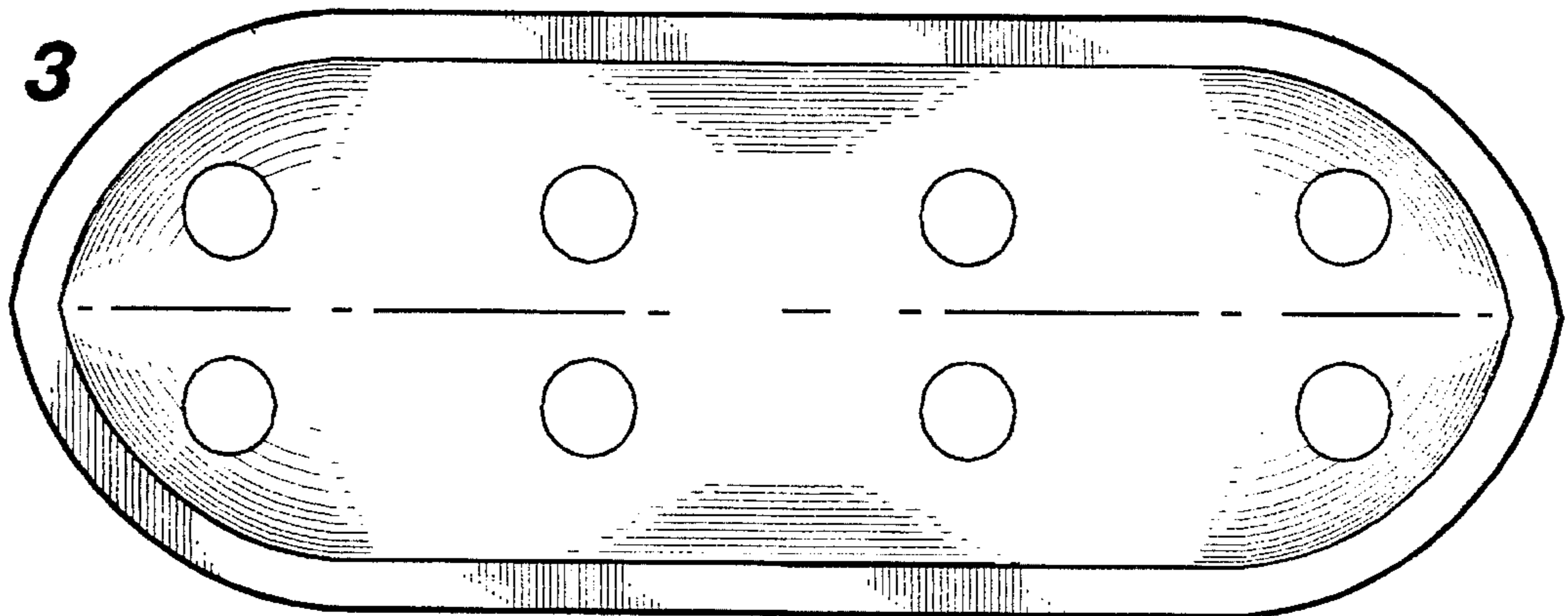


FIG. 4

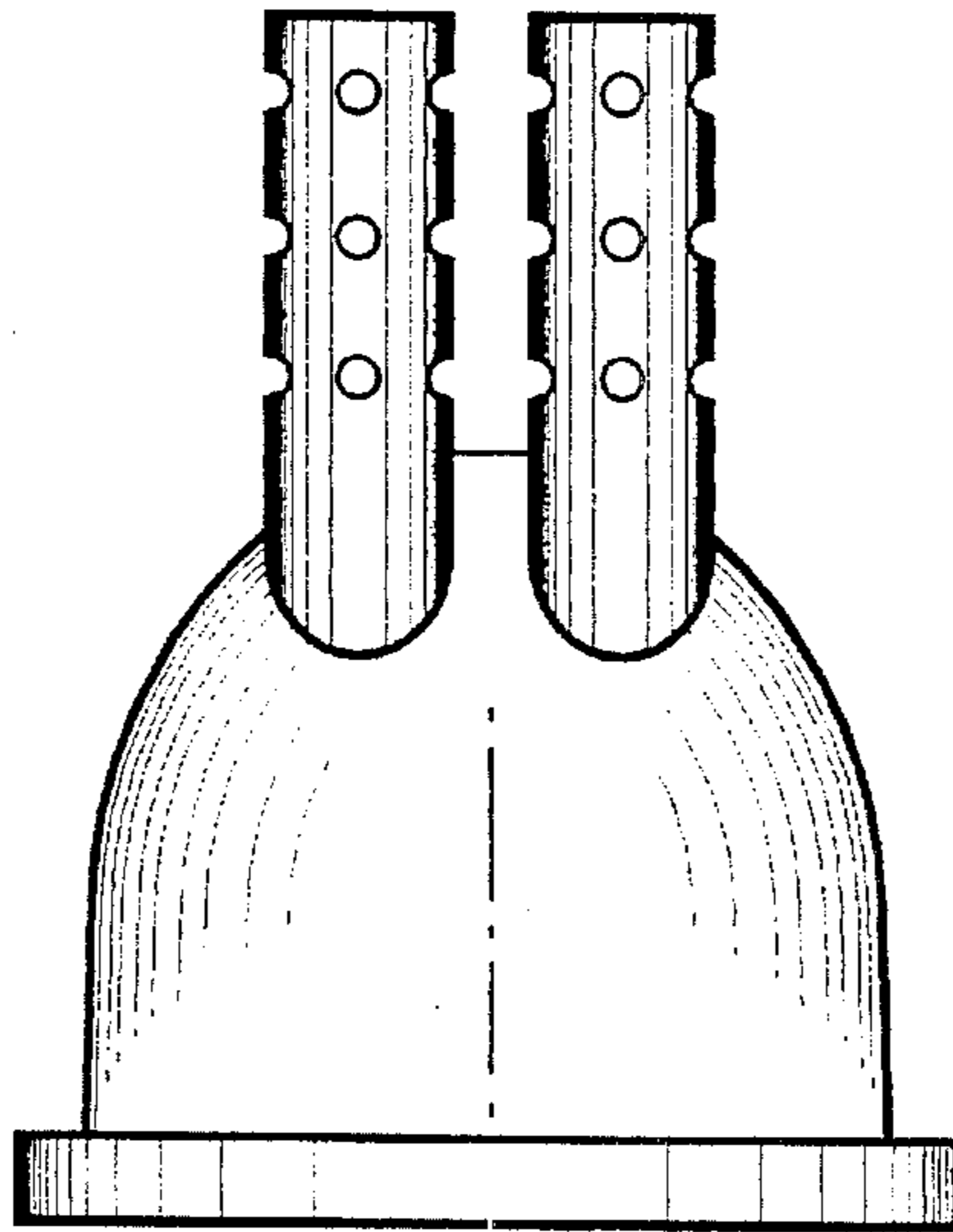
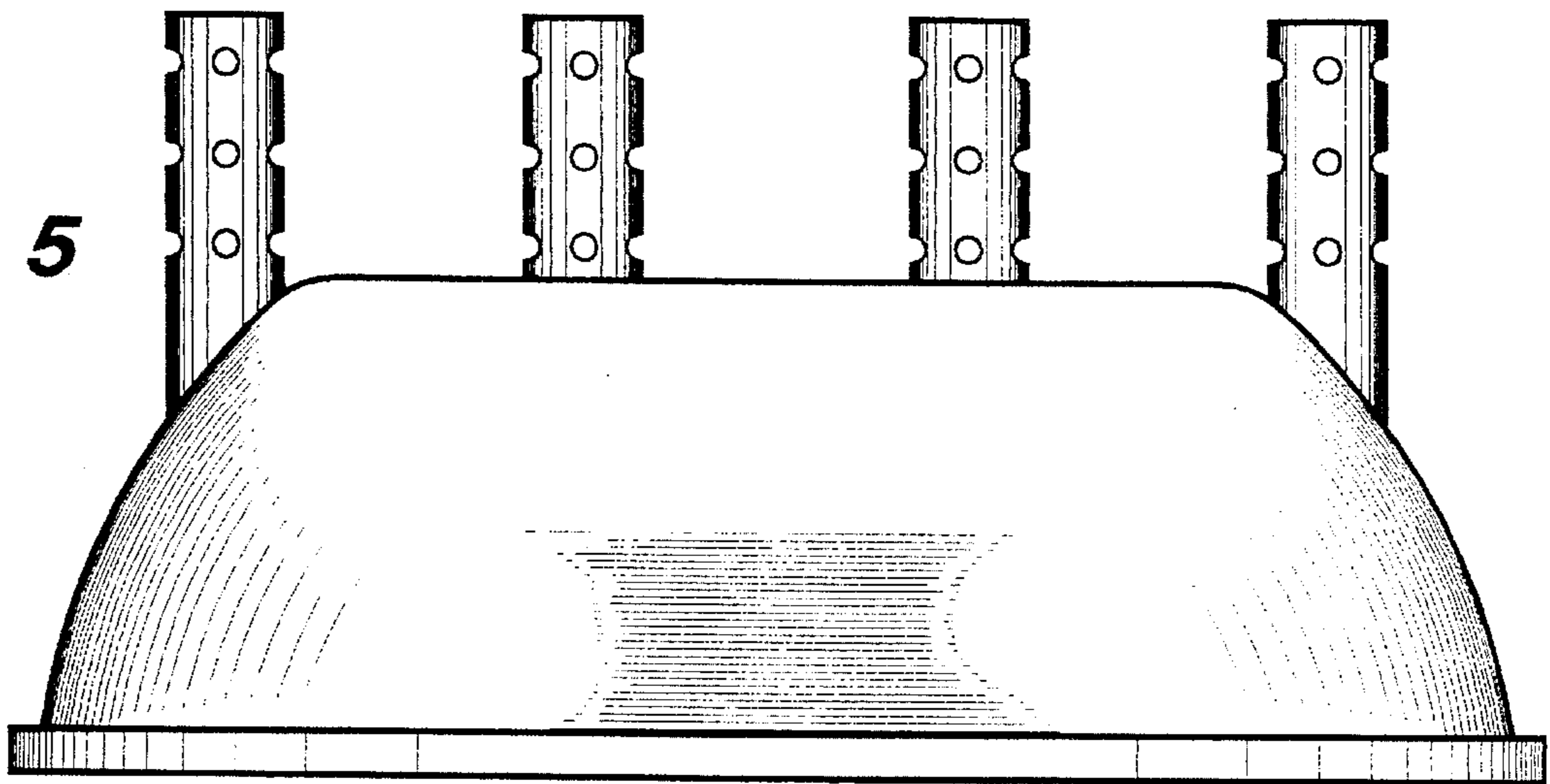


FIG. 5



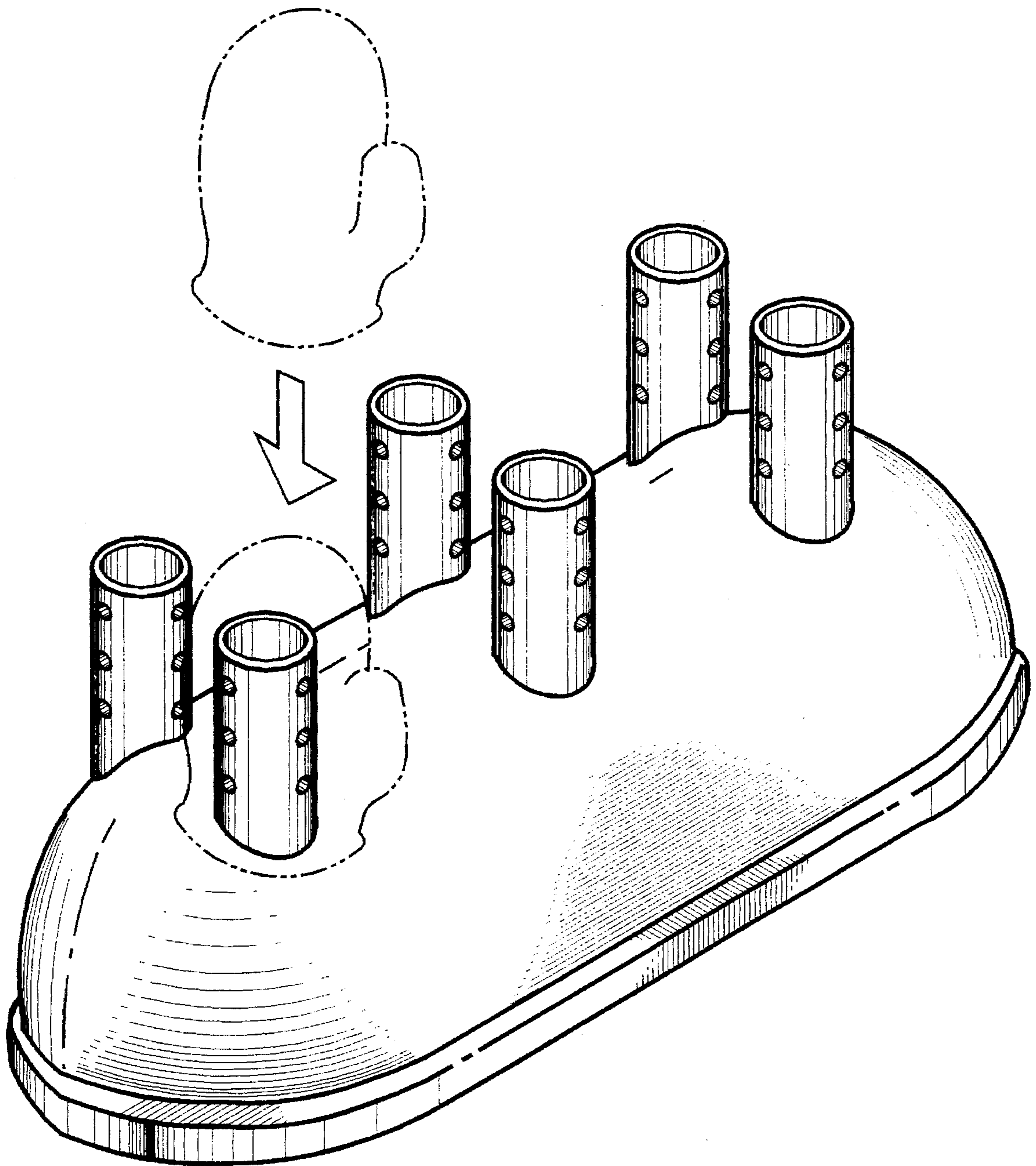


FIG. 6

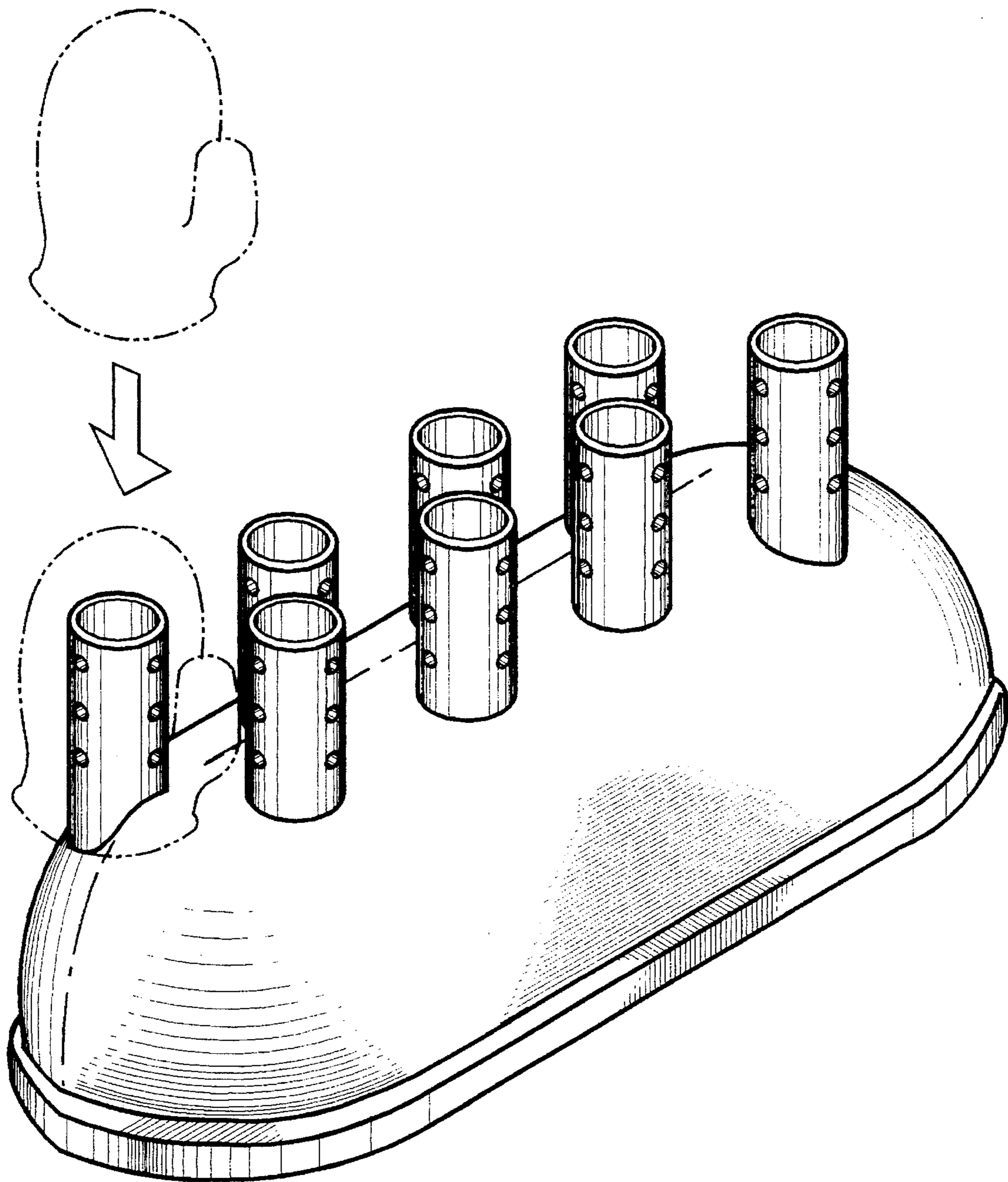


FIG. 7

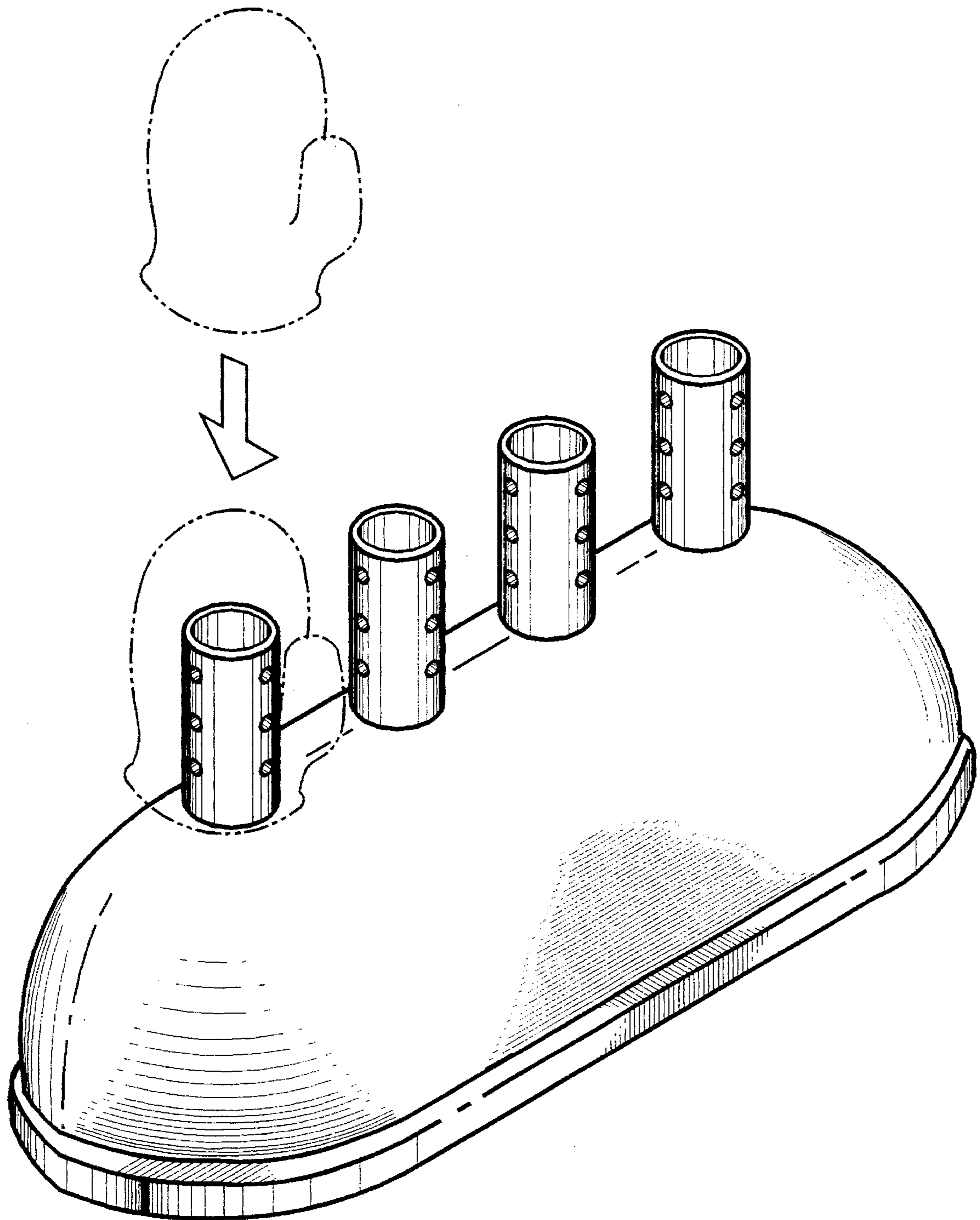


FIG. 8