



US00D372344S

United States Patent [19]

[11] Patent Number: **Des. 372,344**

Alexis

[45] Date of Patent: ****Jul. 30, 1996**

[54] **BIRD CAGE BACK-PACK**

[57] **CLAIM**

[76] Inventor: **Narejie L. Alexis**, 468 Winslow Ave., Buffalo, N.Y. 14211

The ornamental design for a bird cage pack-back, as shown and described.

[**] Term: **14 Years**

DESCRIPTION

[21] Appl. No.: **35,122**

FIG. 1 is a perspective view of a bird cage back-pack showing my new design;

[22] Filed: **Feb. 21, 1995**

FIG. 2 is a right side elevational view of the bird cage back-pack of FIG. 1;

[52] U.S. Cl. **D30/114; D30/116; D30/144**

FIG. 3 is a top plan view of the bird cage back-pack of FIG. 1;

[58] Field of Search **D30/109, 110, D30/114, 115, 116, 117, 119, 120, 144; 119/17, 19, 96; 224/158-161**

FIG. 4 is a front elevational view of the bird cage back-pack of FIG. 1;

[56] References Cited

FIG. 5 is a rear elevational view of the bird cage back-pack of FIG. 1; and

U.S. PATENT DOCUMENTS

| | | | | |
|------------|---------|--------------|---------|---|
| D. 67,555 | 6/1925 | Schuetze | 119/17 | X |
| D. 262,153 | 12/1981 | Fuerst | D30/116 | |
| D. 322,695 | 12/1991 | LaDue | D30/109 | X |
| D. 334,253 | 3/1993 | Balzarini | D30/144 | |
| 459,216 | 9/1891 | Sumner | 119/17 | |
| 3,467,064 | 9/1969 | Glass et al. | 119/17 | |
| 3,834,352 | 9/1974 | Gervis | 119/17 | |

FIG. 6 is a bottom plan view of the bird cage back-pack of FIG. 1; and,

FIG. 7 is a left side elevational view of the bird cage back-pack of FIG. 1.

The broken line depiction of the back-pack strap structure shown in FIG. 1 is for illustrative purposes only and forms no part of the claimed design.

Primary Examiner—Martie Thompson
Attorney, Agent, or Firm—Crossetta & Associates

1 Claim, 2 Drawing Sheets

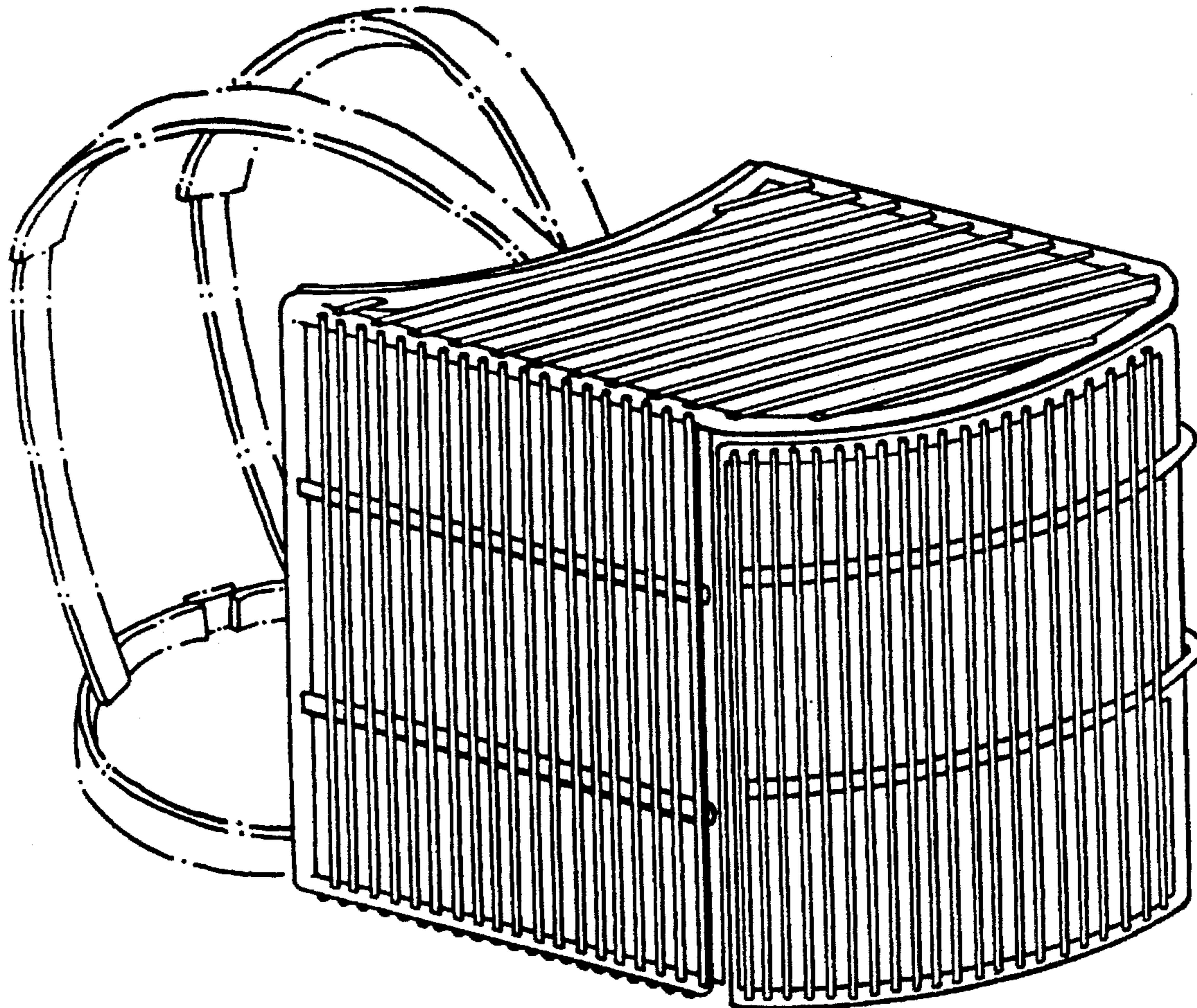


FIG. 1

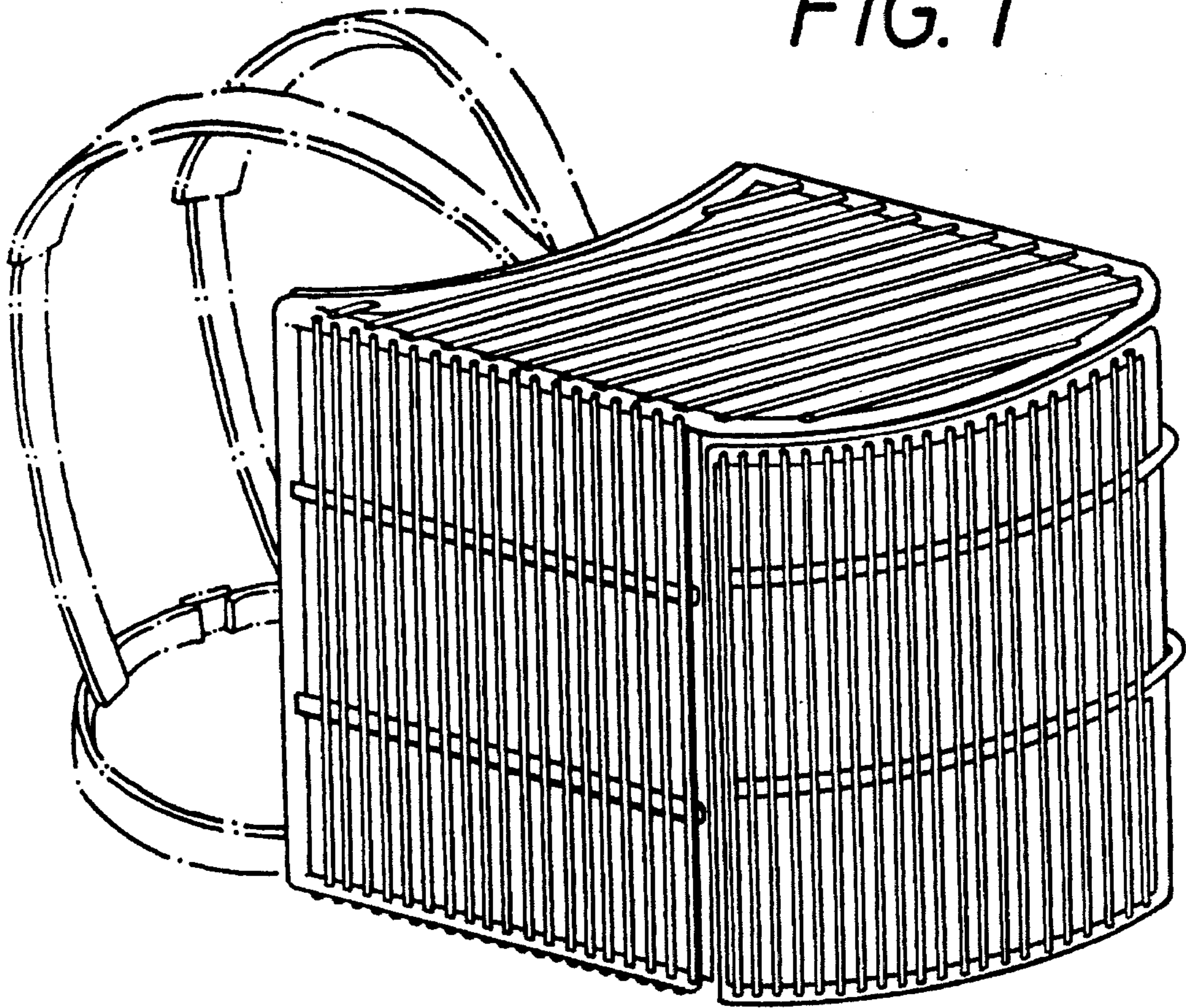


FIG. 2

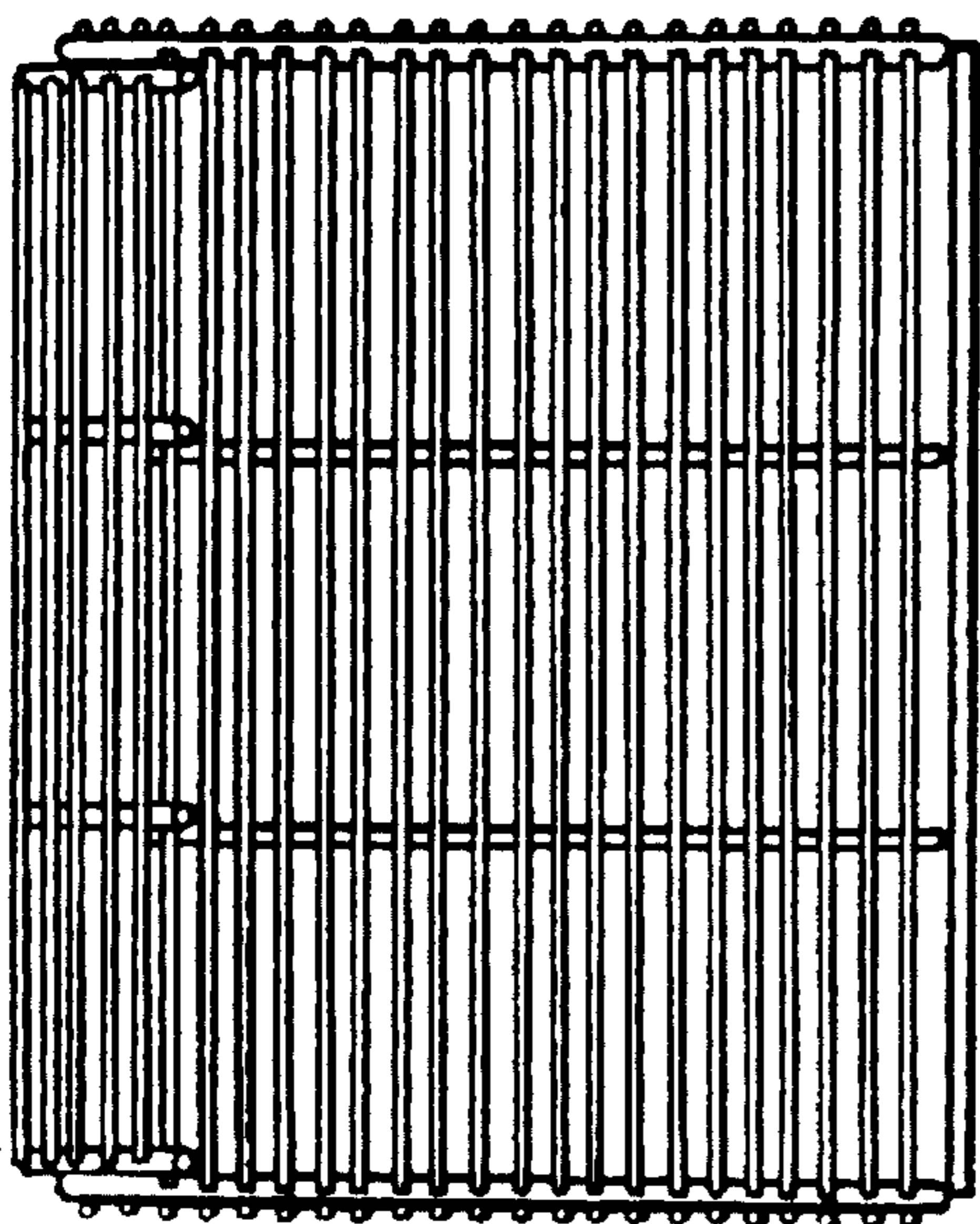


FIG. 7

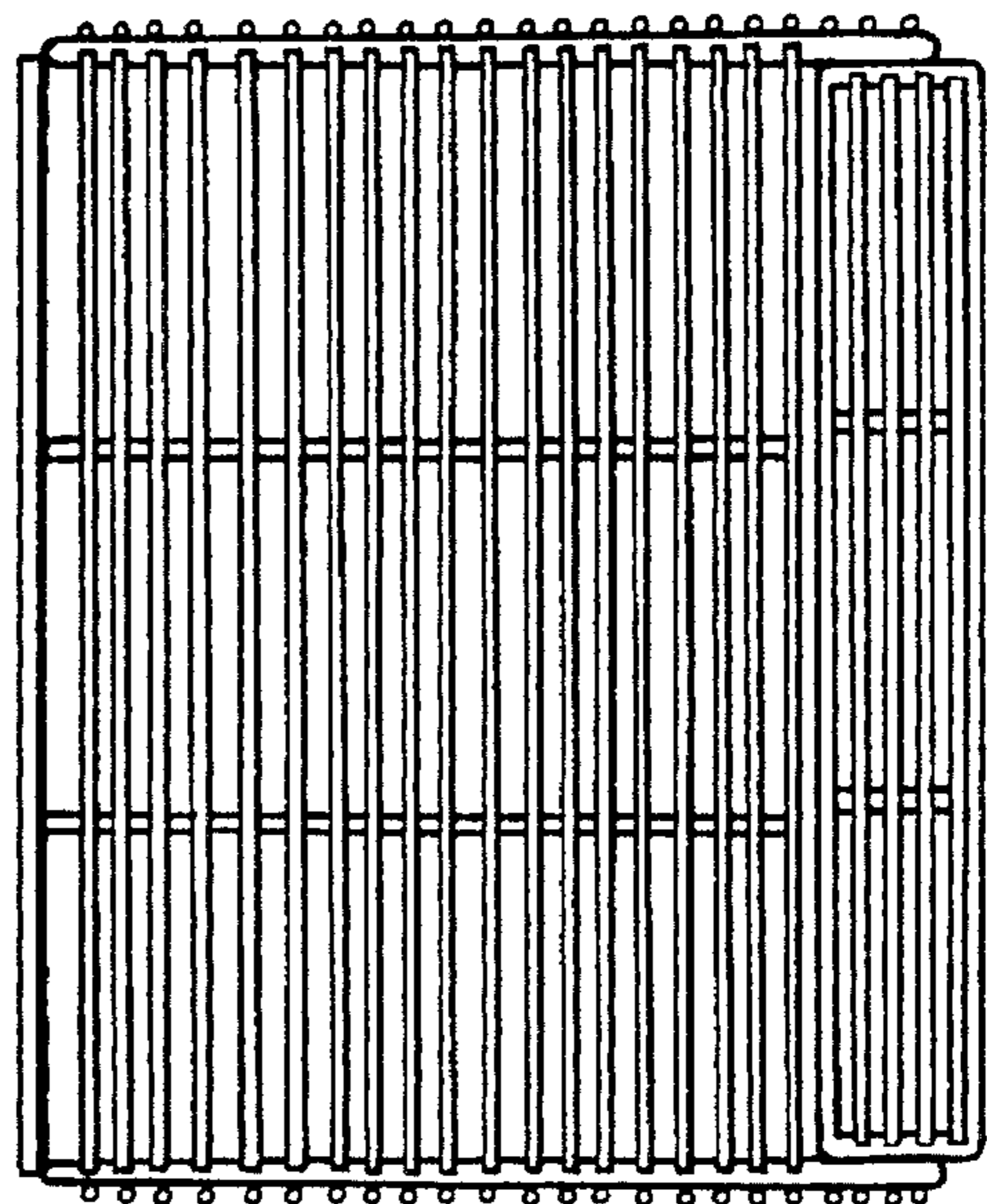


FIG. 3

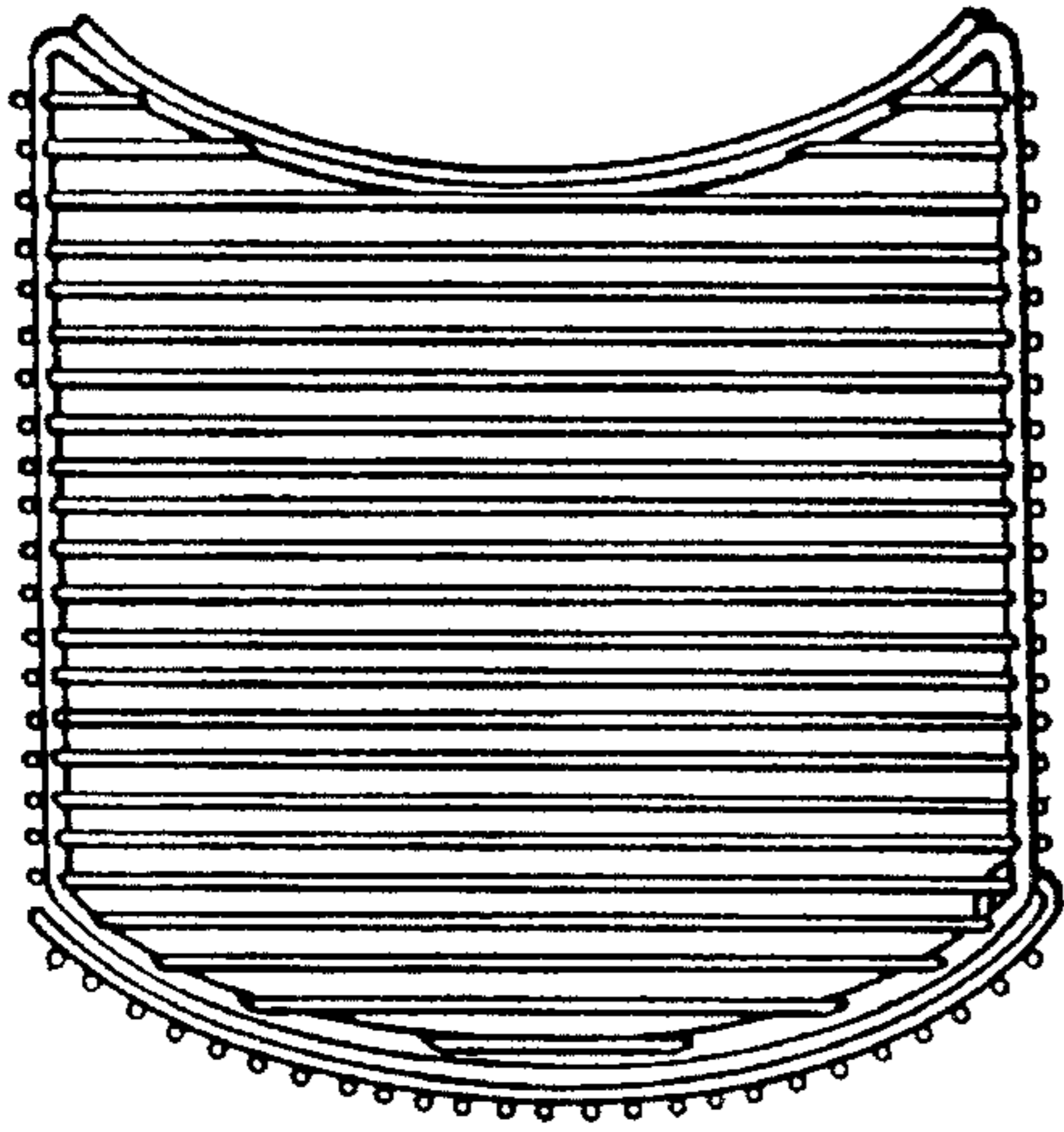


FIG. 4

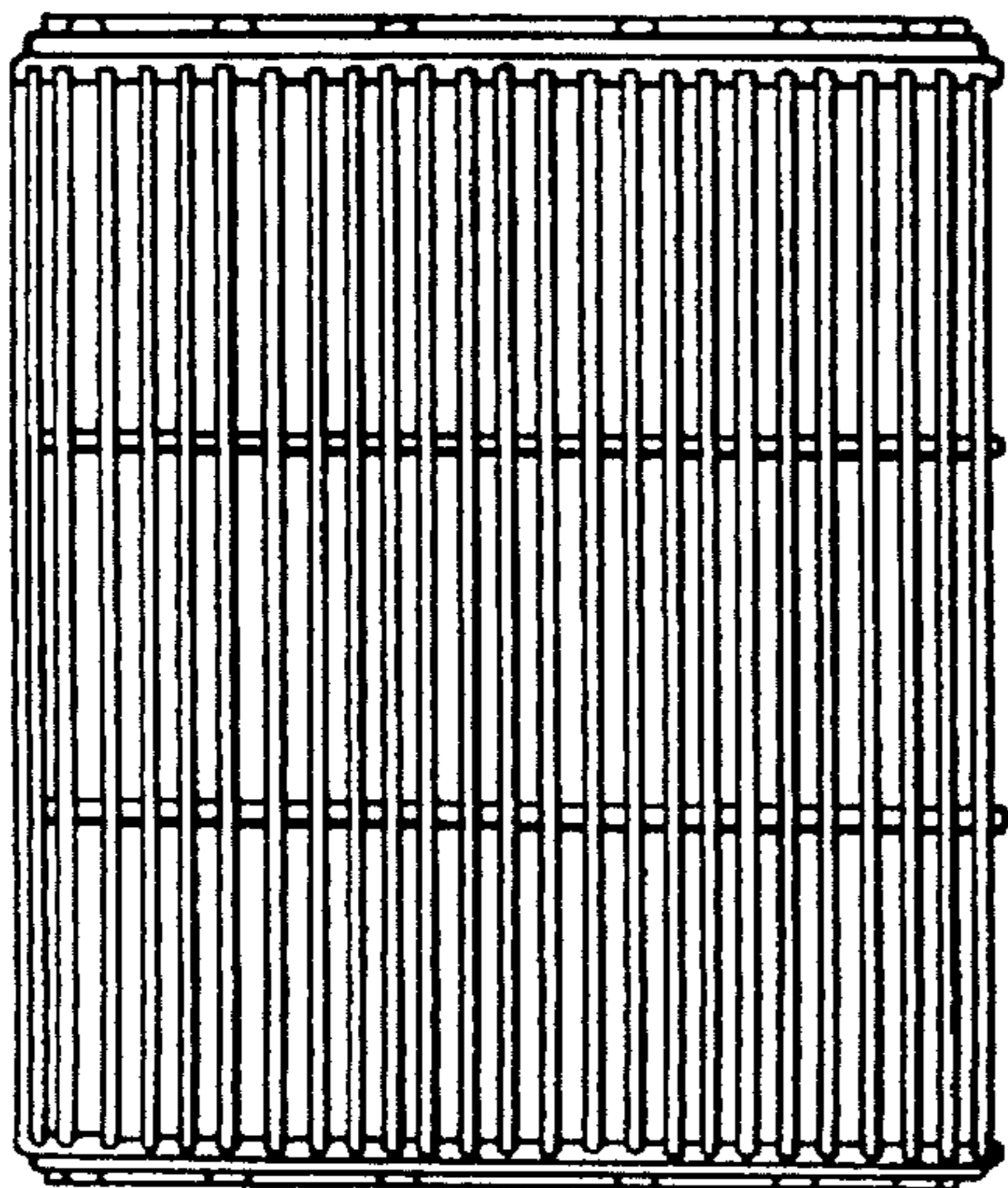


FIG. 5

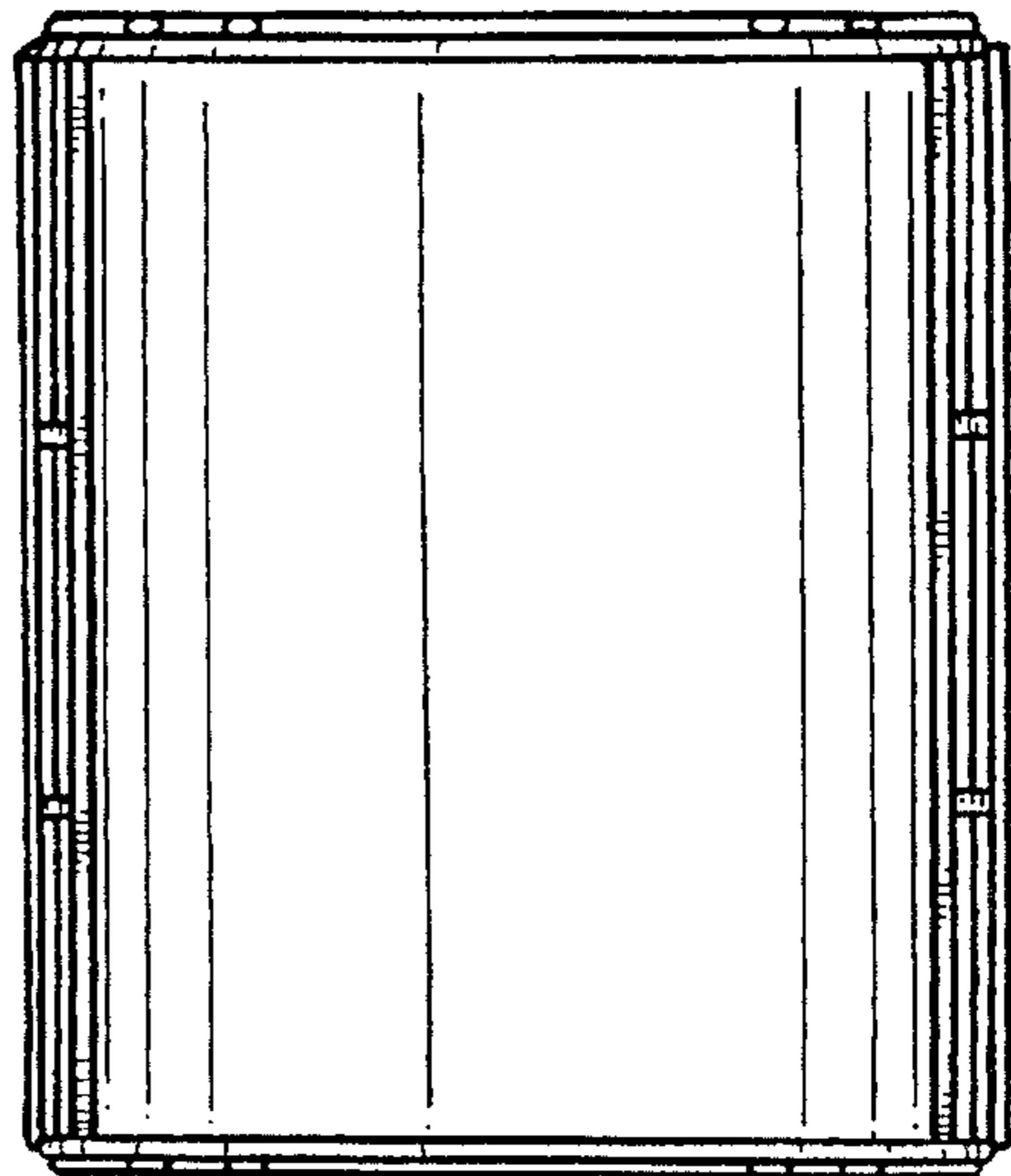


FIG. 6

