



US00D372331S

United States Patent [19]
Cheng

[11] **Patent Number:** **Des. 372,331**

[45] **Date of Patent:** ****Jul. 30, 1996**

[54] **LAMP BASE**

[75] **Inventor:** **Chan-Keng Cheng**, Sanchung, Taiwan

[73] **Assignee:** **Donguan Juguan Metal Lighting
Factory Co., Ltd.**, China

[**] **Term:** **14 Years**

[21] **Appl. No.:** **40,721**

[22] **Filed:** **Jun. 26, 1995**

[52] **U.S. Cl.** **D26/142; D8/352**

[58] **Field of Search** **D26/142, 143,
D26/145, 152, 72, 80, 85, 87, 92; 362/147,
432; D8/352**

[56] **References Cited**

U.S. PATENT DOCUMENTS

- D. 326,806 6/1992 Marques D8/352
- D. 358,680 5/1995 Chen D26/142

Primary Examiner—Susan J. Lucas

Attorney, Agent, or Firm—Finnegan, Henderson, Farabow,
Garrett & Dunner

[57] **CLAIM**

The ornamental design for lamp base, as shown and described.

DESCRIPTION

FIG. 1 is a perspective view of lamp base showing my new design;

FIG. 2 is a front elevational view thereof;

FIG. 3 is a rear elevational view thereof;

FIG. 4 is a left side elevational view thereof;

FIG. 5 is a right side elevational view thereof;

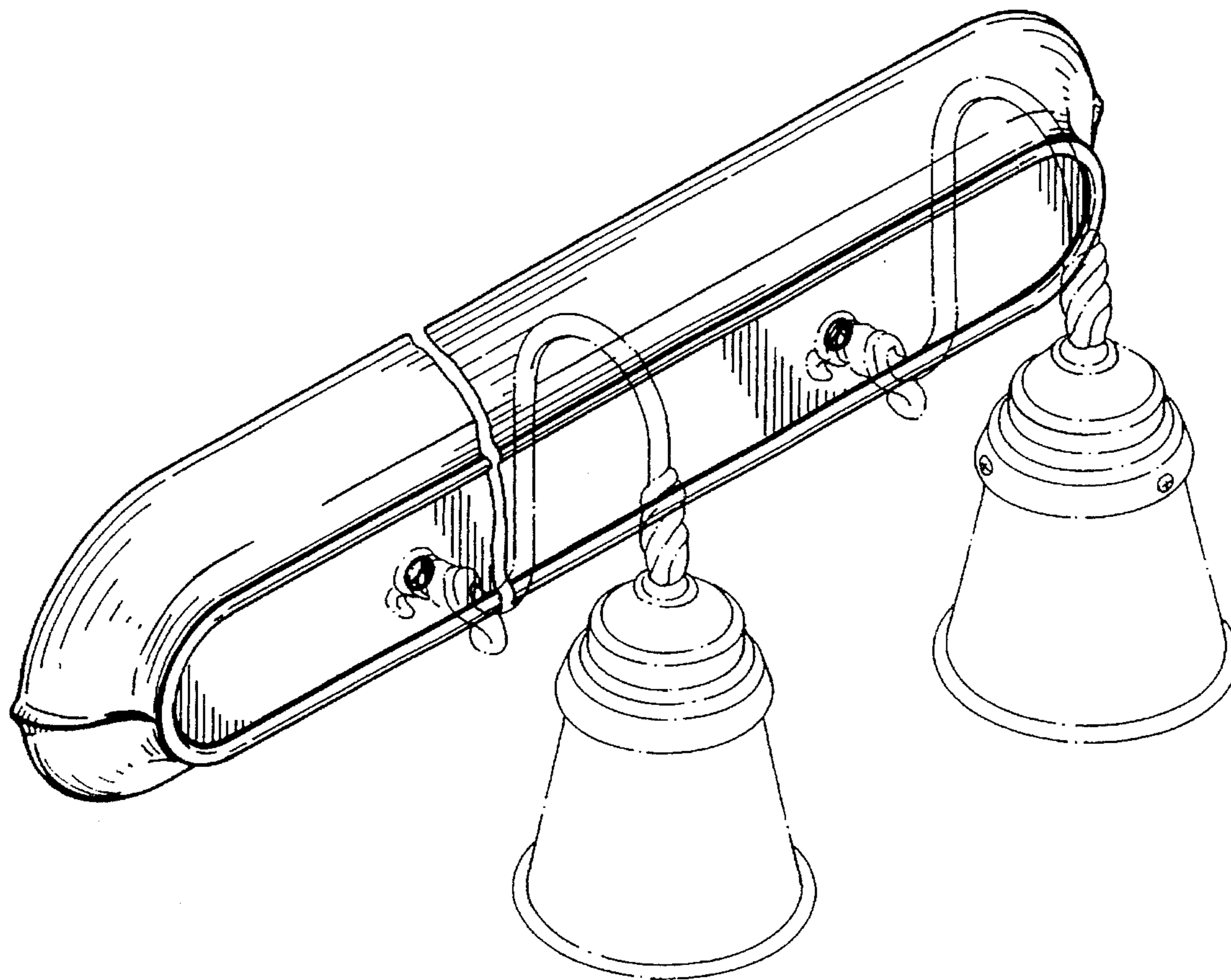
FIG. 6 is a top plan view thereof;

FIG. 7 is a bottom plan view thereof; and,

FIG. 8 is a perspective view thereof when in use.

The lamp base is broken away to indicate indeterminate length. The lamp holders are shown in broken lines in FIG. 8 for illustrative purposes only and forms no part of the claimed design.

1 Claim, 4 Drawing Sheets



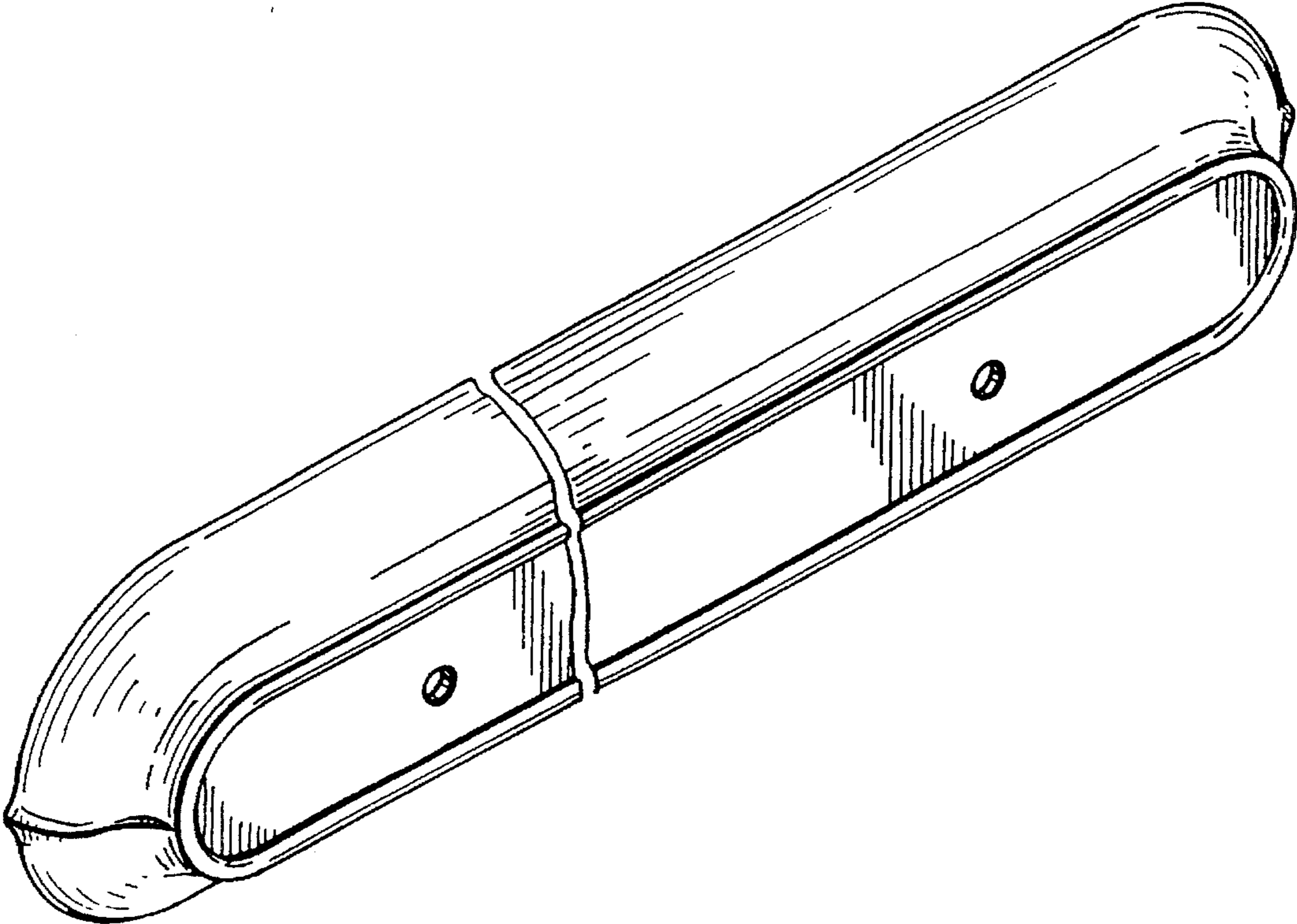


FIG. 1

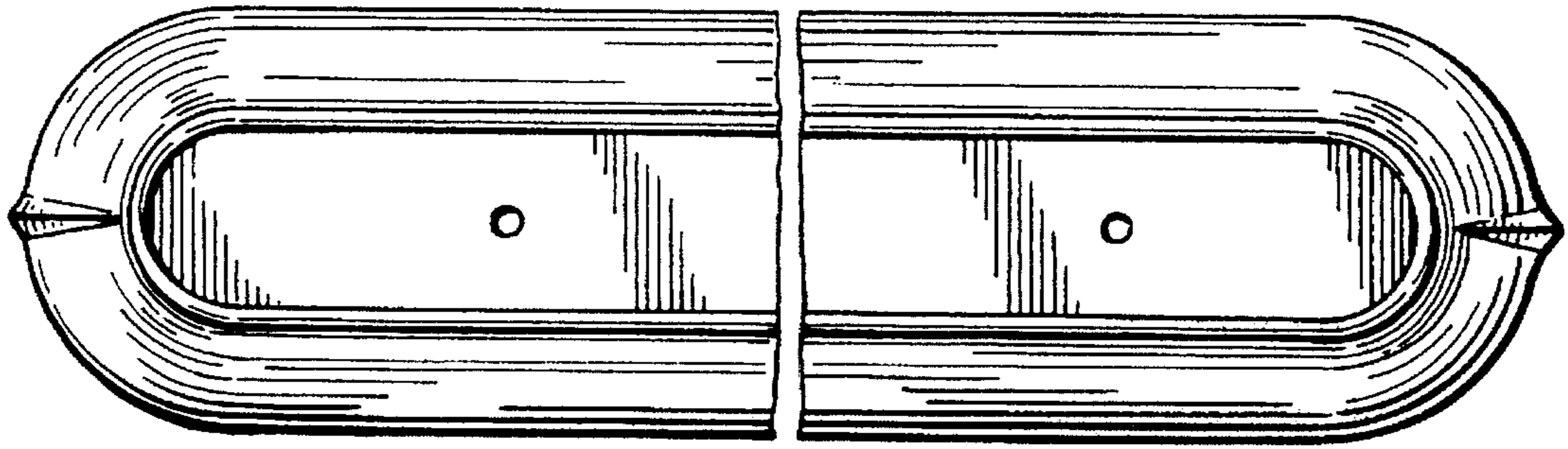


FIG. 2

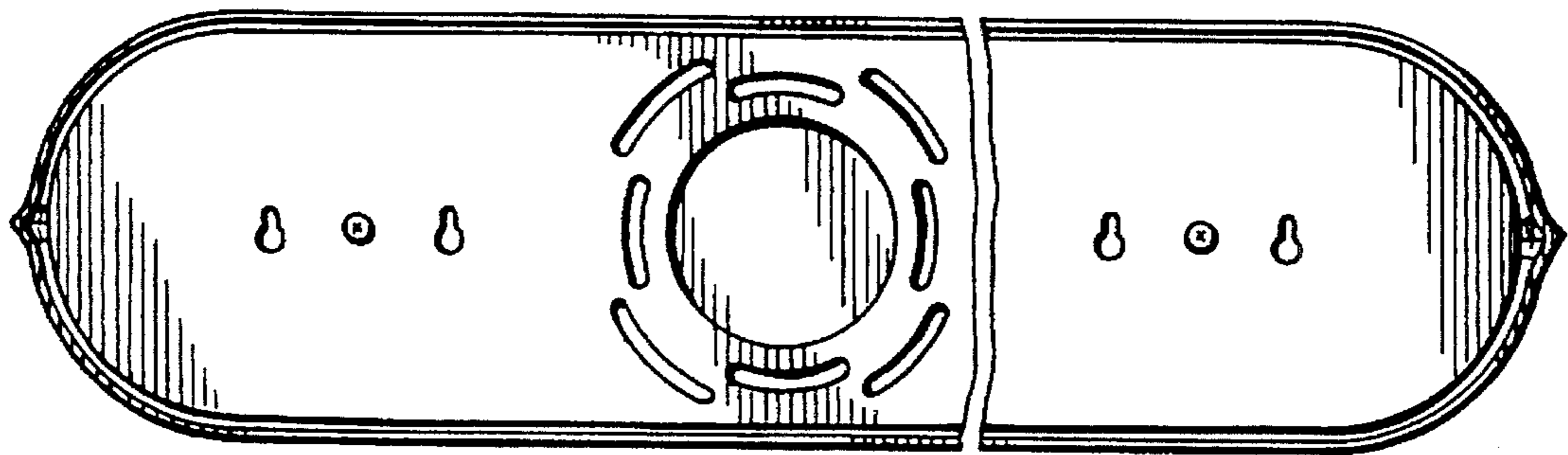


FIG. 3



FIG. 4



FIG. 5

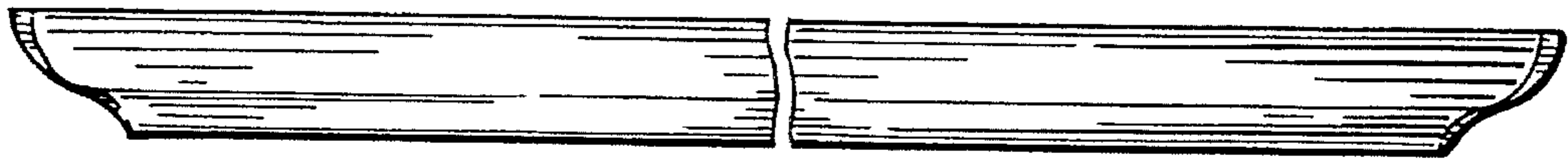


FIG. 6

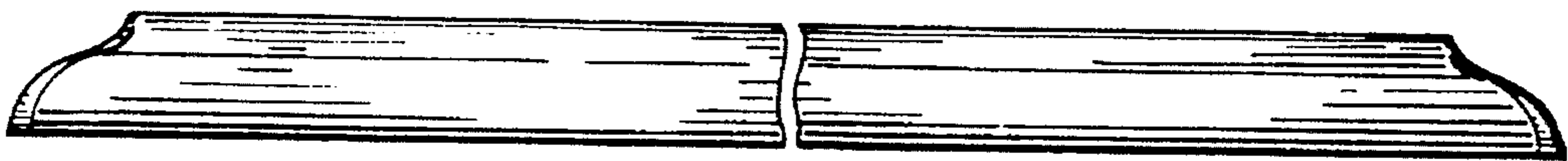


FIG. 7

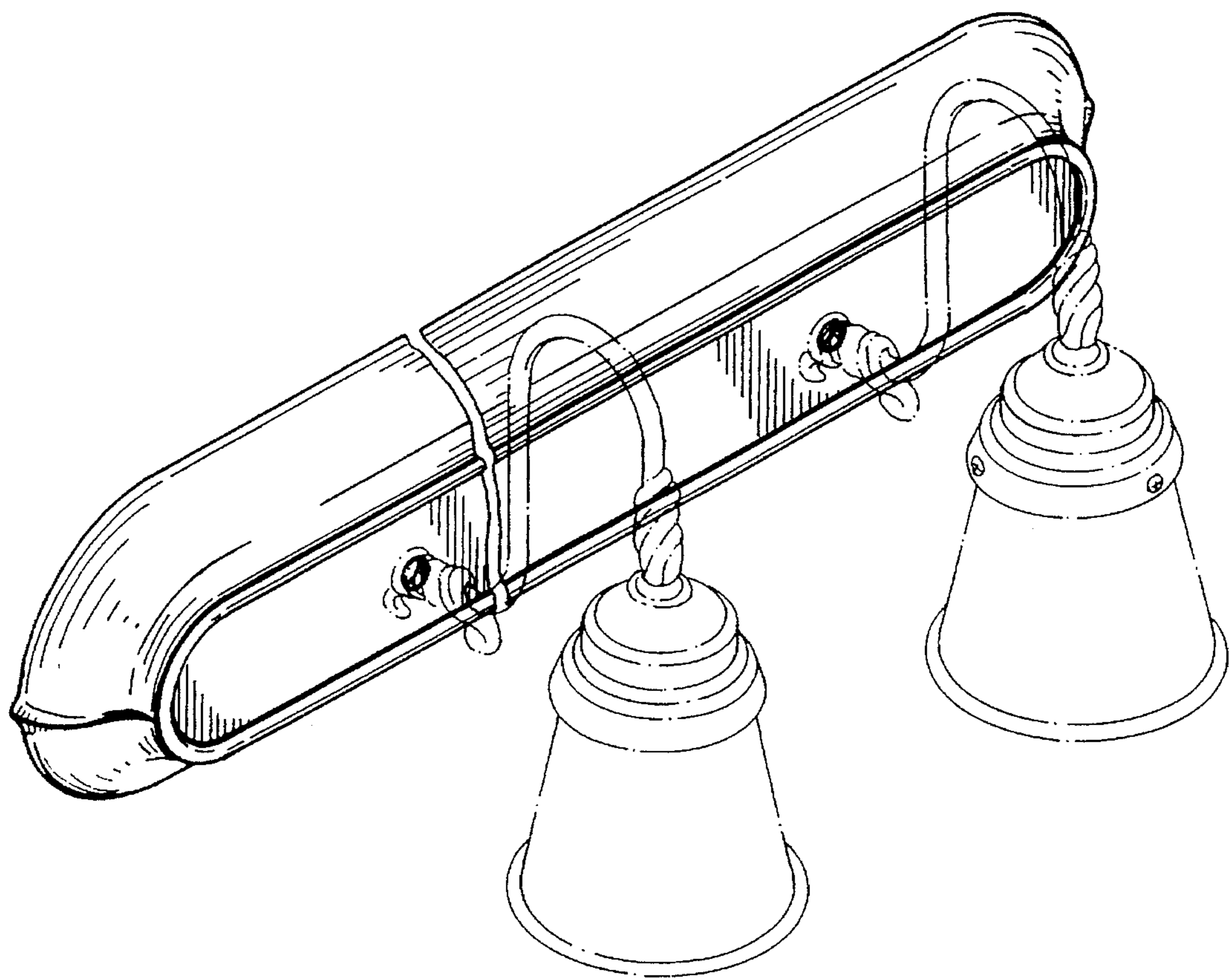


FIG. 8